

US00D495048S1

(12) **United States Design Patent**
Snyder

(10) **Patent No.:** **US D495,048 S**

(45) **Date of Patent:** **** Aug. 24, 2004**

(54) **POKE THROUGH COMPONENTS**

(75) **Inventor:** **Darryl L. Snyder**, Canton, OH (US)

(73) **Assignee:** **SGC Technologies, L.L.C.**, Canton, OH (US)

(**) **Term:** **14 Years**

(21) **Appl. No.:** **29/194,262**

(22) **Filed:** **Nov. 20, 2003**

(51) **LOC (7) Cl.** **23-04**

(52) **U.S. Cl.** **D23/393**

(58) **Field of Search** D23/354, 314,
D23/329, 386-387, 393, 421, 499; 454/224,
227, 380, 906, 283-284, 307, 309, 370,
330-331; 138/106, 128, 172, 155-156,
177-178, DIG. 11; 55/502

(56) **References Cited**

U.S. PATENT DOCUMENTS

343,025 A	6/1886	Gordon et al.	
403,564 A	5/1889	Sullivan	
641,580 A	1/1900	Cummins	
1,776,656 A	9/1930	Frederickson	
1,992,574 A	* 2/1935	Jenkins	138/156
3,460,322 A	* 8/1969	Rivers et al.	55/502
3,740,934 A	* 6/1973	Shuler	55/502
4,020,875 A	* 5/1977	Akiba	138/128
4,174,126 A	11/1979	Hauff	
4,429,497 A	2/1984	Dibernardi	
4,467,914 A	* 8/1984	Trammel et al.	138/155
4,607,469 A	8/1986	Harrison	
4,711,160 A	* 12/1987	Witten et al.	454/283
4,712,342 A	12/1987	Legerius et al.	
4,765,375 A	* 8/1988	Nakajima	138/155

4,773,197 A	9/1988	Sullivan	
4,817,348 A	4/1989	Wydra	
4,858,520 A	* 8/1989	Prochnow et al.	454/284
4,967,524 A	11/1990	Hull et al.	
5,421,775 A	* 6/1995	Honda	454/283
5,729,938 A	3/1998	Tobias	
D394,901 S	* 6/1998	Governale et al.	D23/354
5,813,706 A	9/1998	Travis	
6,024,127 A	2/2000	Johnson	
6,125,593 A	10/2000	Randolph et al.	
D465,276 S	11/2002	Snyder	

FOREIGN PATENT DOCUMENTS

IT 295401 10/1936

* cited by examiner

Primary Examiner—Robert A Delehanty
(74) *Attorney, Agent, or Firm*—Sand & Sebolt

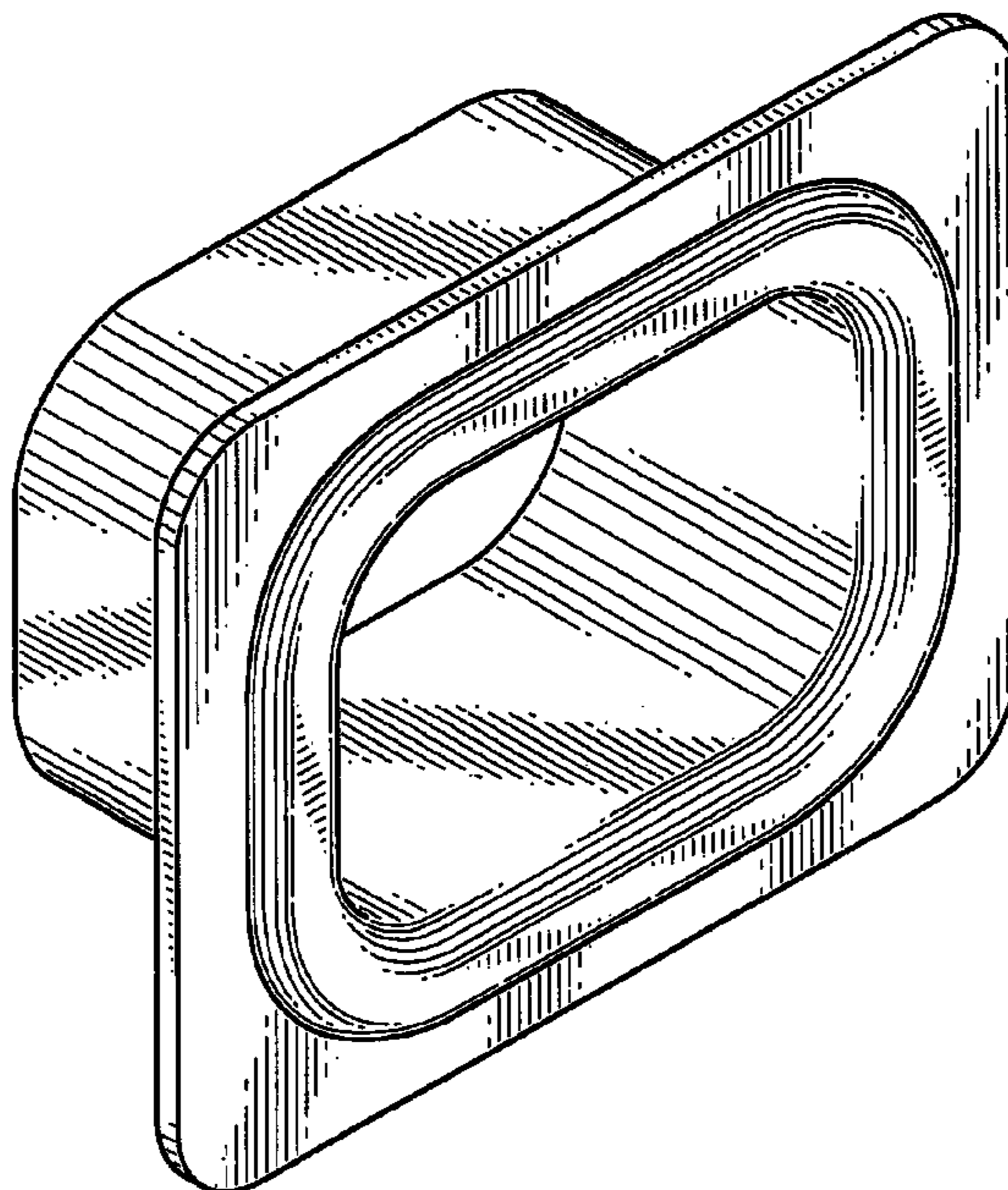
(57) **CLAIM**

The ornamental design for the poke through components, as shown and described.

DESCRIPTION

FIG. 1 is a perspective view of one end cap of poke through showing my new design.
FIG. 2 is a top plan view of FIG. 1.
FIG. 3 is a front elevation view of FIG. 1.
FIG. 4 is a bottom plan view of FIG. 1.
FIG. 5 is a left side elevation view of FIG. 1.
FIG. 6 is a right side elevation view of FIG. 1.
FIG. 7 is a rear elevation view of FIG. 1; and,
FIG. 8 is a perspective view of another end cap for the poke through showing my new design.

1 Claim, 4 Drawing Sheets



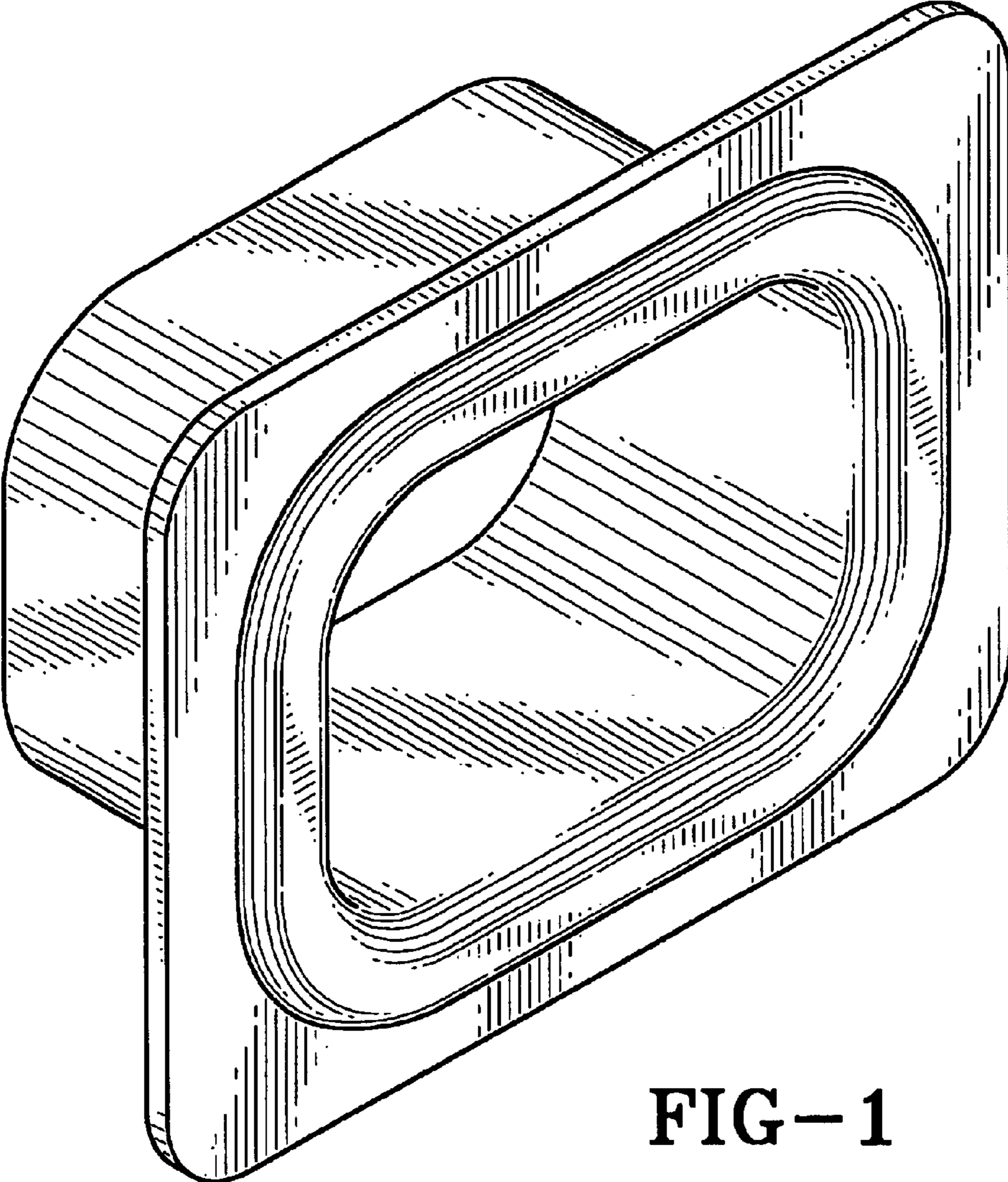


FIG-1

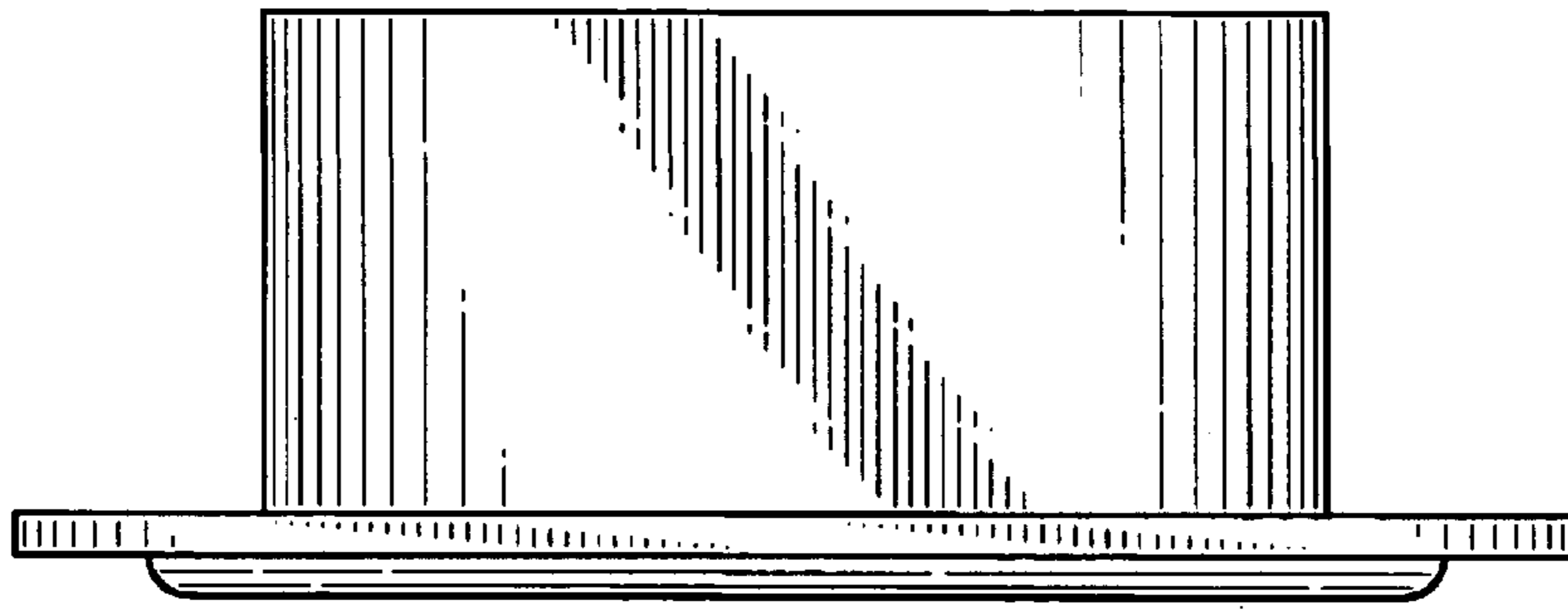


FIG-2

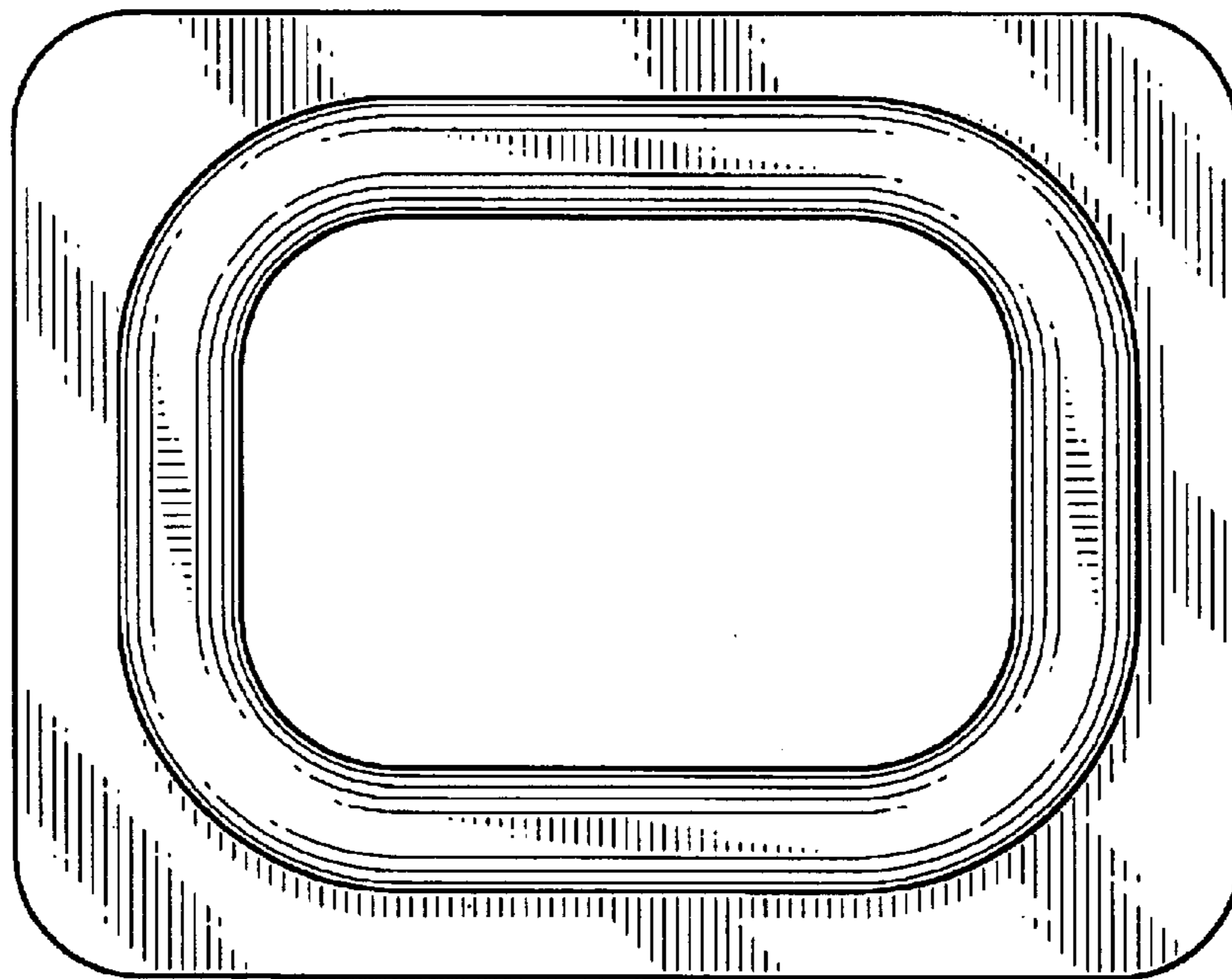


FIG-3

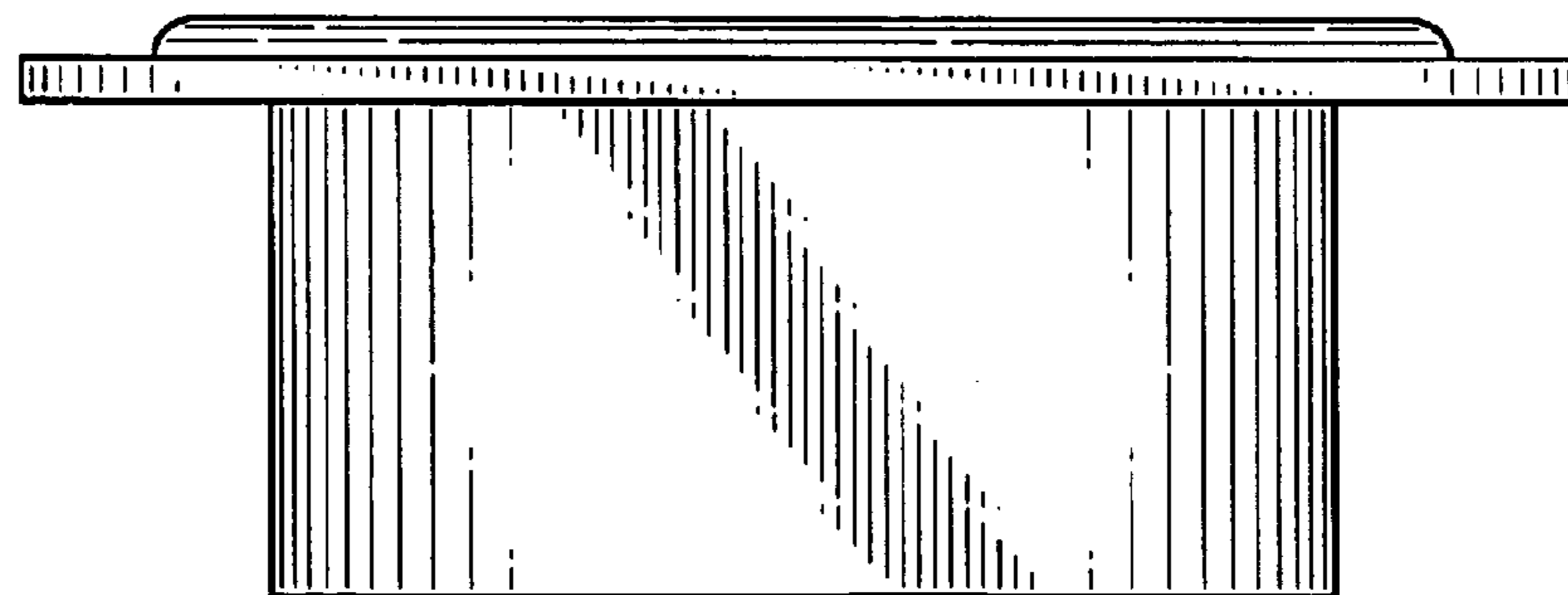


FIG-4

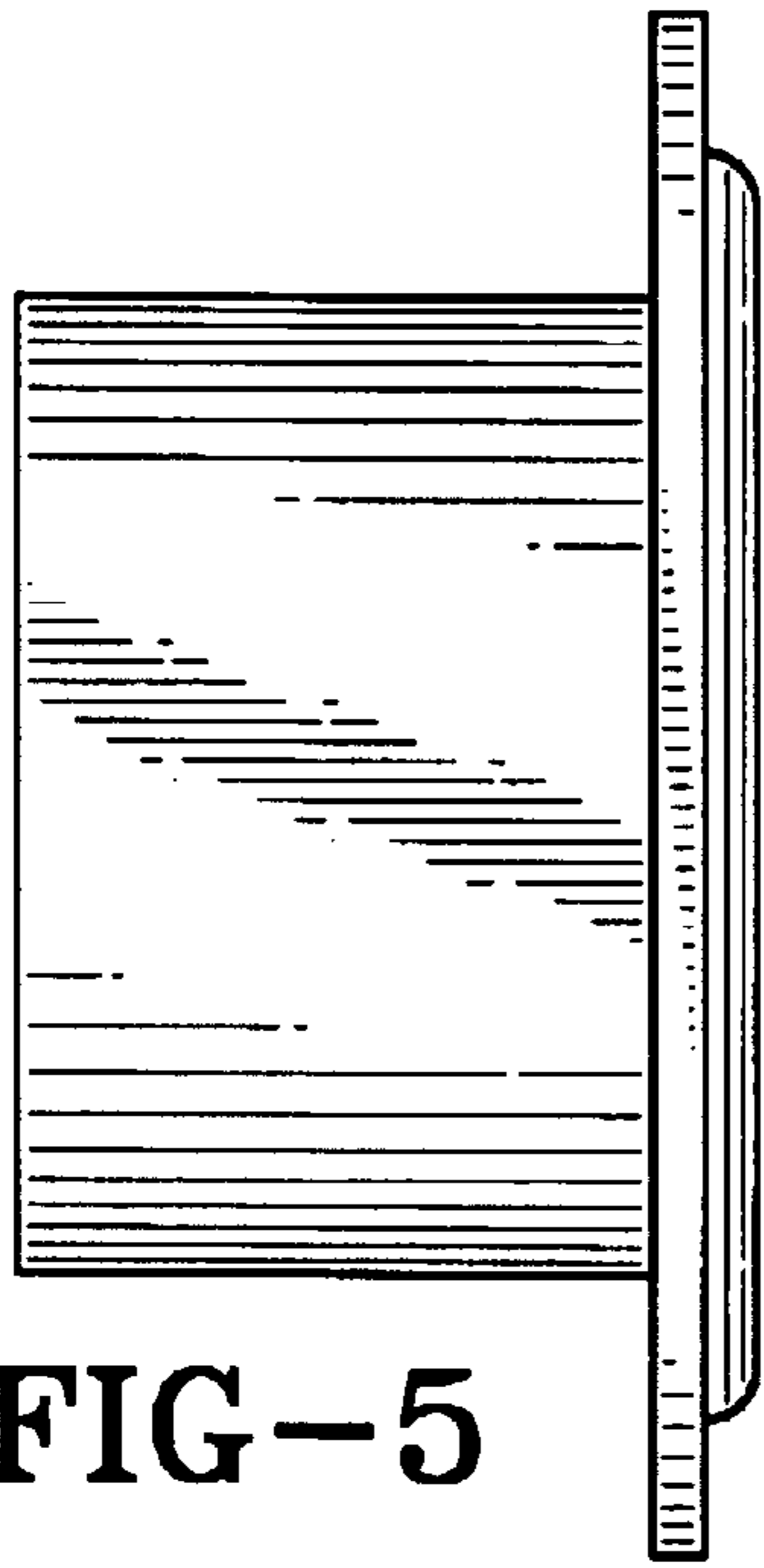


FIG-5

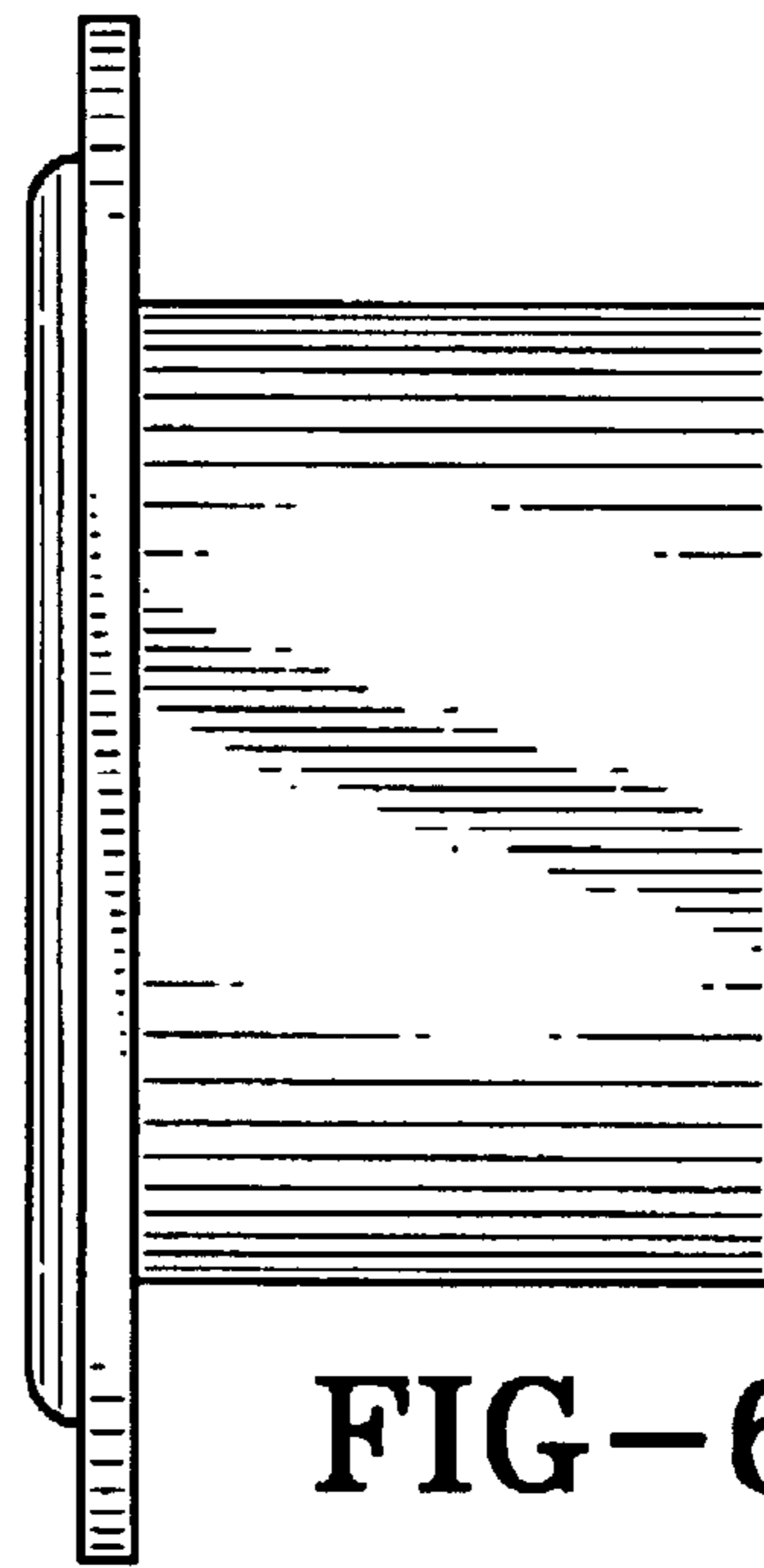


FIG-6

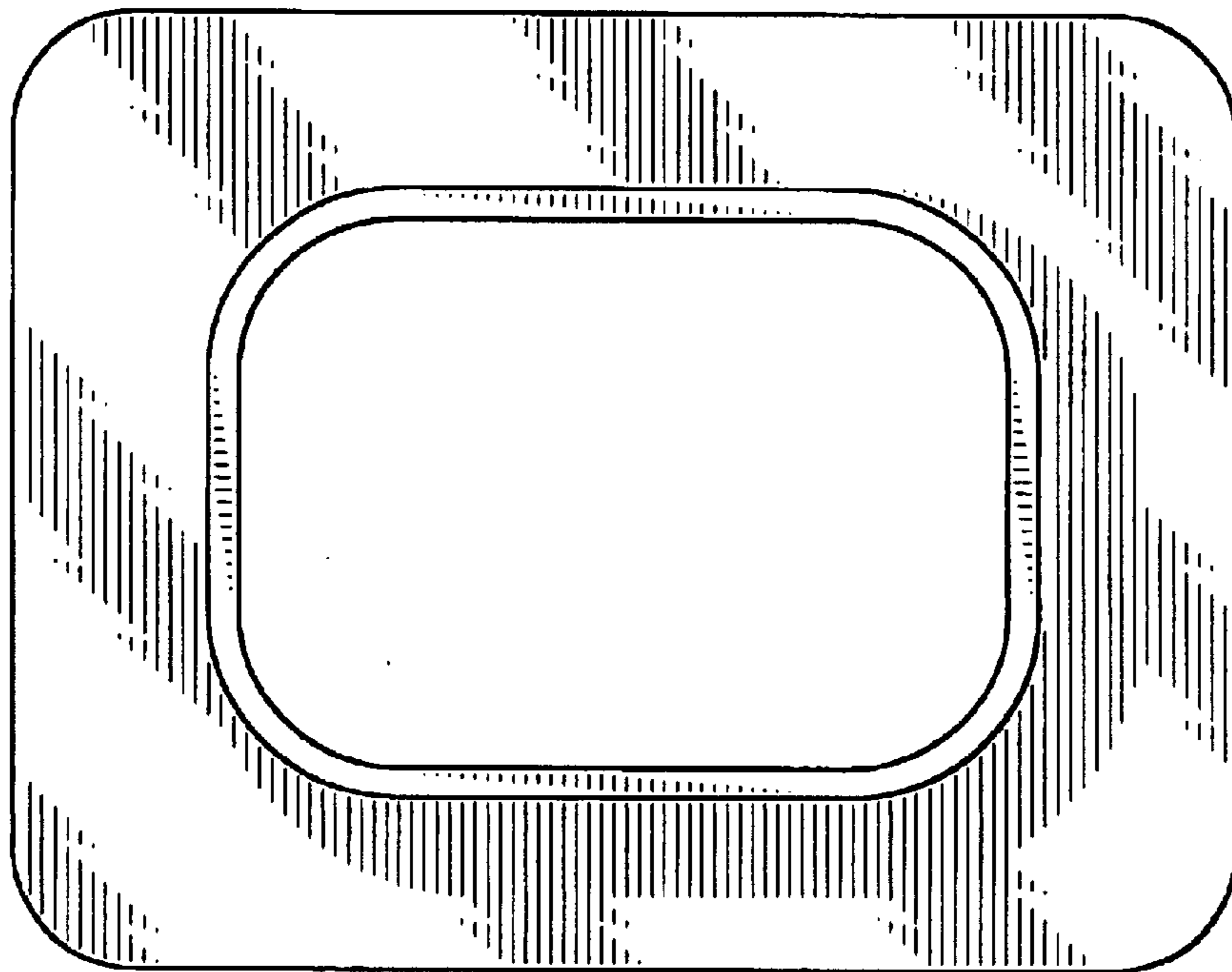


FIG-7

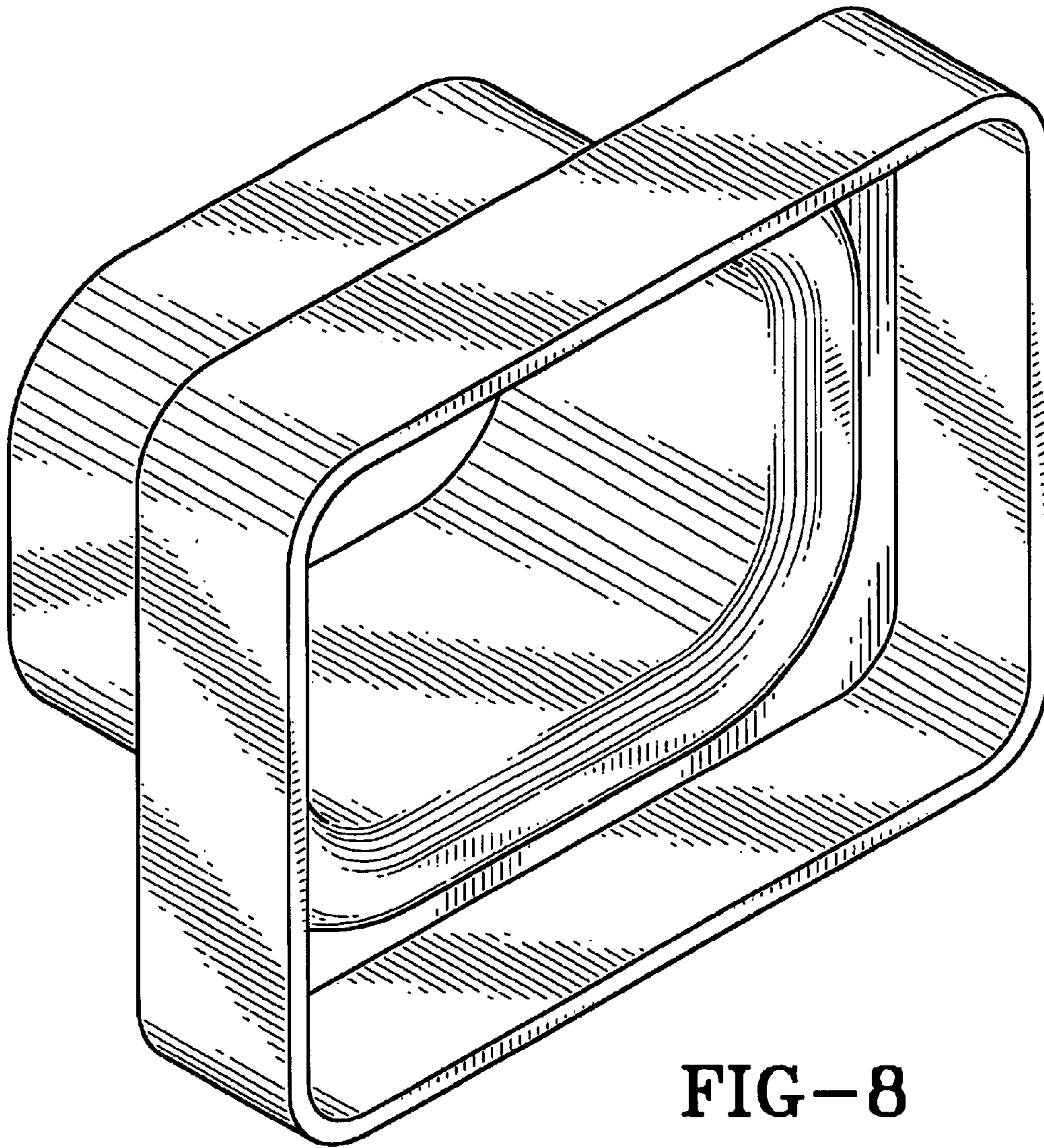


FIG-8