

US00D495047S1

(12) **United States Design Patent**
Gilbert

(10) **Patent No.:** **US D495,047 S**

(45) **Date of Patent:** **** Aug. 24, 2004**

(54) **VENT**

5,733,191 A * 3/1998 Lam et al. 454/284

(75) **Inventor:** **Kevin Porter Gilbert, Marton (NZ)**

* cited by examiner

(73) **Assignee:** **Coolvents Limited, Palmerston North (NZ)**

Primary Examiner—Louis S. Zarfes

Assistant Examiner—Robert A Delehanty

(**) **Term:** **14 Years**

(74) *Attorney, Agent, or Firm*—Young & Thompson

(21) **Appl. No.:** **29/174,999**

(57) **CLAIM**

(22) **Filed:** **Jan. 29, 2003**

The ornamental design for a vent, as shown and described.

(30) **Foreign Application Priority Data**

DESCRIPTION

Jul. 29, 2002 (NZ) 402841

FIG. 1 is an end elevation view of a vent showing my new design;

(51) **LOC (7) Cl.** **23-04**

FIG. 2 is a perspective view thereof;

(52) **U.S. Cl.** **D23/387**

FIG. 3 is an elevation view from the right of FIG. 1 thereof;

(58) **Field of Search** D23/386–389,
D23/292–293, 421, 499; 454/224, 227,
284, 306–307, 309, 370; 125/110 A, 285 R,
160–161; 110/268, 163, 298–299, 349

FIG. 4 is an elevation view thereof from the left of FIG. 1;

FIG. 5 is a cross-sectional view on line A—A of FIG. 3;

FIG. 6 is a plan view thereof from the top of FIG. 3; and,

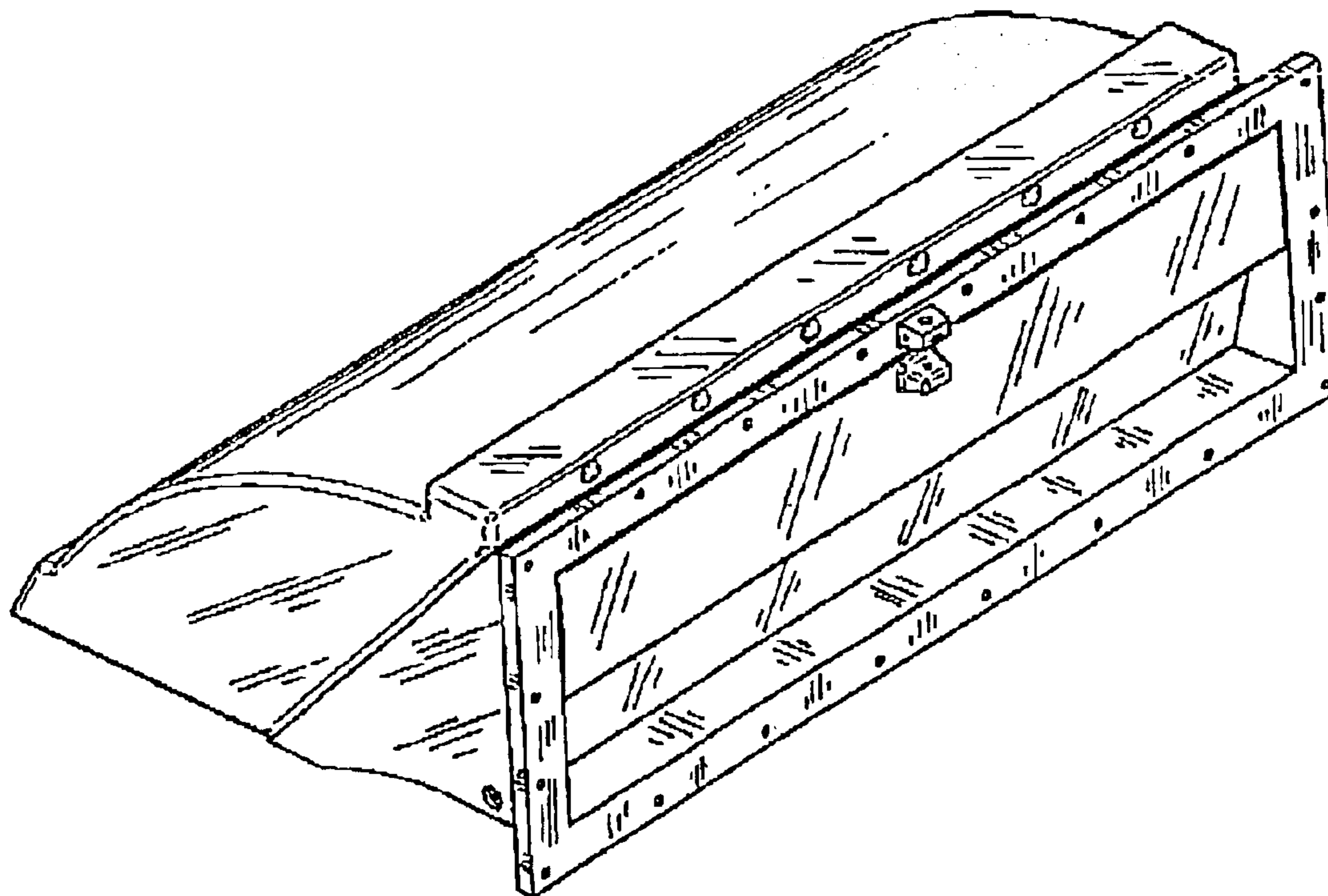
FIG. 7 is a plan view thereof from the bottom of FIG. 3.

(56) **References Cited**

U.S. PATENT DOCUMENTS

D30,059 S * 1/1899 Tracy D23/387

1 Claim, 3 Drawing Sheets



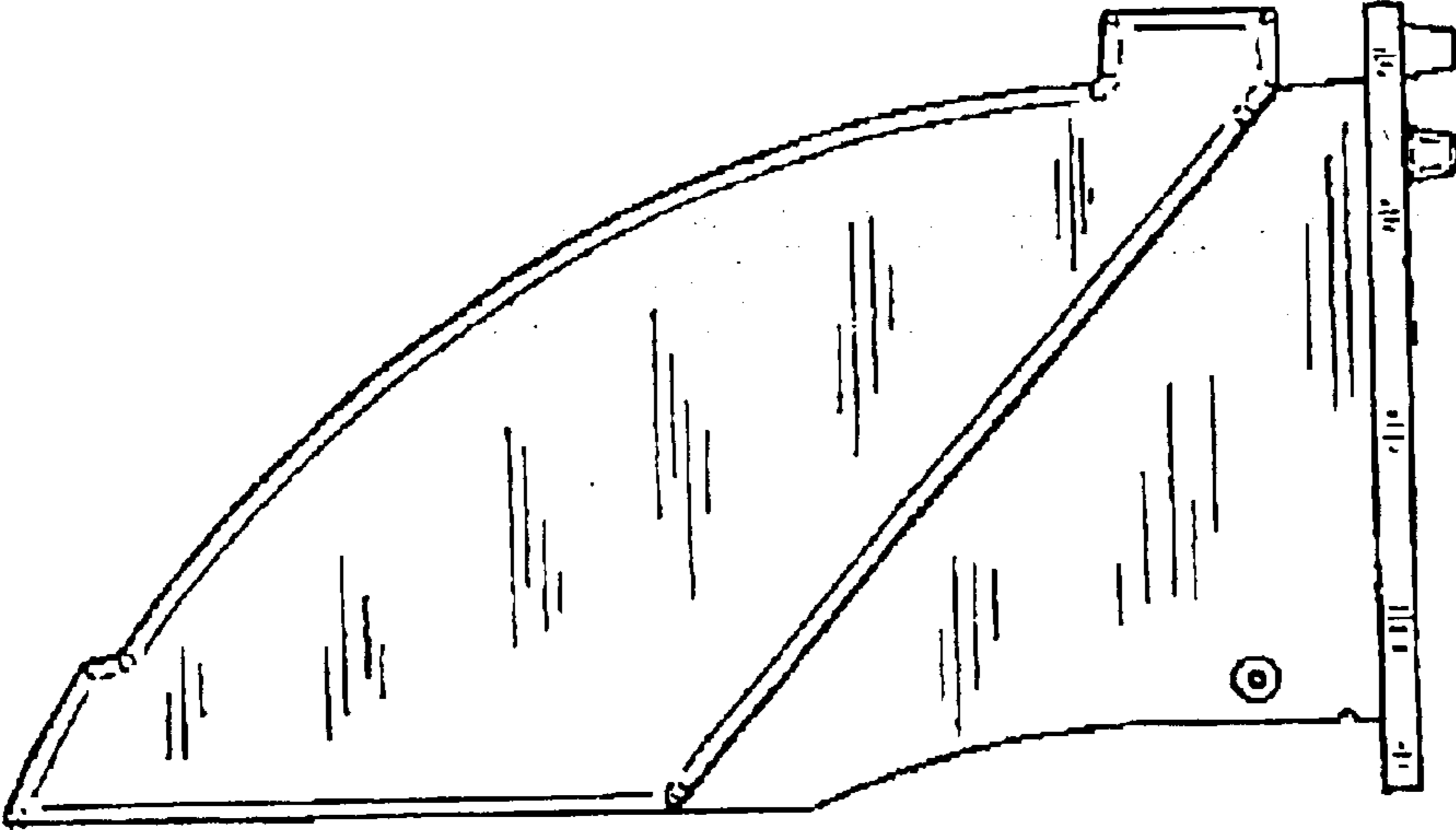


FIGURE 1

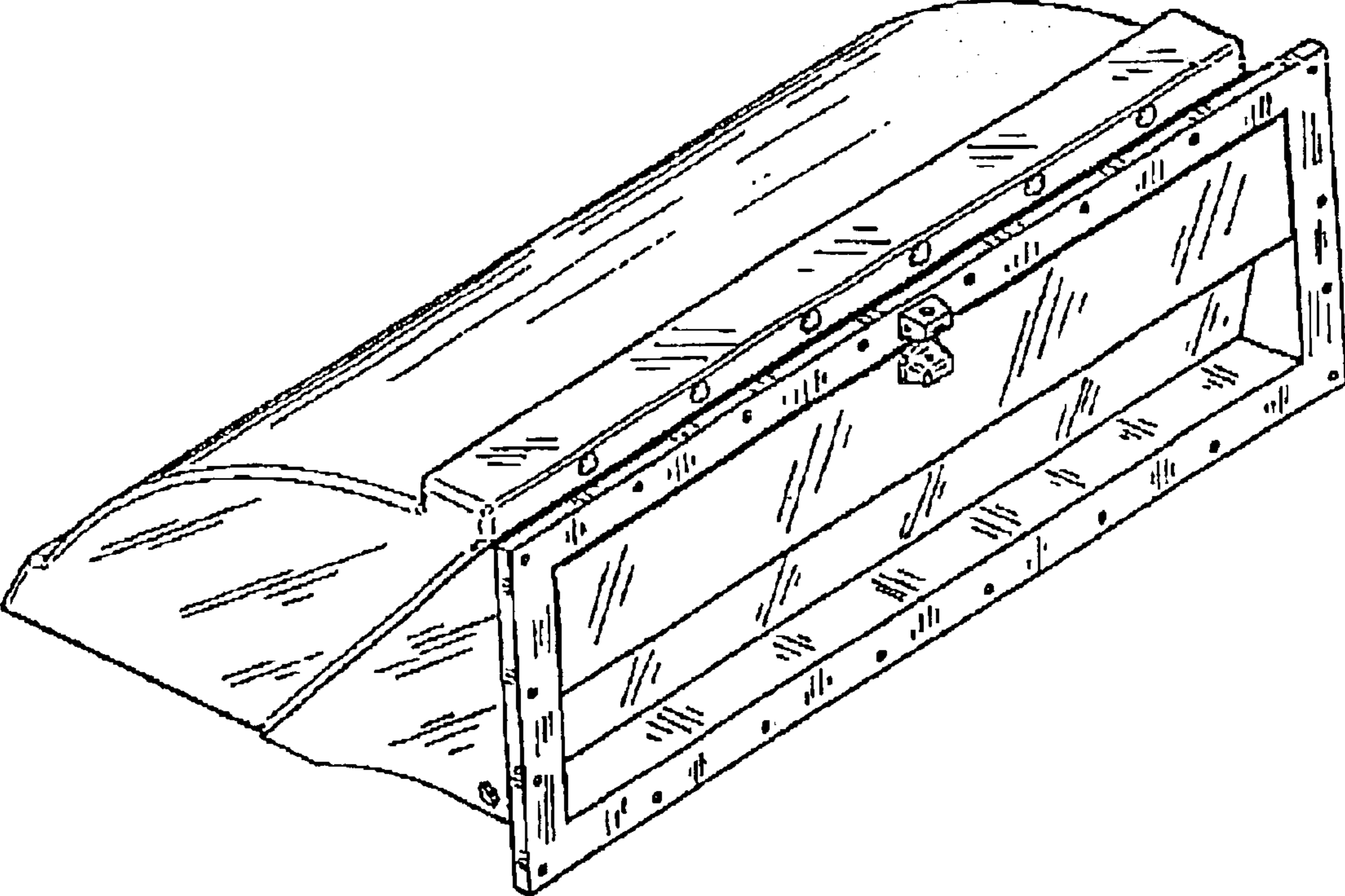


FIGURE 2

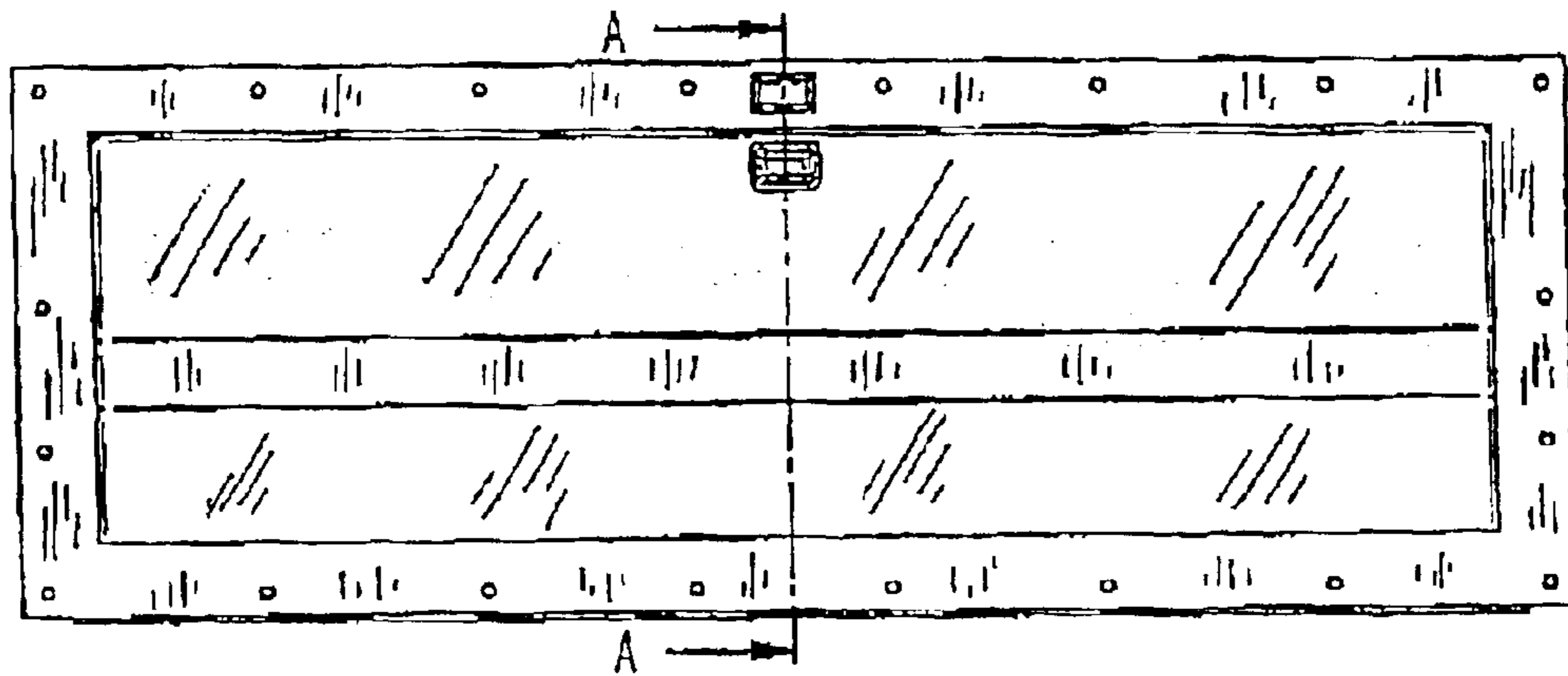


FIGURE 3

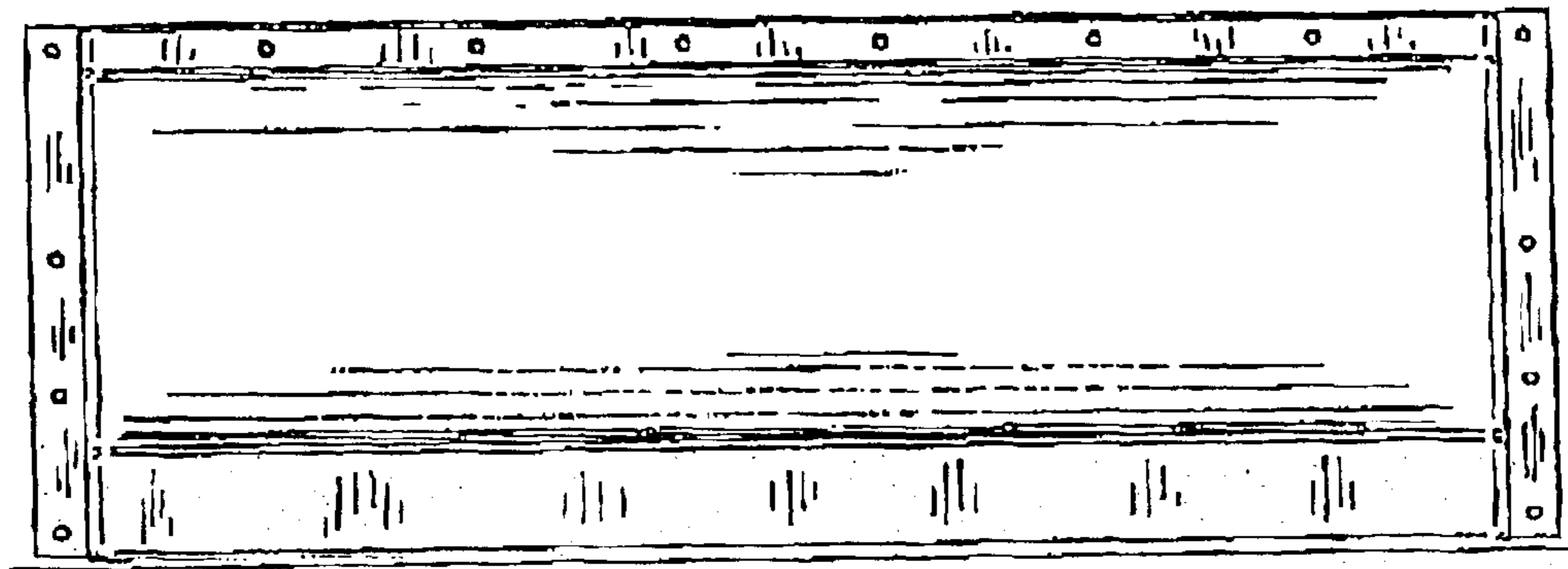


FIGURE 4

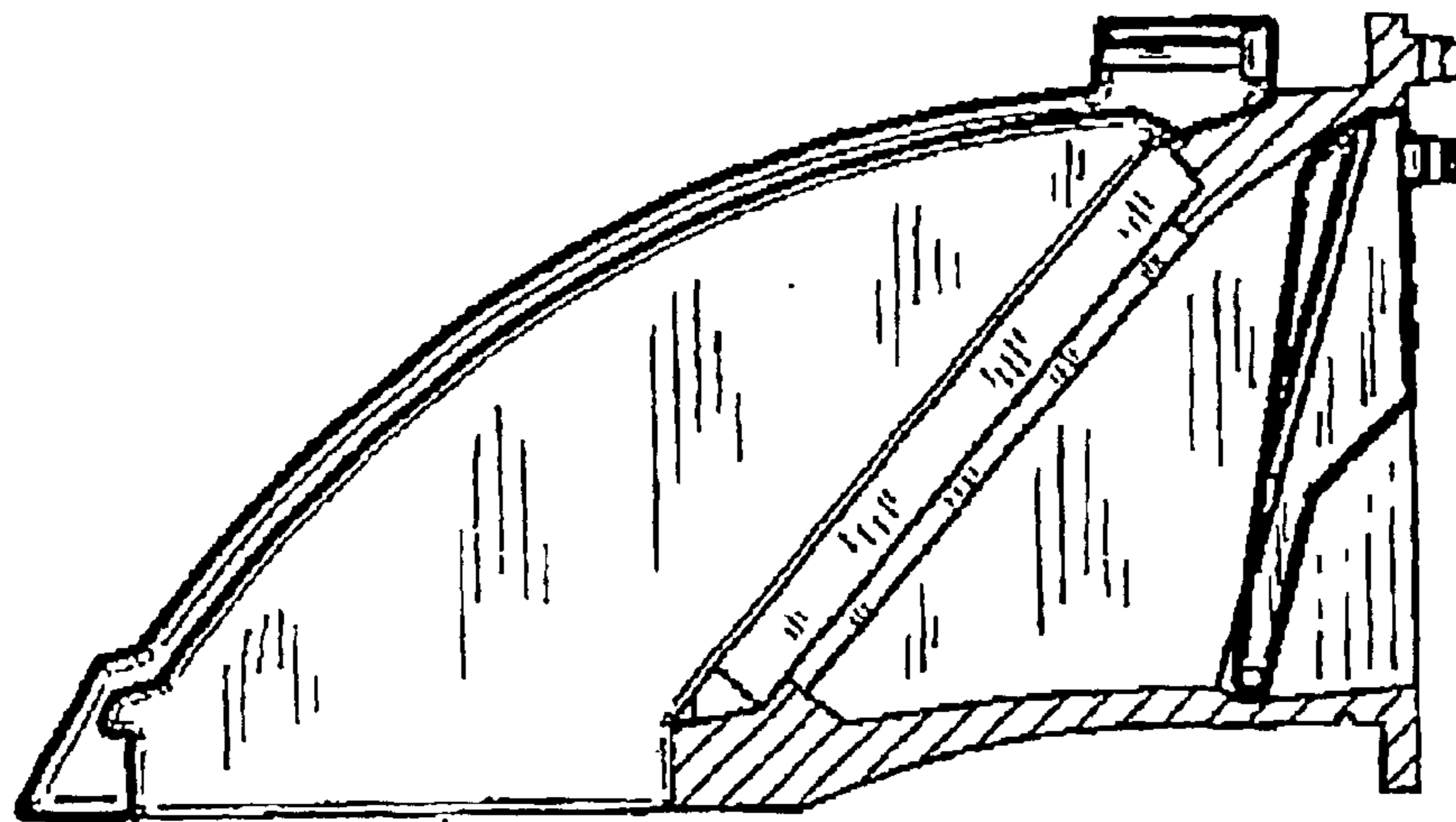


FIGURE 5

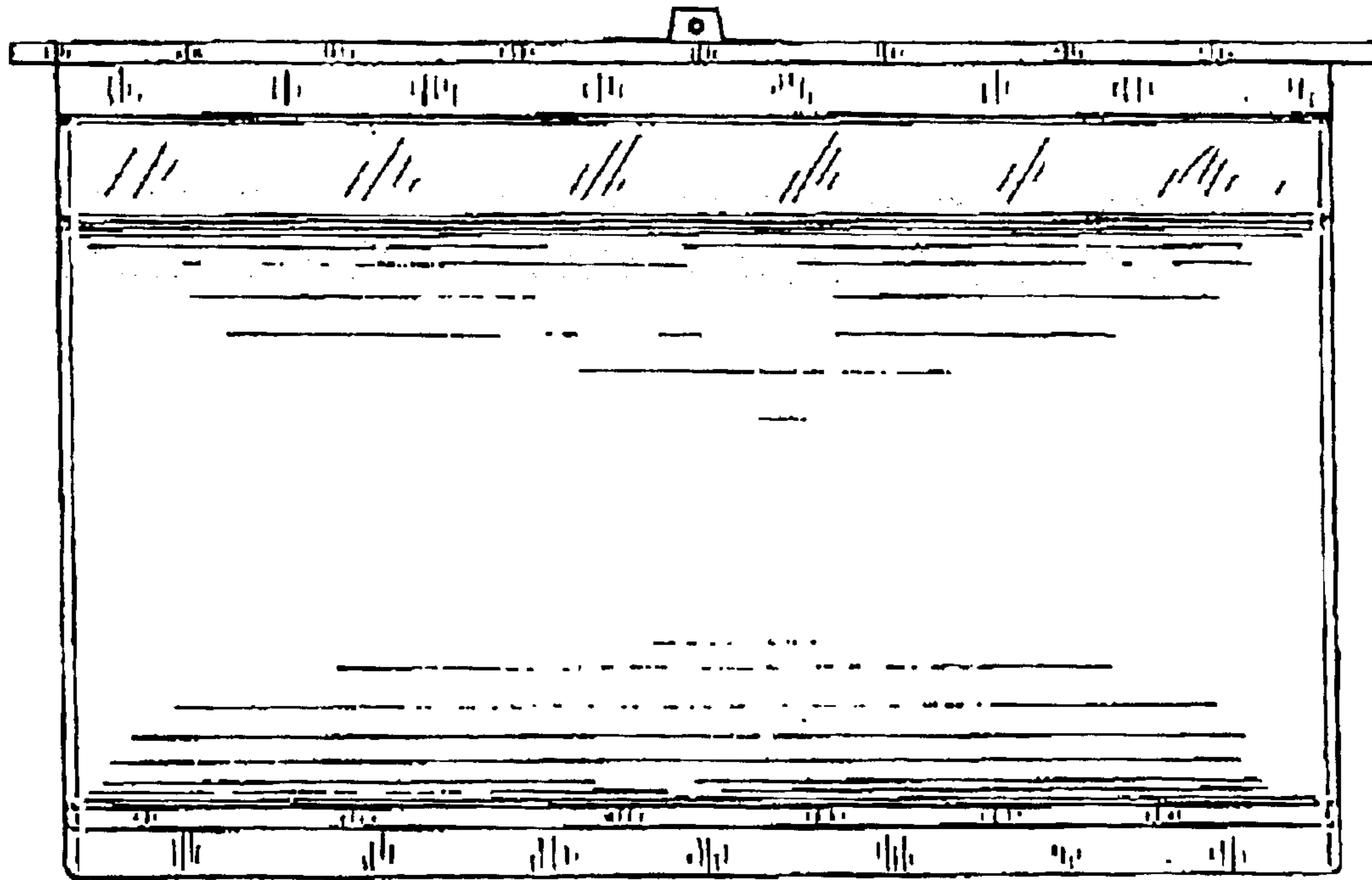


FIGURE 6

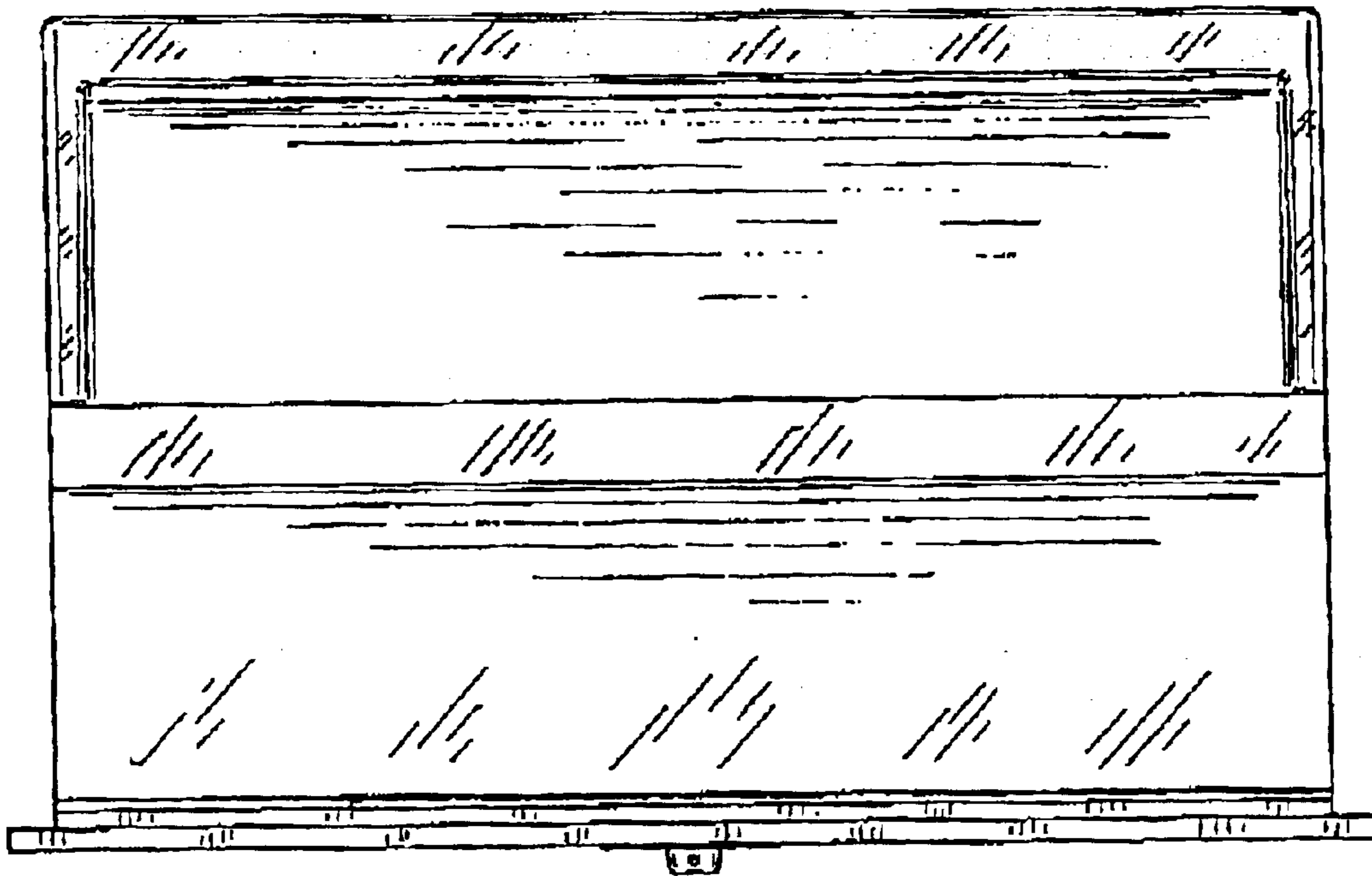


FIGURE 7