

US00D495034S1

(12) **United States Design Patent**
Berman

(10) **Patent No.:** **US D495,034 S**

(45) **Date of Patent:** **** Aug. 24, 2004**

(54) **FAUCET**

(76) **Inventor:** **Michael Berman**, 7215 W. Beverly Blvd., Los Angeles, CA (US) 90036

(**) **Term:** **14 Years**

(21) **Appl. No.:** **29/188,182**

(22) **Filed:** **Aug. 13, 2003**

(51) **LOC (7) Cl. 23-01**

(52) **U.S. Cl. D23/241; D23/242**

(58) **Field of Search D23/238-257; 4/675-678; 137/801**

D478,150 S 8/2003 Friedrich
D478,152 S 8/2003 Friedrich
D478,153 S 8/2003 Friedrich

* cited by examiner

Primary Examiner—Louis S. Zarfes

Assistant Examiner—Gregory Andoll

(74) *Attorney, Agent, or Firm*—Stetina Brunda Garred & Brucker

(57) **CLAIM**

I claim the ornamental design for a faucet, as shown and described.

DESCRIPTION

FIG. 1 is a top plan view of a faucet showing my new design with the phantom lines depicting environmental structure and forming no part of the claimed design;

FIG. 2 is a front elevational view thereof with the phantom lines depicting environmental structure and forming no part of the claimed design; and,

FIG. 3 is a left side elevational view thereof with the phantom lines depicting environmental structure and forming no part of the claimed design, the right side being a mirror image.

(56) **References Cited**

U.S. PATENT DOCUMENTS

D280,009 S	*	8/1985	Miller et al.	D23/242
D467,998 S	*	12/2002	Panis et al.	D23/242
D470,917 S		2/2003	Friedrich	
D470,918 S		2/2003	Friedrich	
D470,919 S		2/2003	Friedrich	
D471,255 S		3/2003	Friedrich	
D471,256 S		3/2003	Friedrich	
D476,721 S	*	7/2003	Ouyoung	D23/242
D477,858 S		7/2003	Friedrich	
D478,149 S		8/2003	Friedrich	

1 Claim, 1 Drawing Sheet

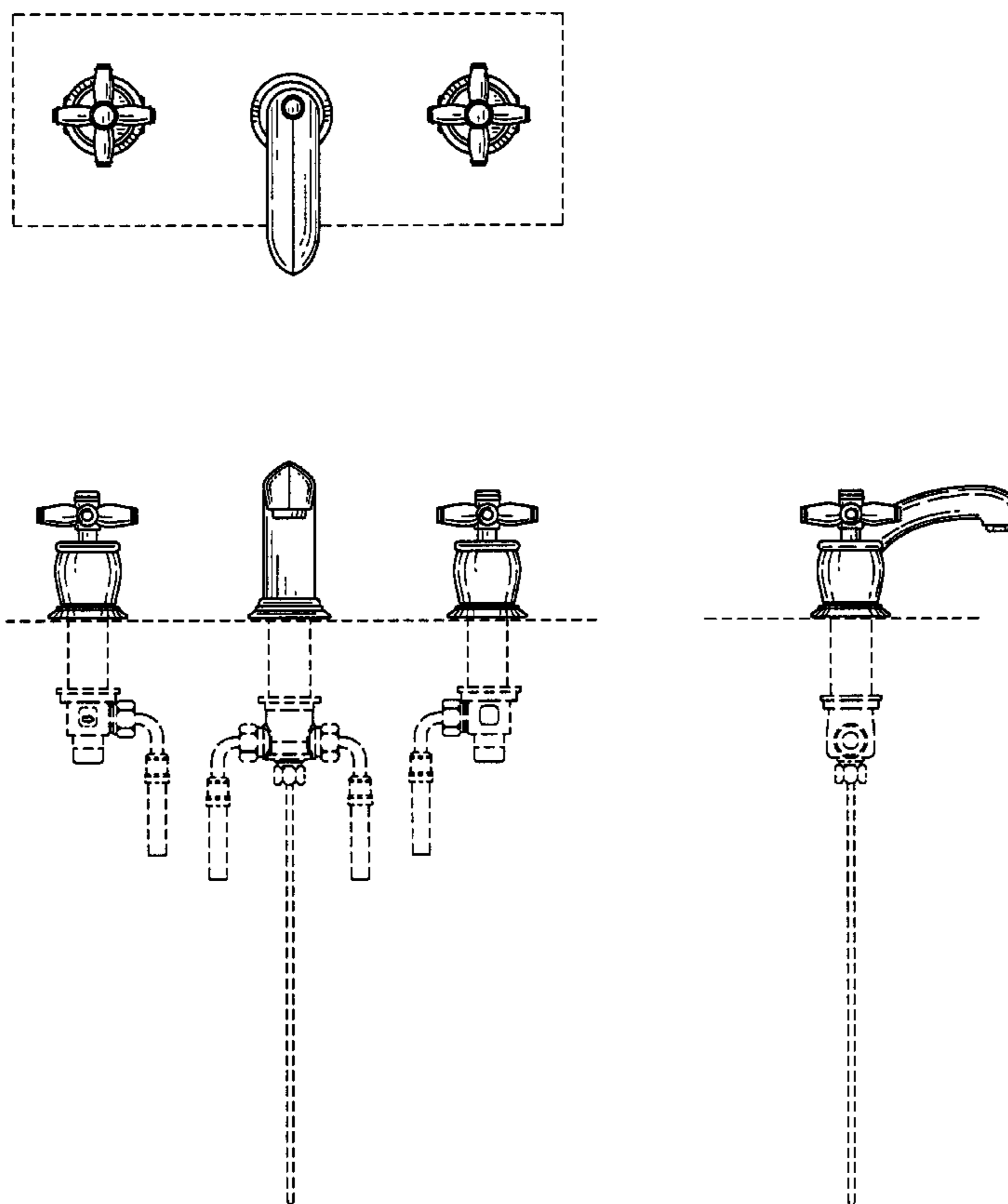


FIG. 1

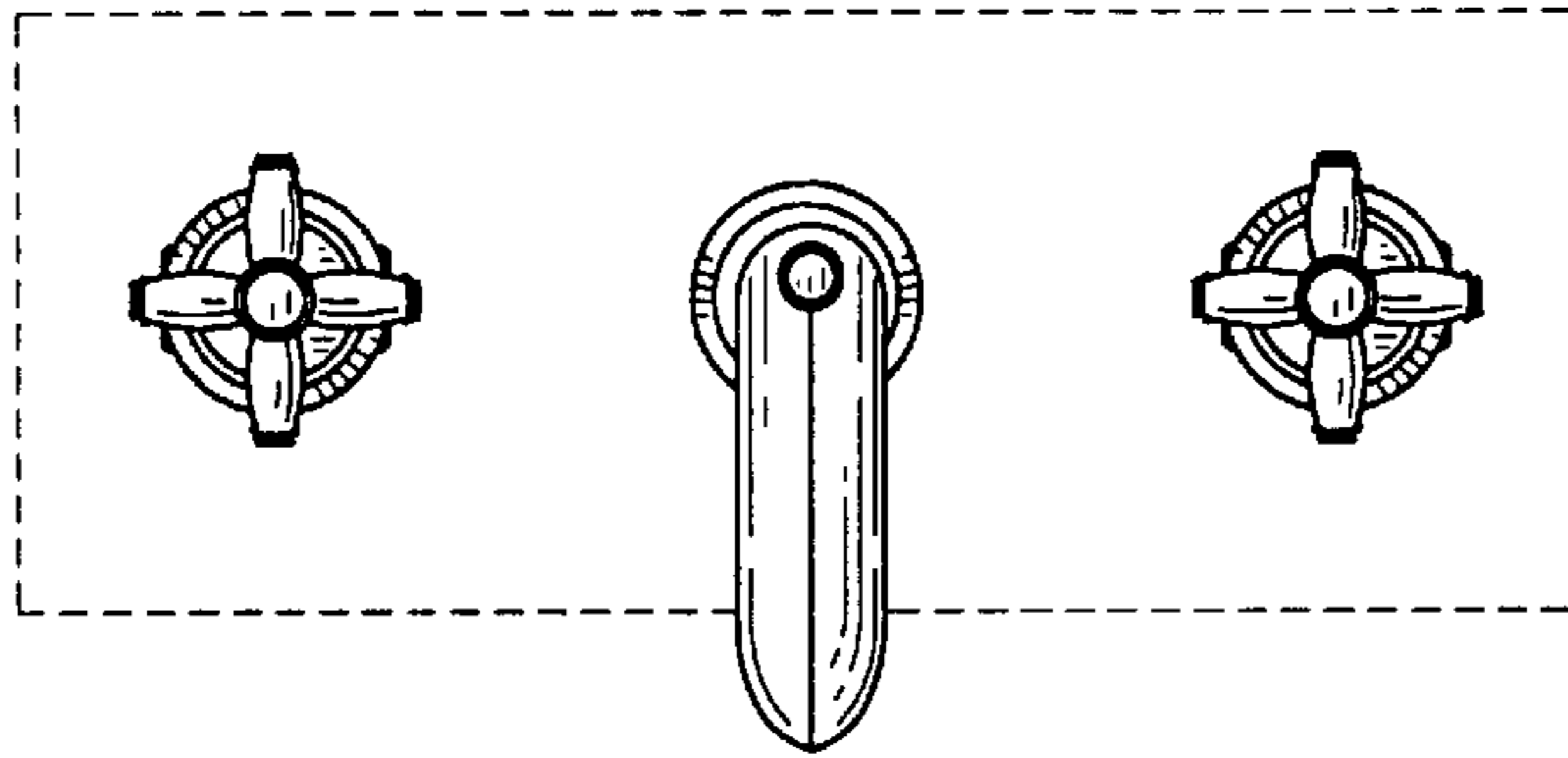


FIG. 2

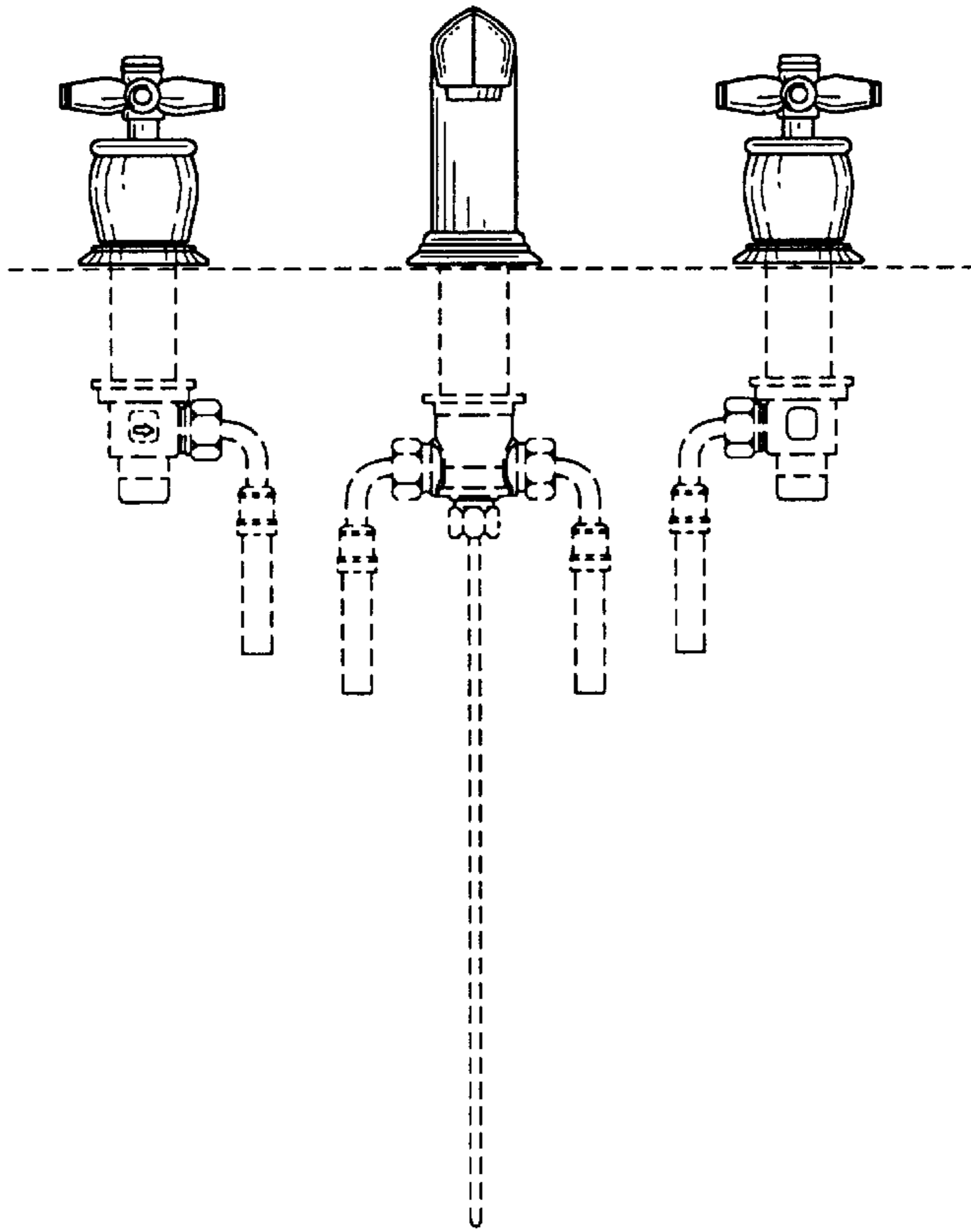


FIG. 3

