



US00D495030S1

(12) **United States Design Patent**
Lillback

(10) **Patent No.:** **US D495,030 S**

(45) **Date of Patent:** **** Aug. 24, 2004**

(54) **HOUSING FOR A WATER TREATMENT SYSTEM CONTROL VALVE**

(75) **Inventor:** **Raymond Lillback**, Streetsboro, OH (US)

(73) **Assignee:** **Kinetico Incorporated**, Newbury, OH (US)

(**) **Term:** **14 Years**

(21) **Appl. No.:** **29/168,470**

(22) **Filed:** **Oct. 2, 2002**

(51) **LOC (7) Cl.** **23-01**

(52) **U.S. Cl.** **D23/233**

(58) **Field of Search** D23/233-249;
137/624.14, 614.18, 625.46, 554, 557, 119.06;
210/541, 98, 141, 190-192, 87-88, 541.7,
662; 251/59, 30.05; 415/150

(56) **References Cited**

U.S. PATENT DOCUMENTS

3,208,476	A	*	9/1965	Clack	210/190
3,269,410	A	*	8/1966	Alvarado et al.	137/882
3,891,552	A		6/1975	Prior et al.		
4,298,025	A		11/1981	Prior et al.		
4,337,153	A		6/1982	Prior		
4,427,549	A	*	1/1984	Brown et al.	210/662
4,693,814	A		9/1987	Brown		
5,022,994	A		6/1991	Avery et al.		

5,135,168	A	*	8/1992	Wang	239/70
5,490,932	A		2/1996	Hansen et al.		
5,628,899	A	*	5/1997	Vaughan	210/142
6,189,556	B1	*	2/2001	Blake et al.	137/119.07
6,214,214	B1	*	4/2001	Hansen et al.	210/106

* cited by examiner

Primary Examiner—Nelson C. Holtje

(74) *Attorney, Agent, or Firm*—Watts Hoffmann Co.

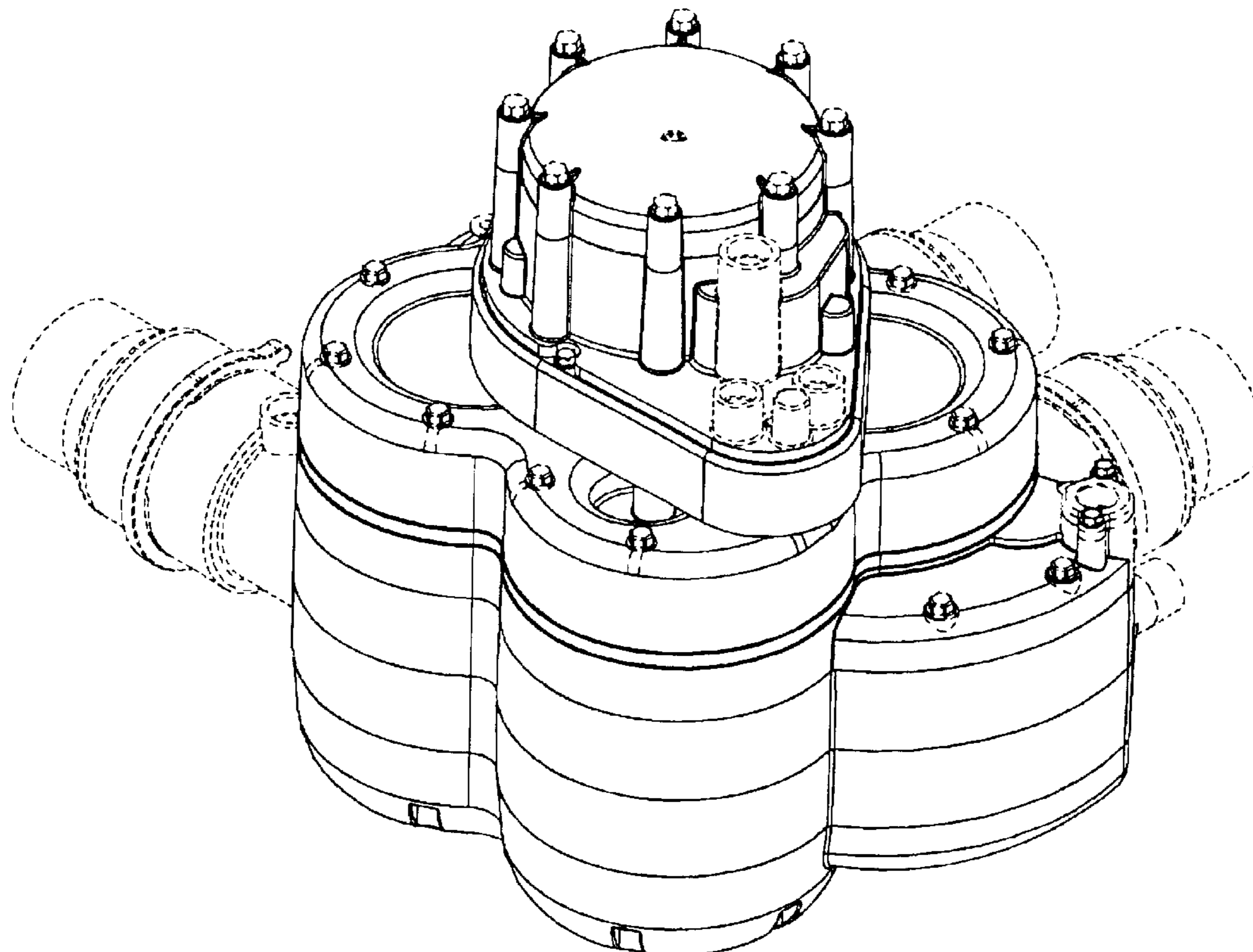
(57) **CLAIM**

I claim the ornamental design for a housing for a water treatment system control valve, as shown and described.

DESCRIPTION

FIG. 1 is a front perspective view of a housing for a water treatment system control valve of the present invention (the broken lines in FIGS. 1-7 are for illustrative purposes only and do not form part of the invention shown in FIGS. 1-7); FIG. 2 is a top plan view of the housing shown in FIG. 1; FIG. 3 is a bottom view of the housing shown in FIG. 1; FIG. 4 is a side elevational view of the housing as seen from the plane indicated by the line 4-4 in FIG. 2; FIG. 5 is a side elevational view as seen from the plane indicated by the line 5-5 in FIG. 2; FIG. 6 is a side elevational view of the housing as seen from the plane indicated by the line 6-6 in FIG. 2; and, FIG. 7 is a front elevational view of the housing as seen from the plane indicated by the line 7-7 in FIG. 2.

1 Claim, 7 Drawing Sheets



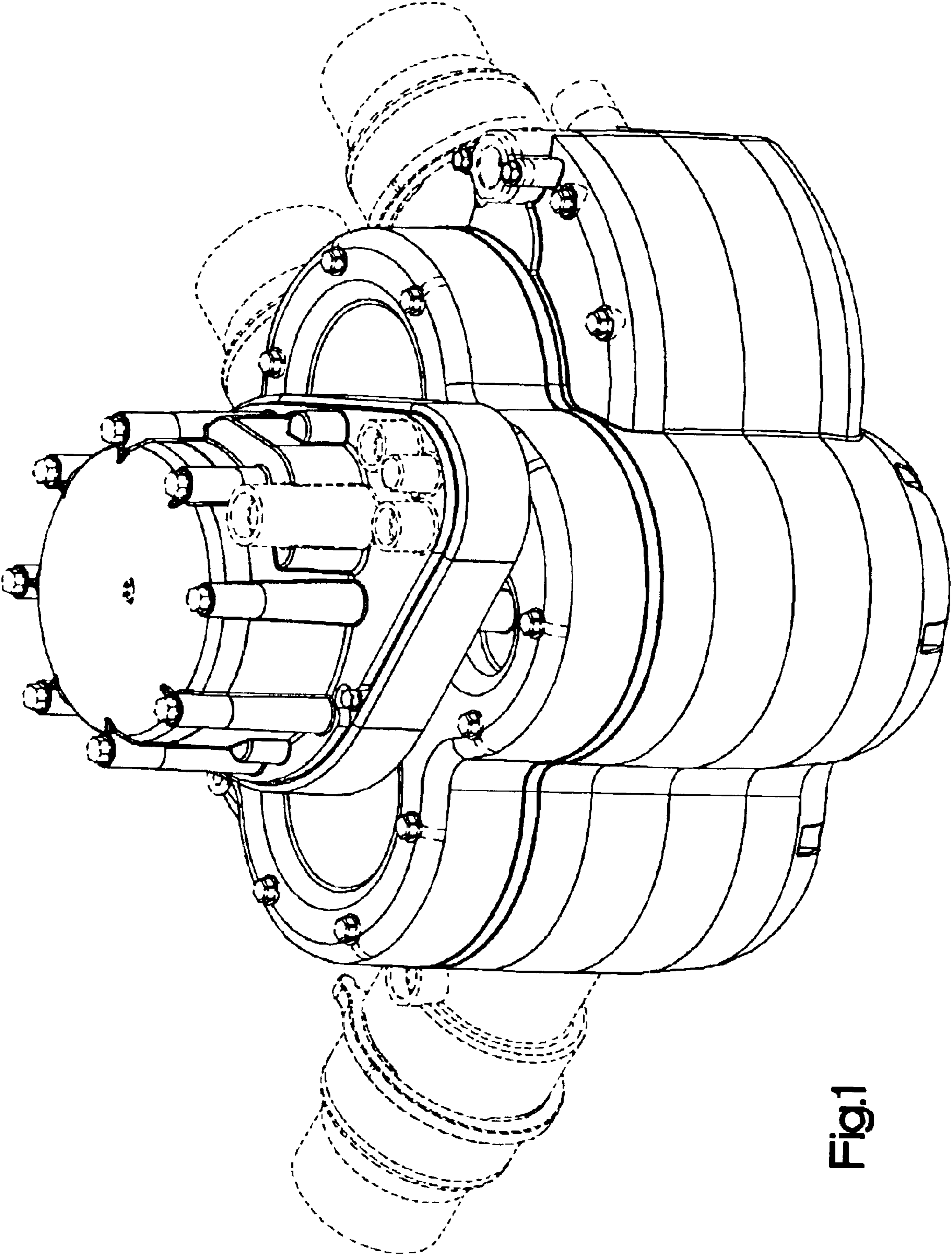


Fig.1

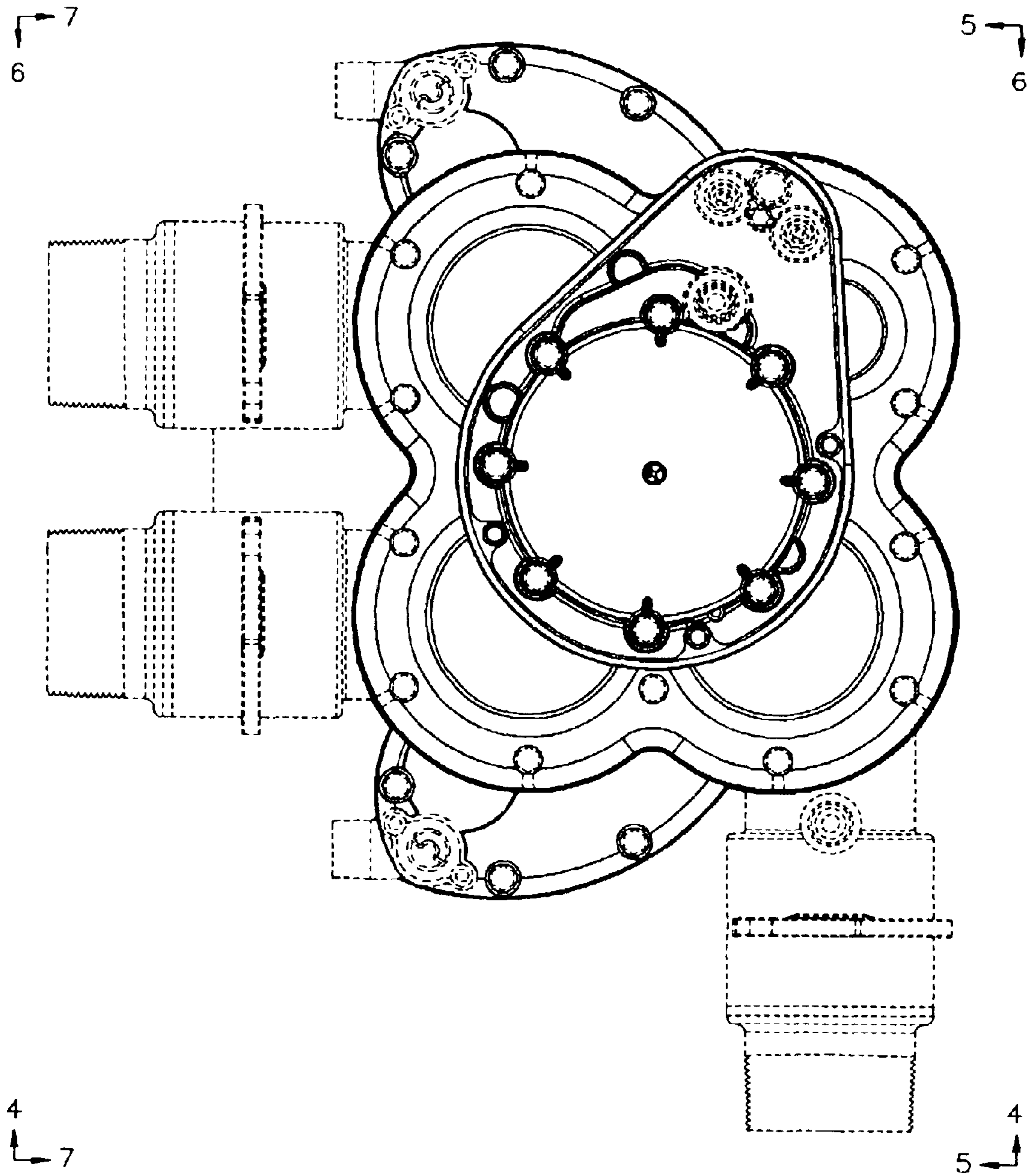


Fig.2

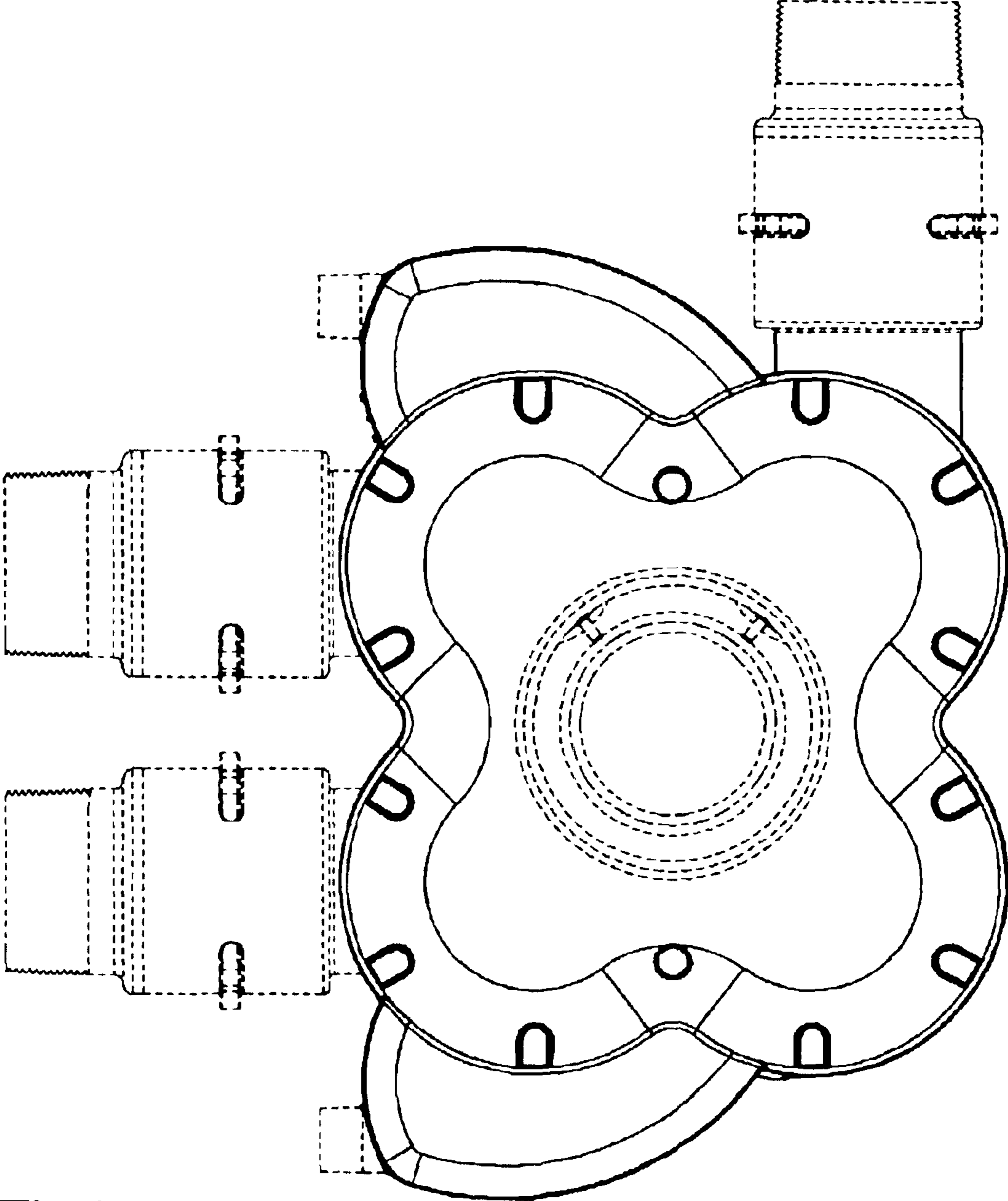


Fig.3

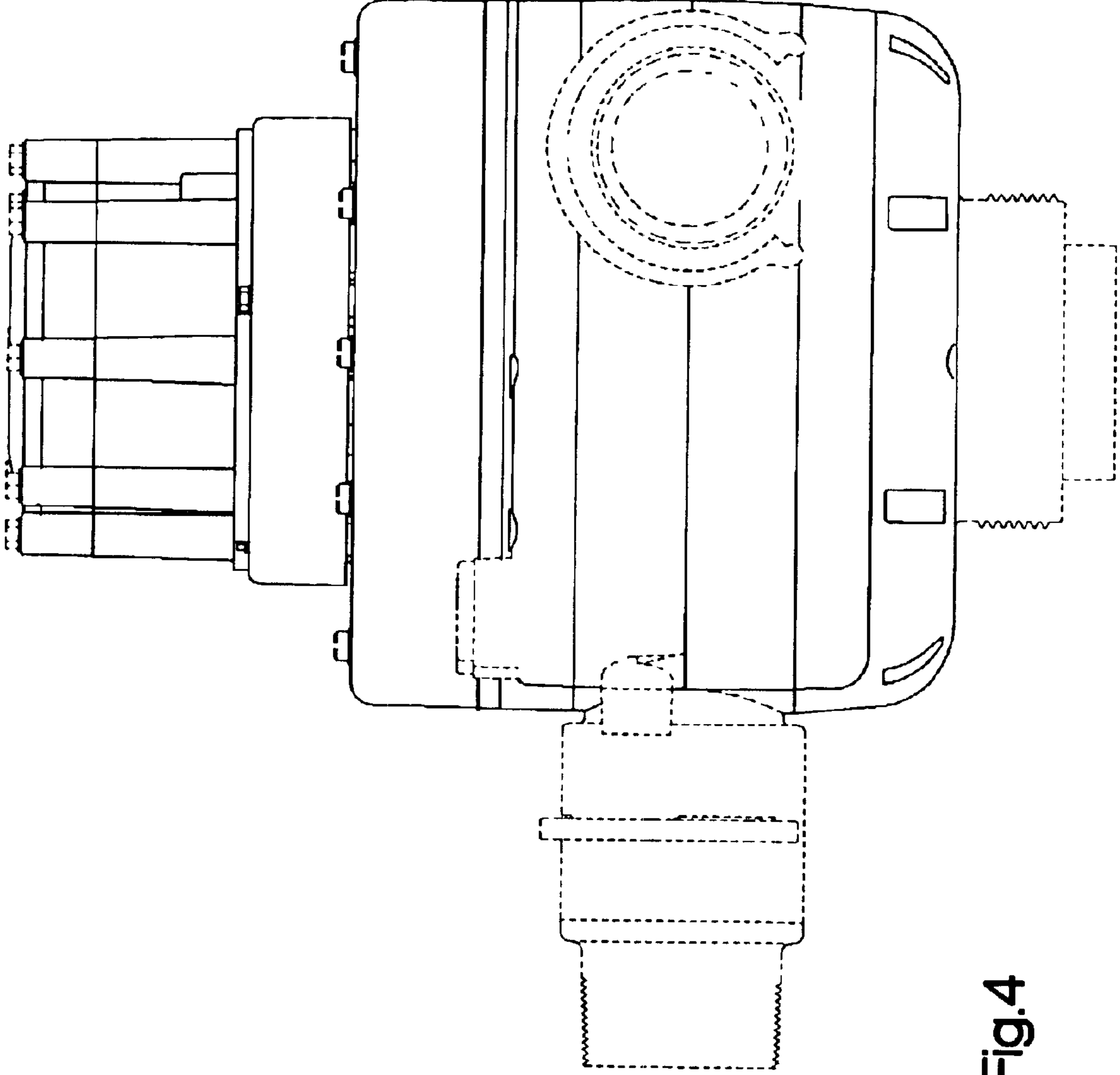


Fig.4

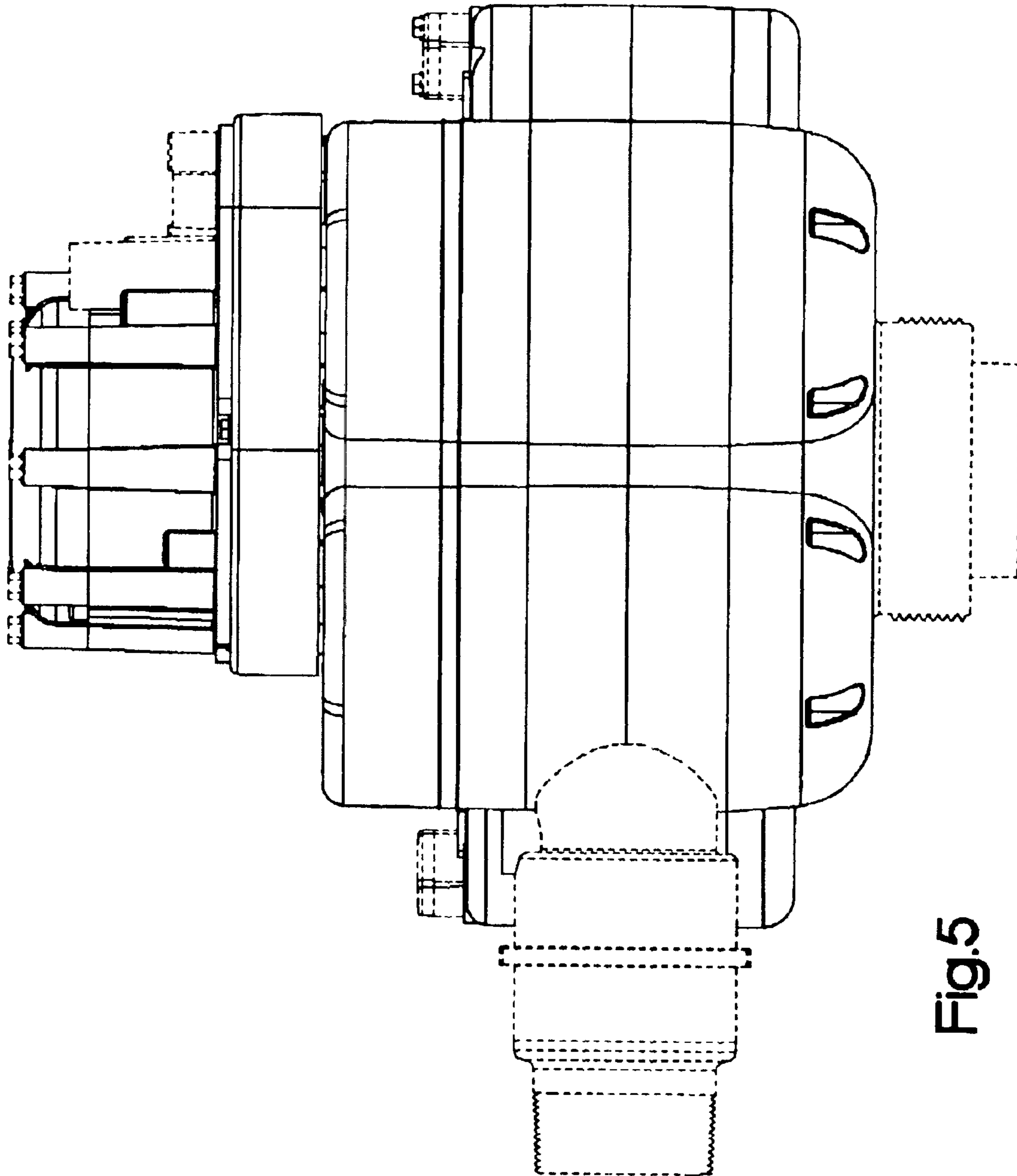


Fig.5

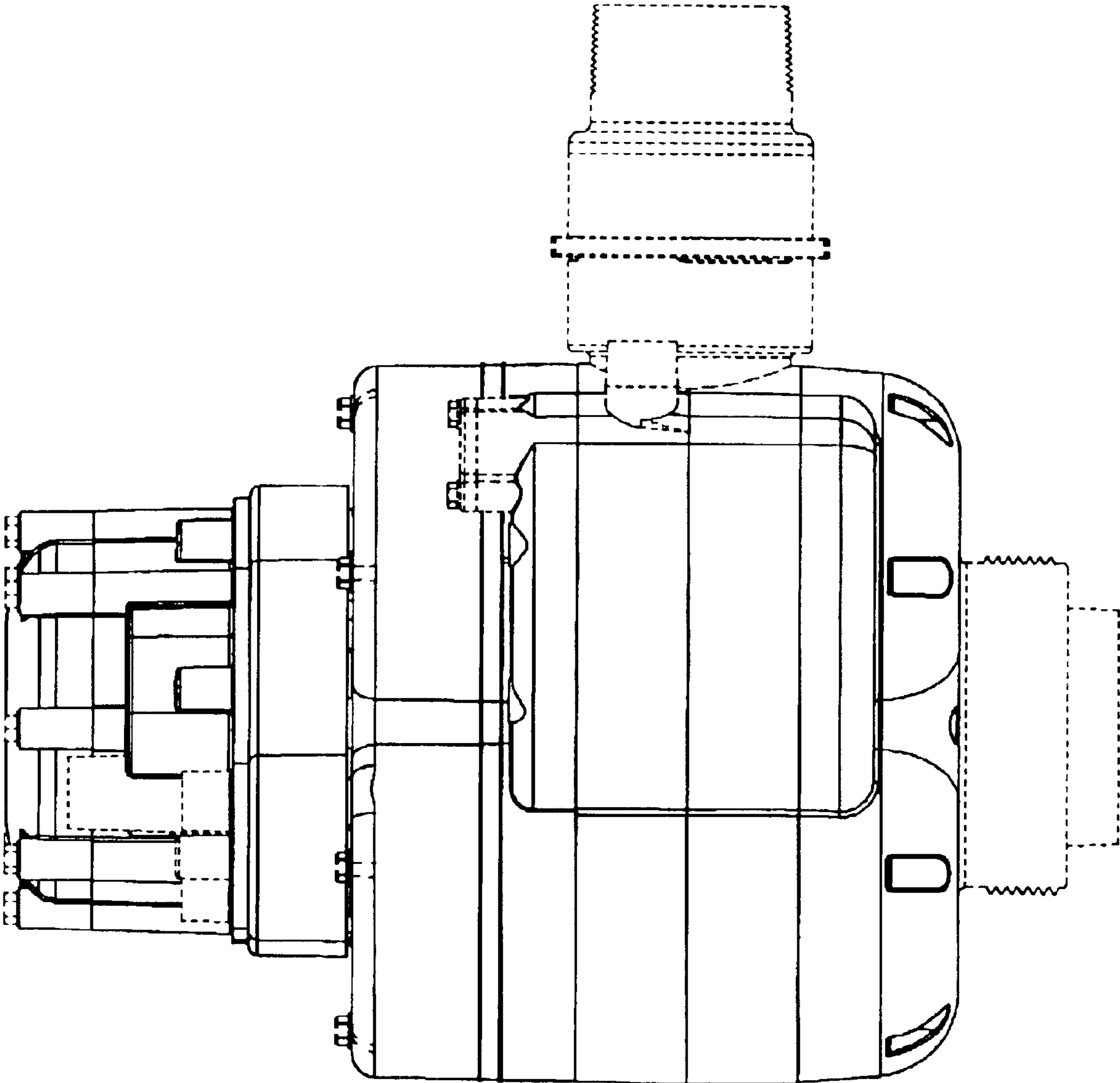


Fig.6

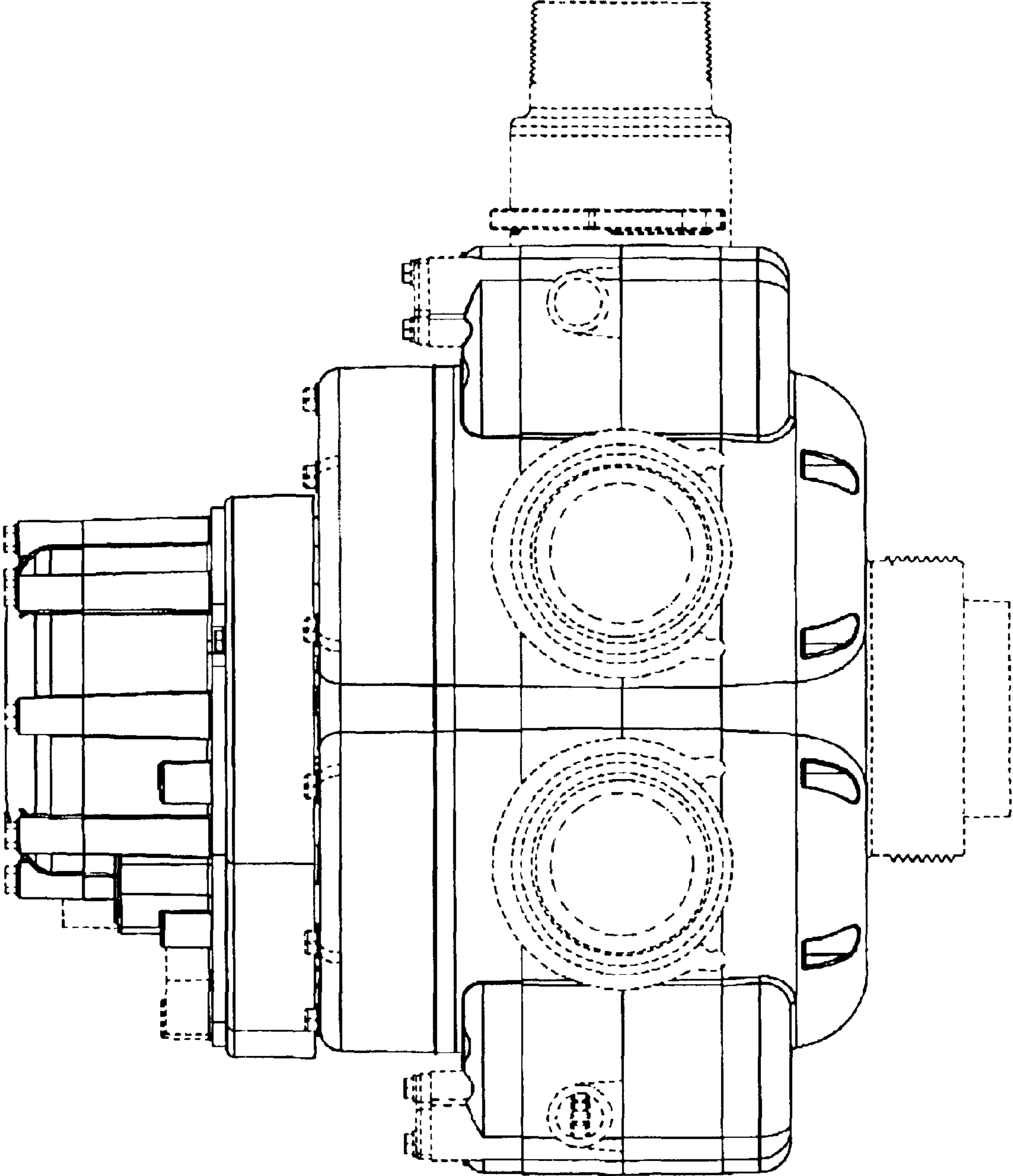


Fig.7