



US00D495027S1

(12) **United States Design Patent**
Mazzola

(10) **Patent No.:** **US D495,027 S**

(45) **Date of Patent:** **** Aug. 24, 2004**

(54) **SHOWER HEAD**

(75) **Inventor:** **Giovanni Maria Mazzola**, Valduggia (IT)

(73) **Assignee:** **Ergon S.r.l.**, Valduggia (IT)

(**) **Term:** **14 Years**

(21) **Appl. No.:** **29/188,588**

(22) **Filed:** **Aug. 21, 2003**

(30) **Foreign Application Priority Data**

Feb. 21, 2003 (IT) MI2003 O 0111

(51) **LOC (7) Cl.** **23-01**

(52) **U.S. Cl.** **D23/213; D23/229**

(58) **Field of Search** **D23/213, 229, D23/230; 239/282, 283; 4/615**

(56) **References Cited**

U.S. PATENT DOCUMENTS

2,261,500 A	*	11/1941	Lewis et al.	239/557
D346,427 S	*	4/1994	Warshawsky	D23/213
D346,428 S	*	4/1994	Warshawsky	D23/213
D350,808 S	*	9/1994	Warshawsky	D23/213
D355,242 S	*	2/1995	Warshawsky	D23/213

* cited by examiner

Primary Examiner—Robin V. Taylor

(74) *Attorney, Agent, or Firm*—Nixon & Vanderhye P.C.

(57) **CLAIM**

The ornamental design for a “shower head”, as shown and described.

DESCRIPTION

FIG. 1 is a top left perspective view of the shower head of my design;

FIG. 2 is a top plan view;

FIG. 3 is a bottom plan view;

FIG. 4 is a front elevated view;

FIG. 5 is a right side elevated view;

FIG. 6 is a top left perspective view of a second embodiment of the shower head of my design;

FIG. 7 is a top plan view;

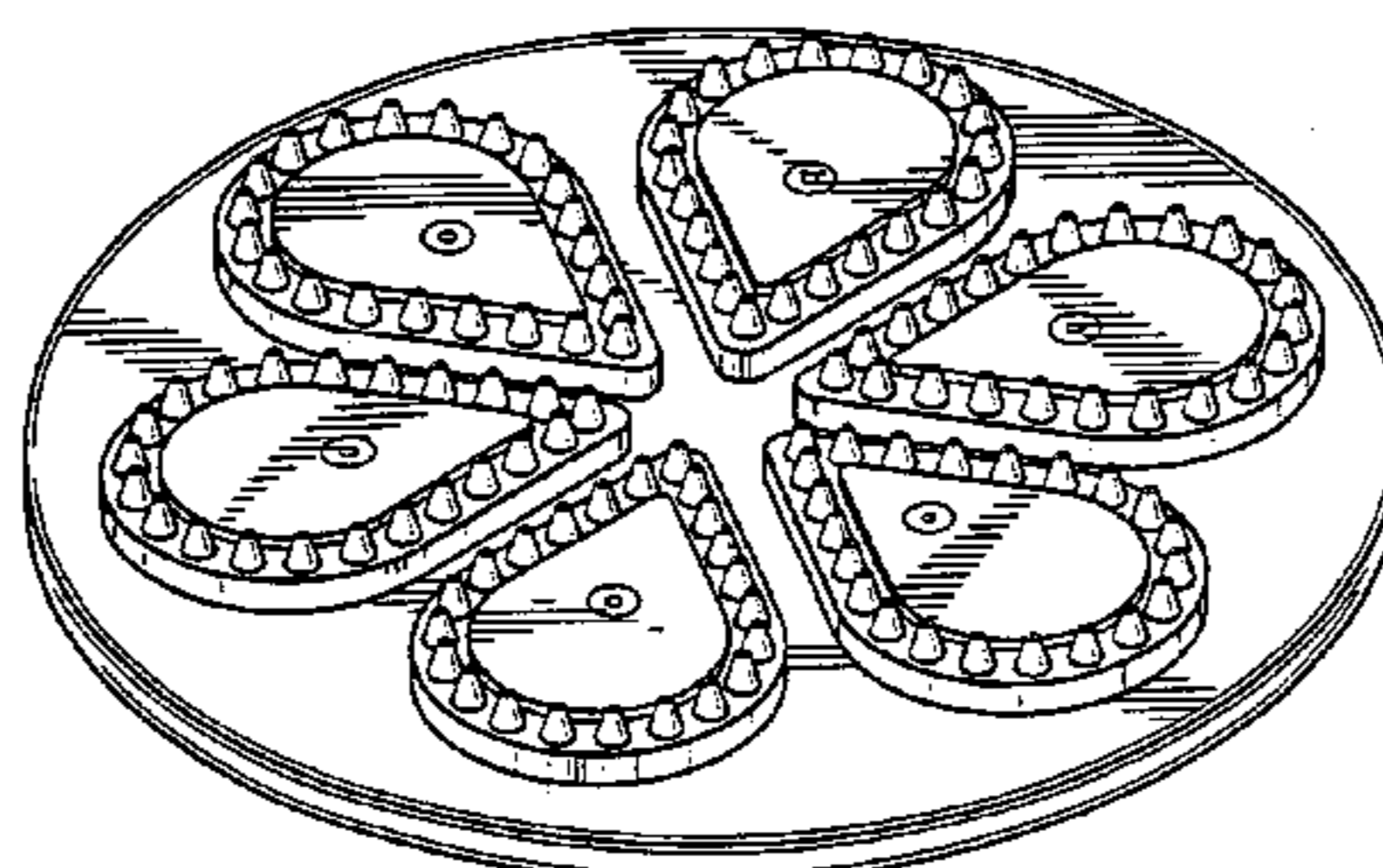
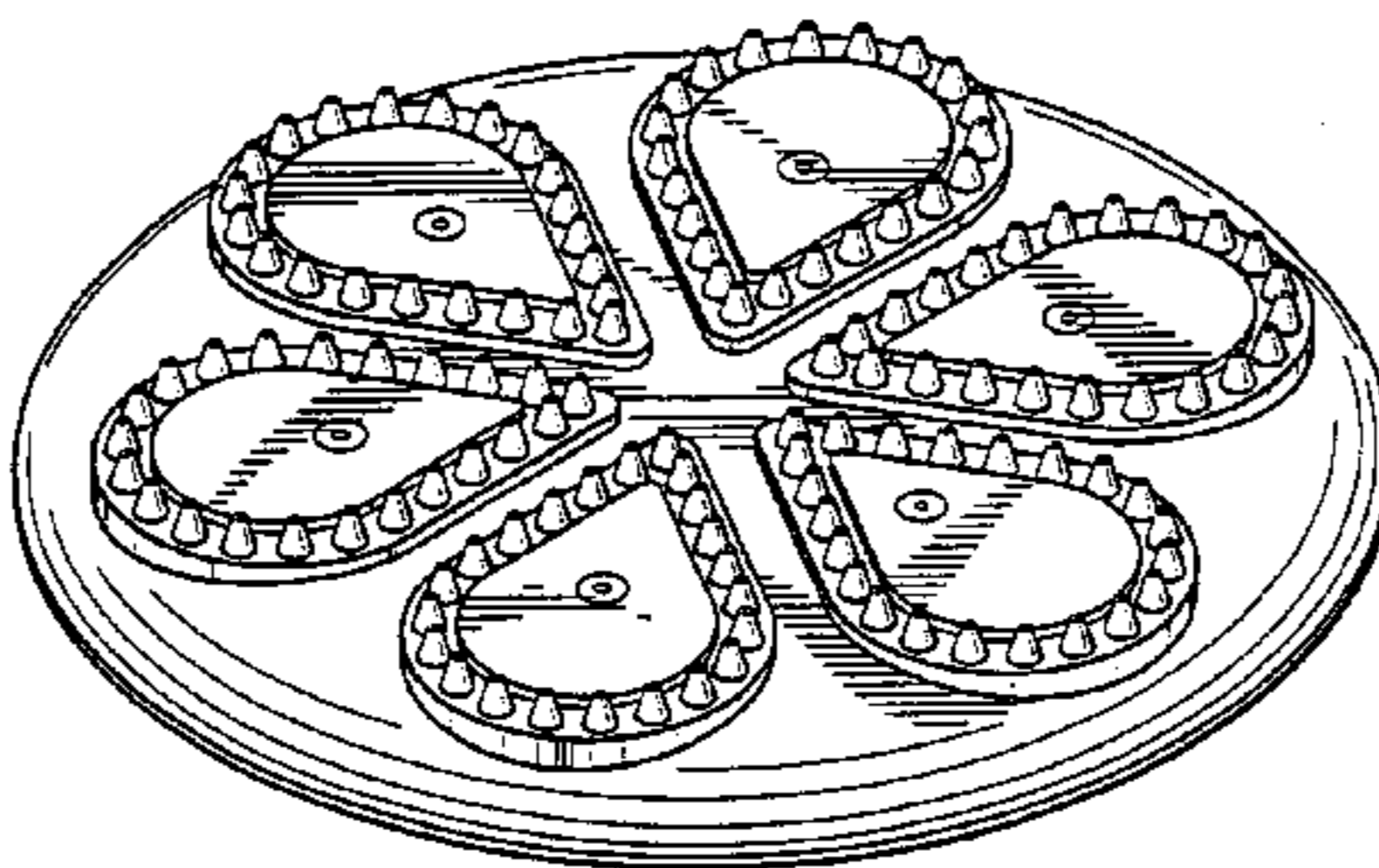
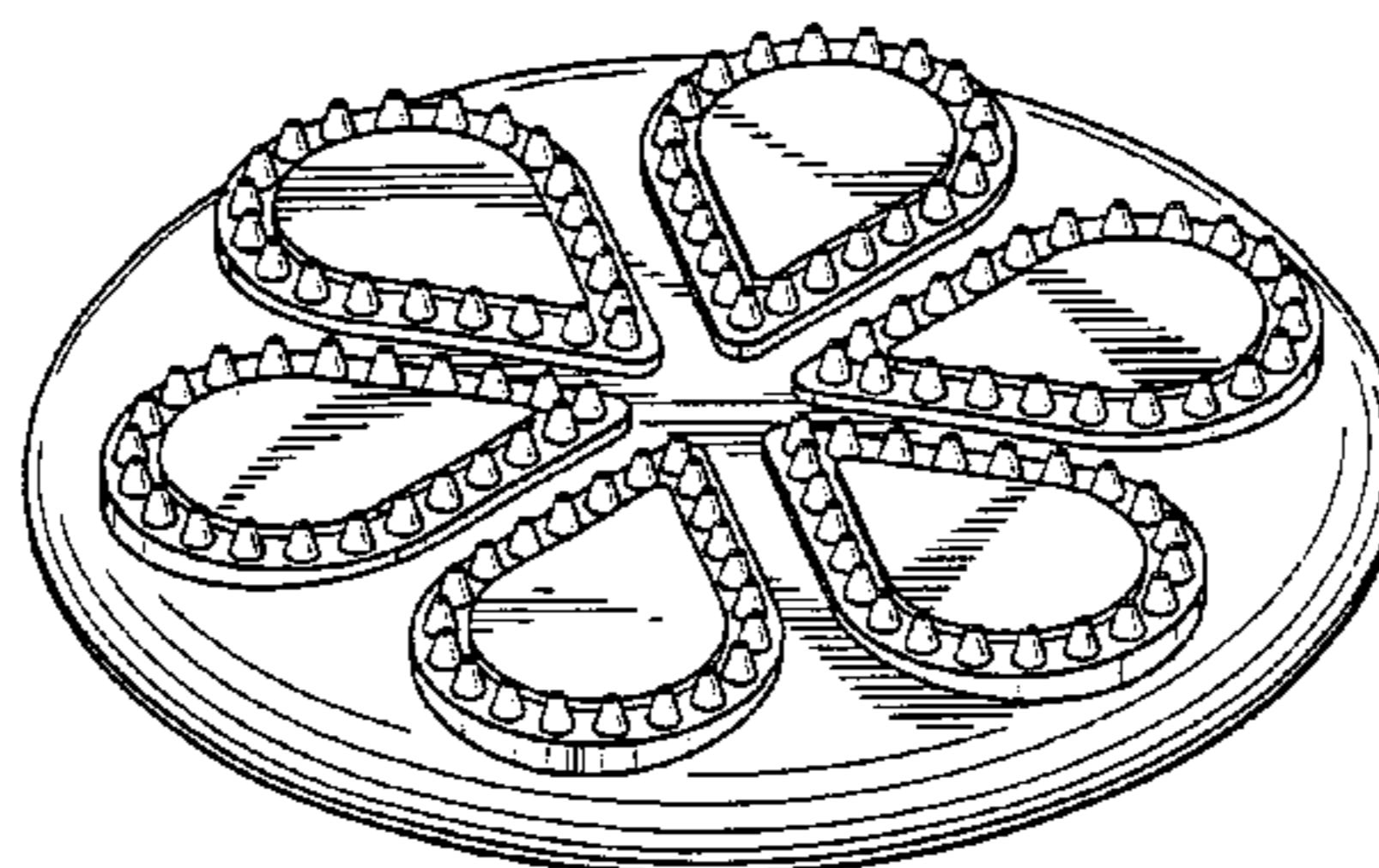
FIG. 8 is a top left perspective view of a third embodiment of the shower head of my design;

FIG. 9 is a top plan view;

FIG. 10 is a front elevated view; and,

FIG. 11 is a right side elevated view.

1 Claim, 9 Drawing Sheets



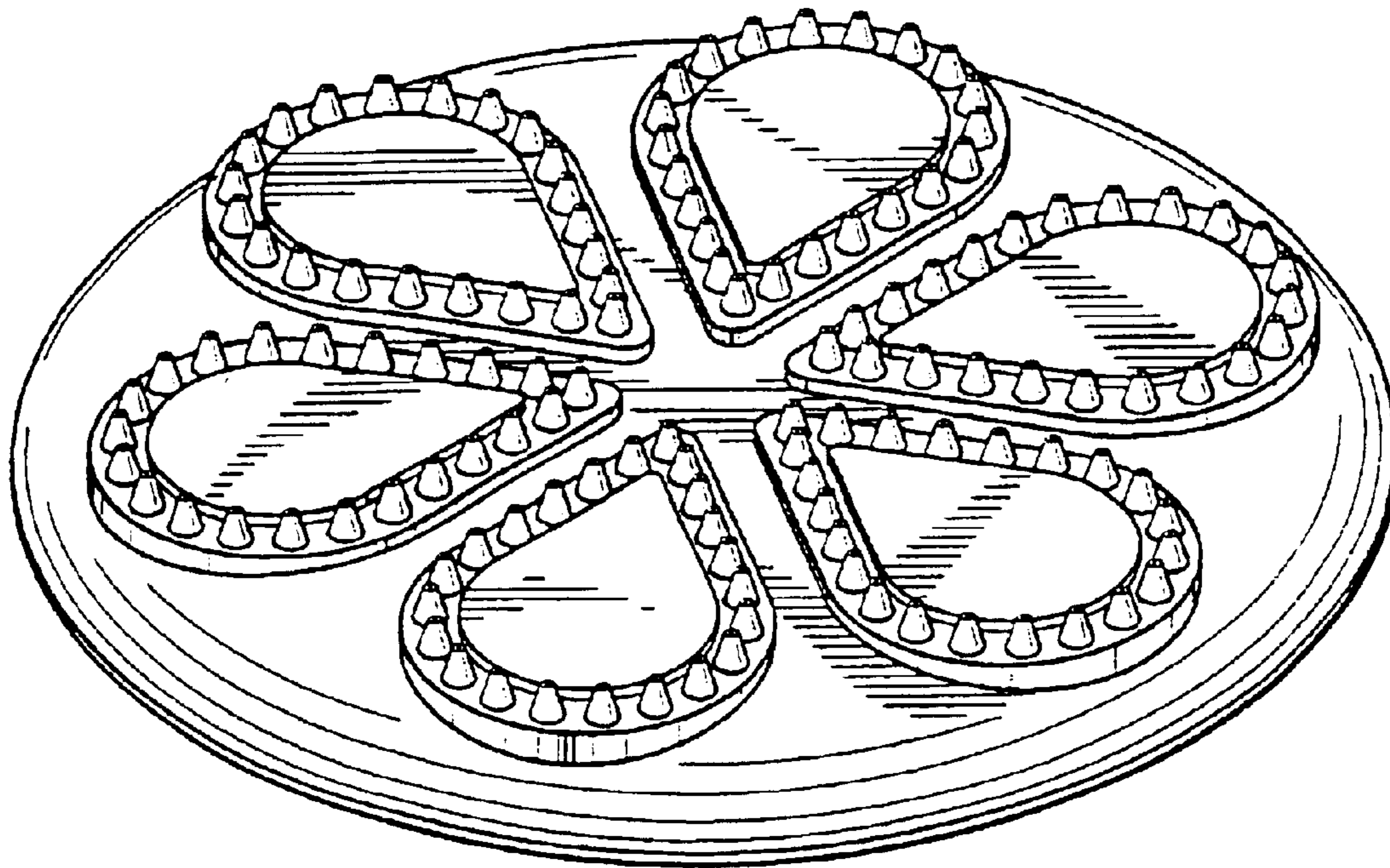


Fig. 1

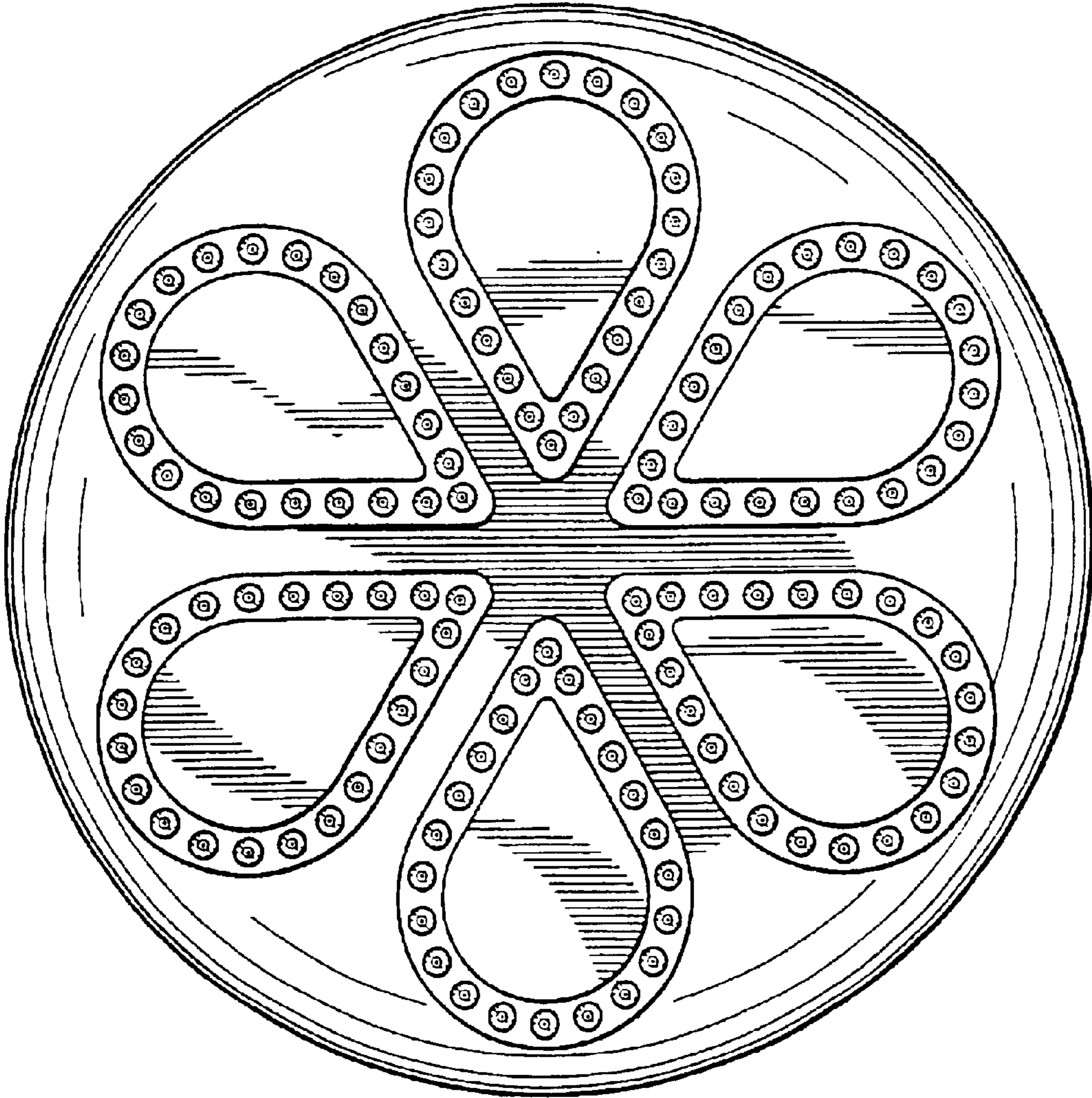


Fig. 2

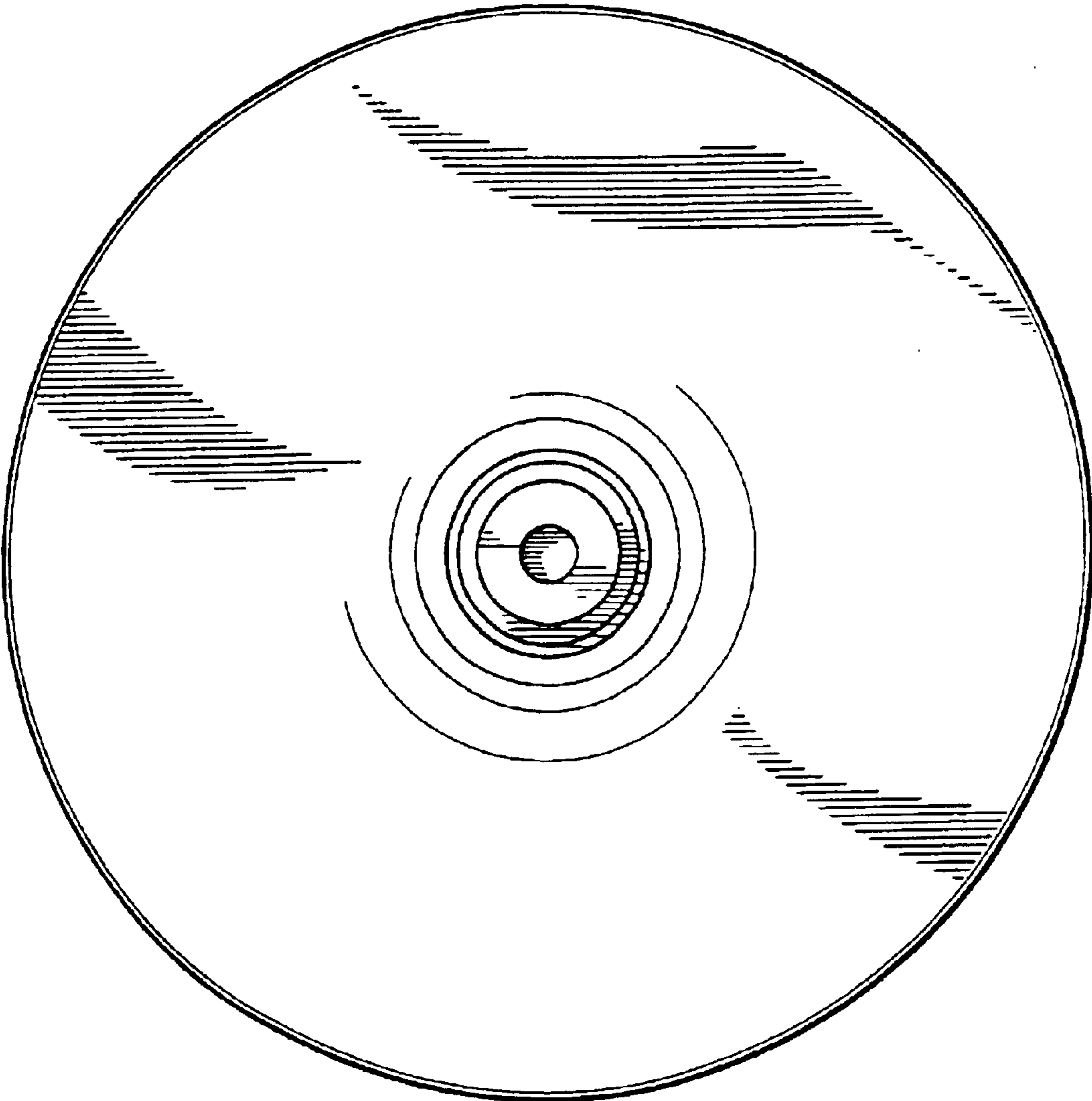


Fig. 3

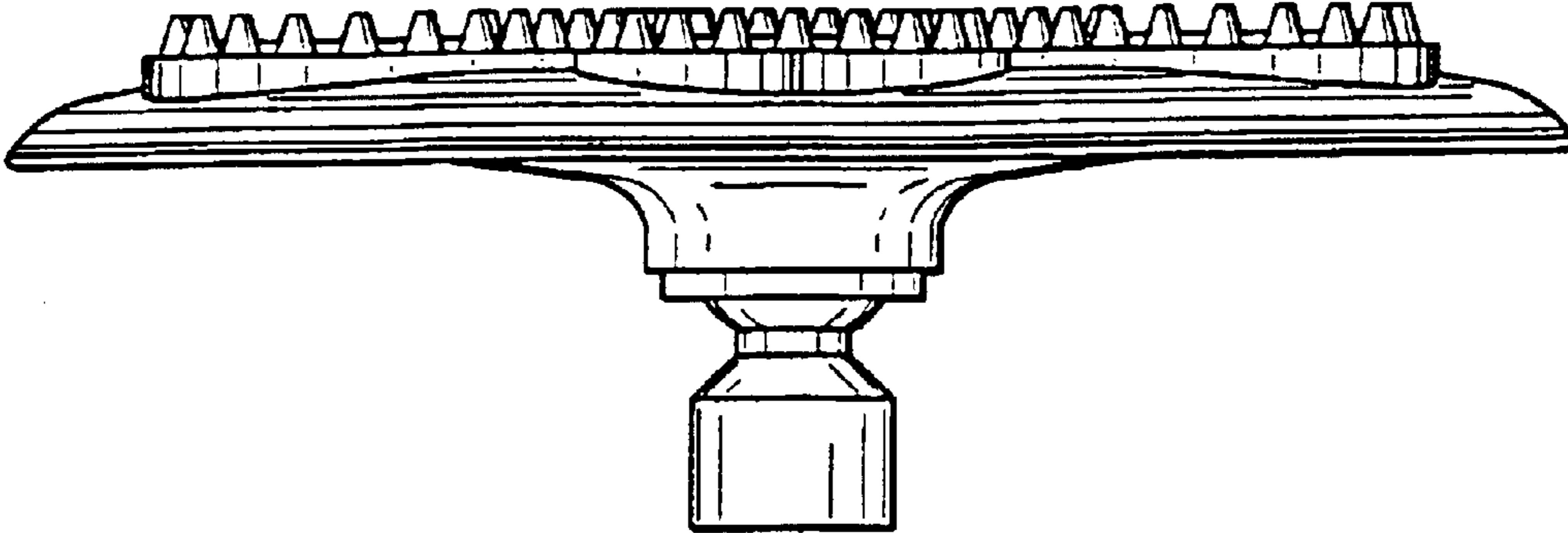


Fig. 4

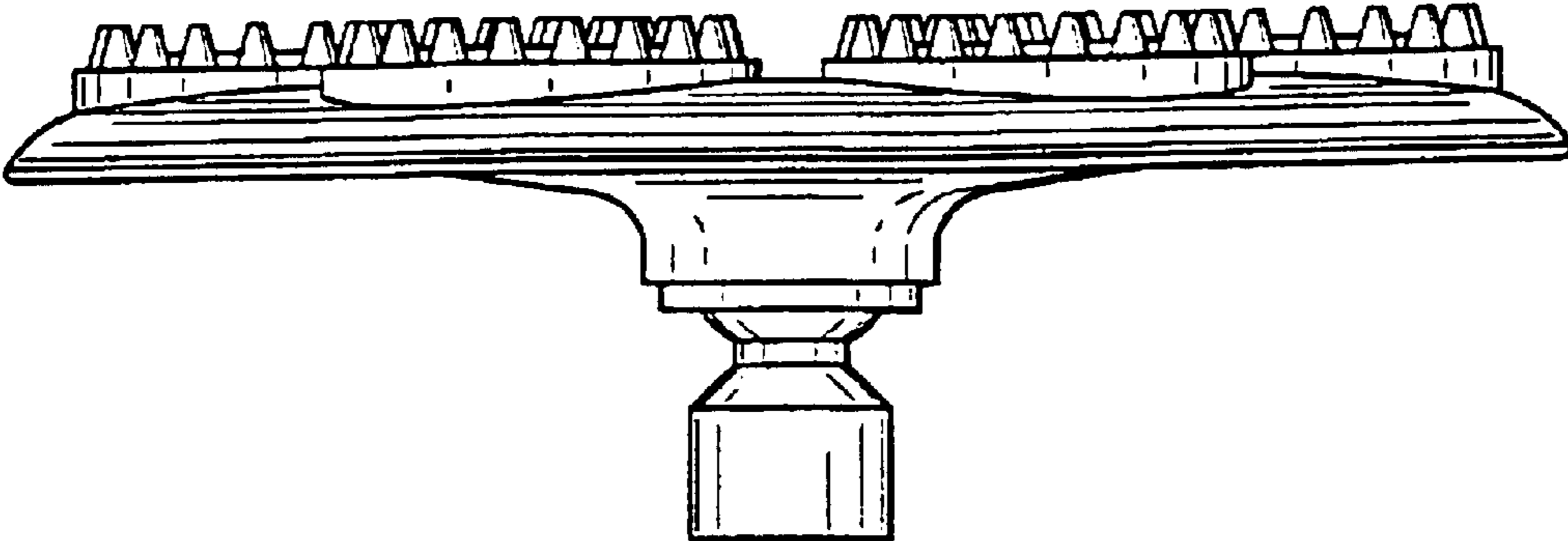


Fig. 5

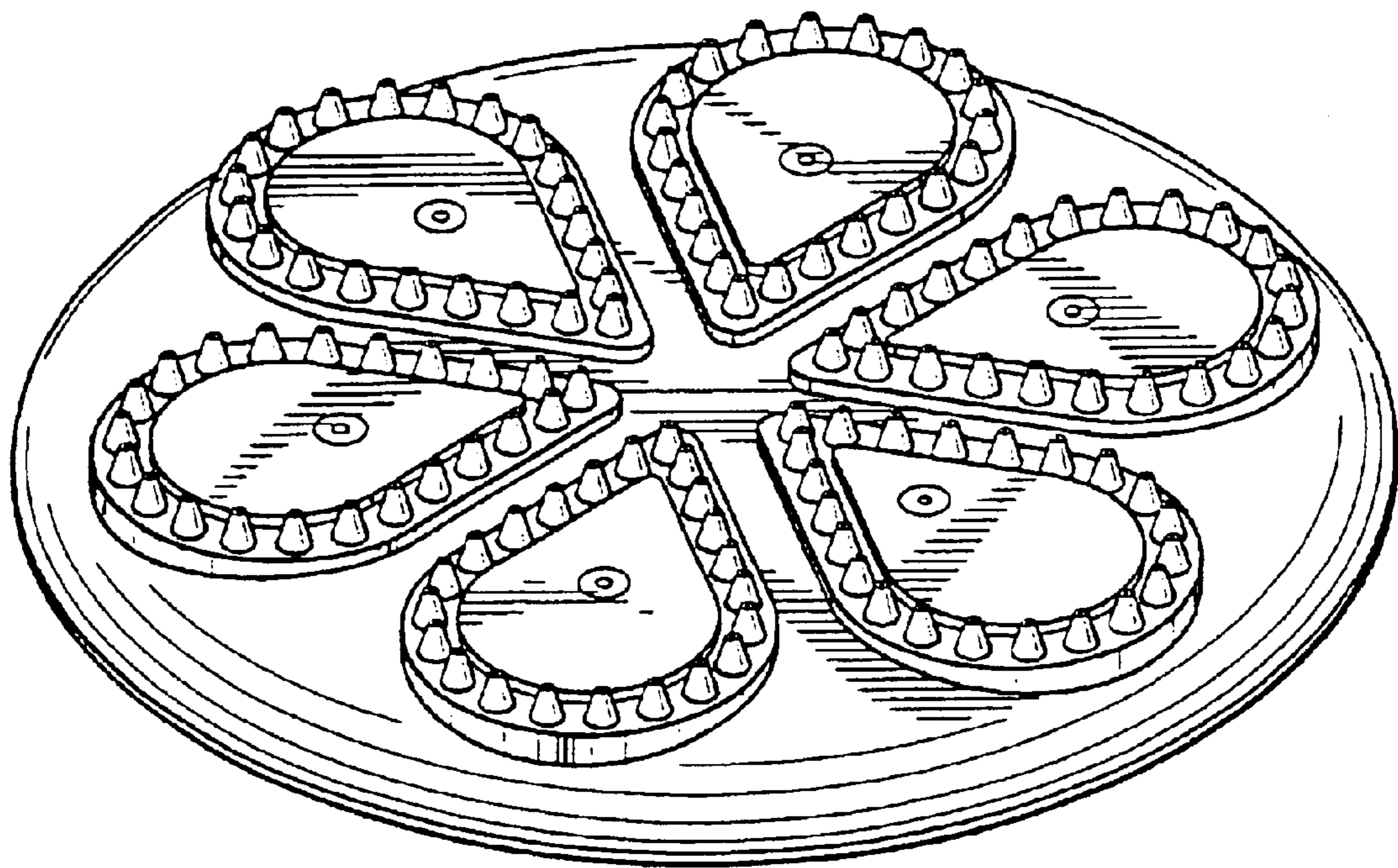


Fig. 6

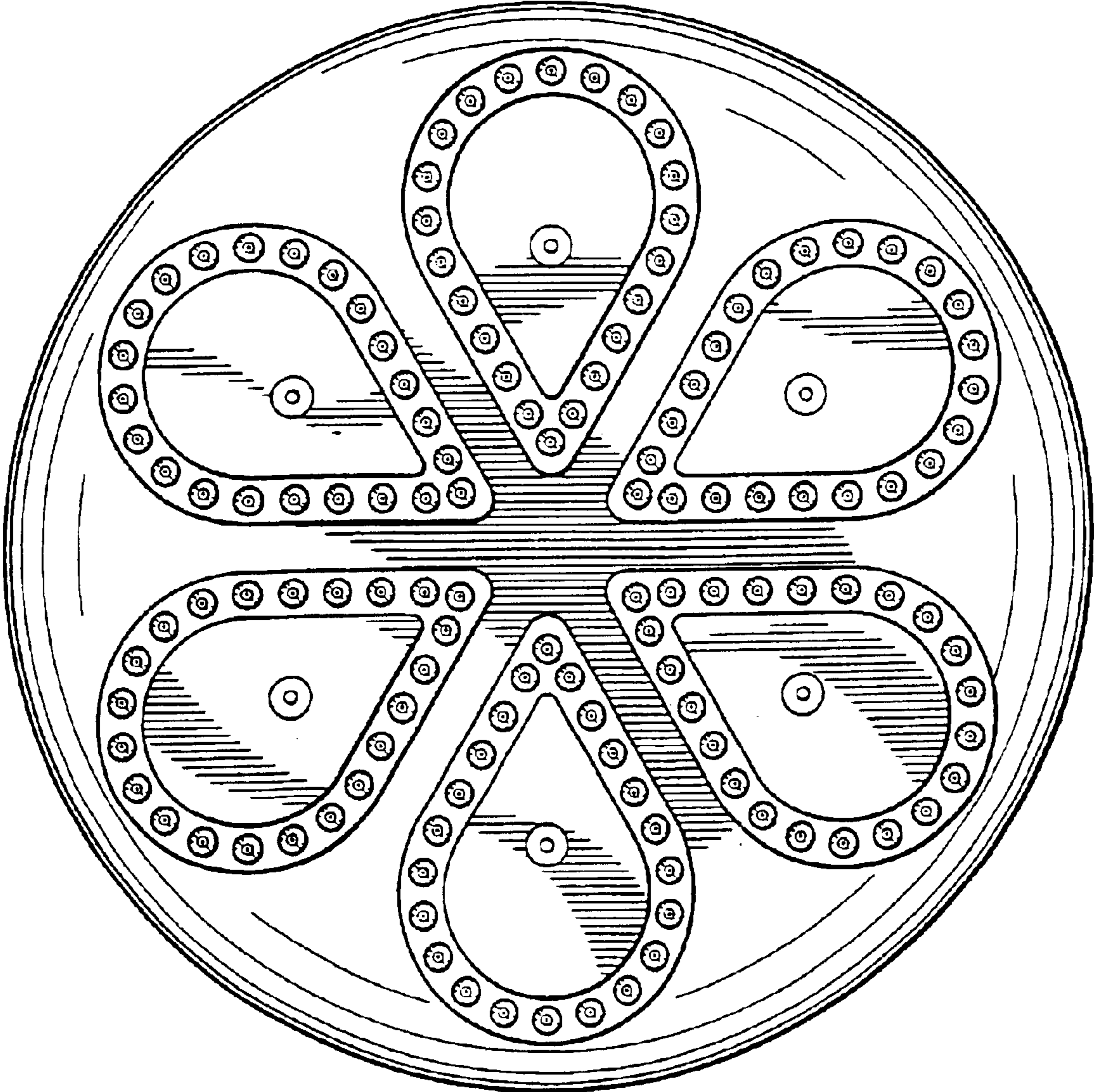


Fig. 7

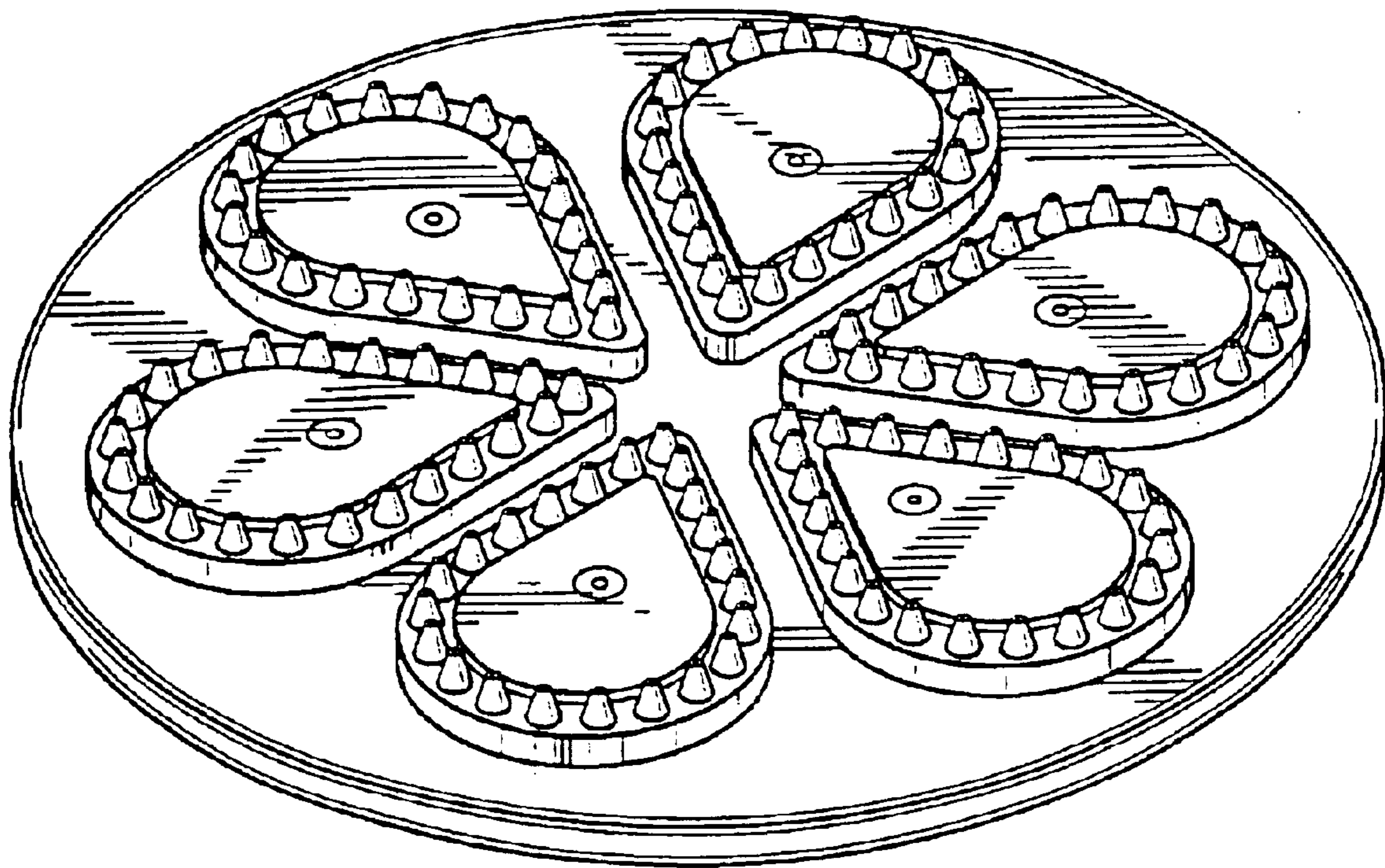


Fig. 8

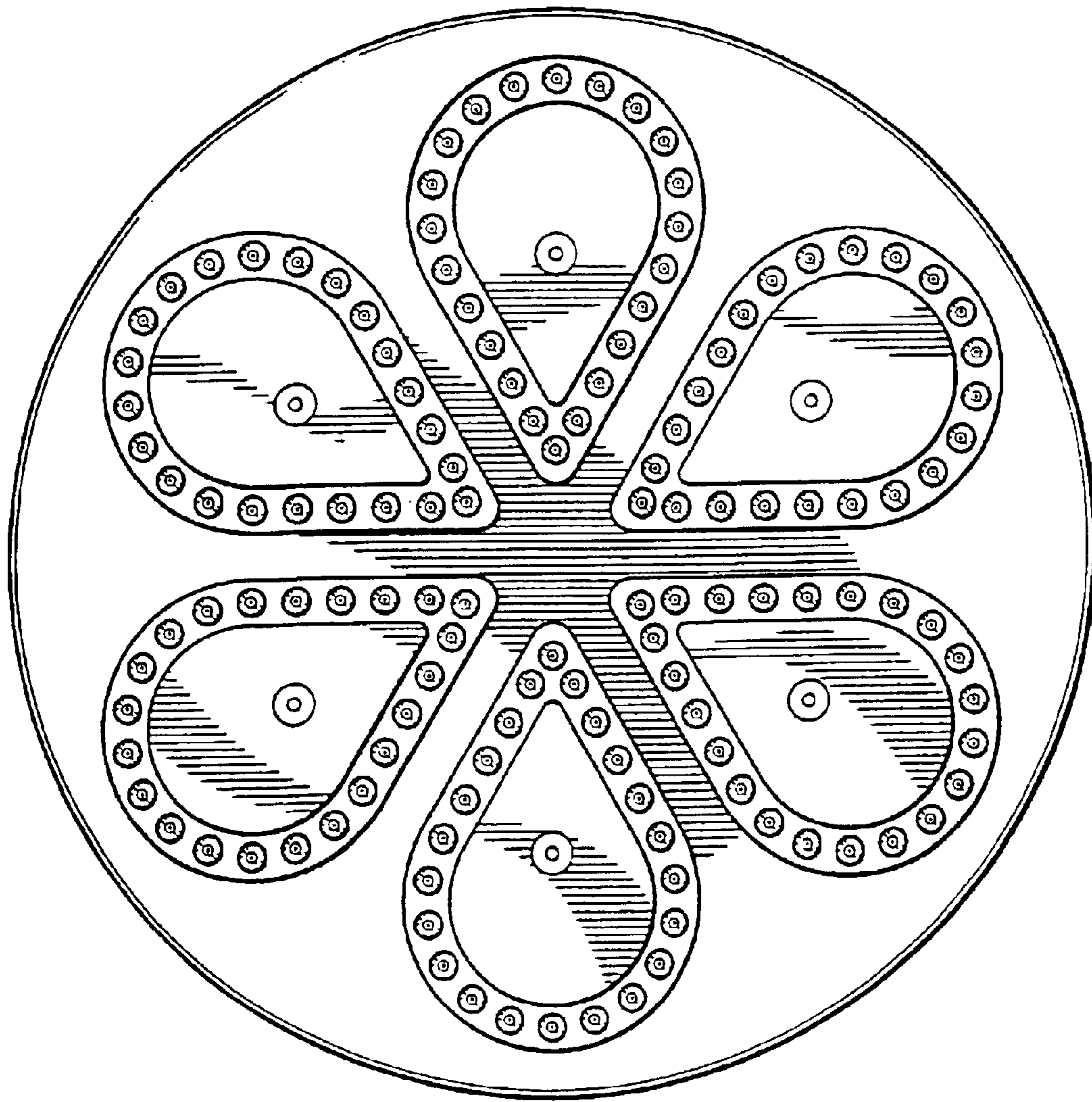


Fig. 9

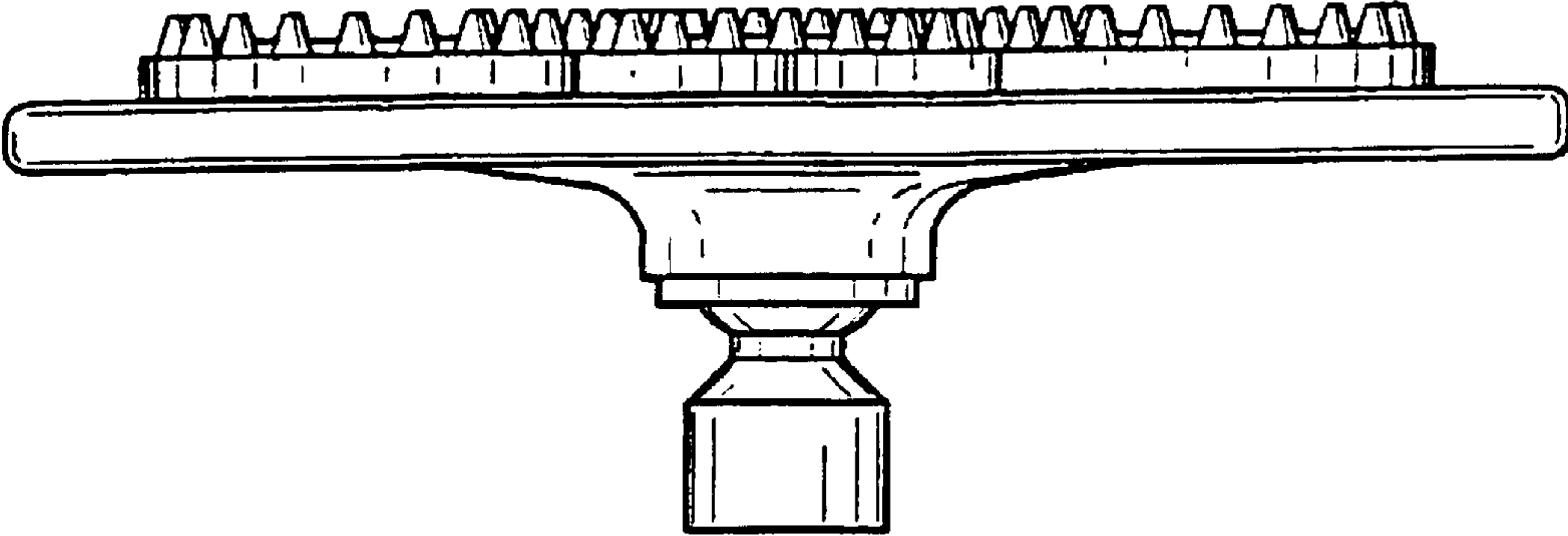


Fig. 10

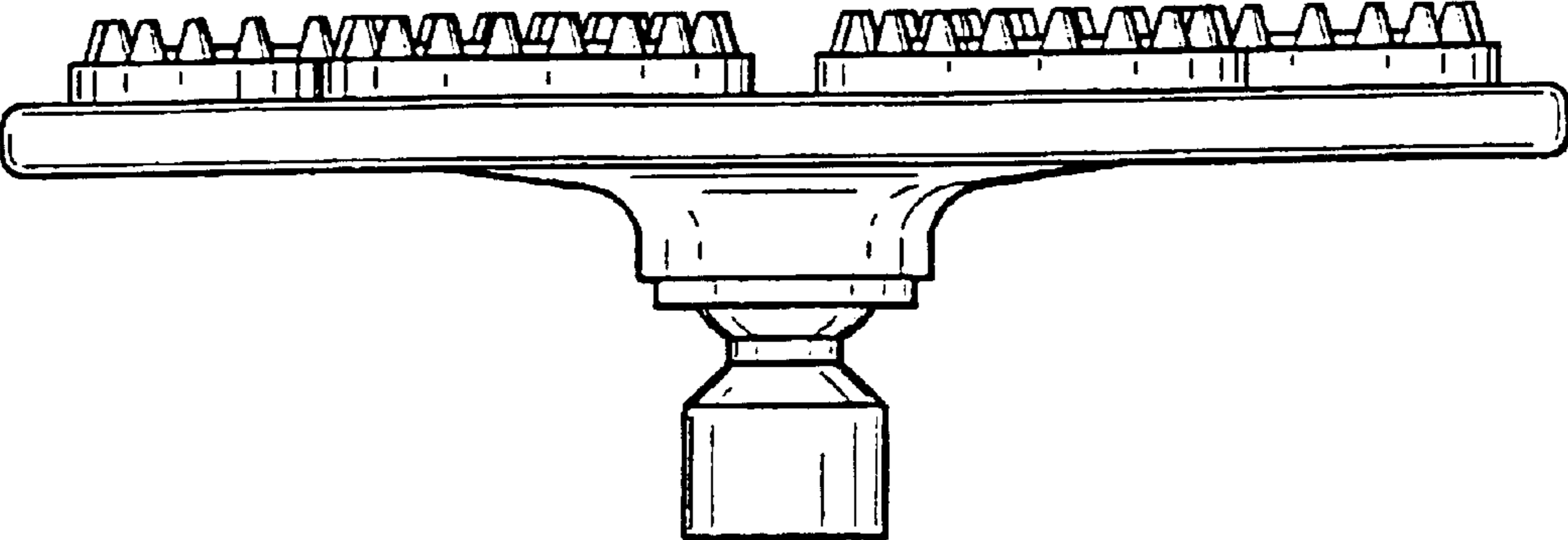


Fig. 11