

US00D495026S1

(12) **United States Design Patent**
Fulwider

(10) **Patent No.: US D495,026 S**
(45) **Date of Patent: ** Aug. 24, 2004**

(54) **HOSE NOZZLE**
(75) **Inventor: Rodger Leroy Fulwider, Springville, UT (US)**
(73) **Assignee: Orbit Irrigation Products, Inc., Bountiful, UT (US)**
(**) **Term: 14 Years**
(21) **Appl. No.: 29/187,712**
(22) **Filed: Aug. 6, 2003**
(51) **LOC (7) Cl. 23-01**
(52) **U.S. Cl. D23/213**
(58) **Field of Search D23/213, 223; 239/459, 602**

D413,962 S 9/1999 Hui-Chen
D414,244 S 9/1999 Hui-Chen
D415,554 S 10/1999 Hui-Chen
D456,487 S 4/2002 Bonzer
D456,488 S 4/2002 Bonzer
D456,489 S 4/2002 Bonzer
D456,490 S 4/2002 Bonzer
D472,300 S * 3/2003 Chen D23/213
D473,286 S * 4/2003 Bonzer D23/213
D479,573 S * 9/2003 Chen D23/213
D482,428 S * 11/2003 Fulwider D23/213

* cited by examiner

Primary Examiner—Robin V. Taylor
(74) *Attorney, Agent, or Firm*—Madson & Metcalf

(57) **CLAIM**

The ornamental design for a hose nozzle, as shown and described.

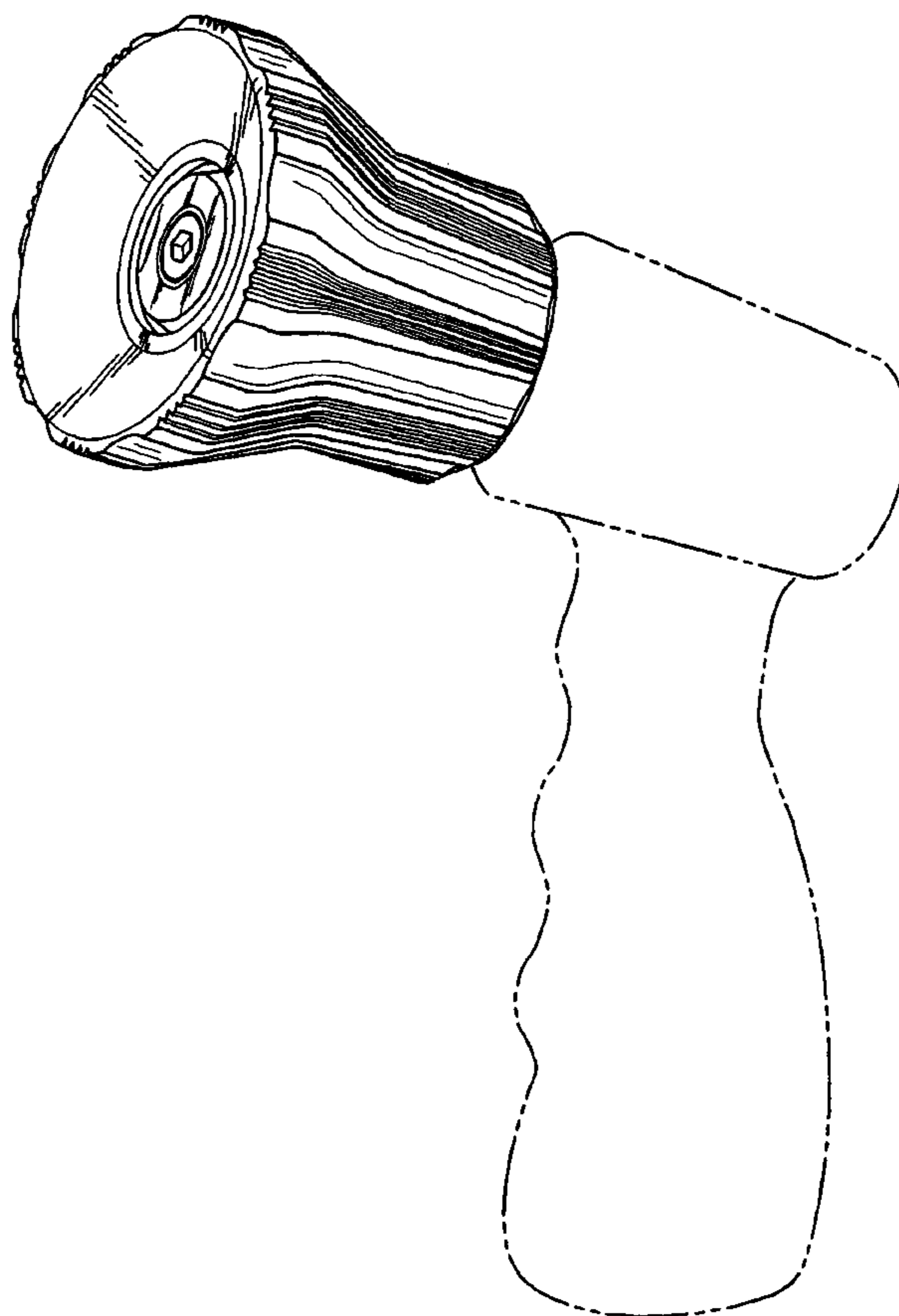
(56) **References Cited**
U.S. PATENT DOCUMENTS

3,102,691 A 9/1963 Gall
3,550,861 A 12/1970 Teson
4,614,303 A 9/1986 Moseley, Jr. et al.
4,789,104 A 12/1988 Anderson
D308,411 S 6/1990 Allemann et al.
D380,034 S 6/1997 Simonette
D391,349 S 2/1998 Chih
5,795,053 A 8/1998 Pierce
D403,407 S 12/1998 Hui-Chen

DESCRIPTION

FIG. 1 is a perspective view of the hose nozzle.
FIG. 2 is a side plan view of the hose nozzle.
FIG. 3 is a side plan view of the hose nozzle.
FIG. 4 is a top plan view of the hose nozzle.
FIG. 5 is a front plan view of the hose nozzle; and,
FIG. 6 is a rear plan view of the hose nozzle.

1 Claim, 4 Drawing Sheets



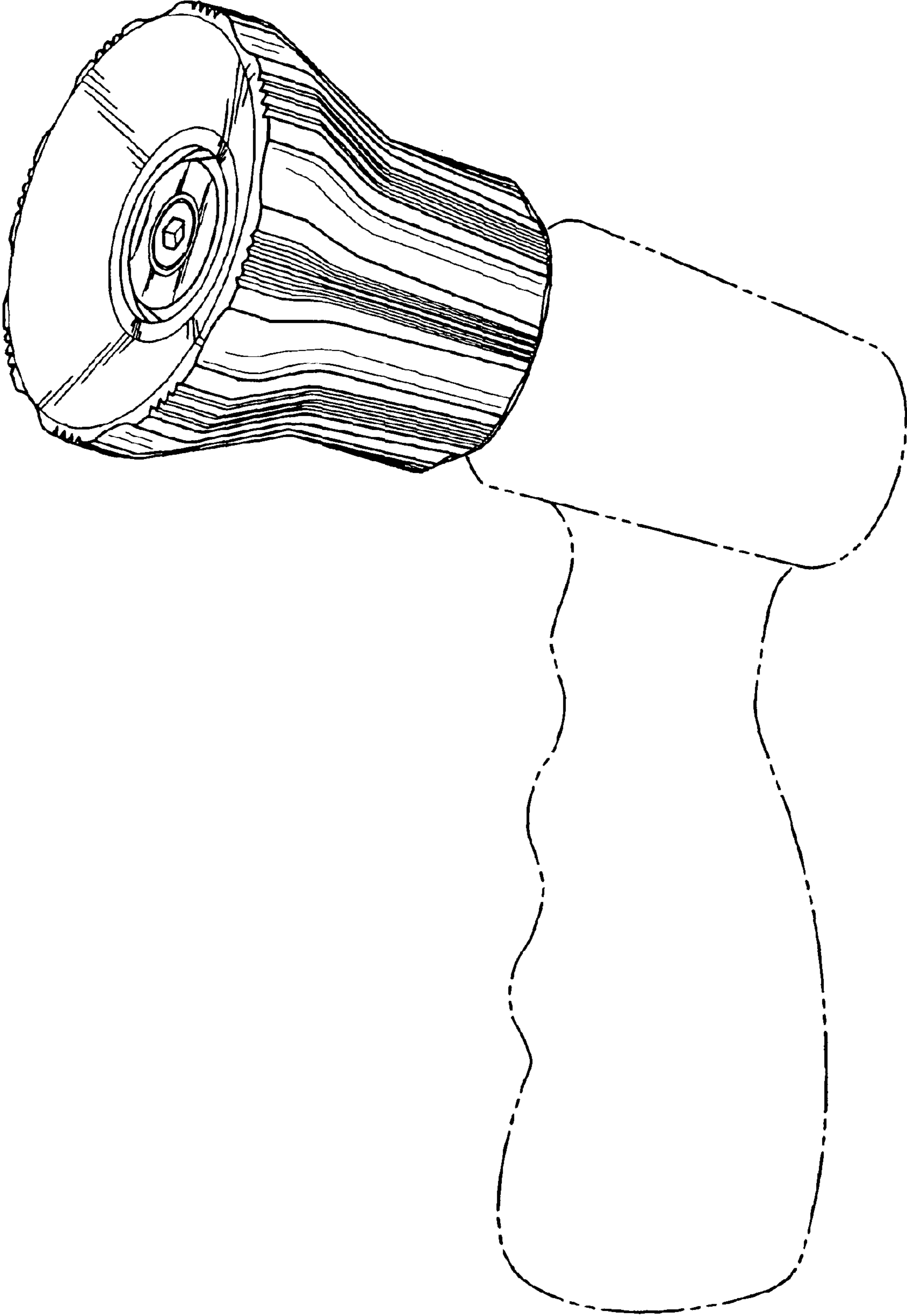


Fig. 1

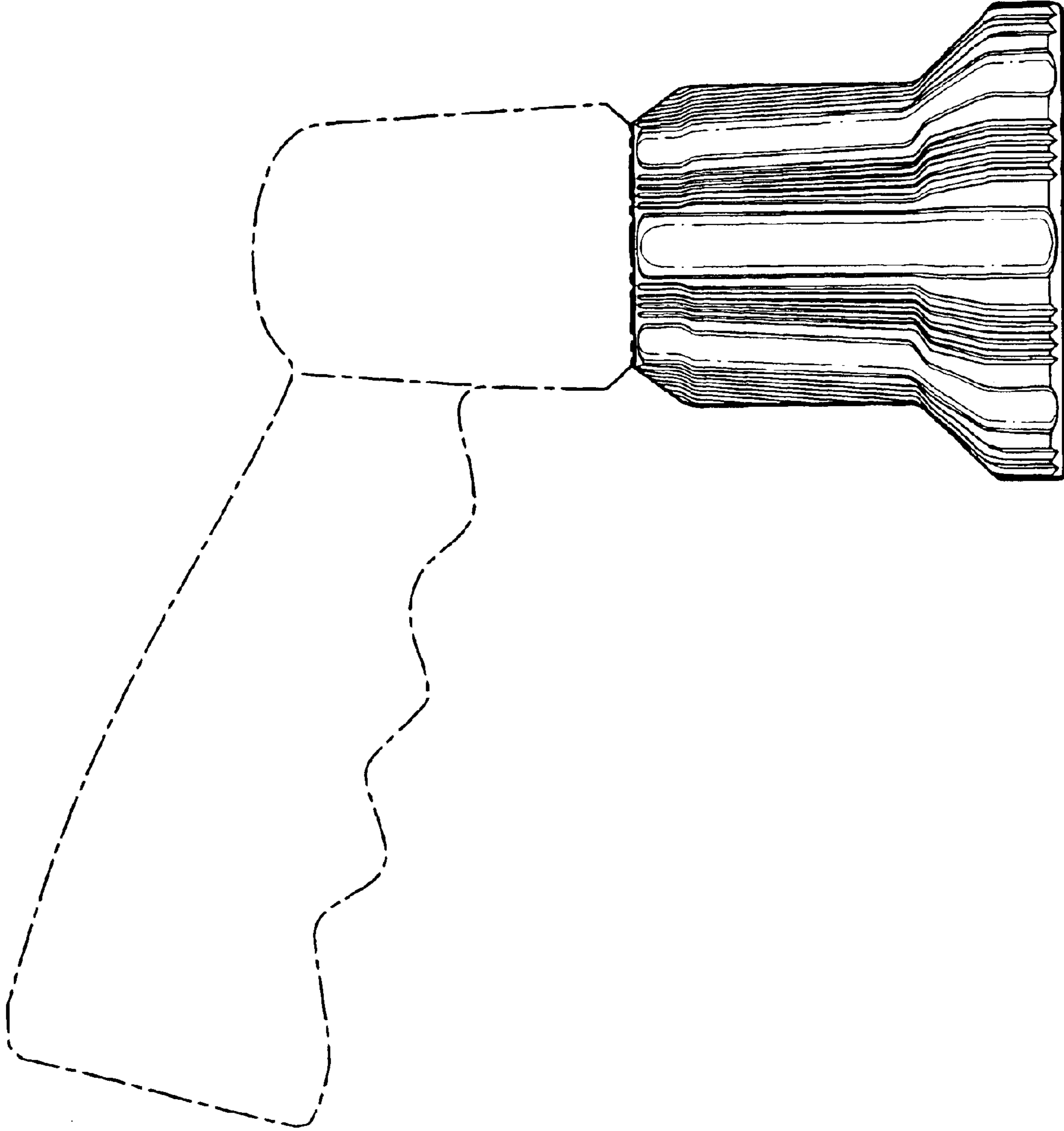


Fig. 2

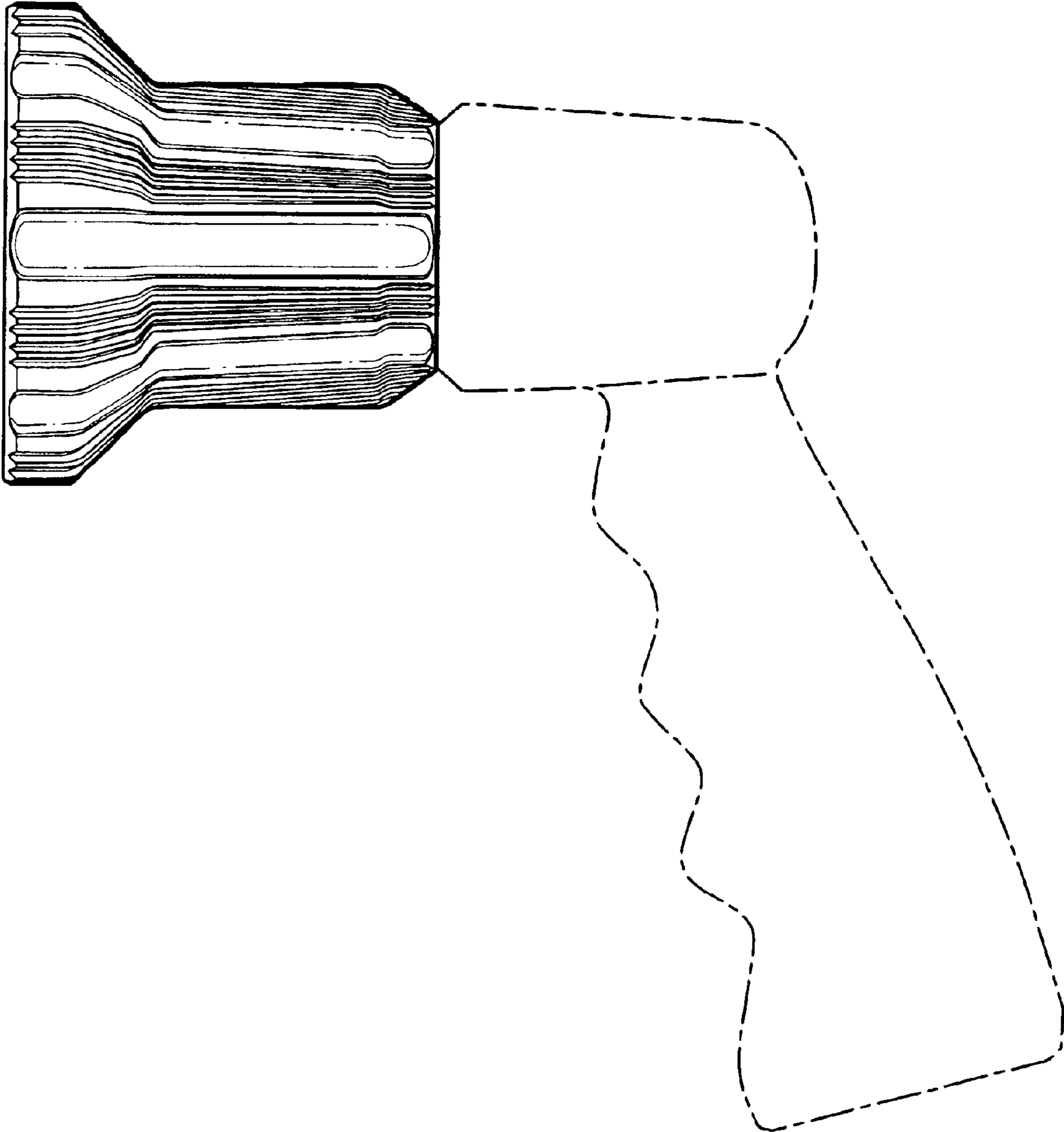


Fig. 3

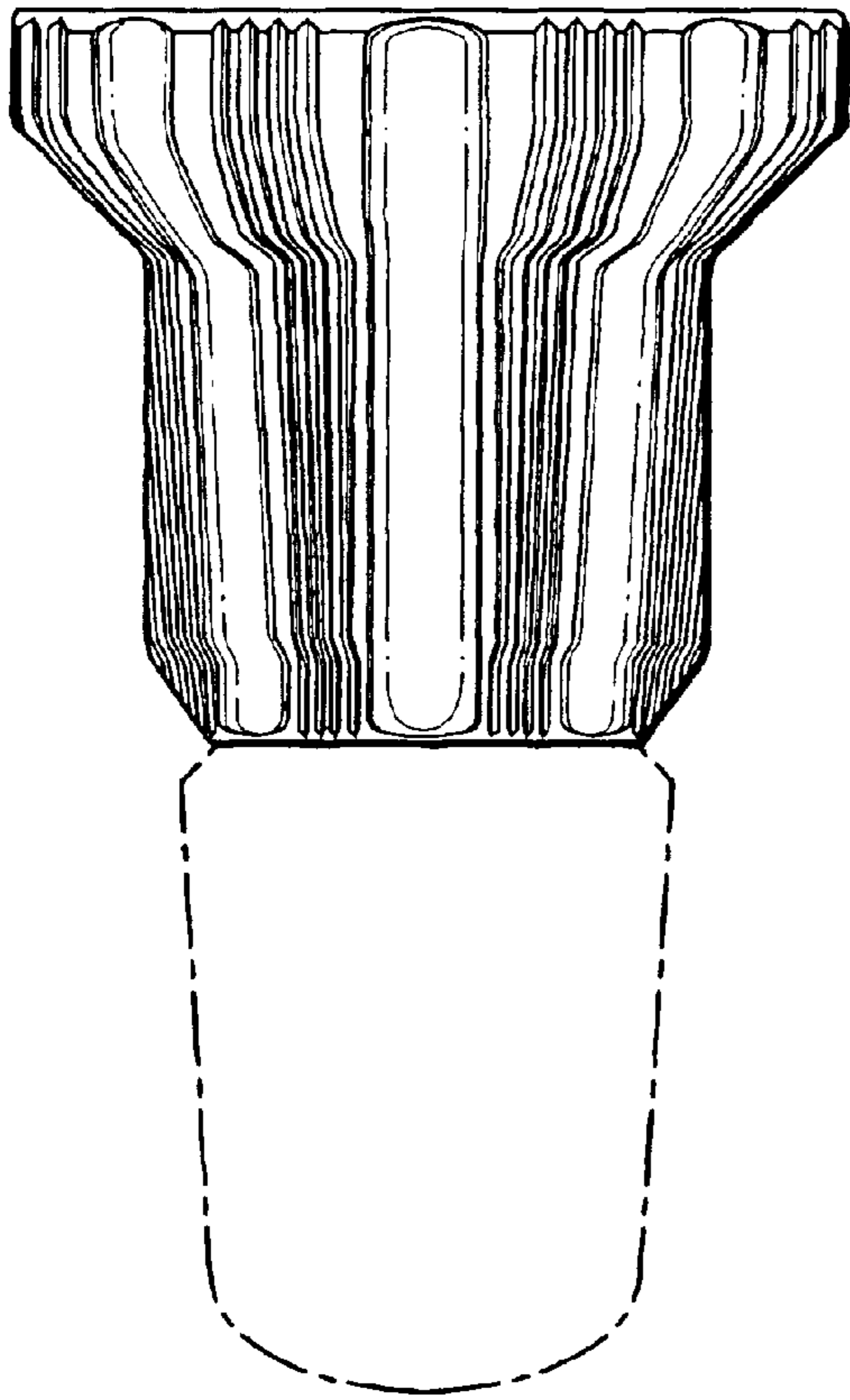


Fig. 4

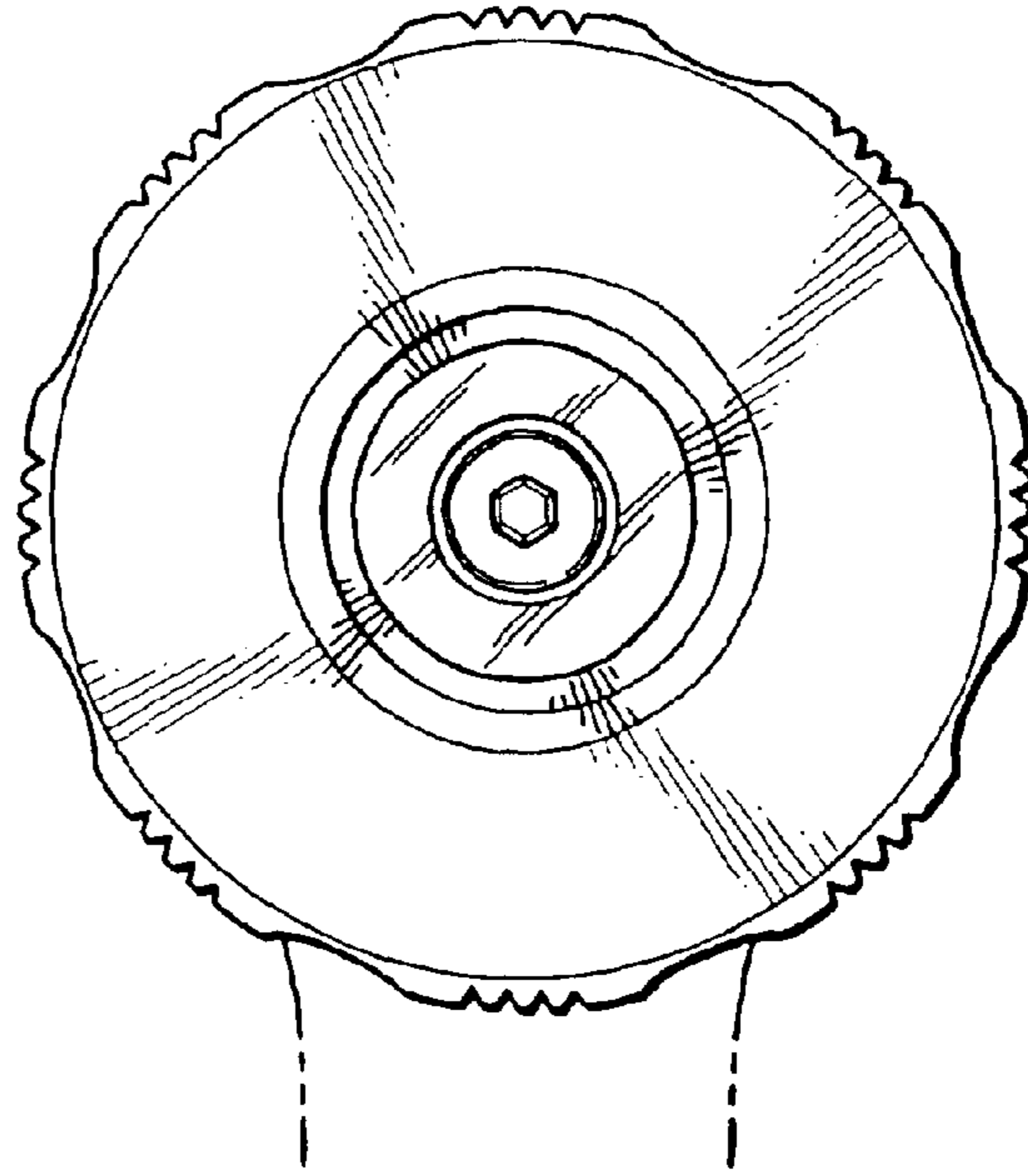


Fig. 5

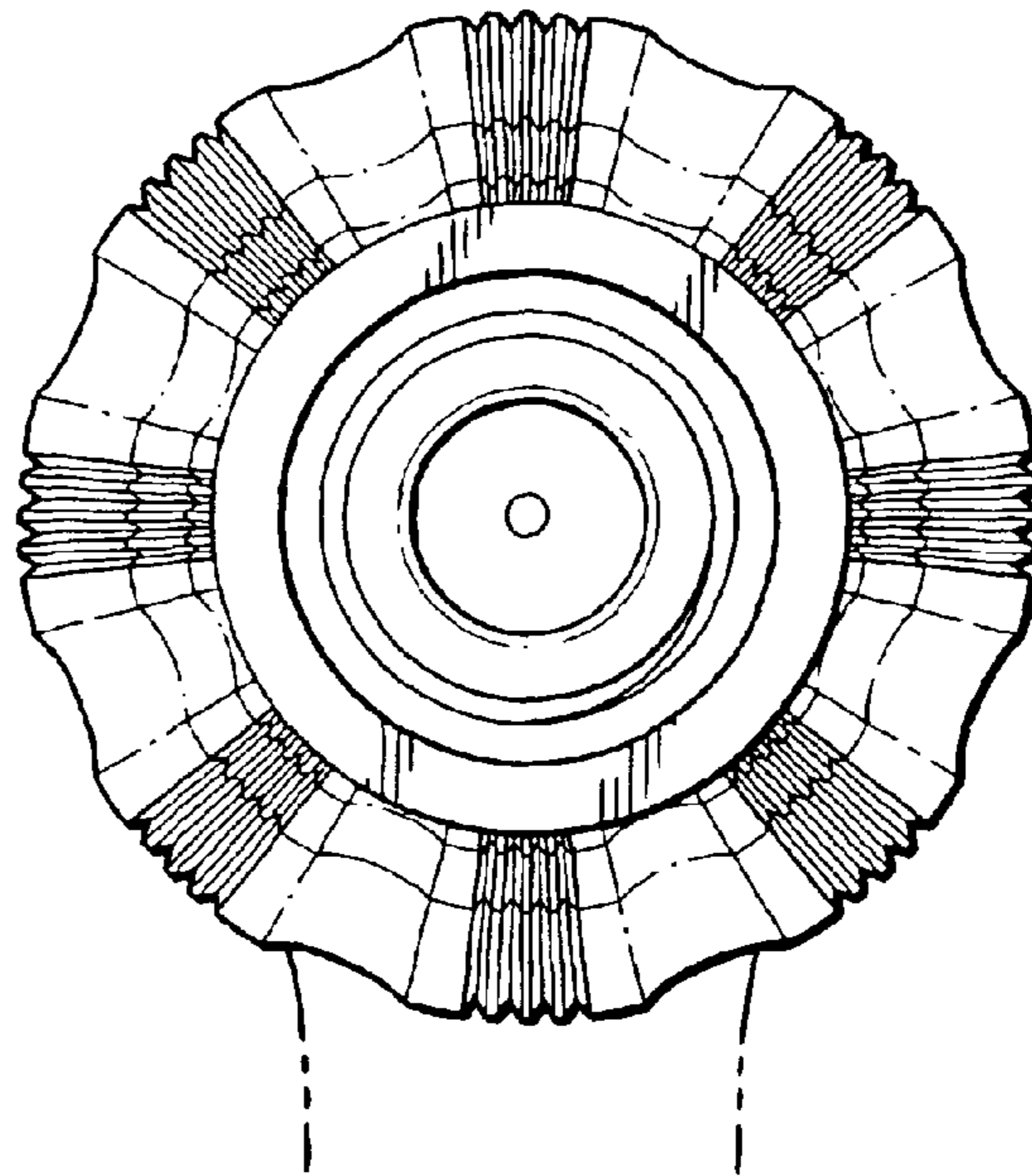


Fig. 6