



US00D495025S1

(12) **United States Design Patent**
Malcarne

(10) **Patent No.:** **US D495,025 S**
(45) **Date of Patent:** **** Aug. 24, 2004**

(54) **ROLLER GUIDE FOR USE WITH FISHING RODS**

D462,414 S * 9/2002 Gustlin D22/143

* cited by examiner

(75) Inventor: **Frederick Joseph Malcarne,**
Westbrook, CT (US)

Primary Examiner—Catherine R. Oliver
(74) *Attorney, Agent, or Firm*—Cantor Colburn LLP

(73) Assignee: **Winthrop Tool LLC,** Deep River, CT (US)

(57) **CLAIM**

(**) Term: **14 Years**

I claim, the ornamental design for a roller guide for use with fishing rods, as shown and described.

(21) Appl. No.: **29/190,141**

DESCRIPTION

(22) Filed: **Sep. 15, 2003**

FIG. 1 is a top plan view of a roller guide for a fishing rod showing my new design;

(51) **LOC (7) Cl.** **22-05**

FIG. 2 is a right side elevational view thereof;

(52) **U.S. Cl.** **D22/143**

FIG. 3 is a bottom plan view thereof;

(58) **Field of Search** D22/143, 139,
D22/138; 43/18, 24

FIG. 4 is a front view thereof; and,

FIG. 5 is a rear view.

(56) **References Cited**

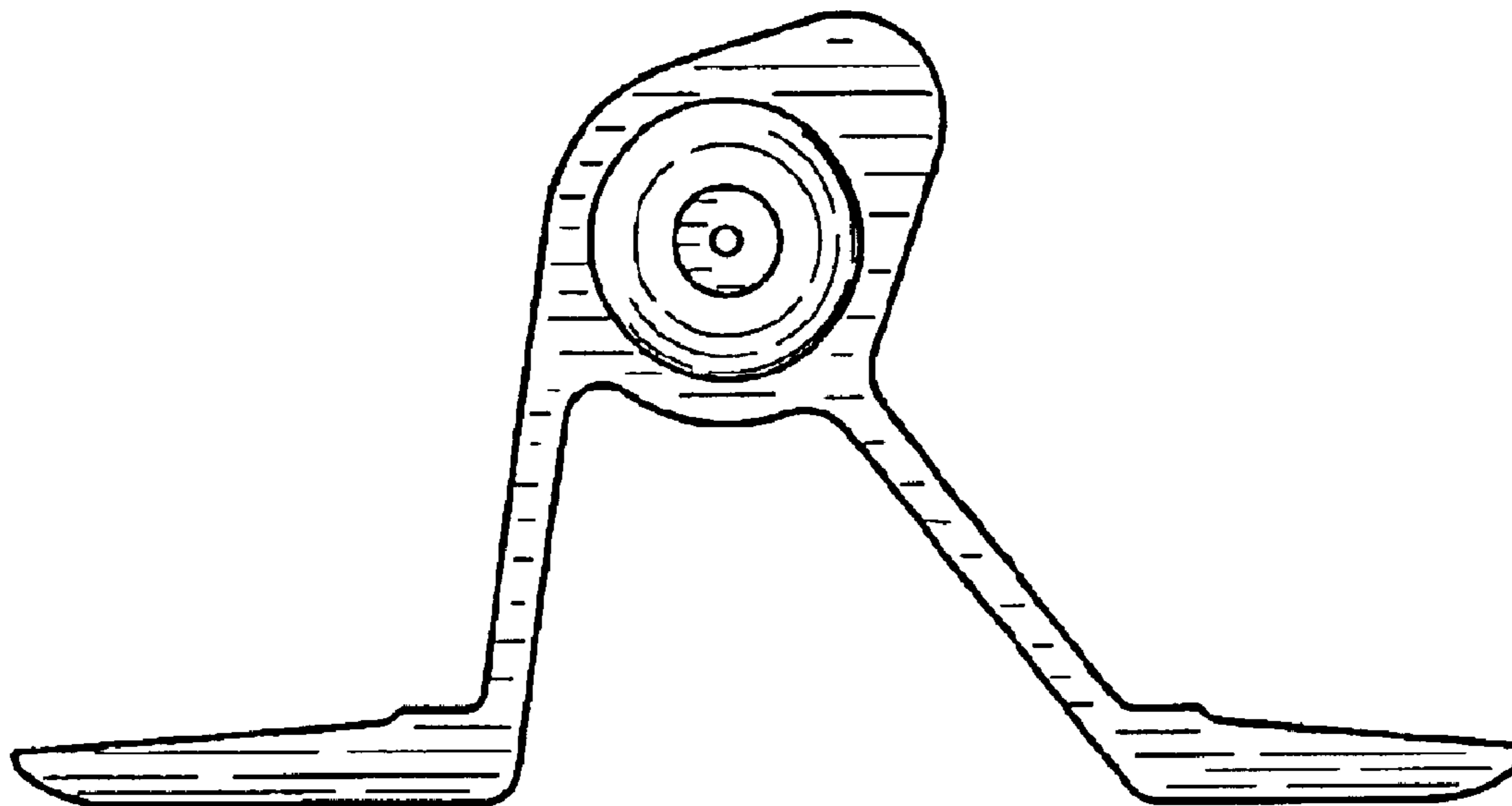
The left side of the illustrated base for the roller guide is not shown because it is a mirror image of the right side shown in FIG. 2.

U.S. PATENT DOCUMENTS

Any broken line illustration in the drawing disclosure is not part of the design sought to be patented.

- D292,115 S * 9/1987 Ziemelis D22/143
- D425,964 S * 5/2000 Lin D22/143
- D439,301 S * 3/2001 Lin D22/143

1 Claim, 1 Drawing Sheet



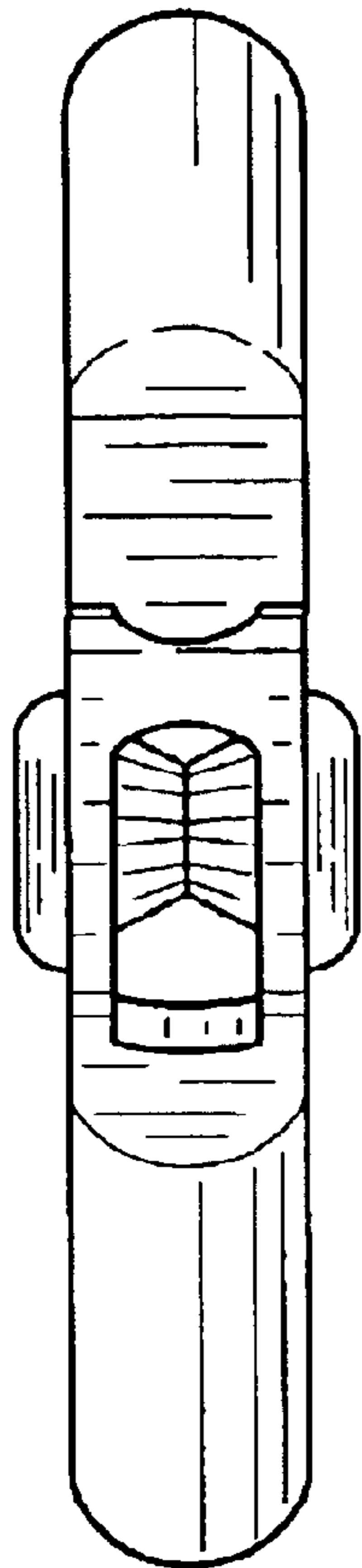


Fig. 1

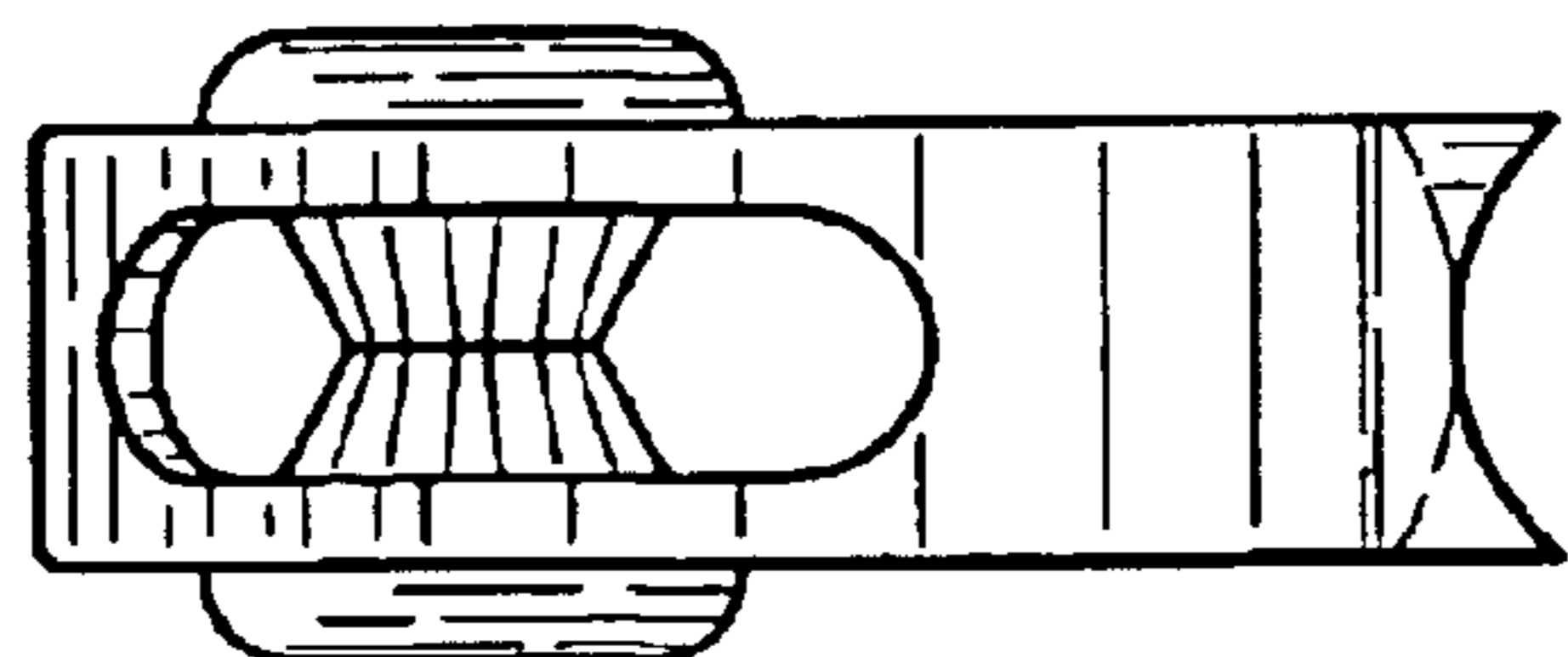


Fig. 4

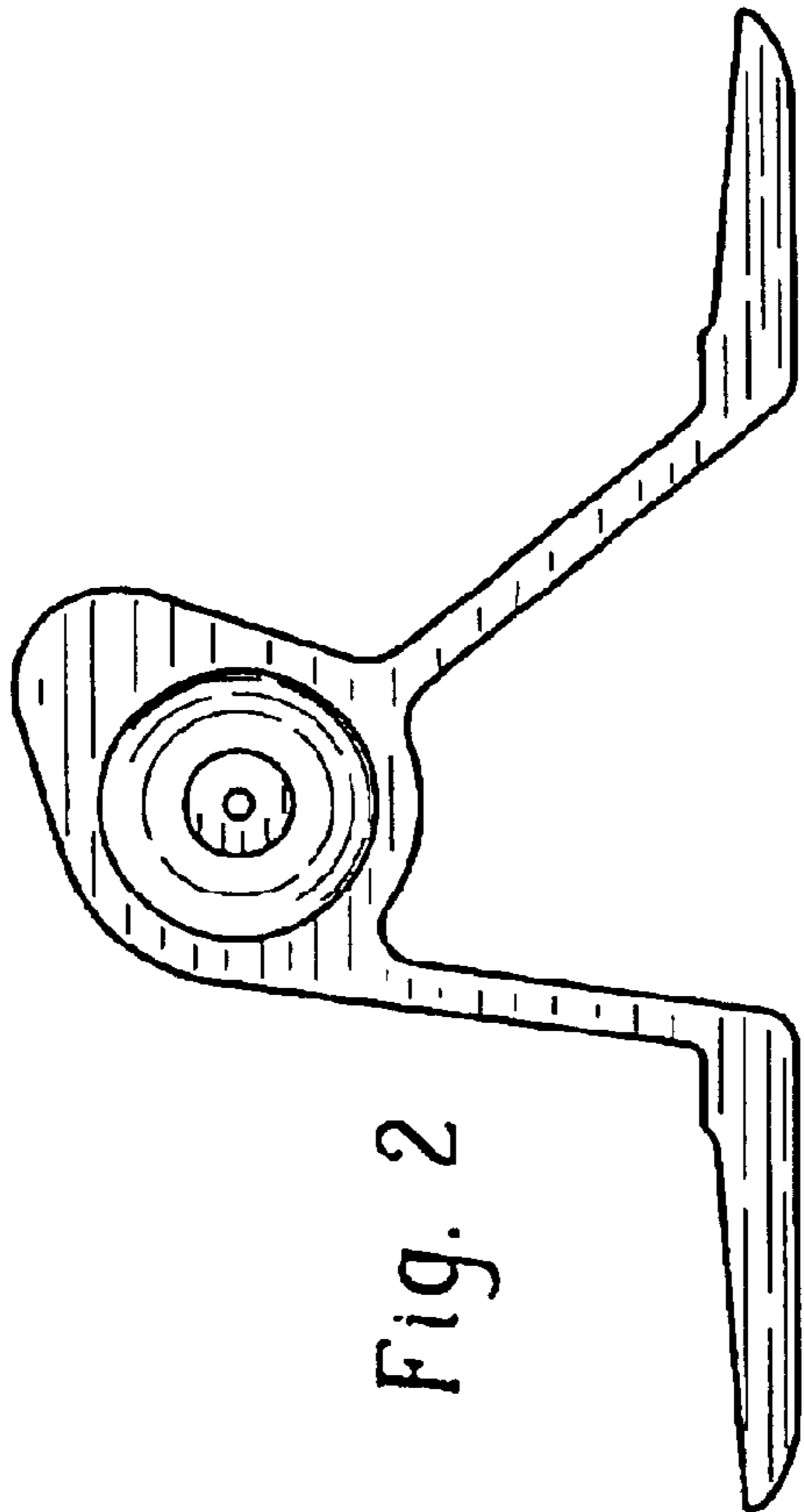


Fig. 2

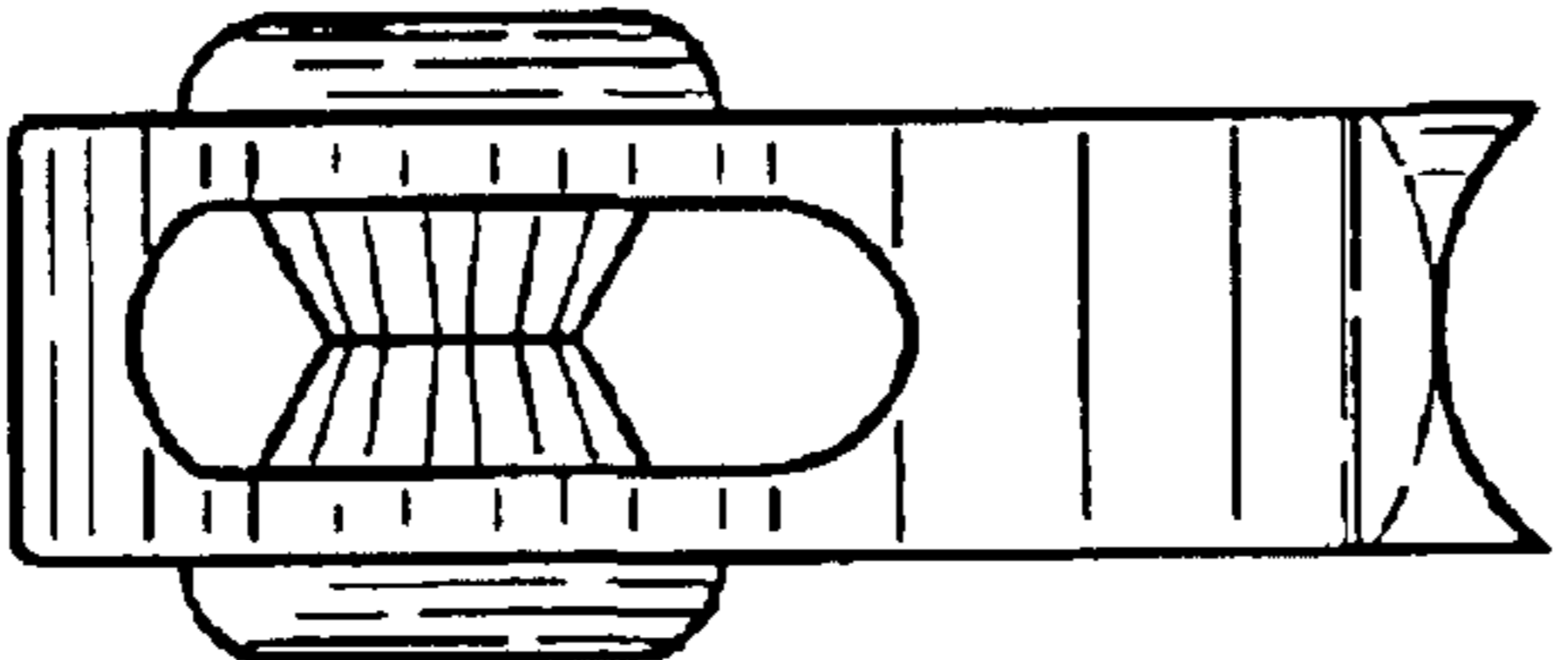


Fig. 5

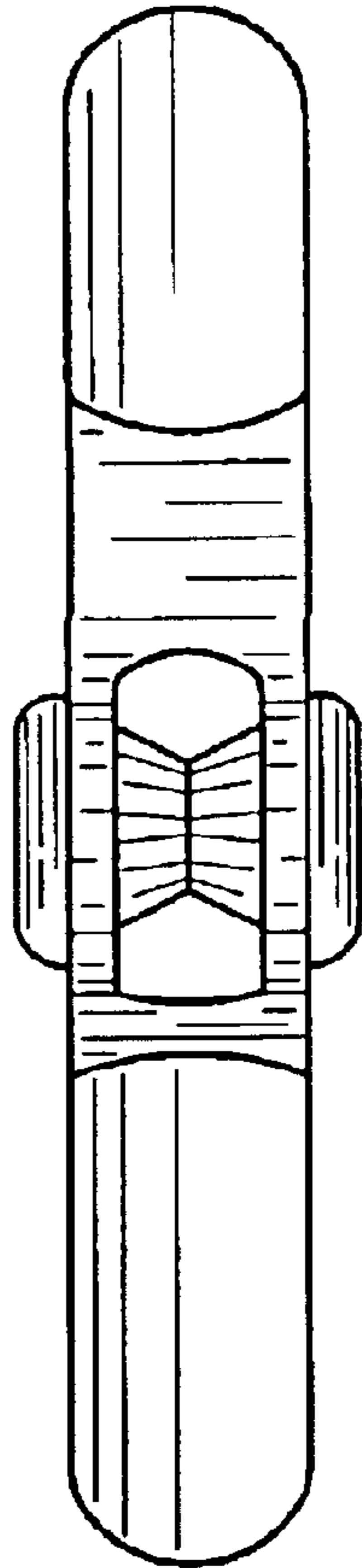


Fig. 3