

US00D495021S1

(12) **United States Design Patent**  
**Gray**

(10) **Patent No.:** **US D495,021 S**

(45) **Date of Patent:** **\*\* Aug. 24, 2004**

(54) **HOSEL FOR A GOLF CLUB**

D464,695 S 10/2002 Long

(75) **Inventor:** **William Patrick Gray**, Greenville, SC (US)

\* cited by examiner

(73) **Assignee:** **Focus Golf Systems, Inc.**, Greenville, SC (US)

*Primary Examiner*—Mitchell Siegel

(74) *Attorney, Agent, or Firm*—Douglas W. Kim; McNair Law Firm, P.A.

(\*\*) **Term:** **14 Years**

(57) **CLAIM**

The ornamental design for a hosel for a golf club, as shown and described.

(21) **Appl. No.:** **29/190,940**

(22) **Filed:** **Sep. 29, 2003**

**DESCRIPTION**

(51) **LOC (7) Cl.** ..... **21-02**

FIG. 1 is a perspective view of a hosel for a golf club with the shading on the hosel denoting its contrasting color with the shaft;

(52) **U.S. Cl.** ..... **D21/759**

FIG. 2 is a side view thereof;

(58) **Field of Search** ..... D21/736–746,  
D21/759; 473/340, 341, 305–315

FIG. 3 is a side view thereof;

FIG. 4 is a back view thereof;

FIG. 5 is a front view thereof; and,

FIG. 6 is a perspective view thereof.

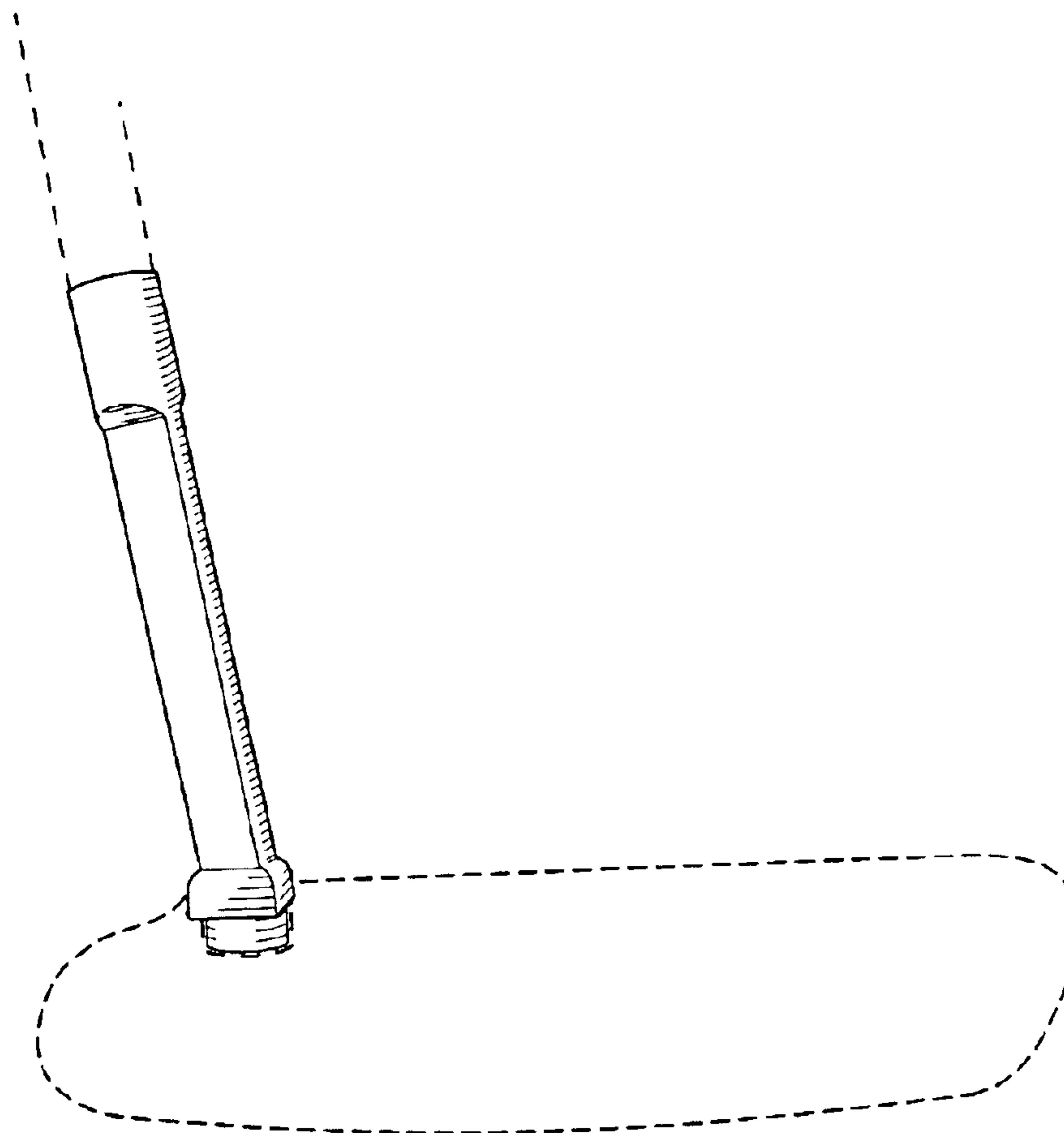
(56) **References Cited**

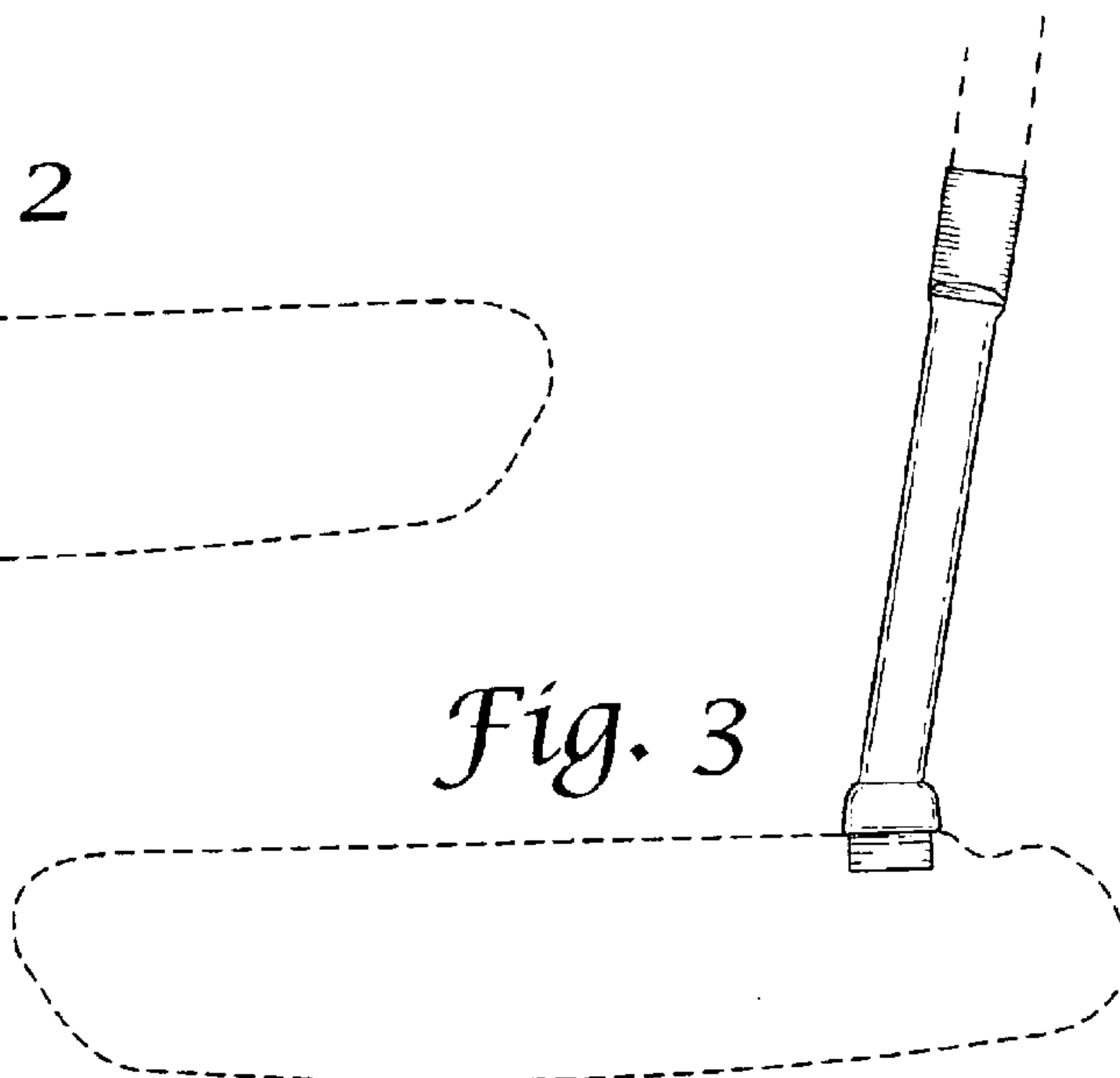
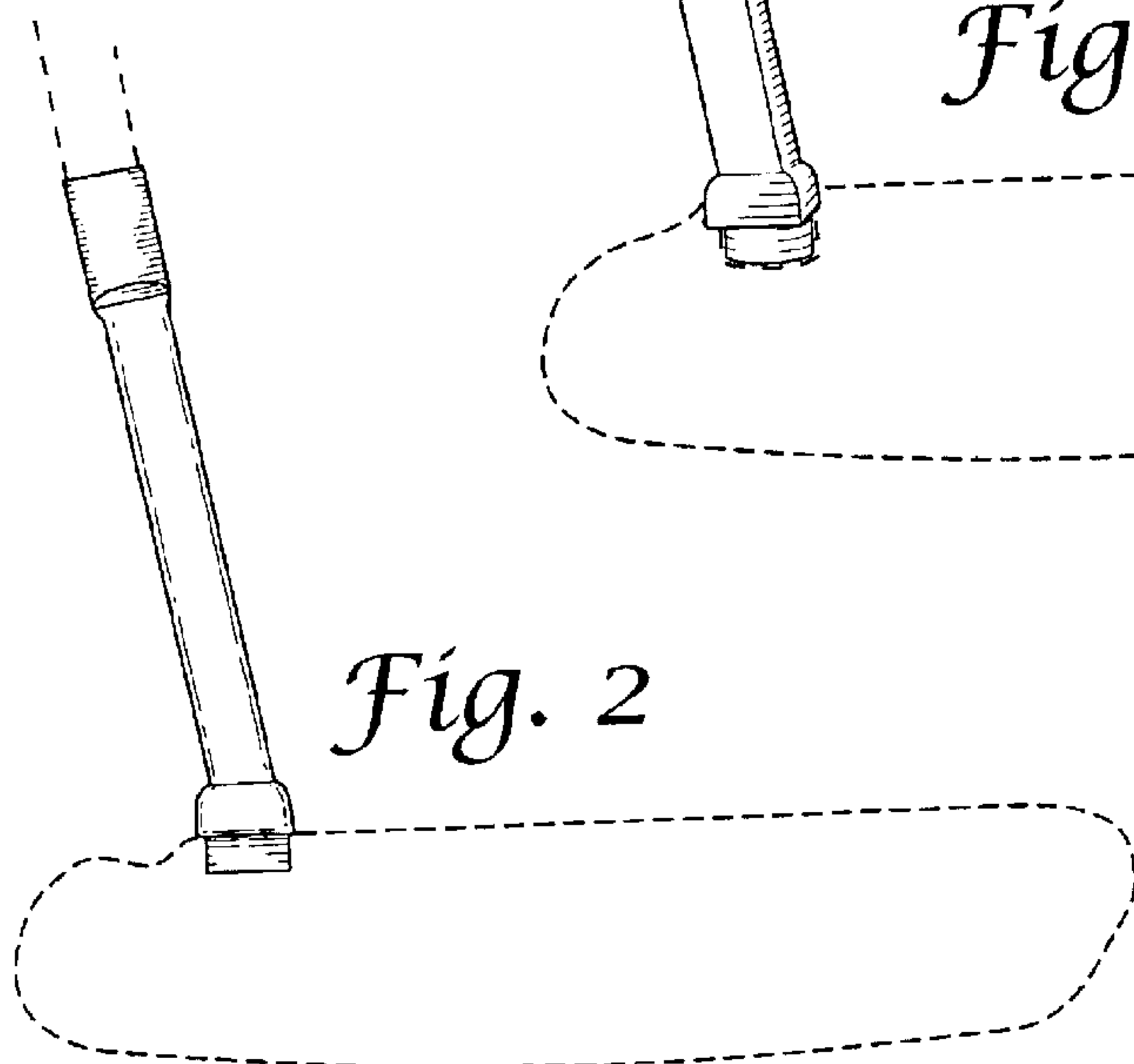
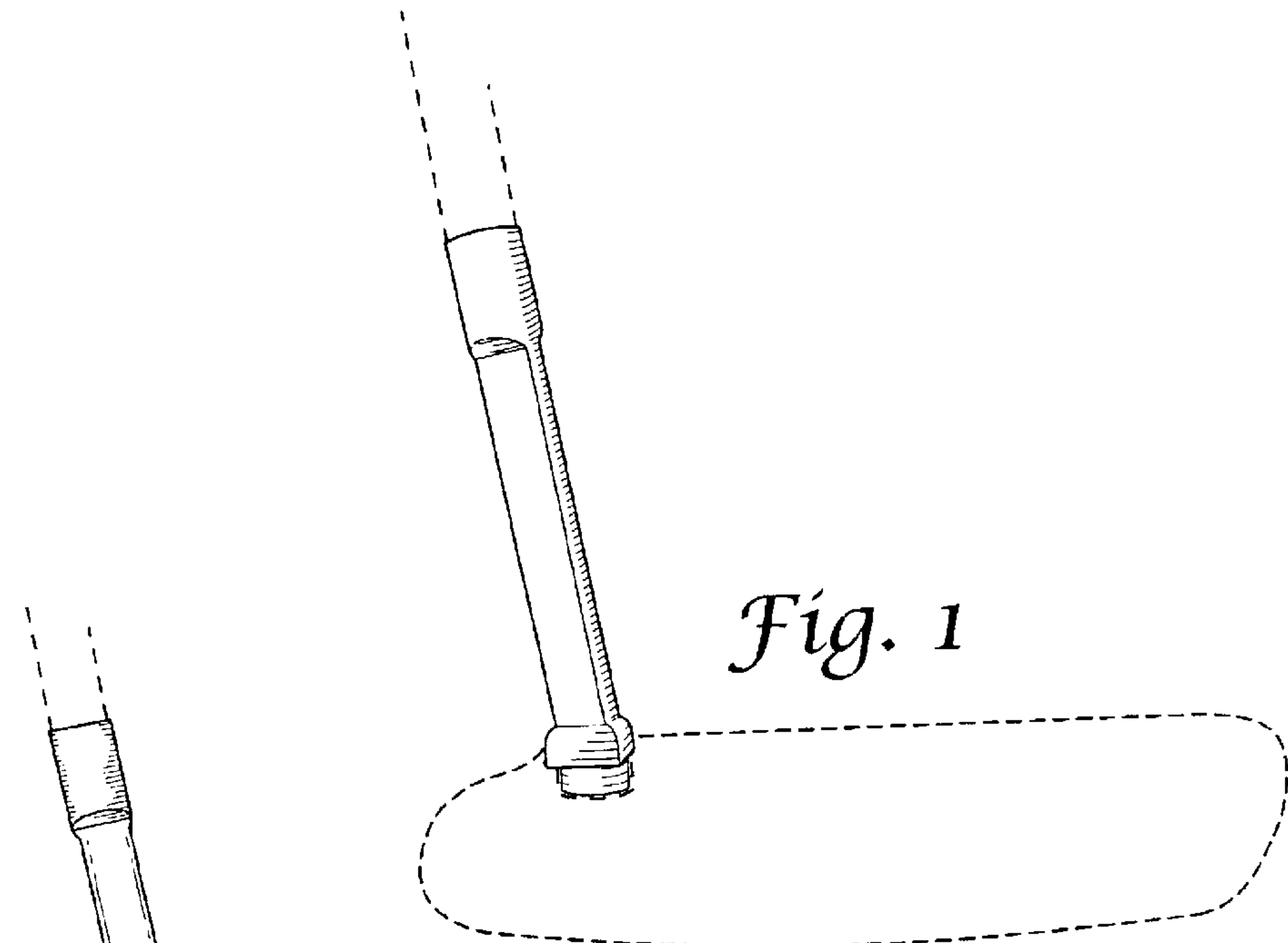
**U.S. PATENT DOCUMENTS**

D381,728 S	*	7/1997	Cameron	.....	D21/759
D388,488 S	*	12/1997	Cameron	.....	D21/759
D410,982 S	*	6/1999	Solheim et al.	.....	D21/759
D436,151 S	*	1/2001	Nicolette et al.	.....	D21/759
D443,668 S	*	6/2001	Nicolette et al.	.....	D21/759

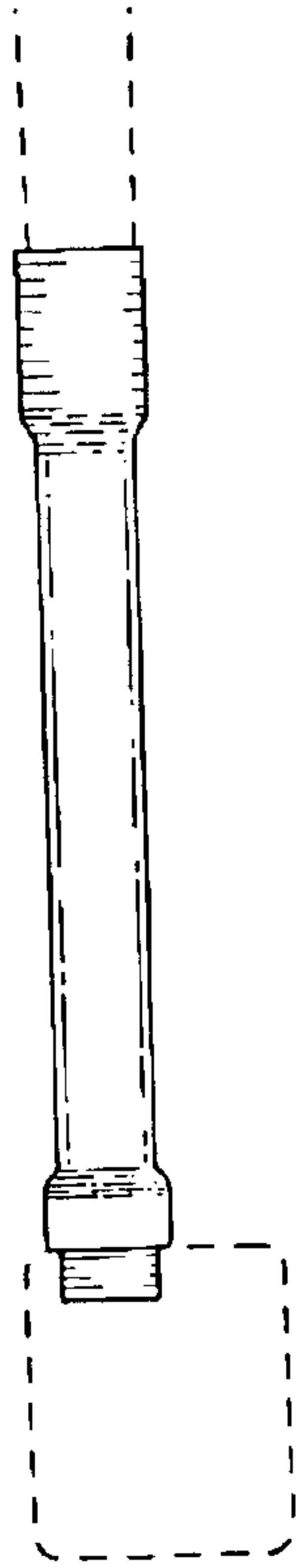
The broken line showing is for illustrative purposes only and forms no part of the claimed design.

**1 Claim, 2 Drawing Sheets**

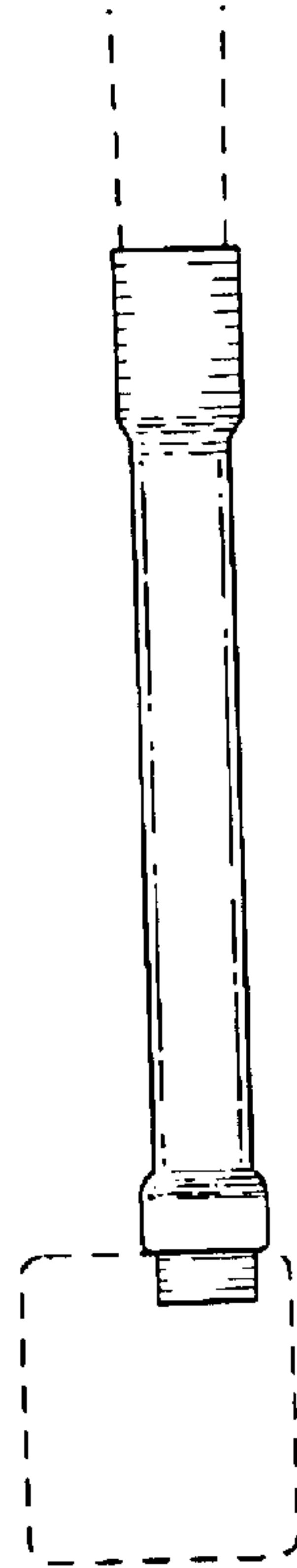




*Fig. 4*



*Fig. 5*



*Fig. 6*

