

US00D495015S1

(12) **United States Design Patent**
Tudico

(10) **Patent No.:** **US D495,015 S**

(45) **Date of Patent:** **** Aug. 24, 2004**

(54) **REBALANCING APPARATUS FOR THE HUMAN BODY**

(75) **Inventor:** **Gianfranco Tudico**, Bourg-les-Valence (FR)

(73) **Assignee:** **LPG Design Development** (FR)

(**) **Term:** **14 Years**

(21) **Appl. No.:** **29/179,930**

(22) **Filed:** **Apr. 17, 2003**

(30) **Foreign Application Priority Data**

Oct. 21, 2002 (WO) DM/062 036

(51) **LOC (7) Cl.** **21-02**

(52) **U.S. Cl.** **D21/688; D21/662**

(58) **Field of Search** D21/662, 688, D21/689; 482/145, 146, 147, 51, 52, 71, 79

(56) **References Cited**

U.S. PATENT DOCUMENTS

5,242,340 A * 9/1993 Jerome 482/52
5,599,262 A * 2/1997 Shih 482/147
5,632,711 A * 5/1997 Hwang 482/147

5,879,276 A * 3/1999 Miller 482/146
5,888,182 A * 3/1999 Shih 482/147
5,941,807 A * 8/1999 Cassidy et al. 482/146
6,176,817 B1 * 1/2001 Carey et al. 482/146

* cited by examiner

Primary Examiner—Philip S. Hyder

(74) *Attorney, Agent, or Firm*—Parkhurst & Wendel, L.L.P.

(57) **CLAIM**

The ornamental design for a rebalancing apparatus for the human body, as shown and described.

DESCRIPTION

FIG. 1 is a perspective view of the apparatus embodying the inventive design;

FIG. 2 is a front view of the apparatus embodying the inventive design;

FIG. 3 is a rear view of the apparatus embodying the inventive design;

FIG. 4 is a top view of the apparatus embodying the inventive design; and,

FIG. 5 is a right side view of the apparatus embodying the inventive design.

The broken line portions of the drawing are for illustrative purposes only and form no part of the claimed design.

1 Claim, 5 Drawing Sheets

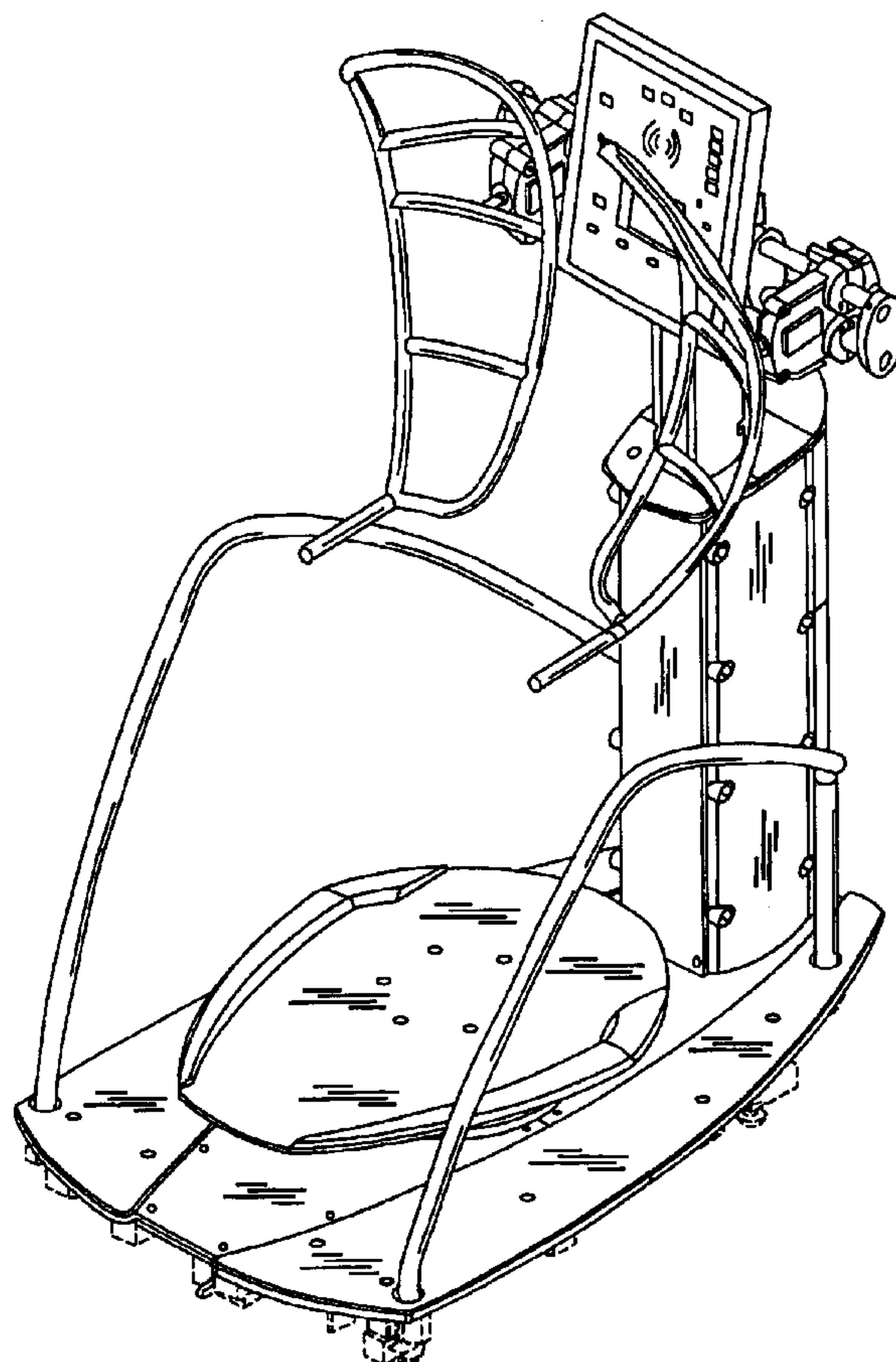


FIG. 1

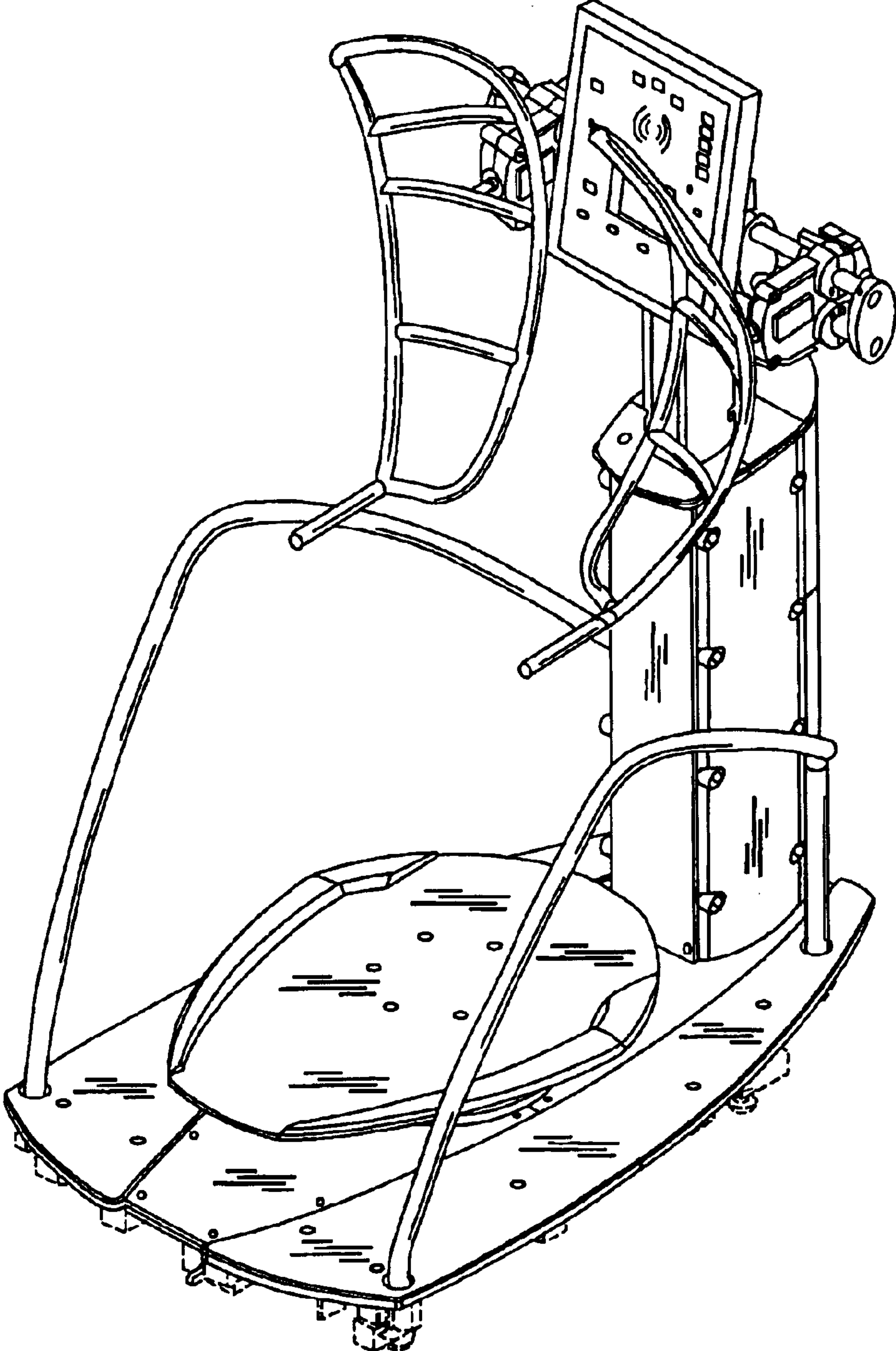


FIG. 2

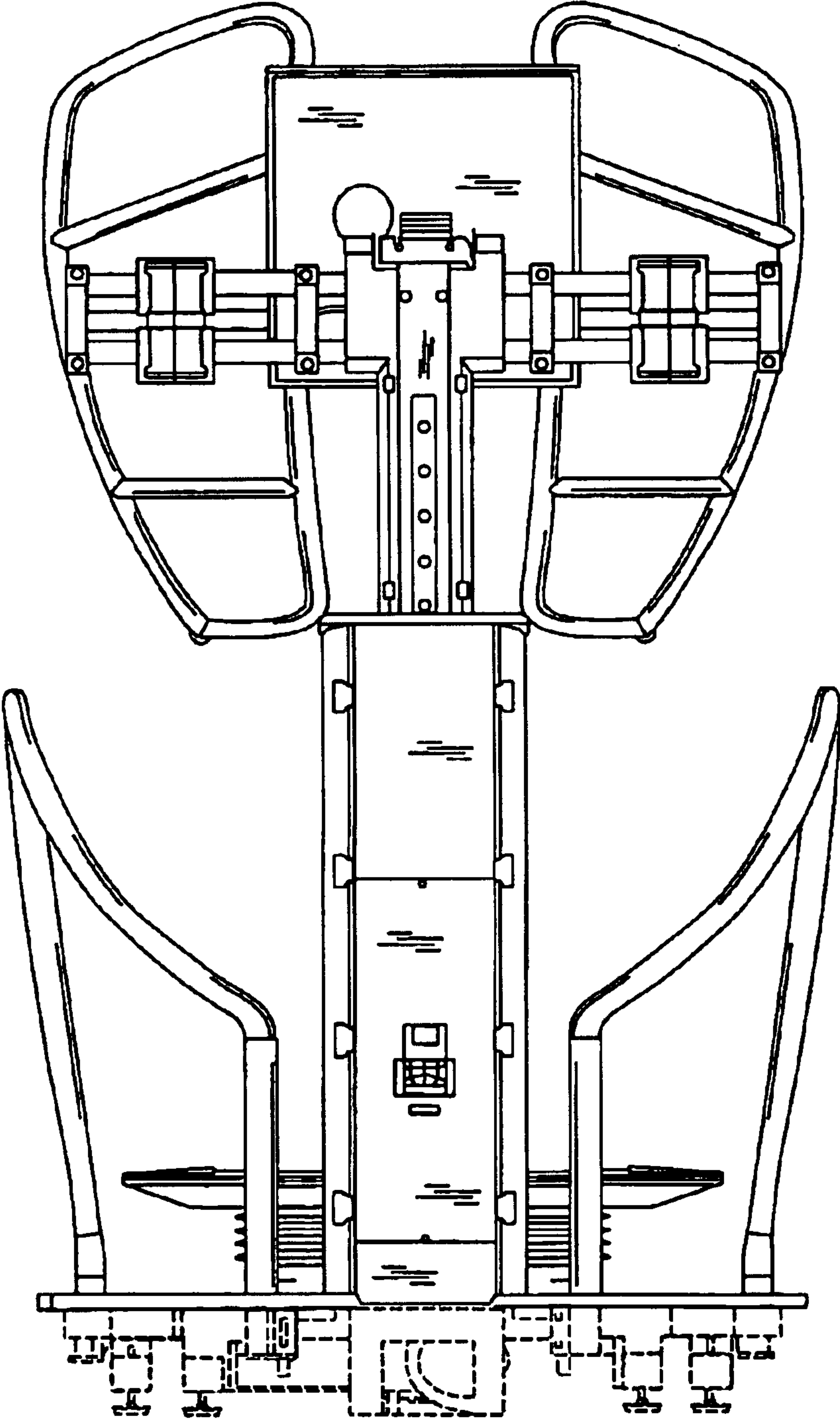


FIG. 3

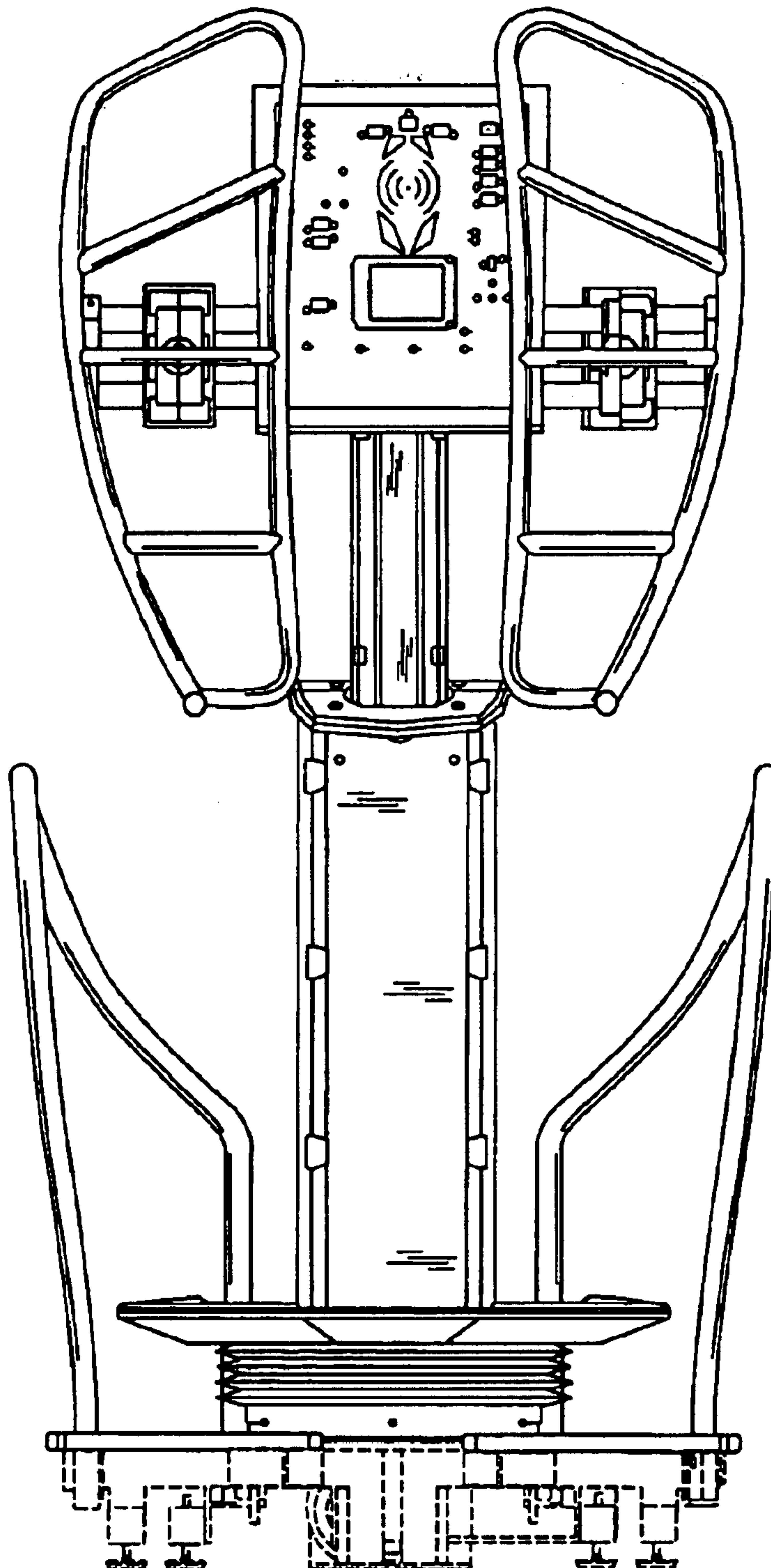


FIG. 4

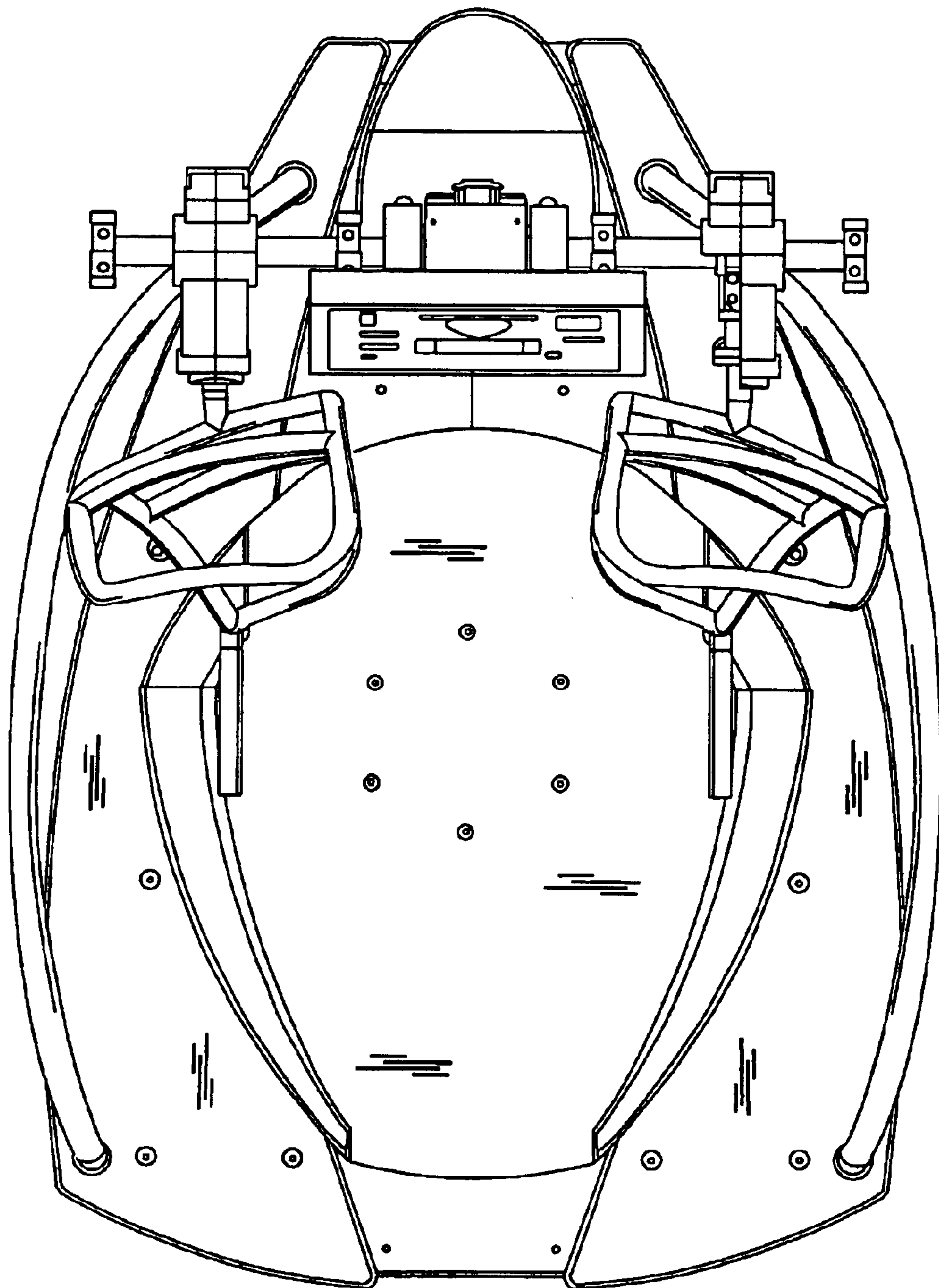


FIG. 5

