



US00D495014S1

(12) **United States Design Patent**
Zabel

(10) **Patent No.:** **US D495,014 S**

(45) **Date of Patent:** **** Aug. 24, 2004**

(54) **STRENGTH AND CONDITIONING APPARATUS**

D431,608 S * 10/2000 Lin D21/398
6,228,001 B1 * 5/2001 Johnson et al. 482/48
D464,095 S * 10/2002 Yu D21/684

(75) **Inventor:** **Steve Zabel**, Edmond, OK (US)

* cited by examiner

(73) **Assignee:** **Competitive Action Sports, L.L.C.**,
Edmond, OK (US)

Primary Examiner—Philip S. Hyder

(74) *Attorney, Agent, or Firm*—Dunlap Coddling & Rogers

(**) **Term:** **14 Years**

(57) **CLAIM**

The ornamental design for a strength and conditioning apparatus, as shown and described.

(21) **Appl. No.:** **29/188,046**

(22) **Filed:** **Aug. 12, 2003**

DESCRIPTION

(51) **LOC (7) Cl.** **21-02**

FIG. 1 is a perspective view of the strength and conditioning apparatus showing my new design, individuals utilizing the apparatus being shown in phantom for illustrative purposes only;

(52) **U.S. Cl.** **D21/662**

FIG. 2 is a front elevational of view thereof;

(58) **Field of Search** D21/662, 684,
D21/692; 273/451, 452; 482/44, 49, 92,
93, 126, 906

FIG. 3 is a rear elevational of view thereof;

FIG. 4 is a top plan view thereof;

FIG. 5 is a bottom plan view thereof;

FIG. 6 is an elevational view of one side thereof; and,

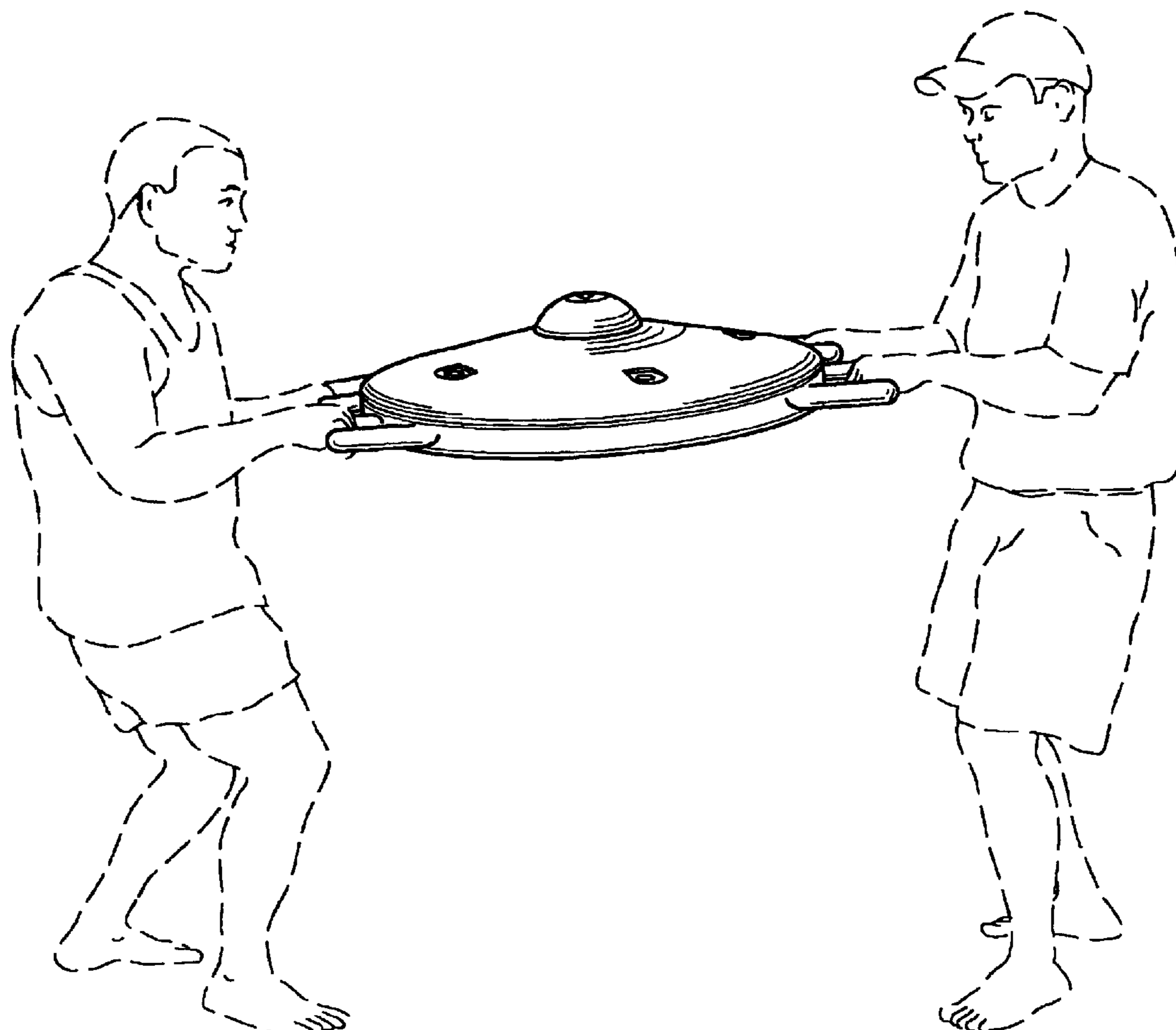
FIG. 7 is an elevation of view of a side thereof opposite the side shown in FIG. 6.

(56) **References Cited**

U.S. PATENT DOCUMENTS

4,039,185 A * 8/1977 Rhodes 273/451
4,211,402 A * 7/1980 Carroll 482/139
D370,951 S * 6/1996 Lazar D21/692
5,769,426 A * 6/1998 Gill 273/452

1 Claim, 3 Drawing Sheets



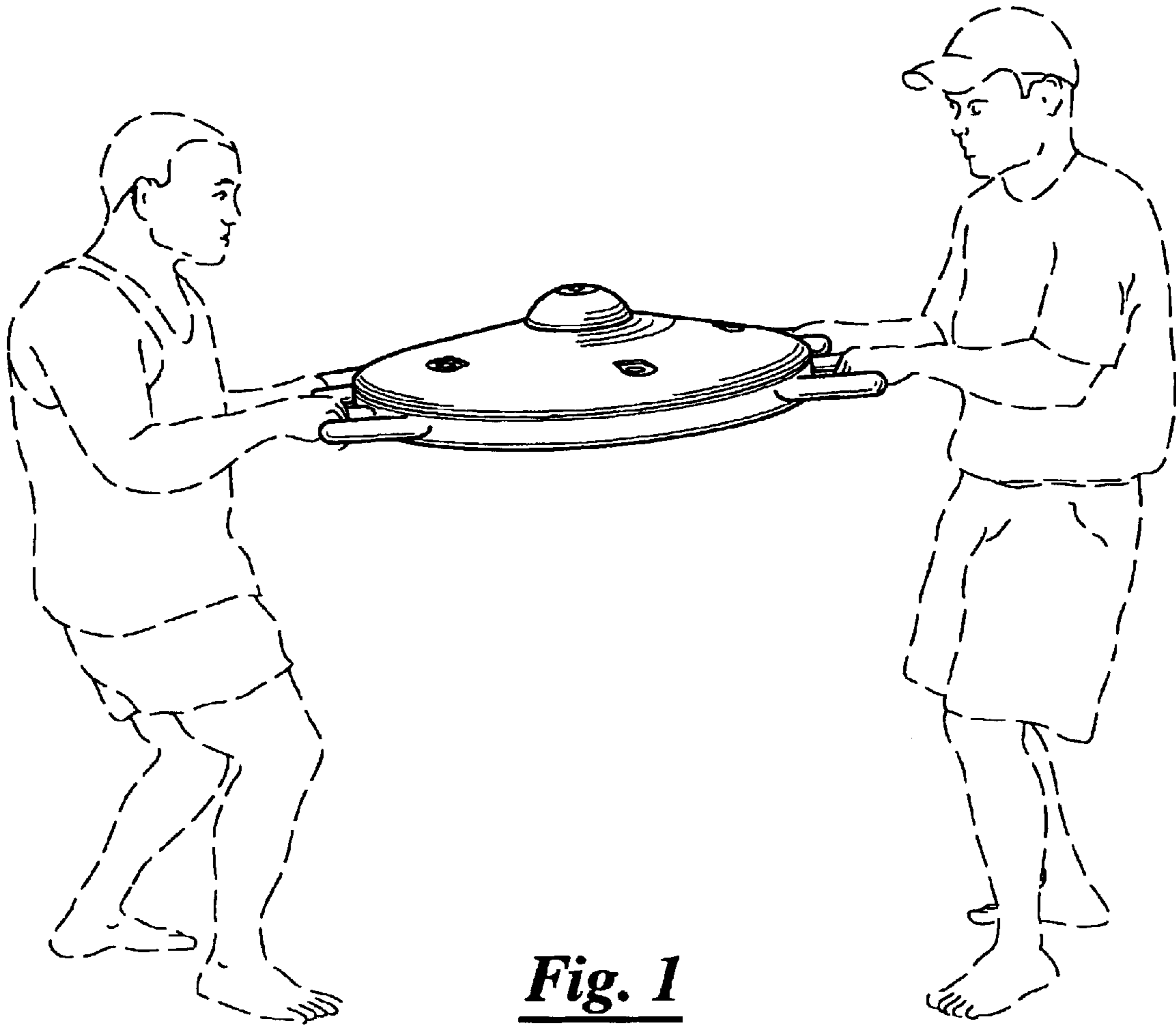


Fig. 1

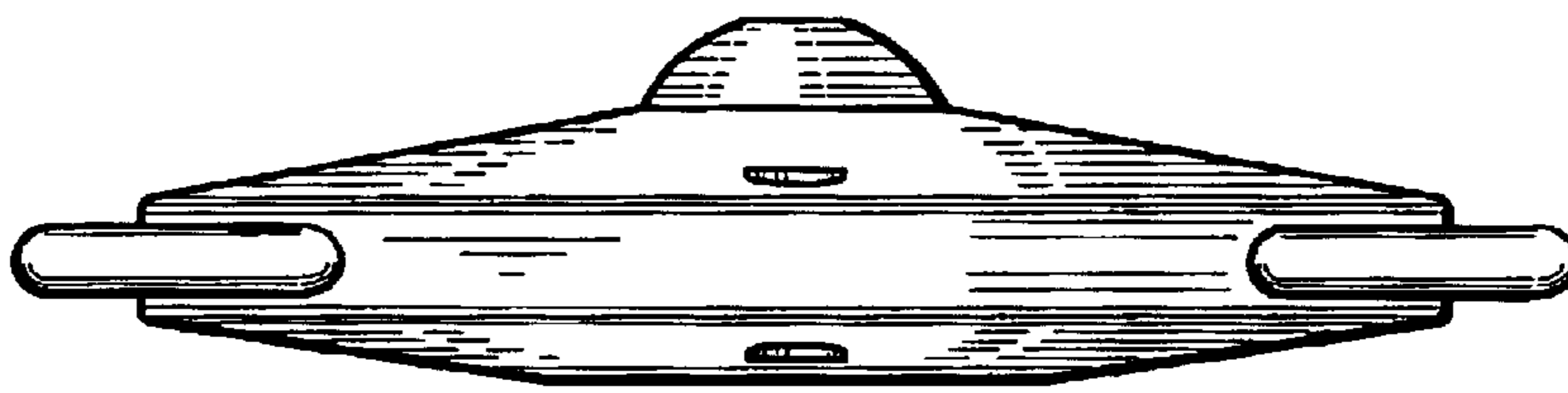


Fig. 2

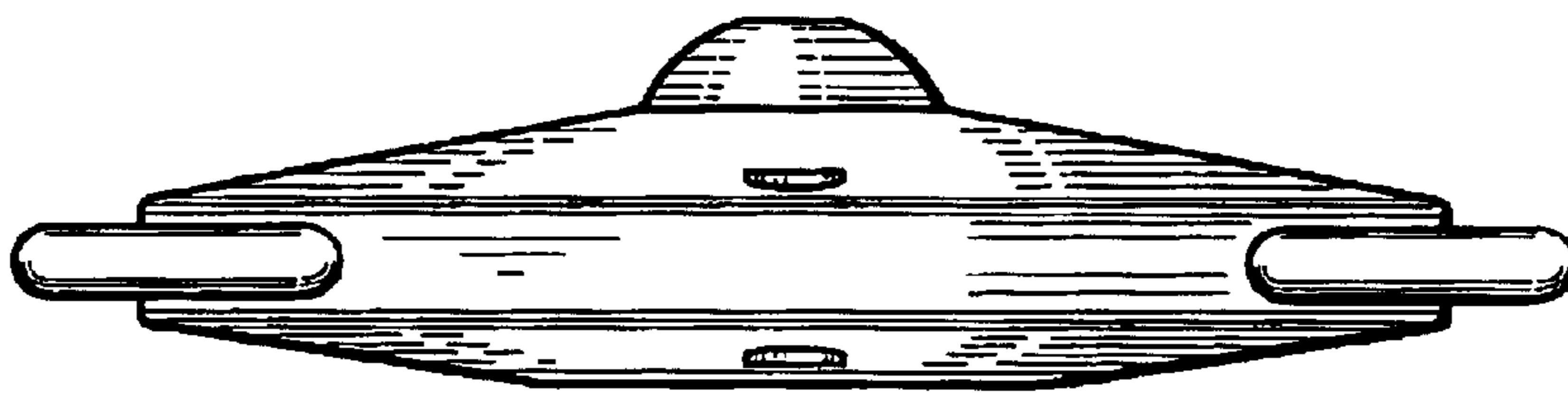


Fig. 3

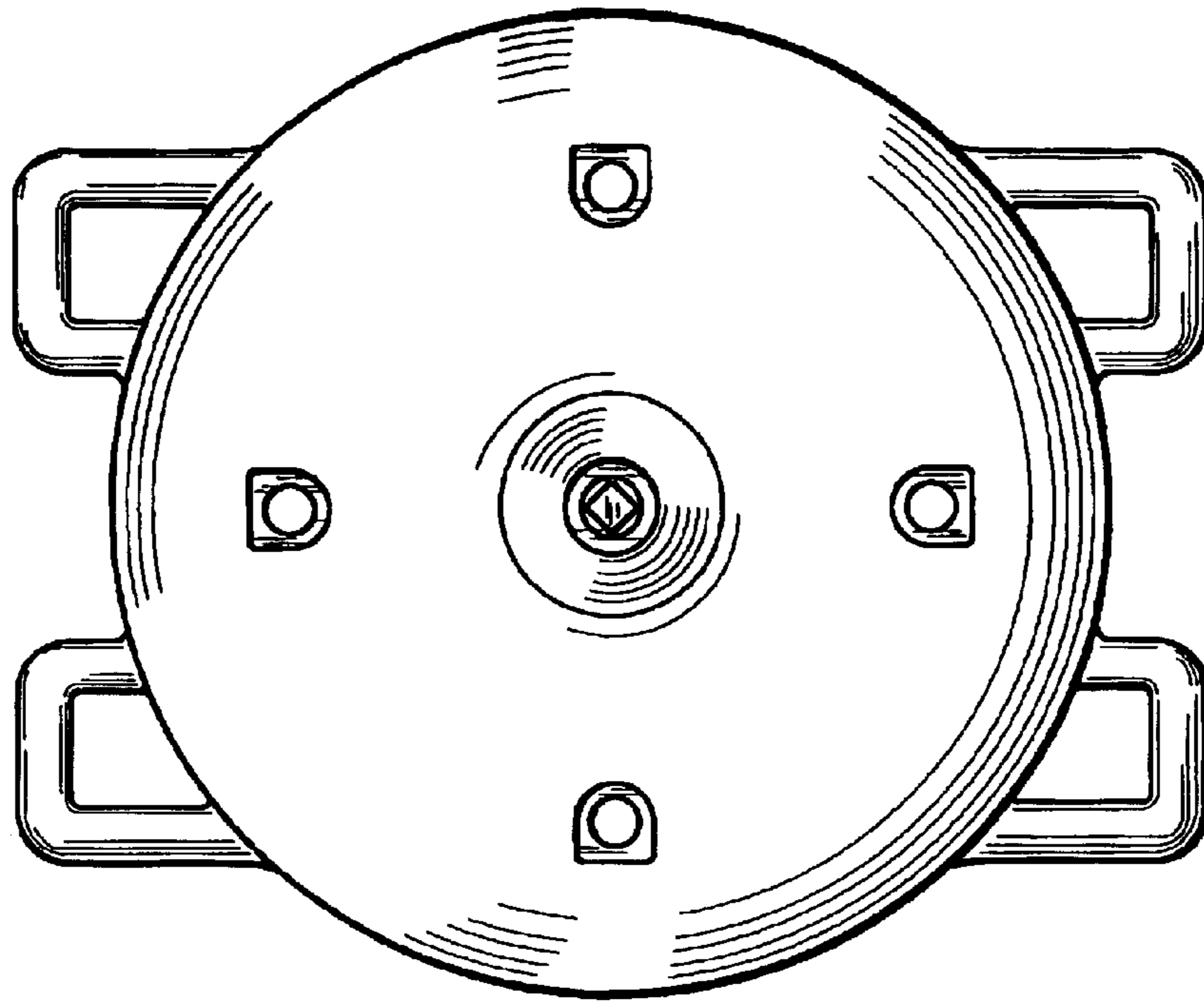


Fig. 4

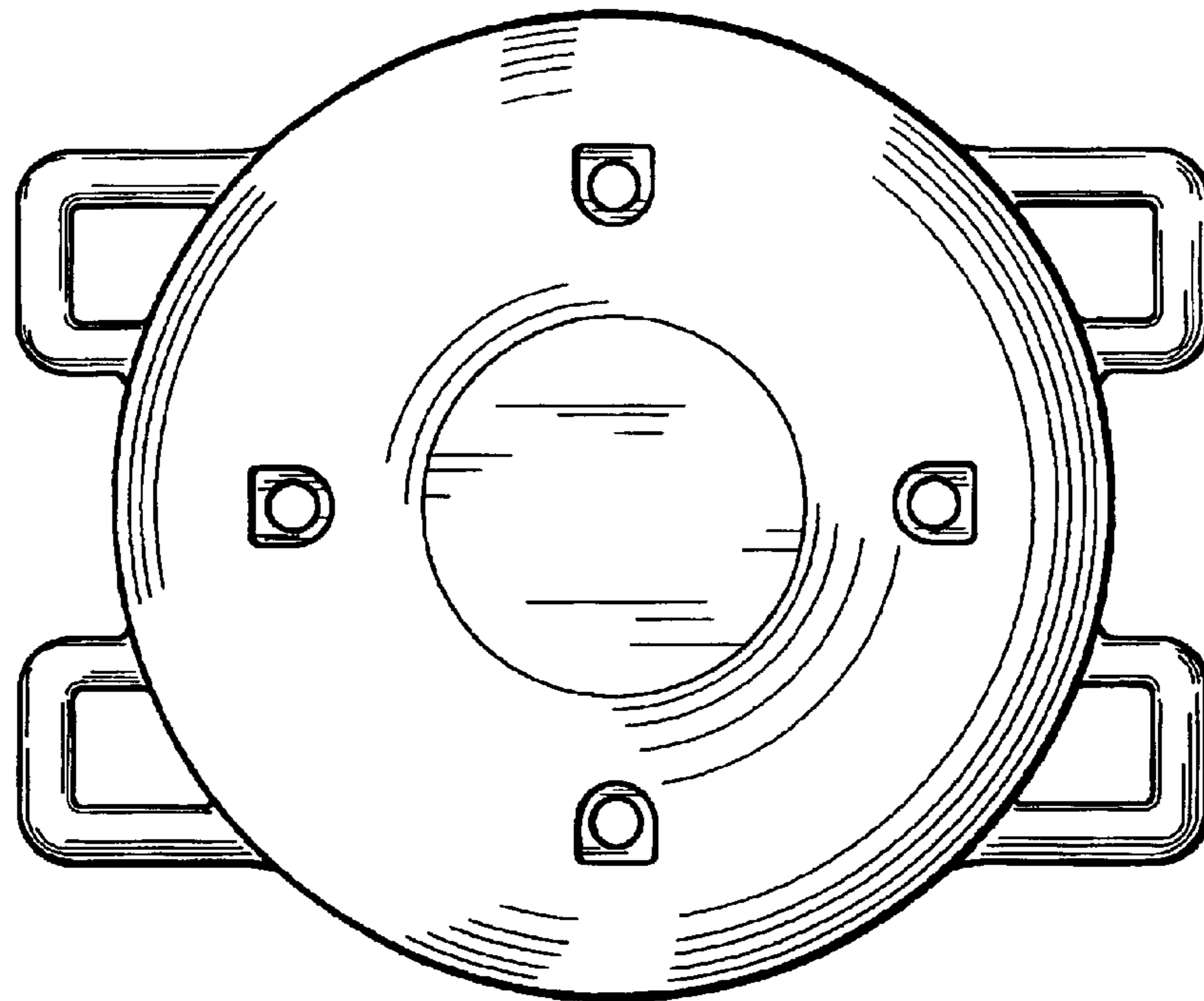


Fig. 5

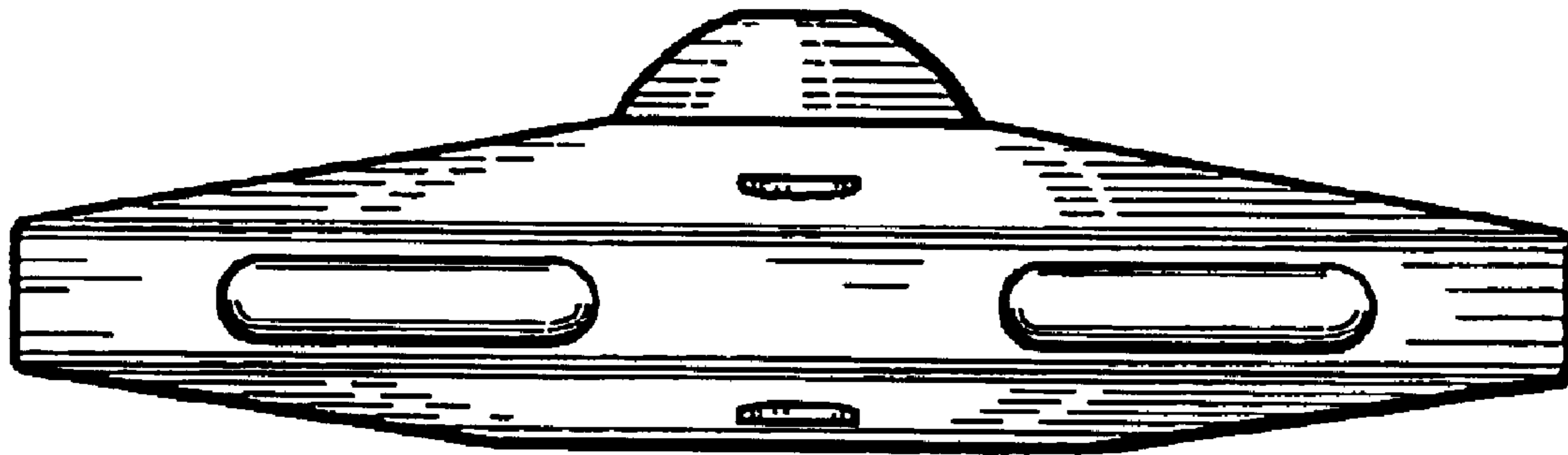


Fig. 6

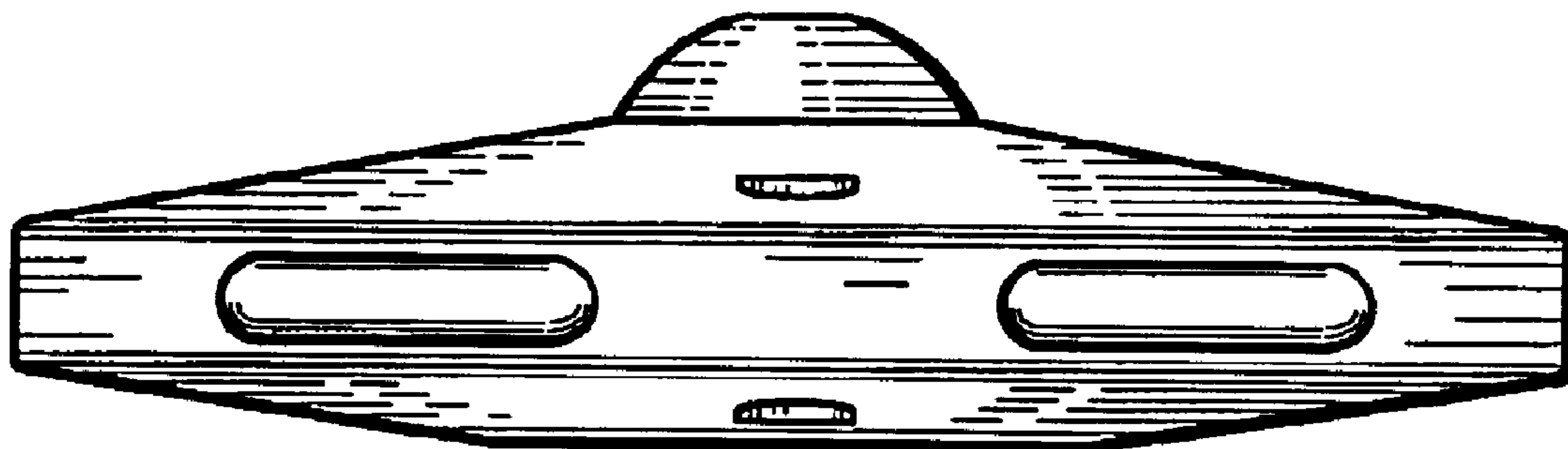


Fig. 7