

US00D495012S1

(12) **United States Design Patent**  
**Morimoto**

(10) **Patent No.:** **US D495,012 S**

(45) **Date of Patent:** **\*\* Aug. 24, 2004**

(54) **GUITAR AMPLIFIER**

(75) **Inventor:** **Yoshinobu Morimoto, Shizuoka (JP)**

(73) **Assignee:** **Roland Corporation, Osaka (JP)**

(\*\*) **Term:** **14 Years**

(21) **Appl. No.:** **29/174,464**

(22) **Filed:** **Jan. 17, 2003**

(51) **LOC (7) Cl. .... 14-03**

(52) **U.S. Cl. .... D21/188**

(58) **Field of Search** ..... D14/188, 265,  
D14/166, 159, 299, 198; 455/344, 347,  
351

(56) **References Cited**

**U.S. PATENT DOCUMENTS**

D269,180 S	*	5/1983	Ridings	.....	D14/189
D319,060 S	*	8/1991	Rashak	.....	D14/195
5,285,500 A	*	2/1994	Mantz	.....	381/86
D400,533 S	*	11/1998	Xie	.....	D14/188
D409,194 S	*	5/1999	Ridinger	.....	D14/188

D410,465 S	*	6/1999	Johnson et al.	.....	D14/188
D451,084 S	*	11/2001	Su	.....	D14/188
D474,760 S	*	5/2003	Zhang	.....	D14/188
D478,564 S	*	8/2003	Rizzi	.....	D14/188

\* cited by examiner

*Primary Examiner*—Prabhakar Deshmukh

(74) *Attorney, Agent, or Firm*—Foley & Lardner

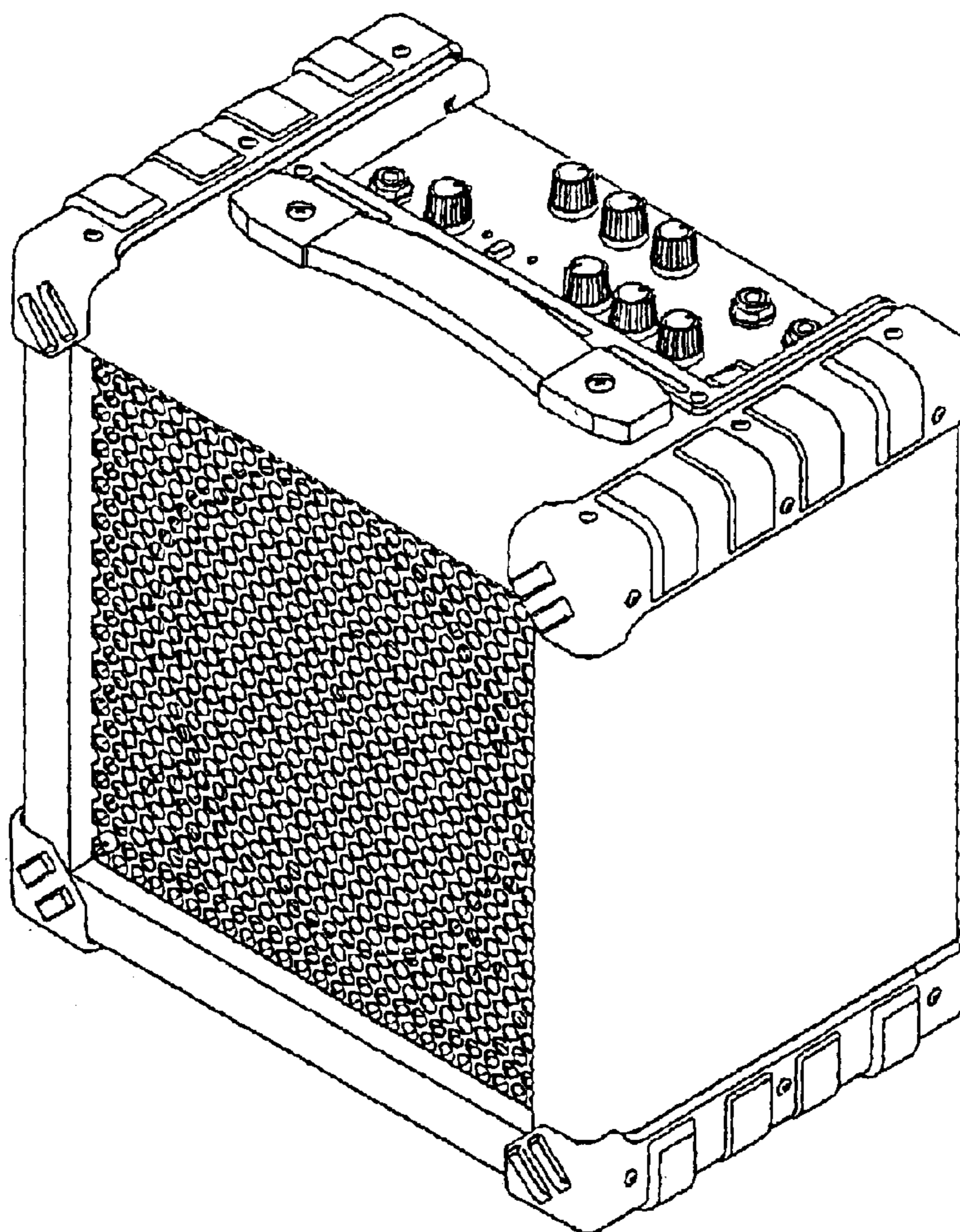
(57) **CLAIM**

The ornamental design for a guitar amplifier, as shown and described.

**DESCRIPTION**

FIG. 1 is a prospective view of the guitar amplifier.  
FIG. 2 is a front view of the guitar amplifier of FIG. 1.  
FIG. 3 is a top view of the guitar amplifier of FIG. 1.  
FIG. 4 is a bottom view of the guitar amplifier of FIG. 1.  
FIG. 5 is a side view of the guitar amplifier of FIG. 1.  
FIG. 6 is a further side view of the guitar amplifier of FIG. 1; and,  
FIG. 7 is a rear view of the guitar amplifier of FIG. 1.

**1 Claim, 3 Drawing Sheets**



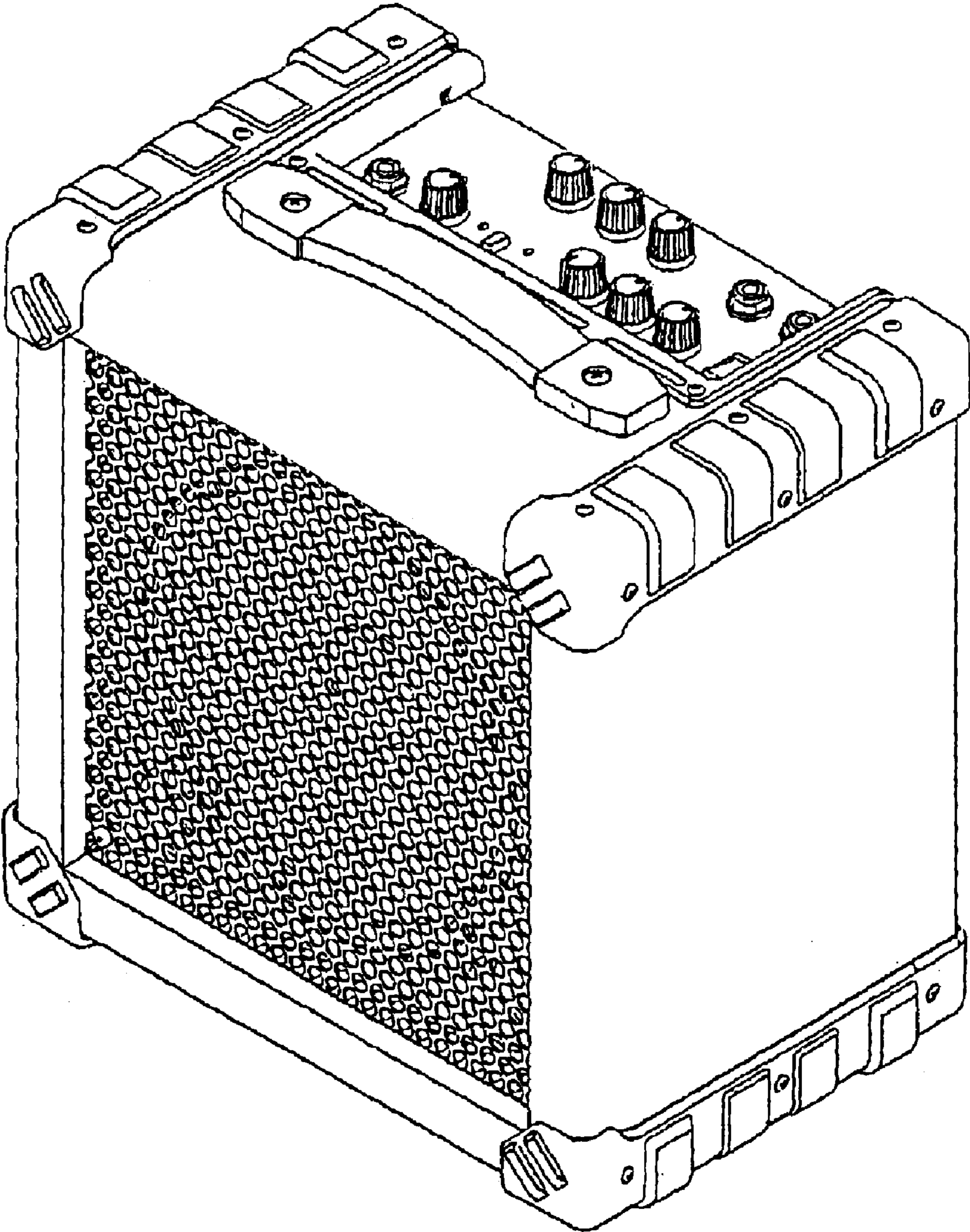


FIG. 1

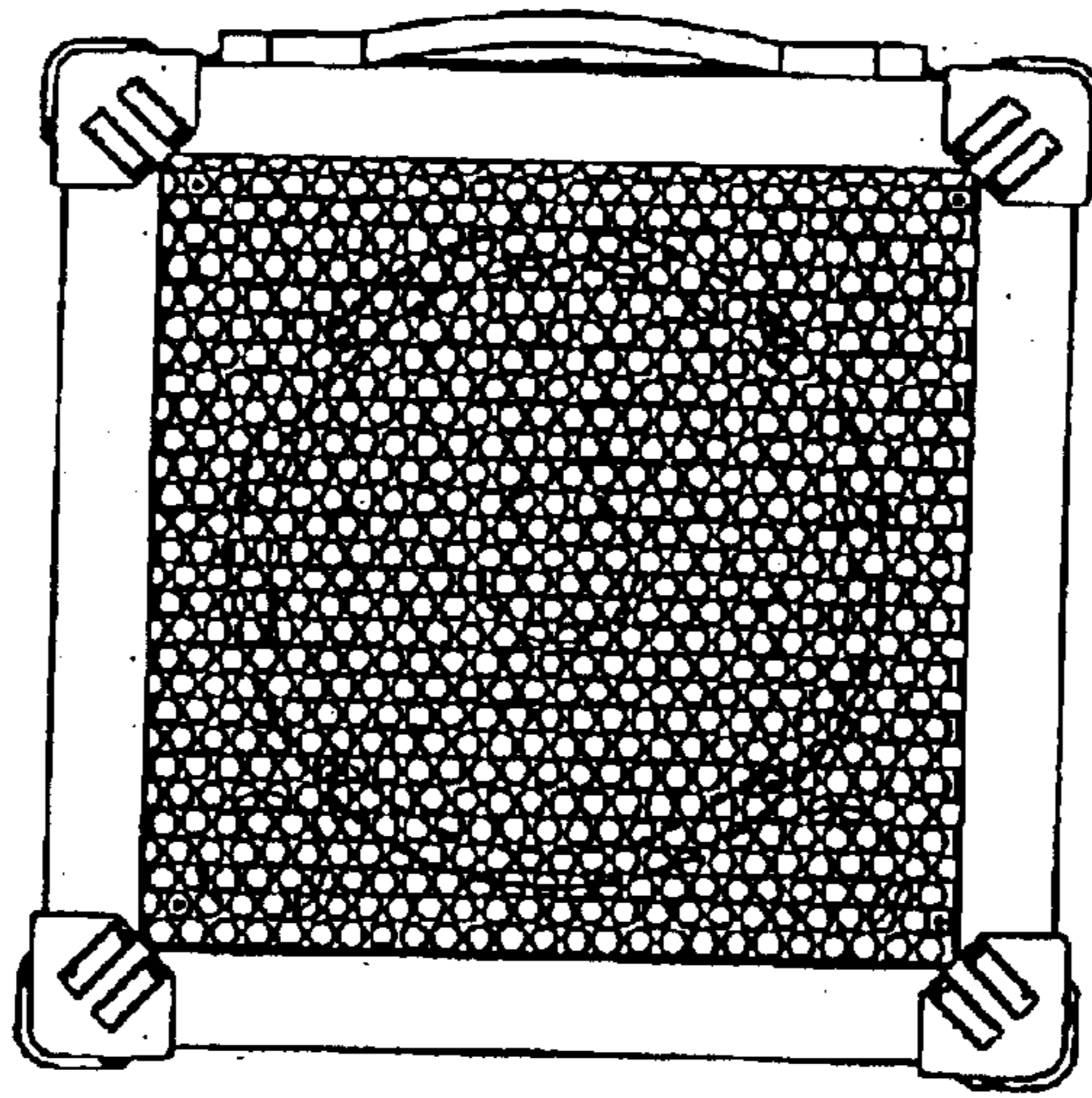


FIG. 2

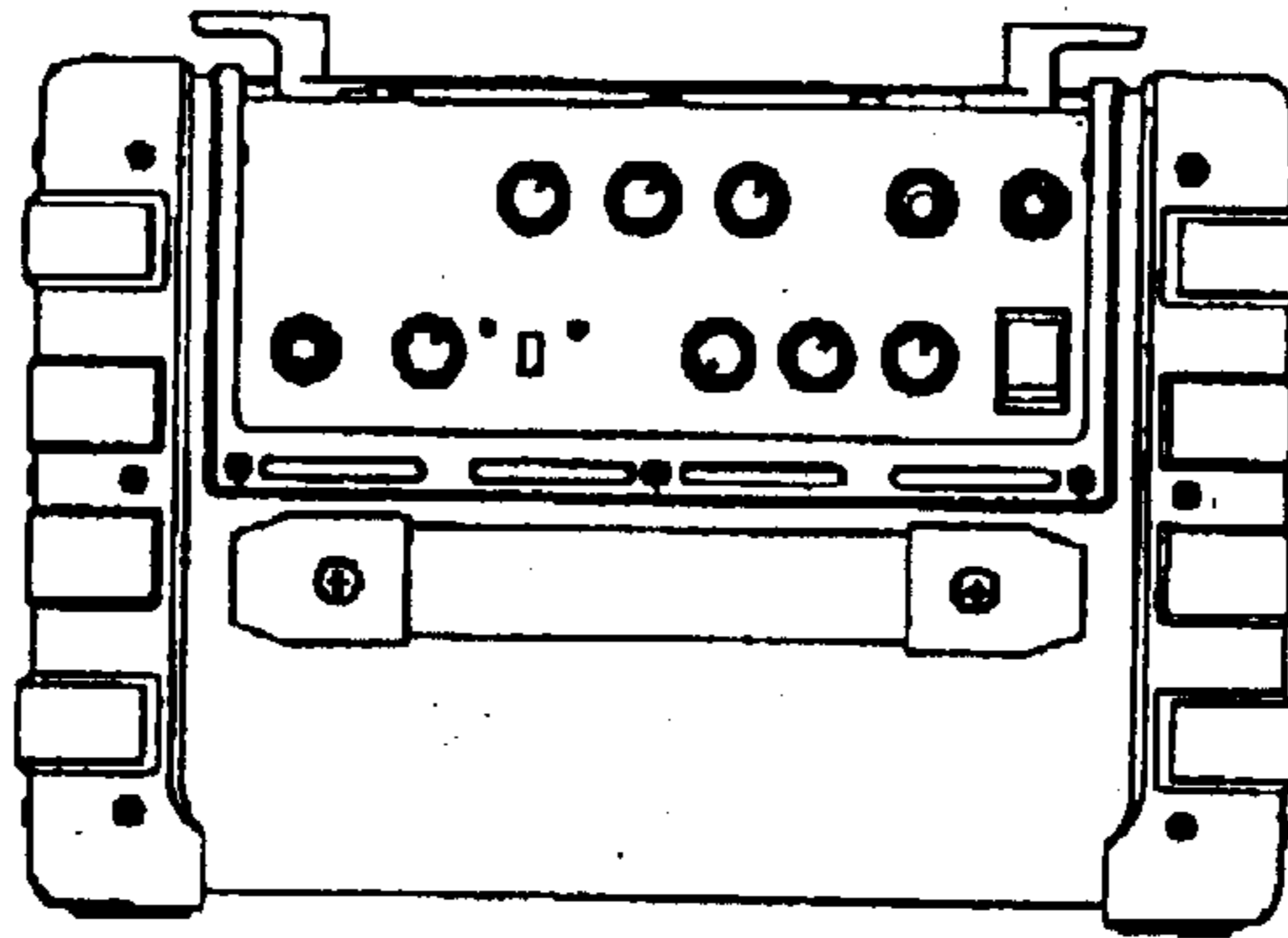


FIG. 3

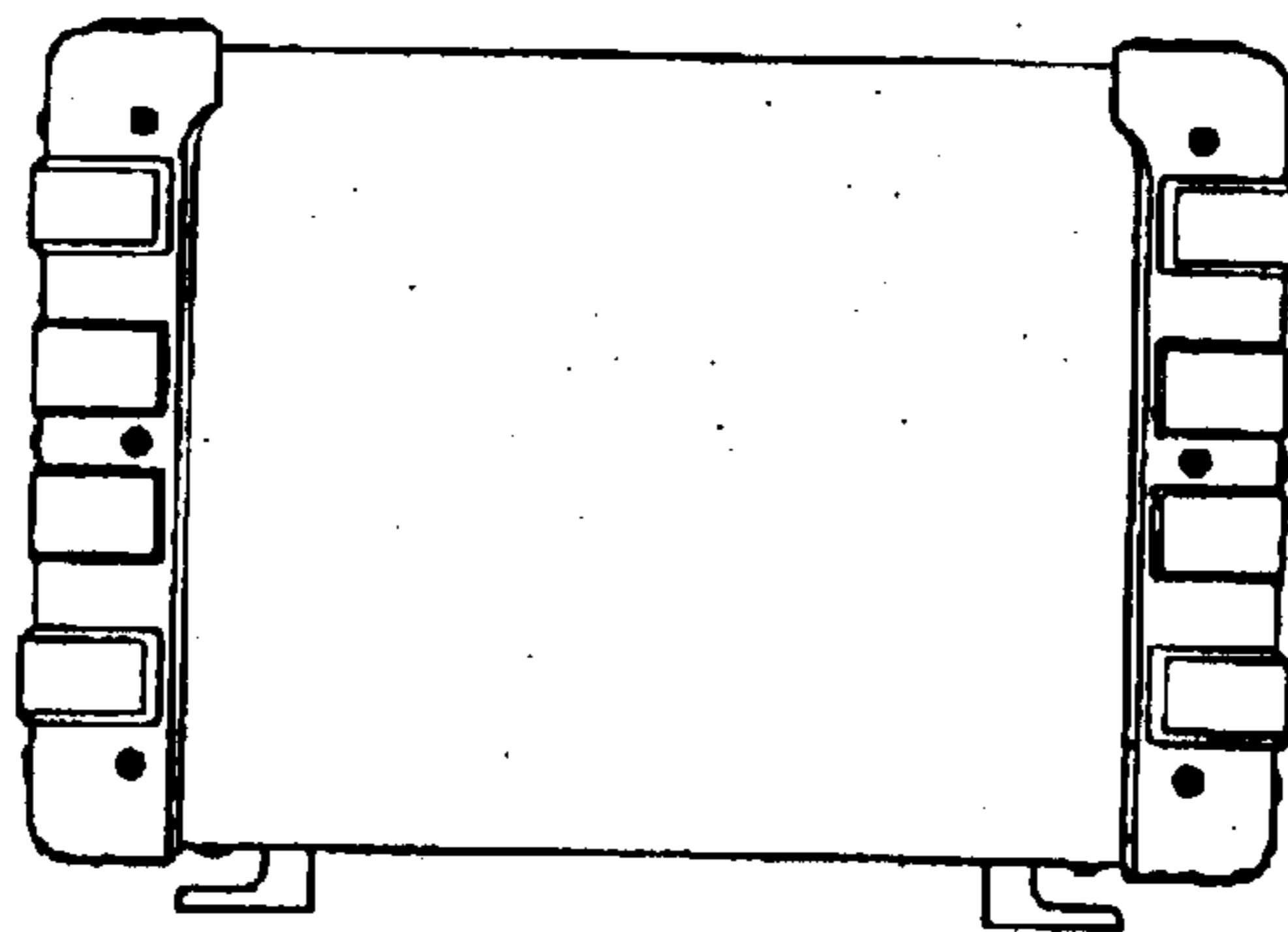


FIG. 4

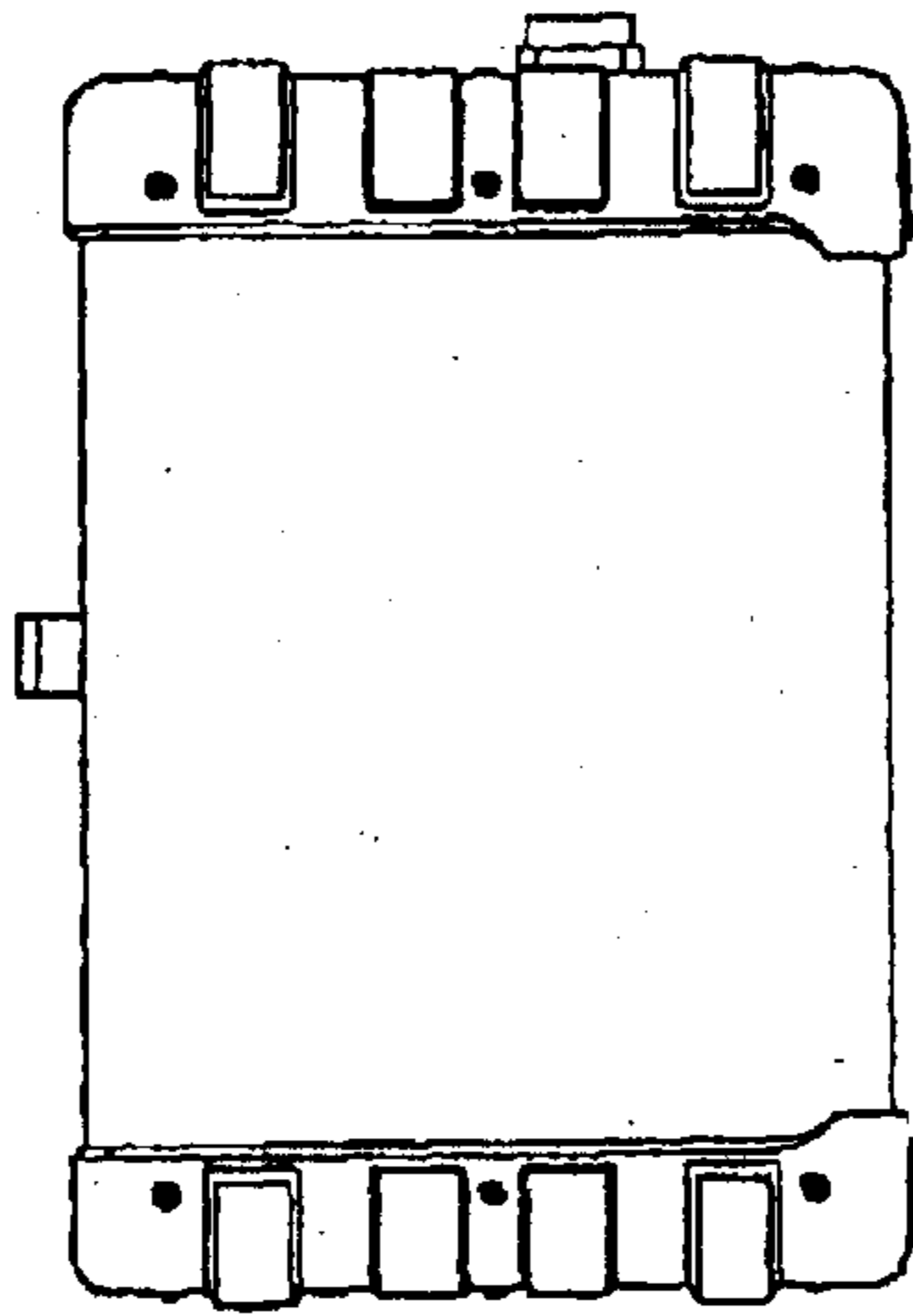


FIG. 5

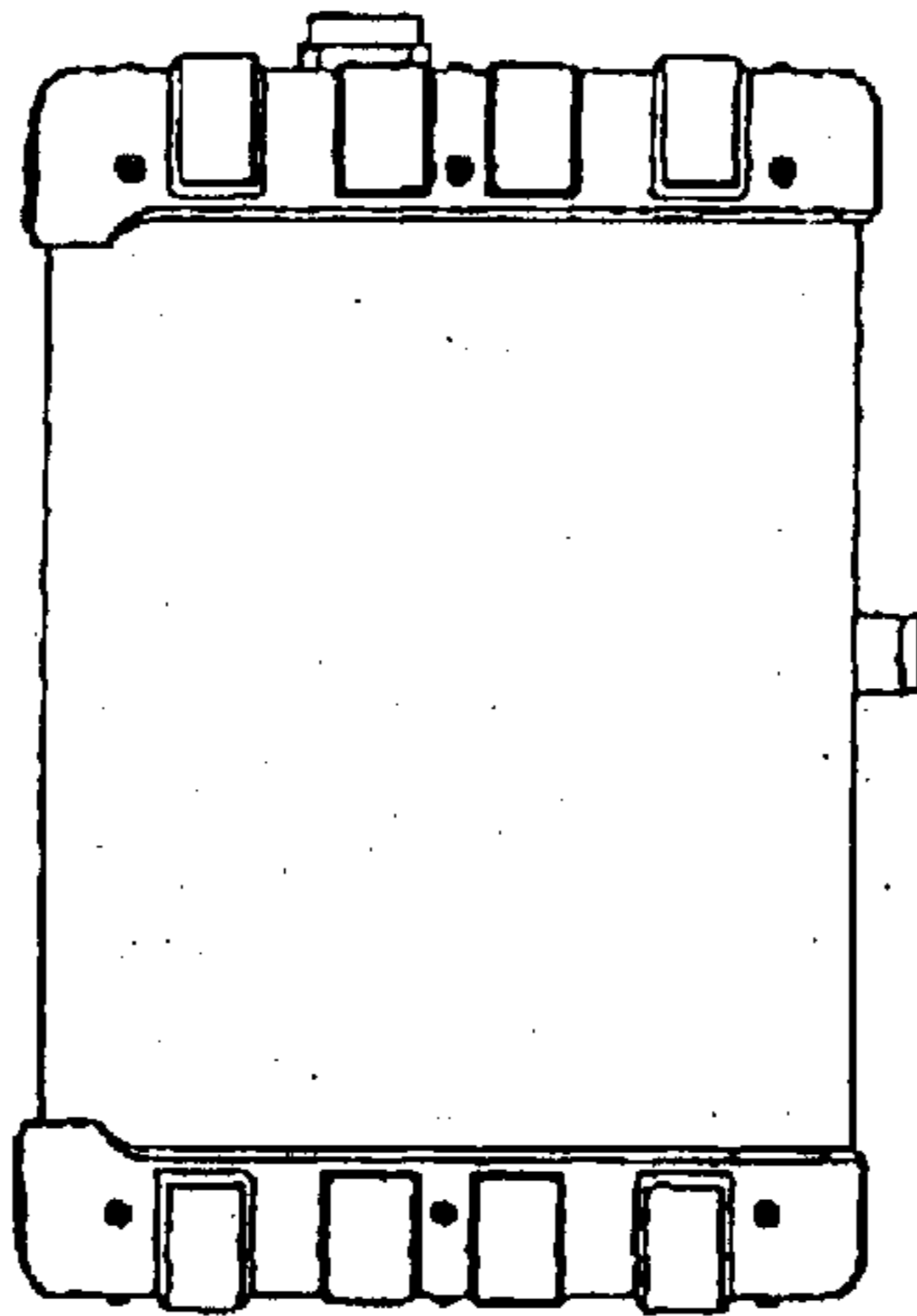


FIG. 6

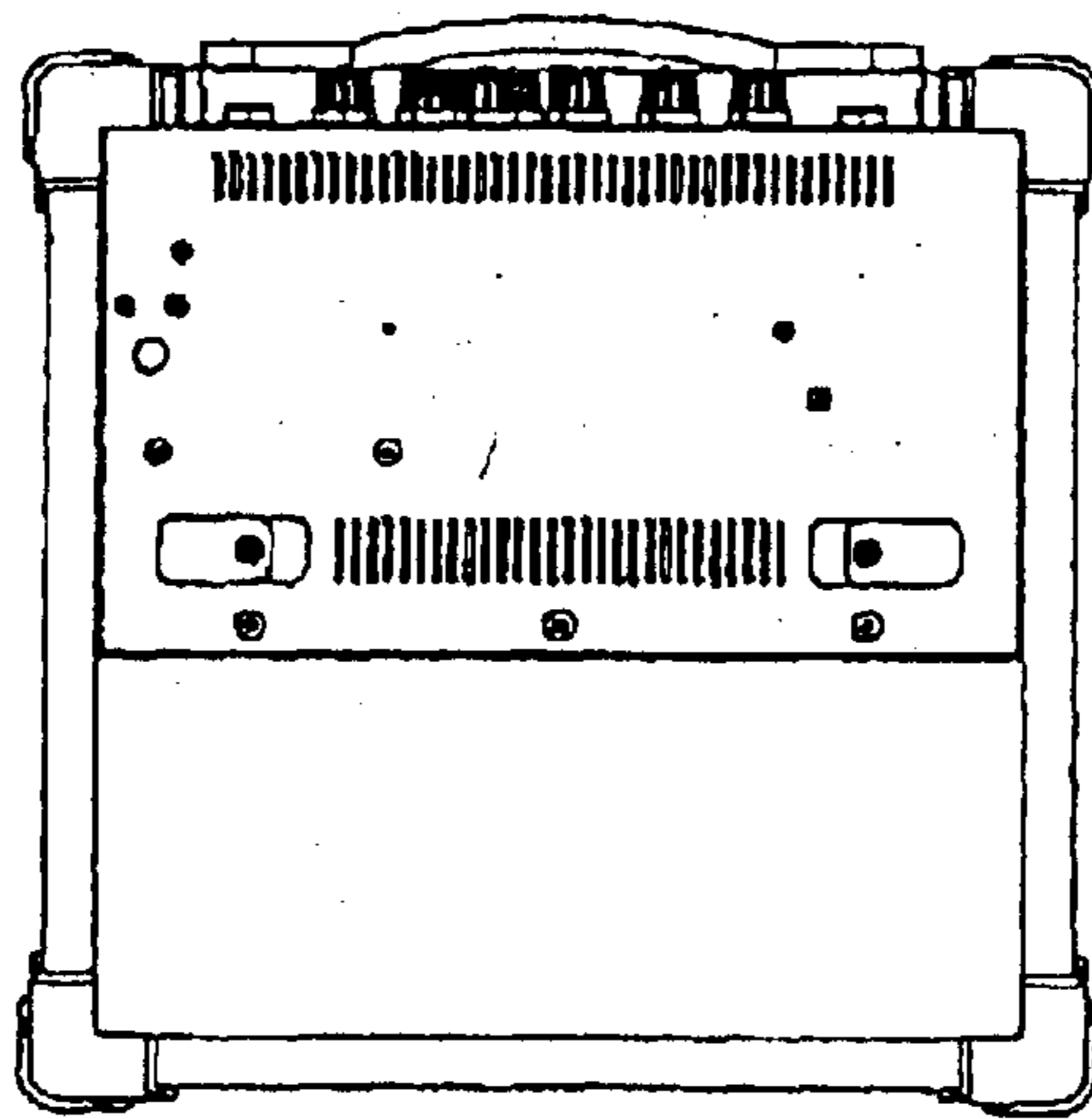


FIG. 7