

US00D495004S1

(12) **United States Design Patent**  
**Yuen**

(10) **Patent No.: US D495,004 S**

(45) **Date of Patent: \*\* Aug. 24, 2004**

(54) **ELECTRICAL PENCIL SHARPENER WITH DIGITAL CLOCK**

(76) Inventor: **Se Kit Yuen**, 6/F., Yau Lee Centre, 45 Hoi Yuan Road, Kwun Tong, Kowloon, Hong Kong (CN)

(\*\*) Term: **14 Years**

(21) Appl. No.: **29/196,367**

(22) Filed: **Dec. 29, 2003**

(51) **LOC (7) Cl.** ..... **19-06**

(52) **U.S. Cl.** ..... **D19/73; D10/2**

(58) **Field of Search** ..... D10/2, 15; D19/35, D19/36, 65, 73, 74, 75, 95, 99, 100; D8/98; 368/10; 144/28.1, 28.11, 28.2-28.9, 30, 28.71, 28.72; 30/451-452, 453-459

(56) **References Cited**

**U.S. PATENT DOCUMENTS**

- 3,134,365 A \* 5/1964 Hori ..... D19/73 X
- 3,486,540 A \* 12/1969 Hori ..... 144/28.5
- D221,907 S \* 9/1971 Kajiwara ..... D19/73
- D222,188 S \* 10/1971 Kajiwara ..... D19/73

- 3,678,975 A \* 7/1972 Imanishi et al. .... 144/28.72
- 4,601,316 A \* 7/1986 Verdi ..... 144/28.72
- D425,560 S \* 5/2000 Yuen ..... D19/73
- D434,444 S \* 11/2000 Mak ..... D19/73

\* cited by examiner

*Primary Examiner*—Martie K. Holtje

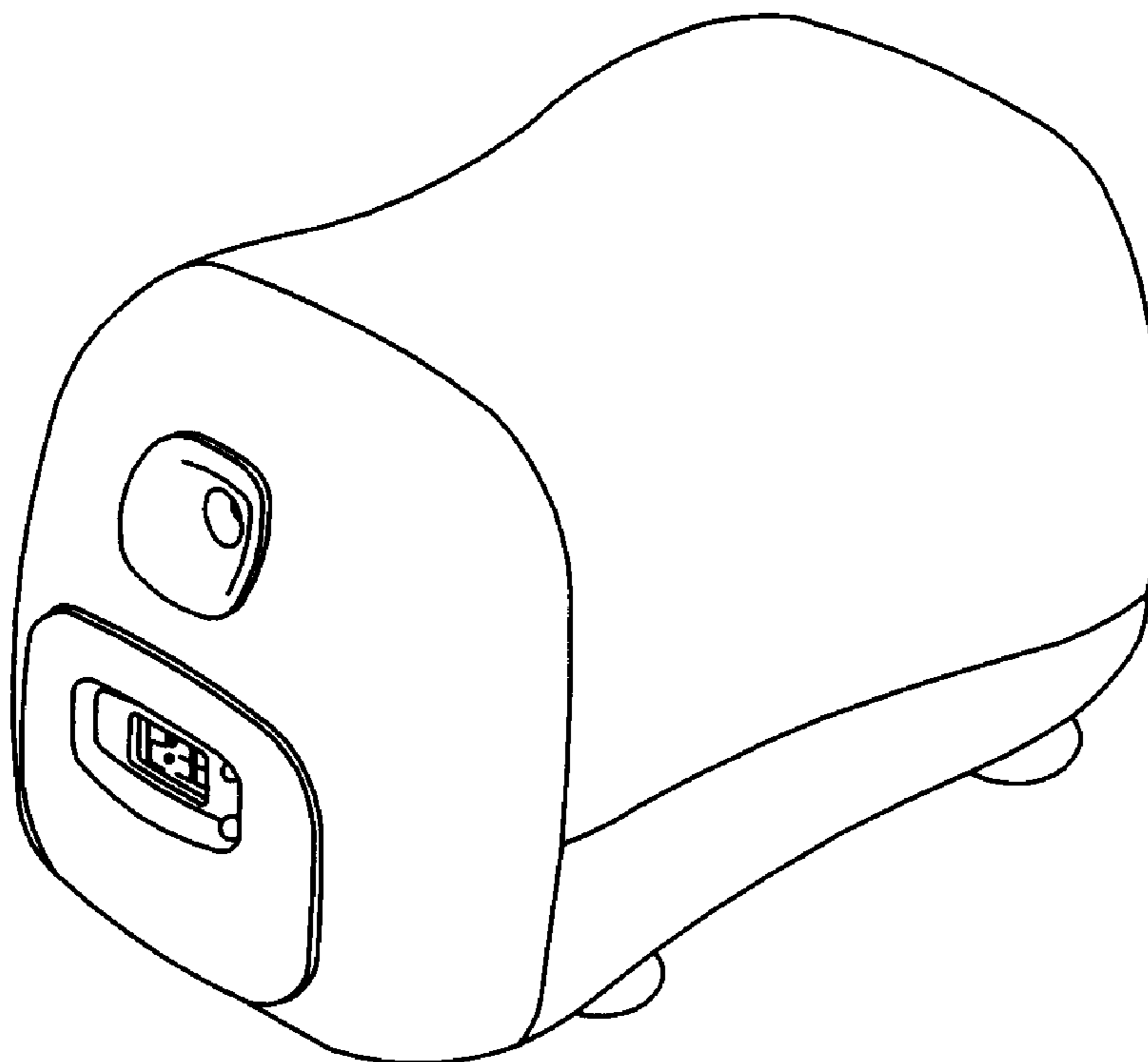
(57) **CLAIM**

The ornamental design for a electrical pencil sharpener with digital clock, as shown and described.

**DESCRIPTION**

FIG. 1 is a front view showing my new design.  
 FIG. 2 is a rear view thereof.  
 FIG. 3 is a right end view thereof.  
 FIG. 4 is a left end view thereof.  
 FIG. 5 is a top view thereof.  
 FIG. 6 is a bottom view thereof.  
 FIG. 7 is a perspective view thereof; and,  
 FIG. 8 is another perspective view thereof.  
 The surface(s) or portion(s) of the article not shown in the drawing or described in the specification form(s) no part of the claimed design.

**1 Claim, 8 Drawing Sheets**



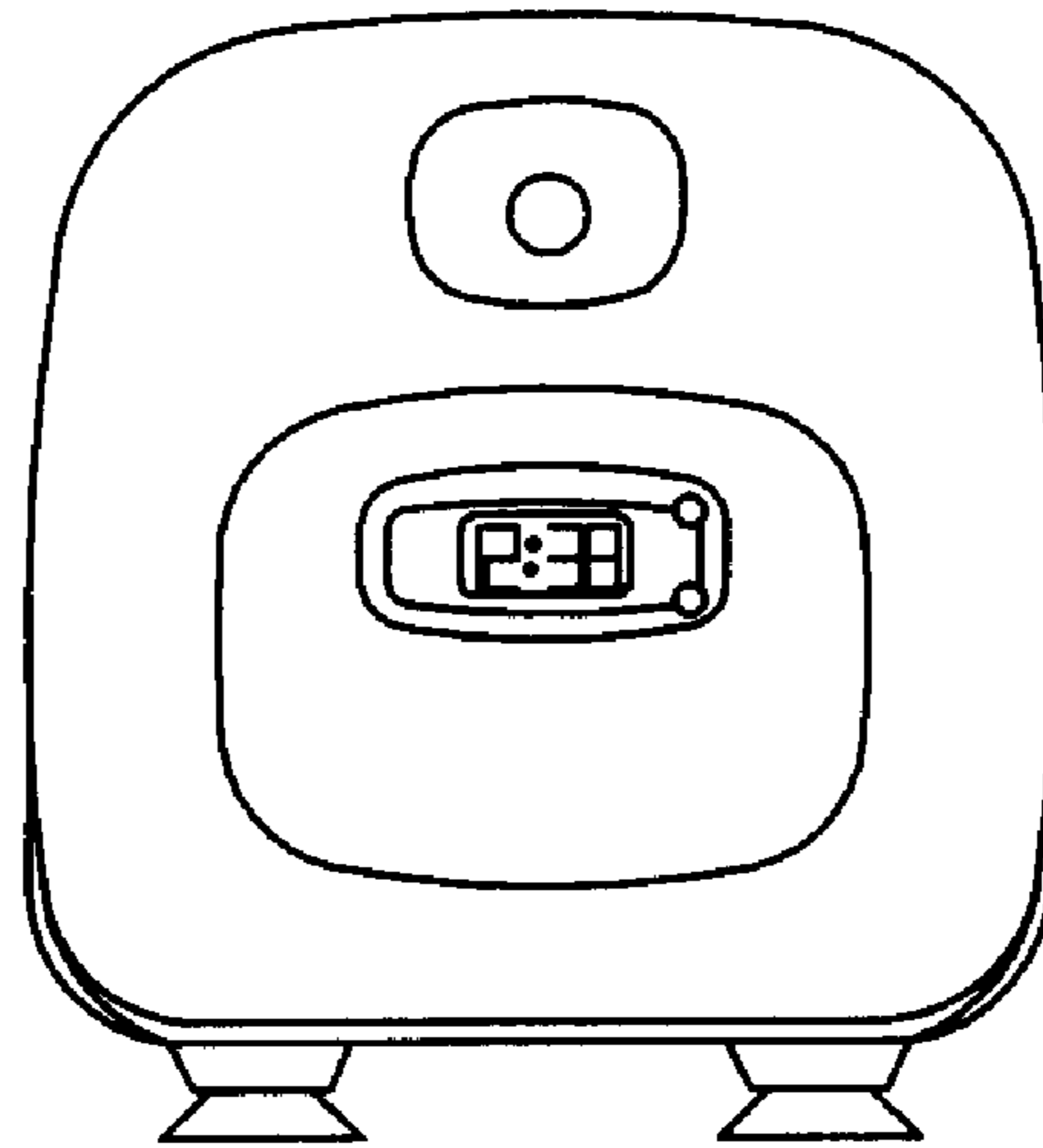


Fig. 1

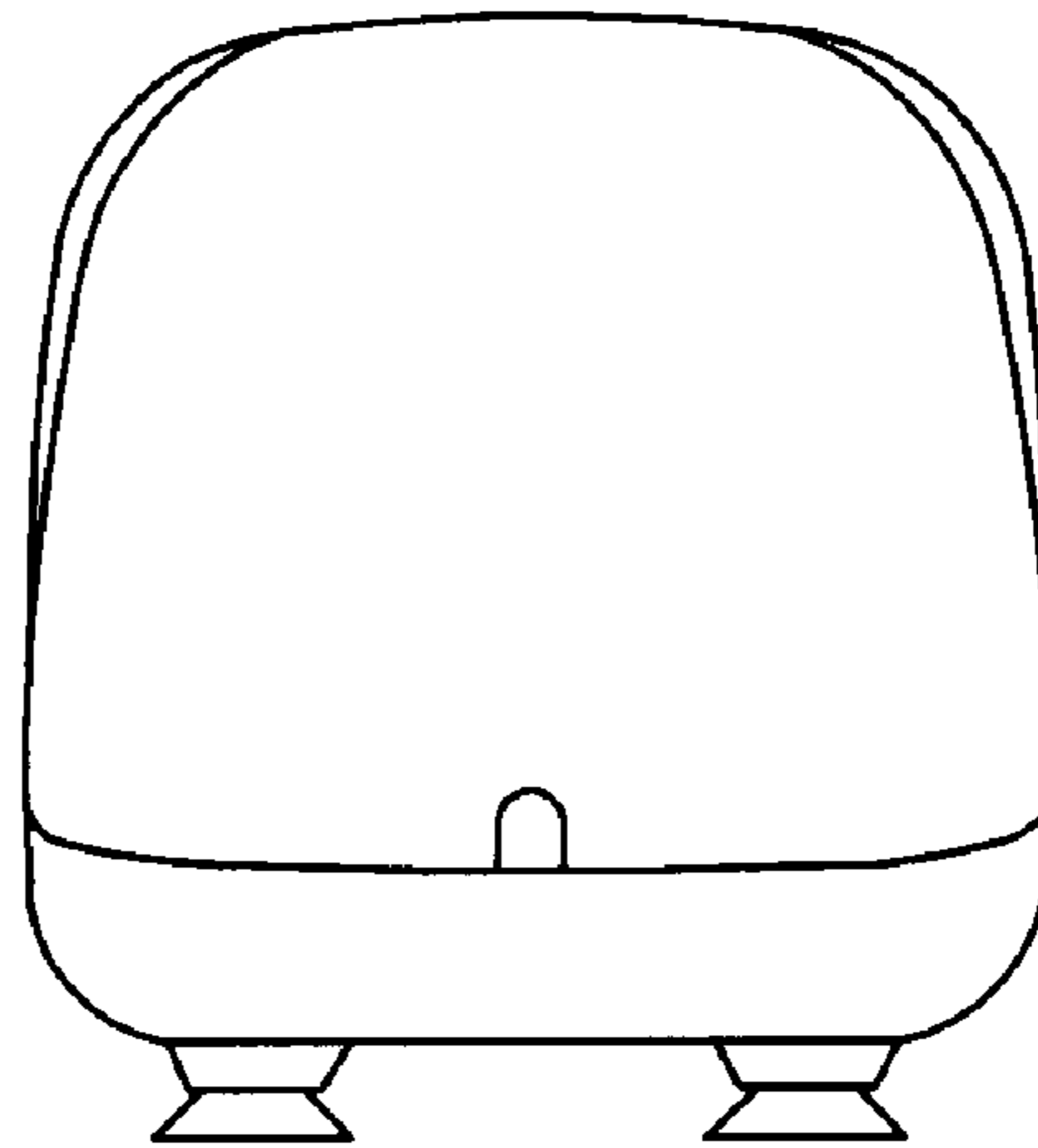


Fig. 2

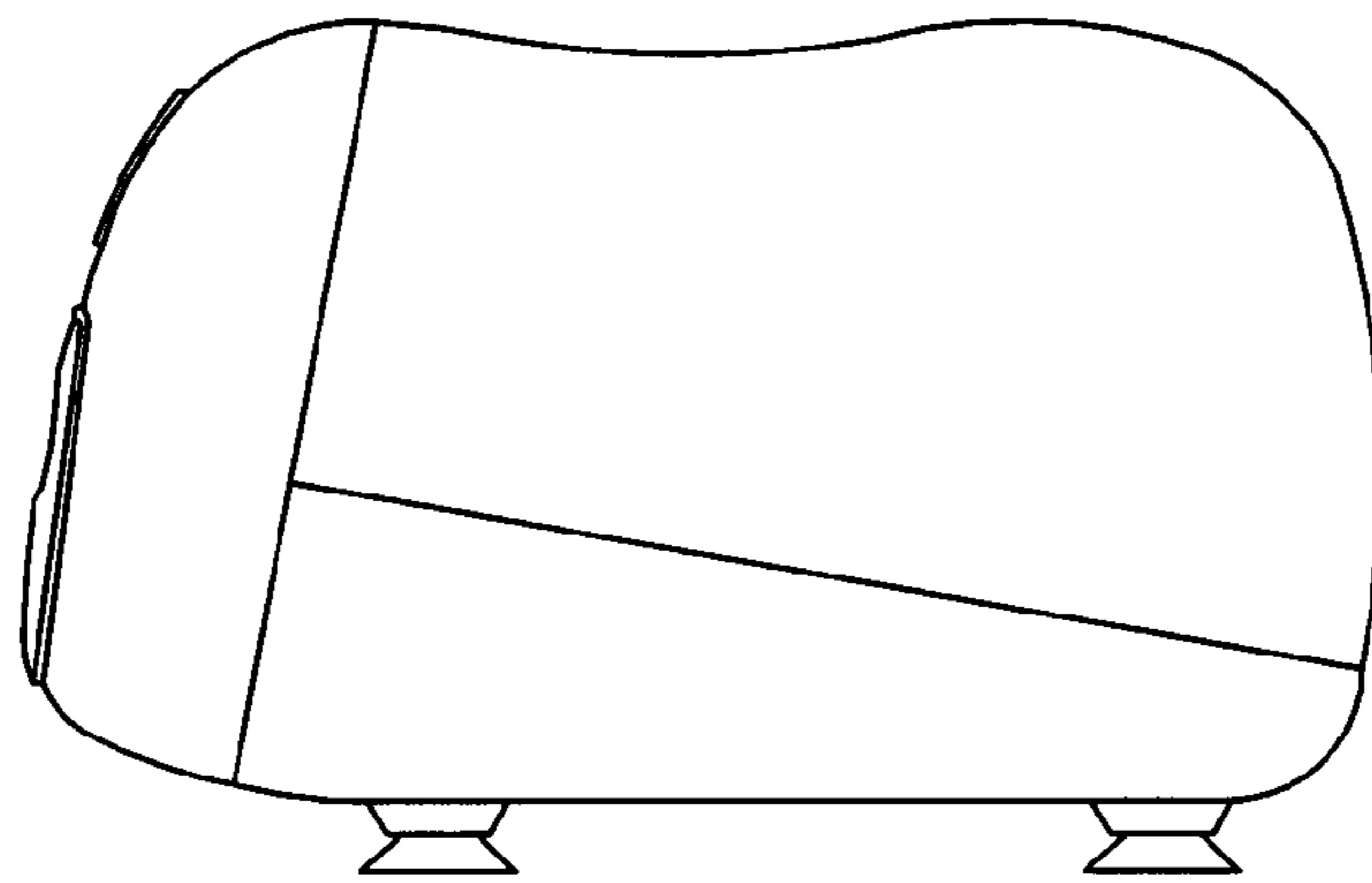


Fig. 3

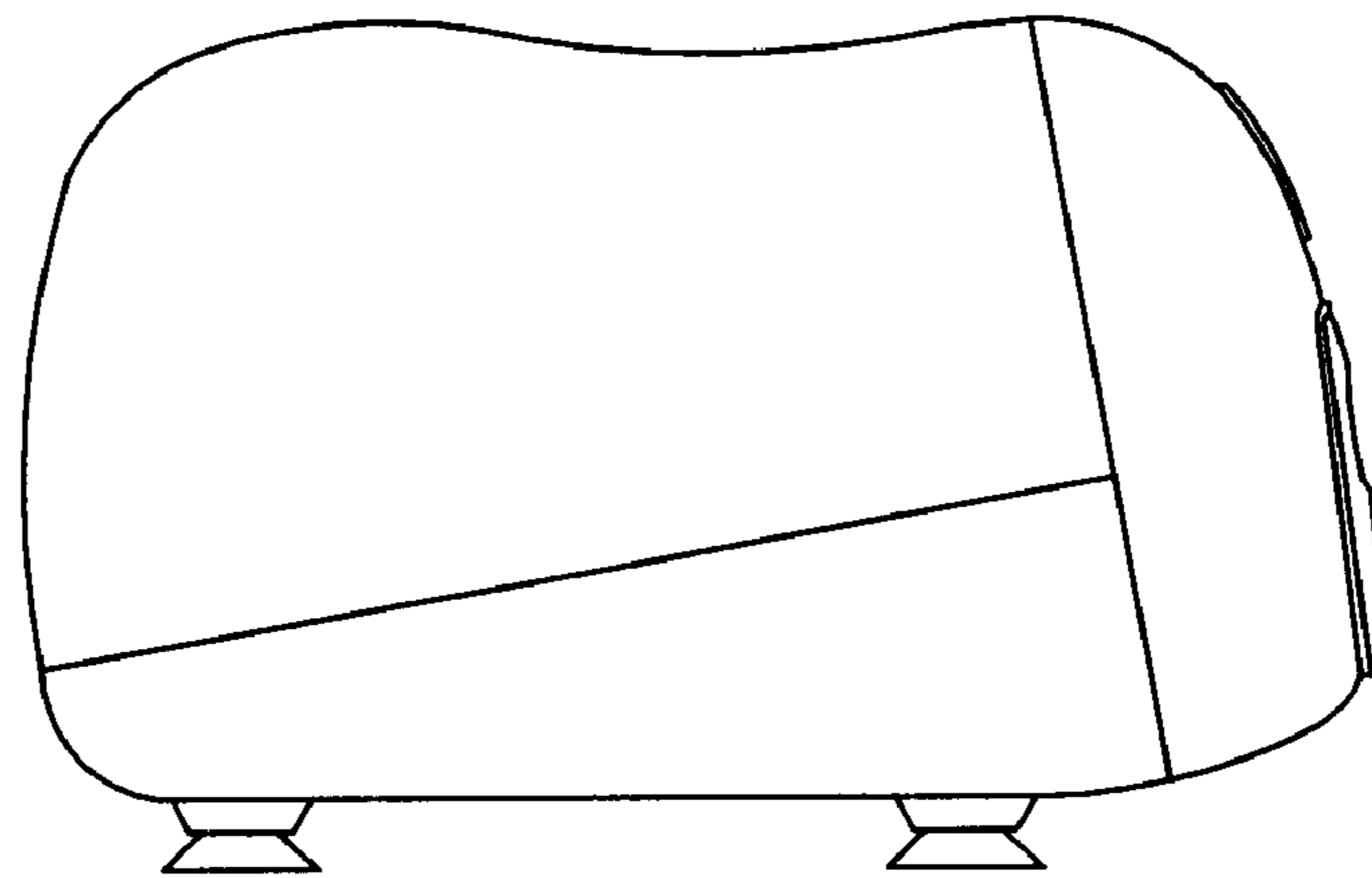


Fig. 4

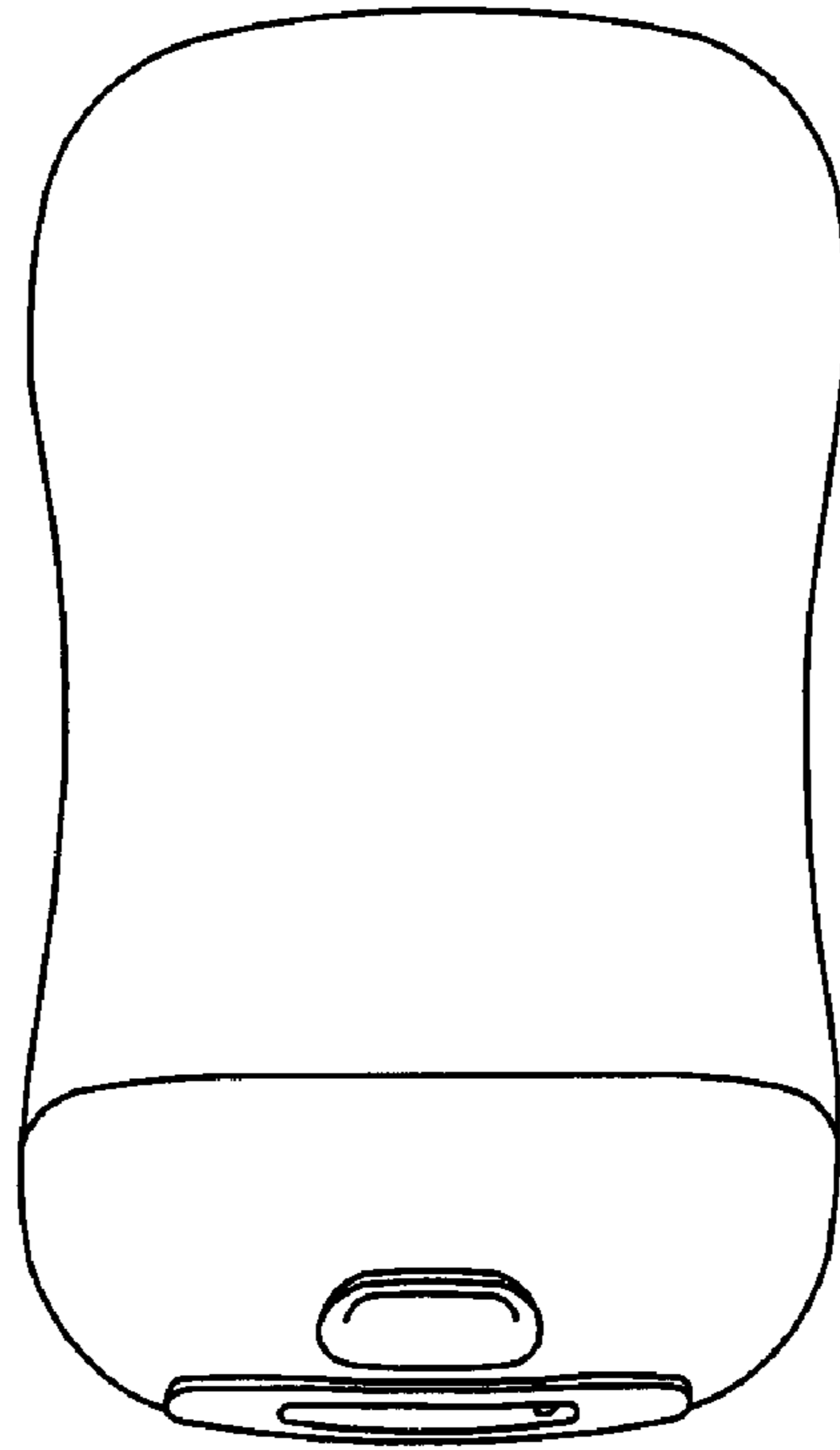


Fig. 5

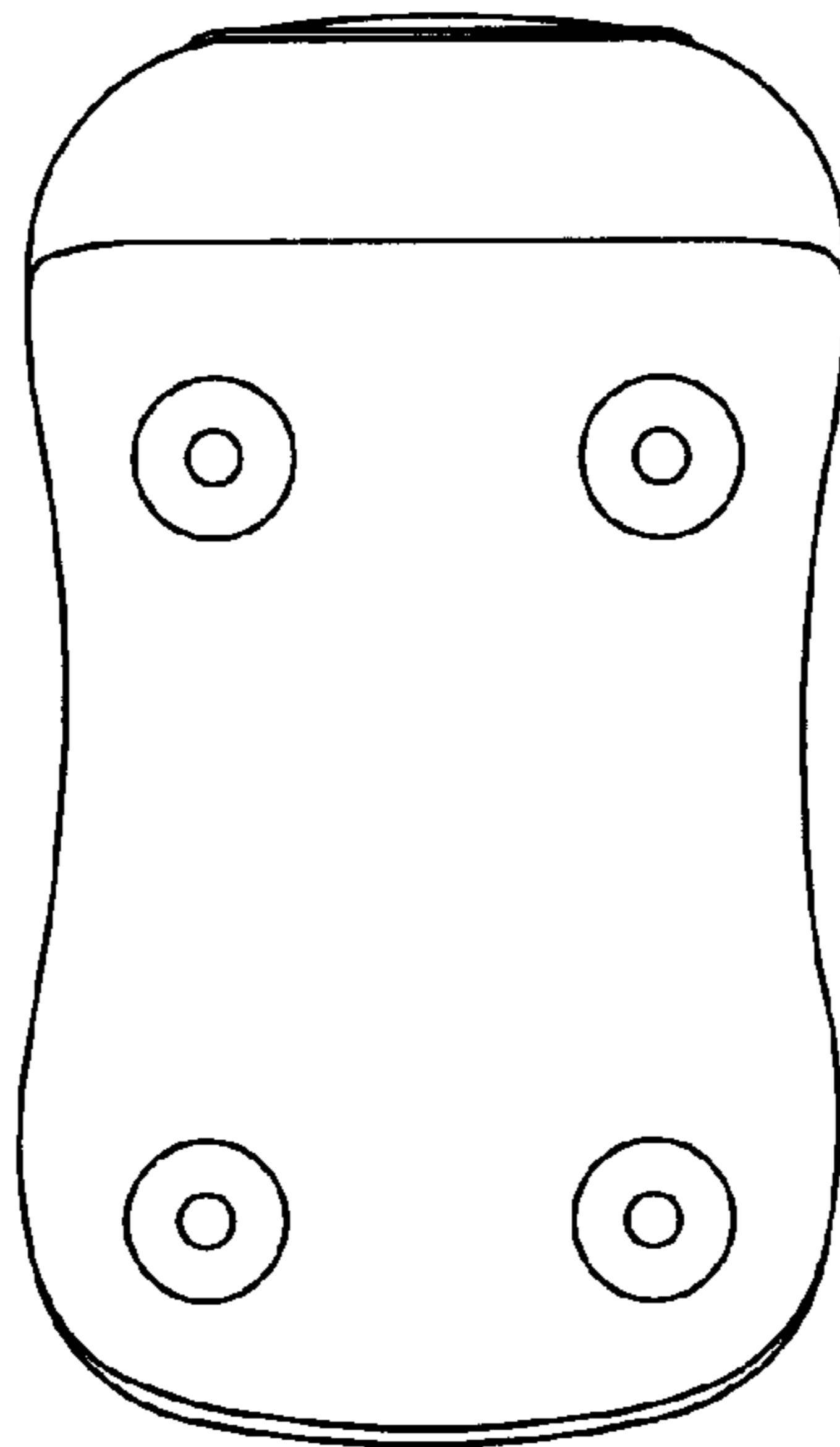


Fig. 6

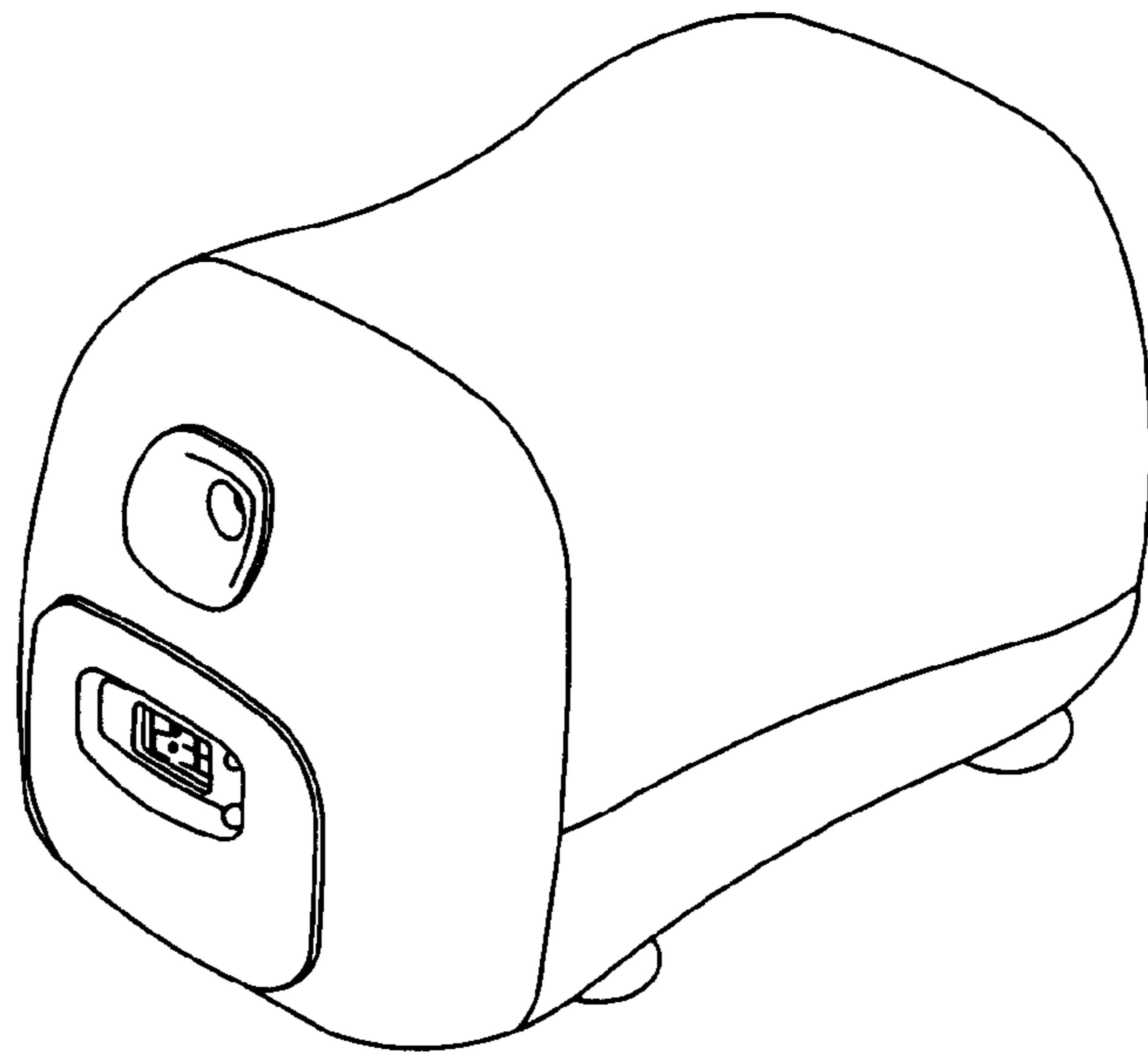


Fig. 7



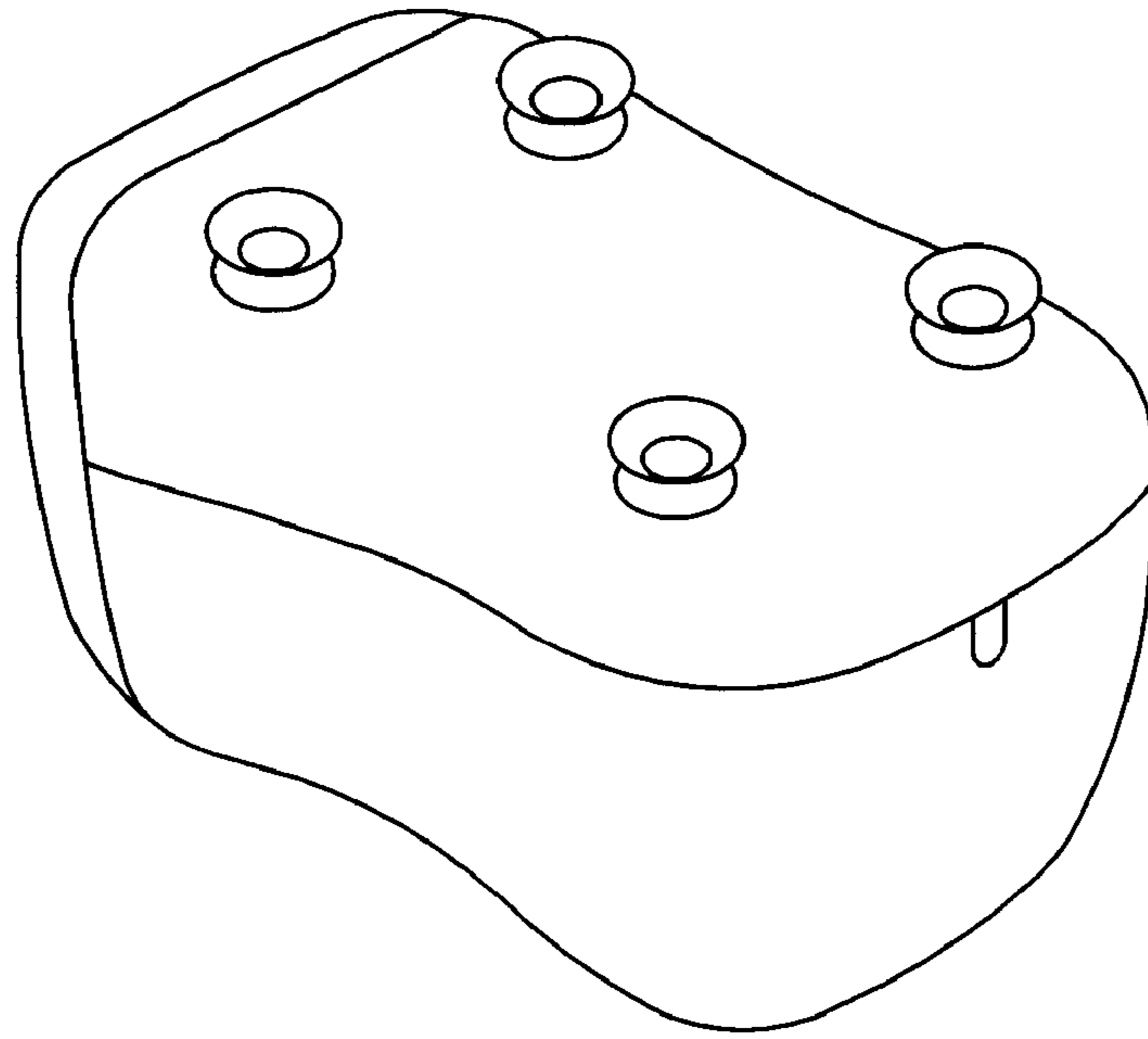


Fig. 8