

US00D495003S1

(12) **United States Design Patent**
Cetera

(10) **Patent No.:** **US D495,003 S**
(45) **Date of Patent:** **** Aug. 24, 2004**

(54) **PEN**

DESCRIPTION

(75) **Inventor:** **Carl Cetera**, Tenafly, NJ (US)

FIG. 1 is a perspective view of the first embodiment of a pen;
FIG. 2 is a front plan view of the first embodiment of the pen of FIG. 1;

(73) **Assignee:** **Cotapaxi, Inc**, Carlstadt, NJ (US)

FIG. 3 is a right side elevational view of the first embodiment of the pen of FIG. 1;

(**) **Term:** **14 Years**

FIG. 4 is a rear plan view of the first embodiment of the pen of FIG. 1;

(21) **Appl. No.:** **29/197,500**

FIG. 5 is a bottom elevational view of the first embodiment of the pen of FIG. 1;

(22) **Filed:** **Jan. 14, 2004**

FIG. 6 is a top elevational view of the first embodiment of the pen of FIG. 1; and;

(51) **LOC (7) Cl.** **19-06**

FIG. 7 is a perspective view of a further embodiment of a pen;

(52) **U.S. Cl.** **D19/51; D19/55; D19/56**

FIG. 8 is a front plan view of the further embodiment of the pen of FIG. 7;

(58) **Field of Search** **D19/35, 36, 41-51, 106-110, 111-117, 209; 24/10 R, 11 R, 11 P, 11 PP, 11 HC**

FIG. 9 is a right side elevational view of the further embodiment of the pen of FIG. 7;

(56) **References Cited**

U.S. PATENT DOCUMENTS

FIG. 10 is a rear plan view of the further embodiment of the pen of FIG. 7;

D153,679 S	*	5/1949	Gruber	D19/51
D183,917 S	*	11/1958	Dreyfuss	D19/51
3,019,767 A	*	2/1962	Ambros	401/111
D364,424 S	*	11/1995	Shimizu	D19/51
D375,525 S	*	11/1996	Boix Gacia	D19/51
D394,087 S	*	5/1998	Boix Gacia	D19/51
D400,583 S	*	11/1998	Boix Gacia	D19/51
D471,931 S	*	3/2003	Lecce	D19/51

FIG. 11 is a bottom elevational view of the further embodiment of the pen of FIG. 7; and,

* cited by examiner

FIG. 12 is a top elevational view of the first embodiment of the pen of FIG. 7.

Primary Examiner—Martie K. Holtje
(74) *Attorney, Agent, or Firm*—Brian Carpenter

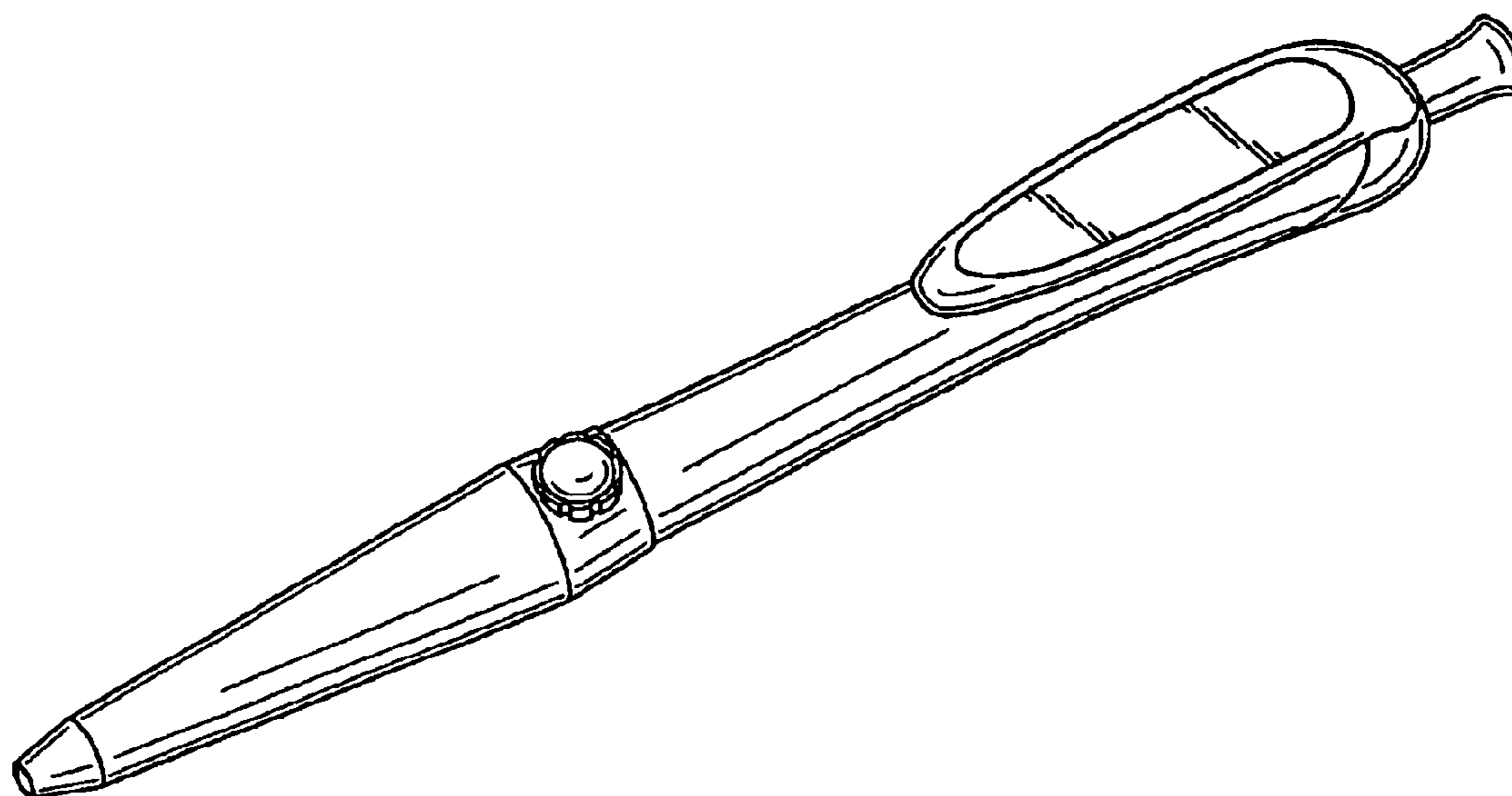
The left side elevational view of the first embodiment of the pen of FIG. 1 is a mirror image of the right side elevation view shown in FIG. 3.

The left side elevational view of the further embodiment of the pen of FIG. 7 is a mirror image of the right side elevation view shown in FIG. 9.

(57) **CLAIM**

1 Claim, 2 Drawing Sheets

The ornamental design for a pen, as shown and described.



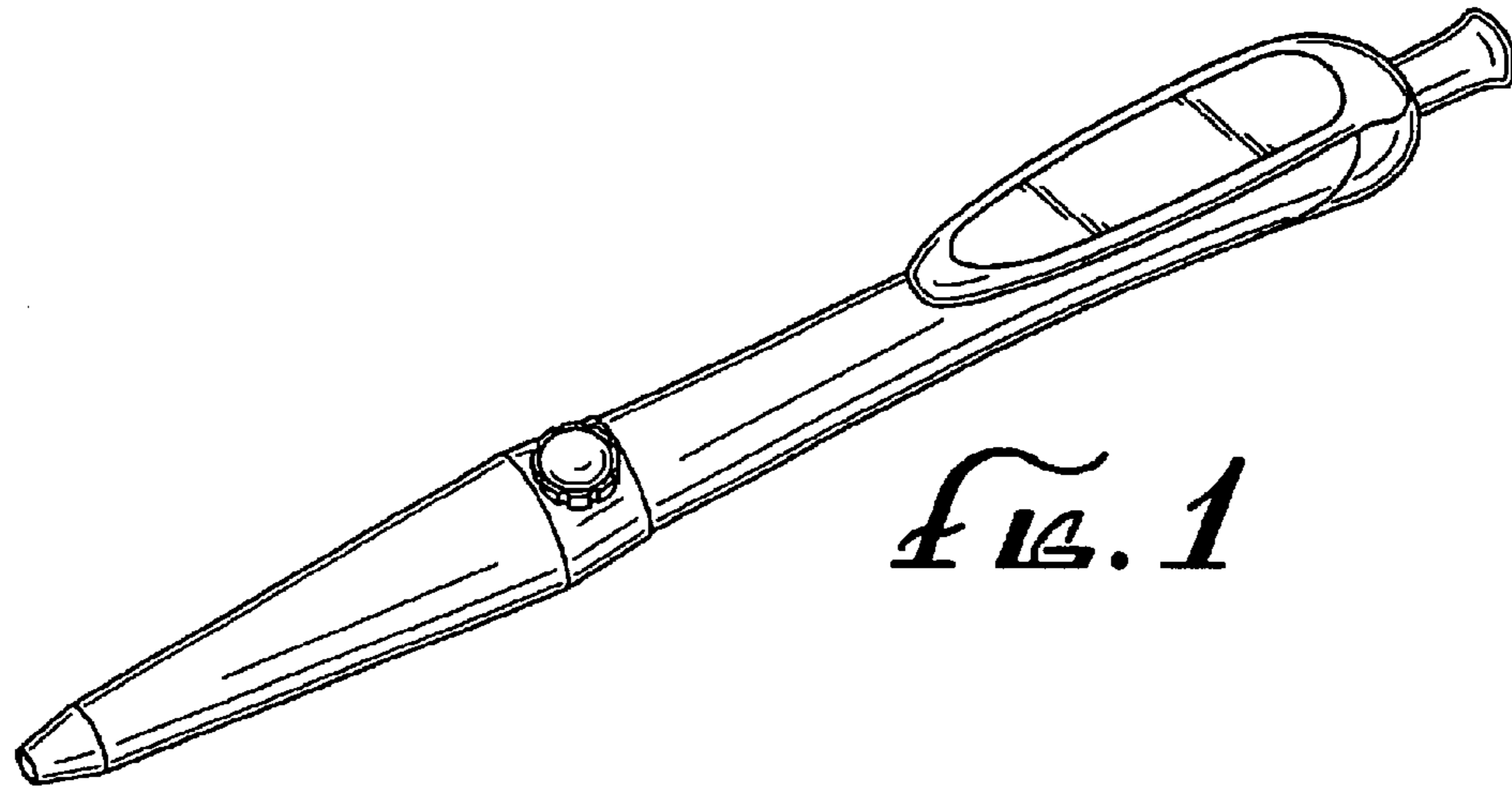


FIG. 1

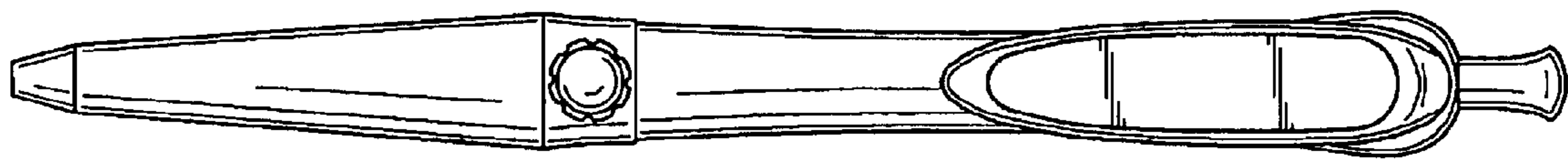


FIG. 2

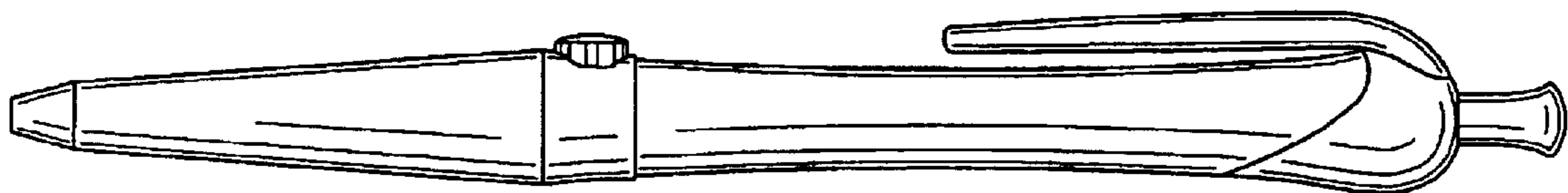


FIG. 3

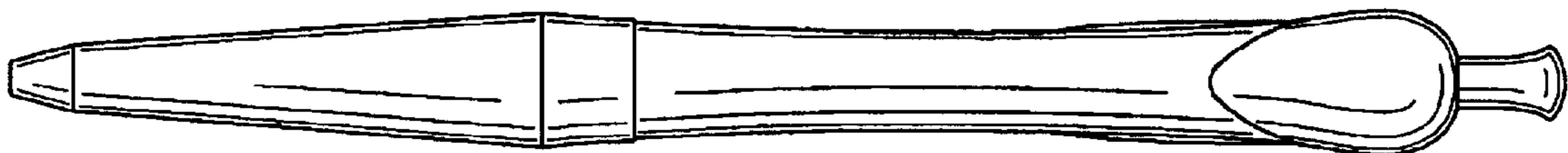


FIG. 4

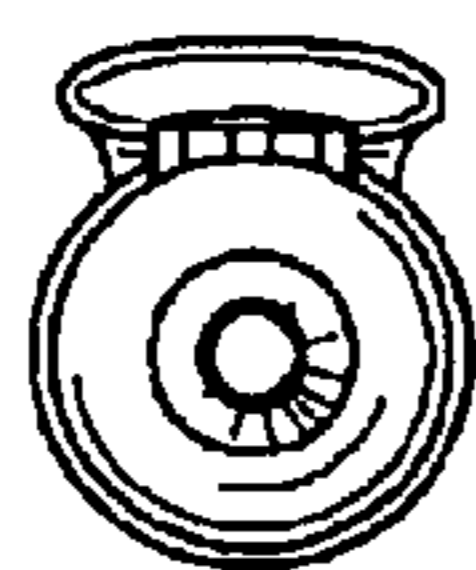


FIG. 5



FIG. 6

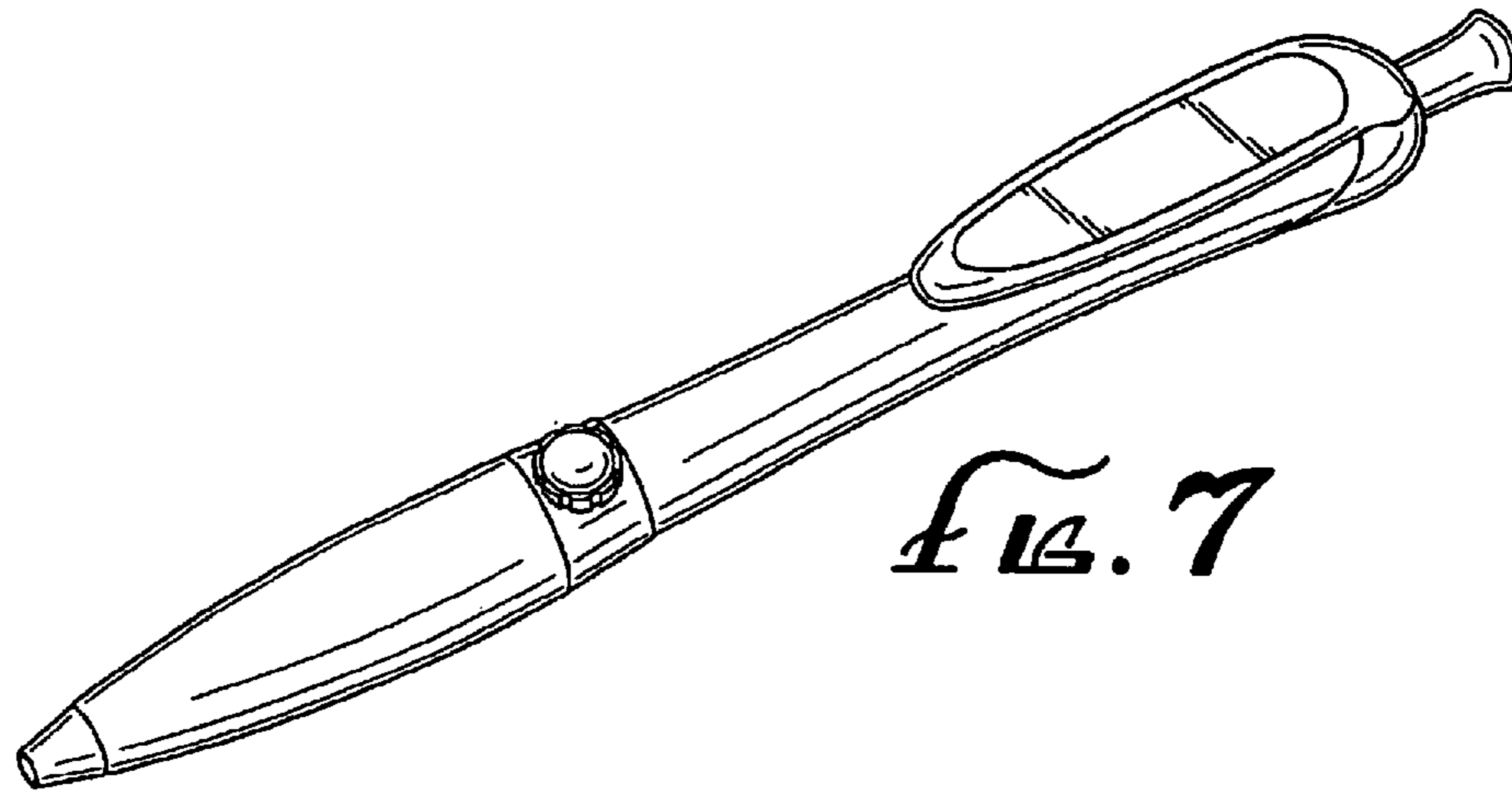


Fig. 7

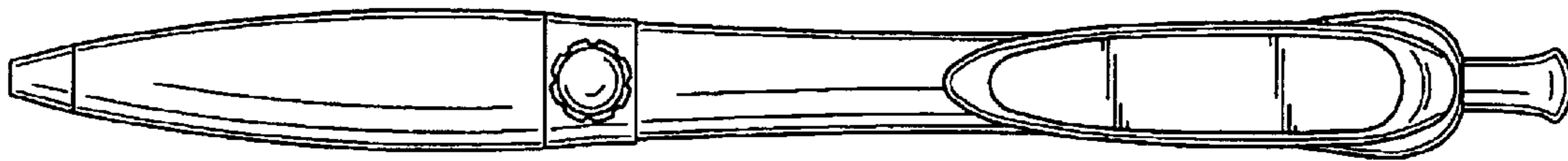


Fig. 8

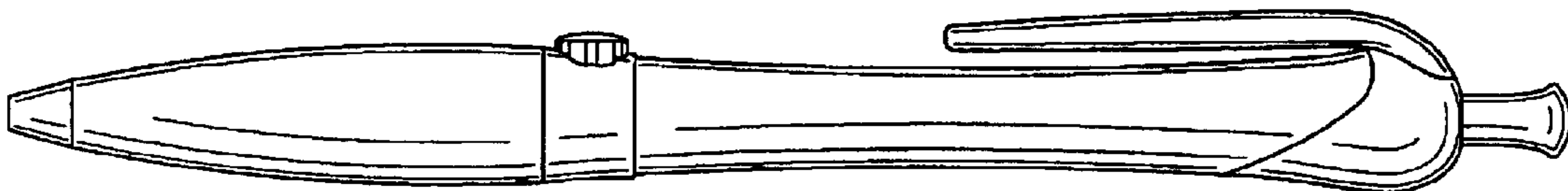


Fig. 9

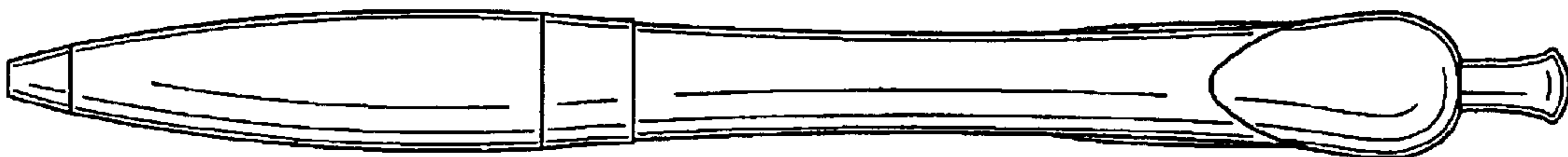


Fig. 10

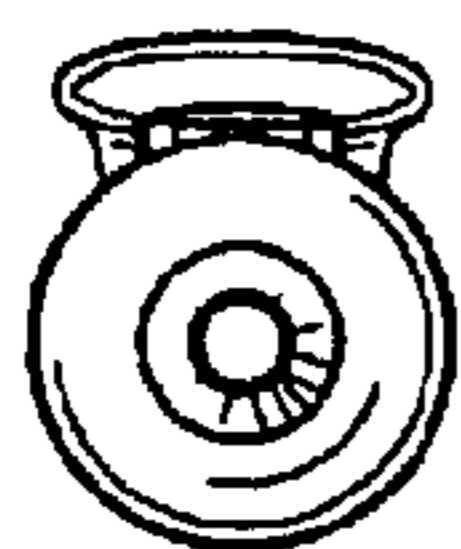


Fig. 11



Fig. 12