



US00D494999S1

(12) **United States Design Patent**
Cook, Jr.

(10) **Patent No.:** **US D494,999 S**
(45) **Date of Patent:** **** Aug. 24, 2004**

(54) **CREDIT CARD WITH ACCESSIBLE
ROTATABLE STORAGE MEMBER**

(75) Inventor: **Bert D. Cook, Jr.**, Morgan Hill, CA
(US)

(73) Assignee: **UltraCard, Inc.**, Los Gatos, CA (US)

(**) Term: **14 Years**

(21) Appl. No.: **29/152,431**

(22) Filed: **Dec. 14, 2001**

(51) **LOC (7) Cl.** **19-01**

(52) **U.S. Cl.** **D19/10; D3/247**

(58) **Field of Search** D3/207, 208, 247,
D3/249; D14/435, 436, 437, 438, 478,
479; D19/1, 9, 10, 11; D20/22, 27, 28,
40; 235/380, 382, 449, 454, 487, 488; 281/38;
283/67, 74, 81, 101, 107, 108, 109, 110,
904; 360/2; 428/916

(56) **References Cited**

U.S. PATENT DOCUMENTS

D328,457 S * 8/1992 Matsuzaka D14/478
D410,769 S * 6/1999 Dorizas D3/249
D425,876 S * 5/2000 Maiers et al. D14/478
6,116,655 A * 9/2000 Thouin et al. 283/107

* cited by examiner

Primary Examiner—Doris V. Coles

Assistant Examiner—Elizabeth A. Albert

(74) *Attorney, Agent, or Firm*—James E. Parsons; Bever,
Hoffman & Harms, LLP

(57) **CLAIM**

The ornamental design for a credit card with accessible
rotatable storage member, as shown and described.

DESCRIPTION

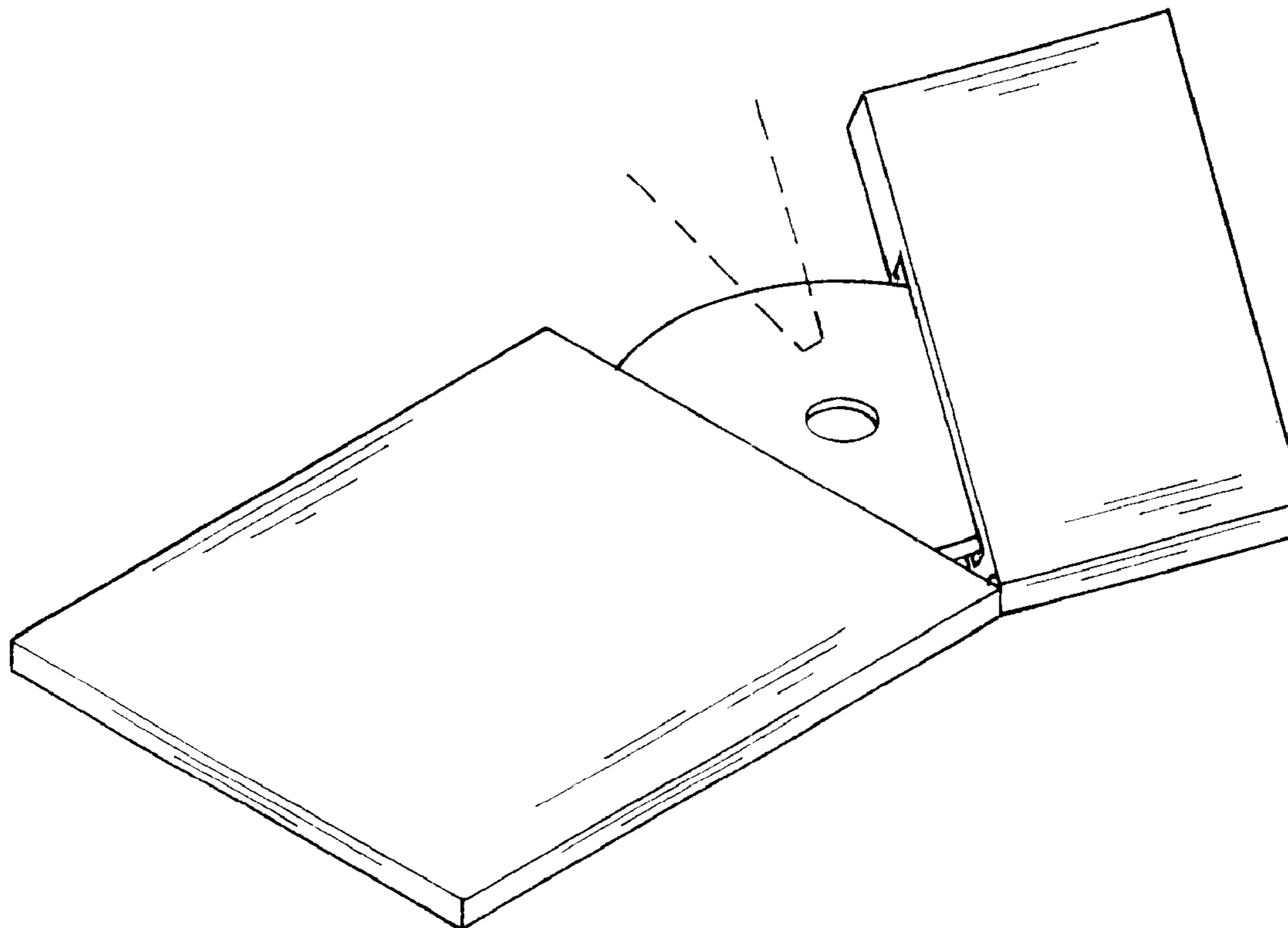
FIG. 1 is a top, left side and front perspective view of the
first embodiment of a credit card with accessible rotatable
storage member having a pivotally mounted lid in closed
condition.

FIG. 2 is a top, left side and front perspective view of the
second embodiment of a credit card with accessible rotatable
storage member having a pivotally mounted lid in open
condition showing the rotatable data storage member inside;
and,

FIG. 3 is a top, left side and front perspective view of the
third embodiment of a credit card with accessible rotatable
storage member having a pivotally mounted lid in open
condition showing the rotatable data storage member inside.

The broken lines showing the head/arm assembly for access-
ing the rotatable data storage member in the drawing are for
illustrative purposes only and form no part of the claimed
design.

1 Claim, 1 Drawing Sheet



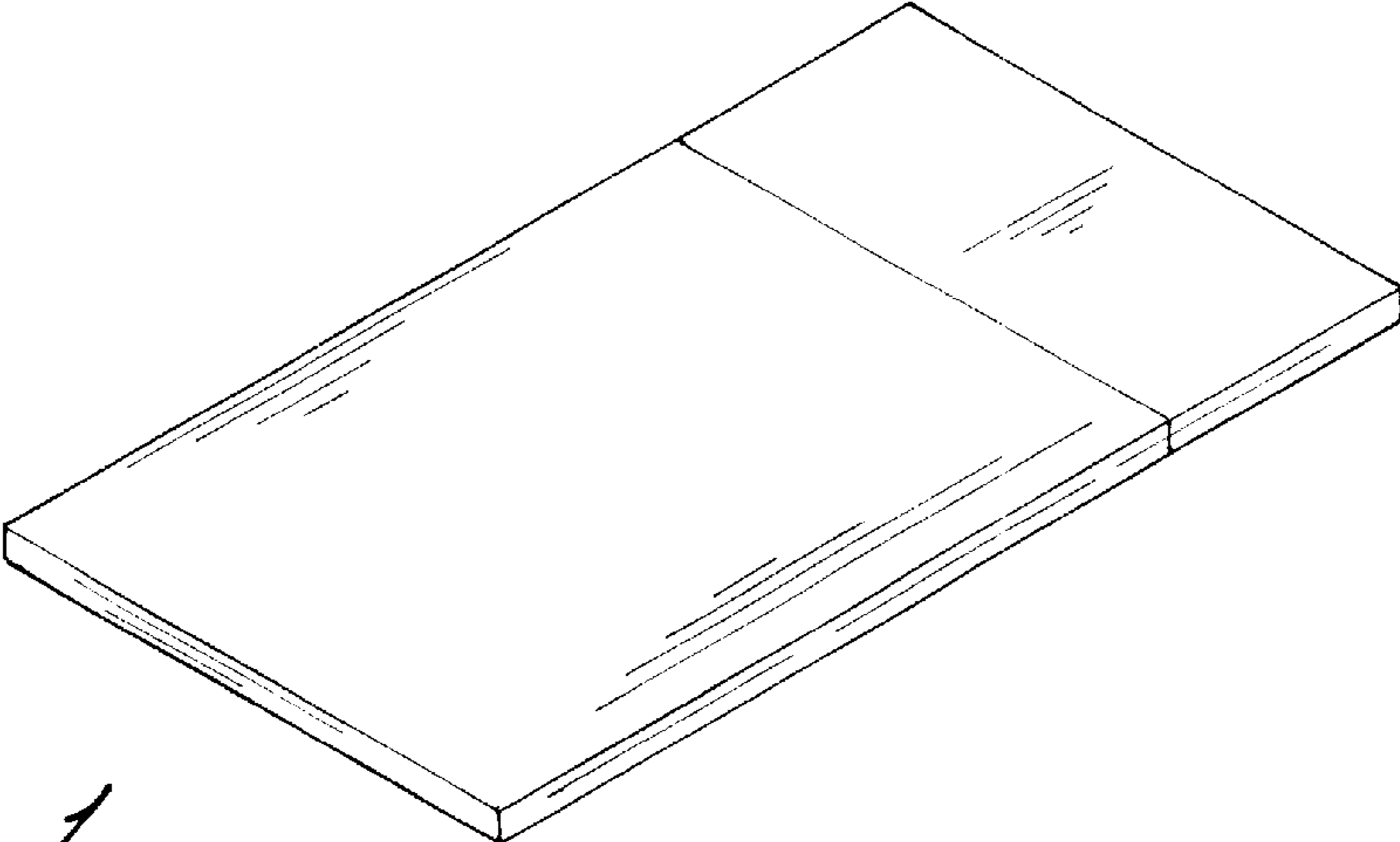


Fig 1

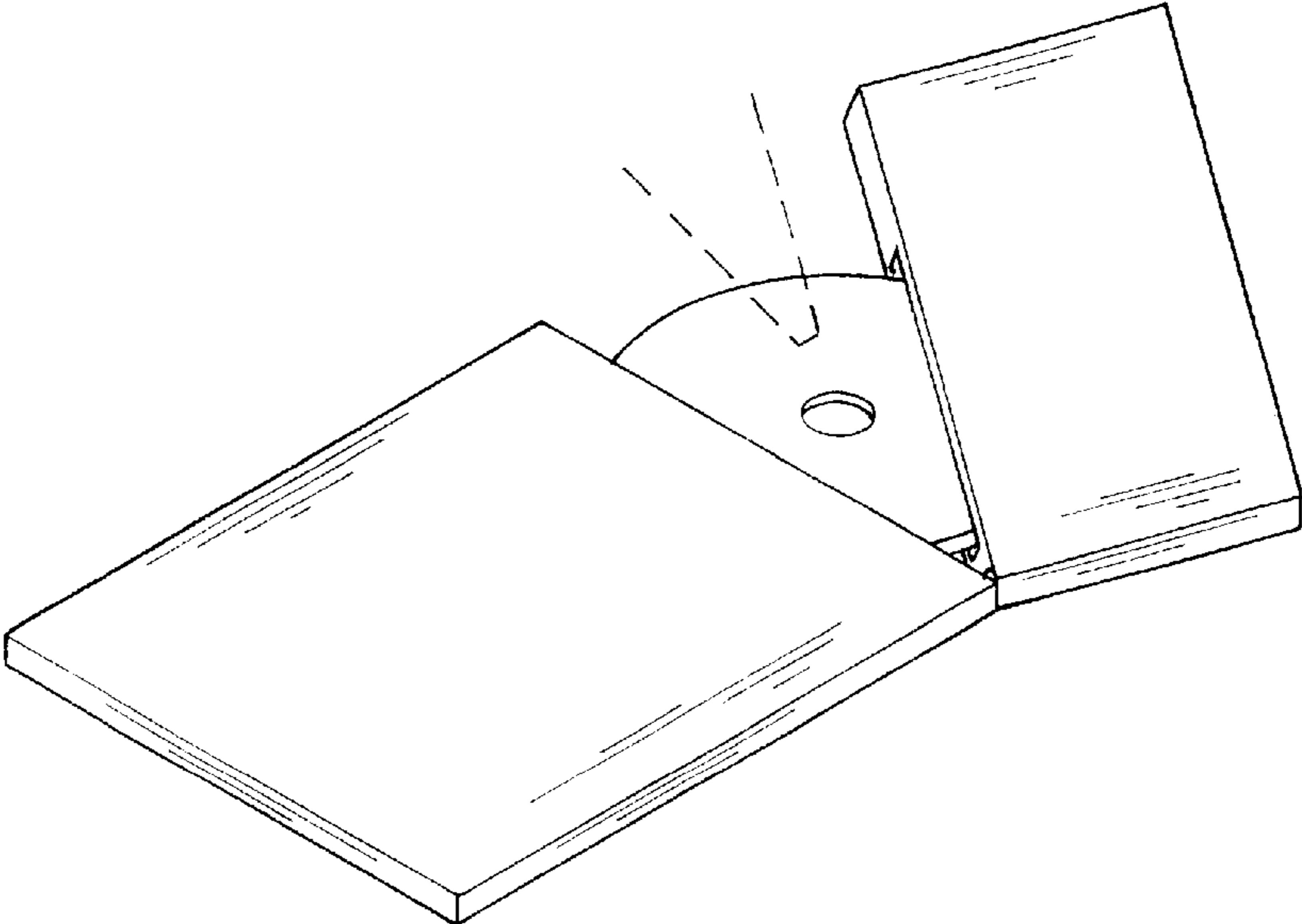


Fig 2

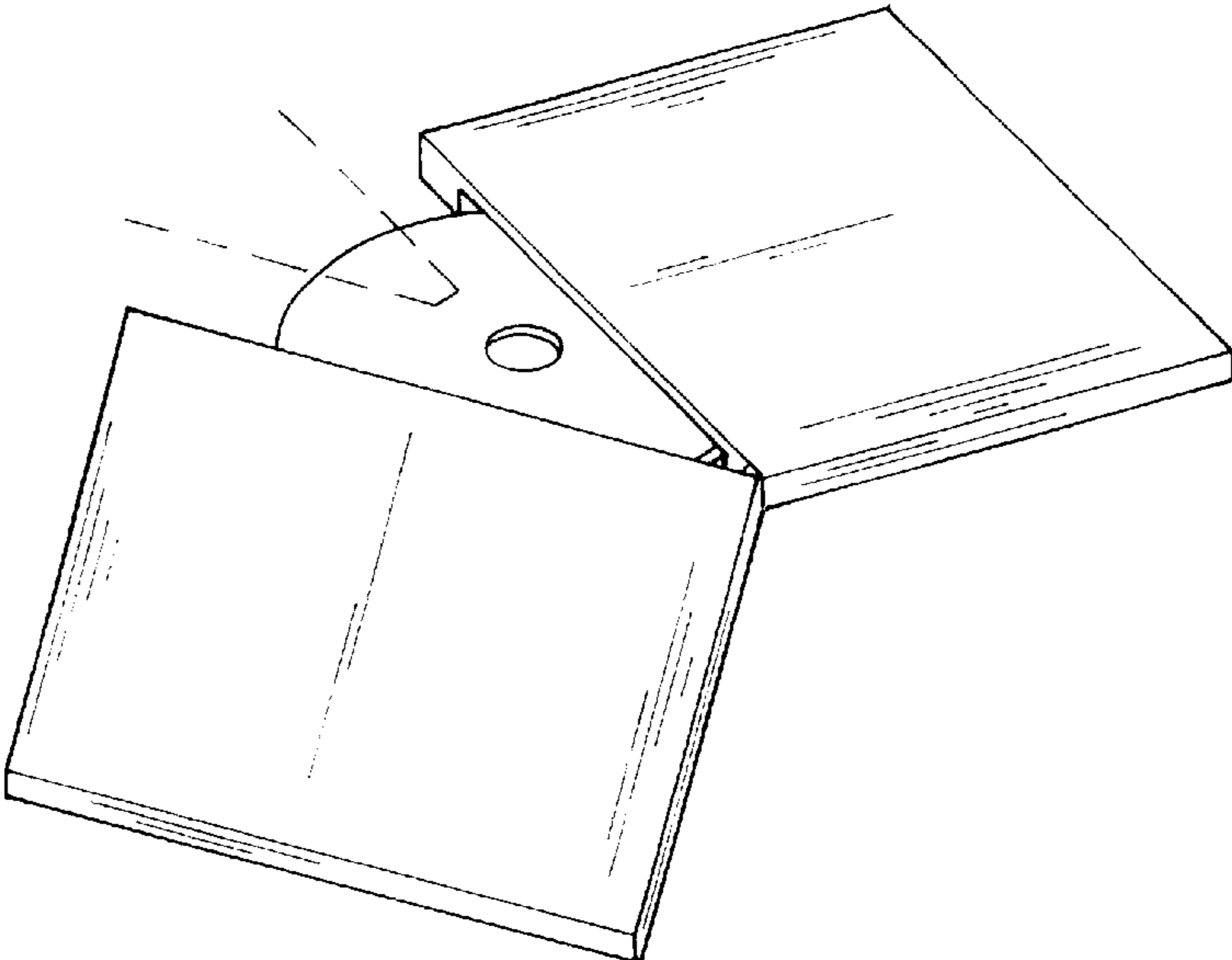


Fig 3