

US00D494995S1

(12) **United States Design Patent**
Kim et al.

(10) **Patent No.: US D494,995 S**
(45) **Date of Patent: ** Aug. 24, 2004**

(54) **OVERHEAD PROJECTOR**

(75) Inventors: **Ju-bok Kim**, Gyeonggi-do (KR);
Shigeru Onawa, Tokyo (JP)

(73) Assignee: **Samsung Techwin Co., Ltd.** (KR)

(**) Term: **14 Years**

(21) Appl. No.: **29/162,851**

(22) Filed: **Jun. 21, 2002**

(30) **Foreign Application Priority Data**

Apr. 17, 2002 (KR) 2001-11129

(51) **LOC (7) Cl.** **16-02**

(52) **U.S. Cl.** **D16/232; D14/423**

(58) **Field of Search** D16/221, 225,
D16/229, 232, 234; D14/423; 348/373-376;
353/119, 122, DIG. 3, DIG. 4; 358/474

(56) **References Cited**

U.S. PATENT DOCUMENTS

5,247,330	A	*	9/1993	Ohyama et al.	348/373
D376,139	S	*	12/1996	Hasegawa	D14/423
5,642,206	A	*	6/1997	Yamamori et al.	348/375
5,796,495	A	*	8/1998	Miyata et al.	358/471
D422,571	S	*	4/2000	Sakata et al.	D14/423
D423,472	S	*	4/2000	Adachi	D14/423
D424,091	S	*	5/2000	Oh	D16/232
D433,683	S	*	11/2000	Adachi et al.	D14/423
D454,351	S	*	3/2002	Adachi et al.	D16/232

FOREIGN PATENT DOCUMENTS

KR 30-0238522 6/1999

OTHER PUBLICATIONS

Elmo Catalog, Feb.2000 (EV-701AF projector).*

* cited by examiner

Primary Examiner—Adir Aronovich

(74) *Attorney, Agent, or Firm*—St. Onge Steward Johnston & Reens LLC

(57) **CLAIM**

The ornamental design for an overhead projector, as shown and described.

DESCRIPTION

FIG. 1 is a perspective view of an overhead projector according to the new design;

FIG. 2 is a front view of an overhead projector according to the new design;

FIG. 3 is a rear view of an overhead projector according to the new design;

FIG. 4 is a left side view of an overhead projector according to the new design;

FIG. 5 is a right side view of an overhead projector according to the new design;

FIG. 6 is a top plan view of an overhead projector according to the new design;

FIG. 7 is a bottom plan view of an overhead projector according to the new design; and,

FIG. 8 is a perspective view showing the overhead projector which is in folded state.

1 Claim, 7 Drawing Sheets

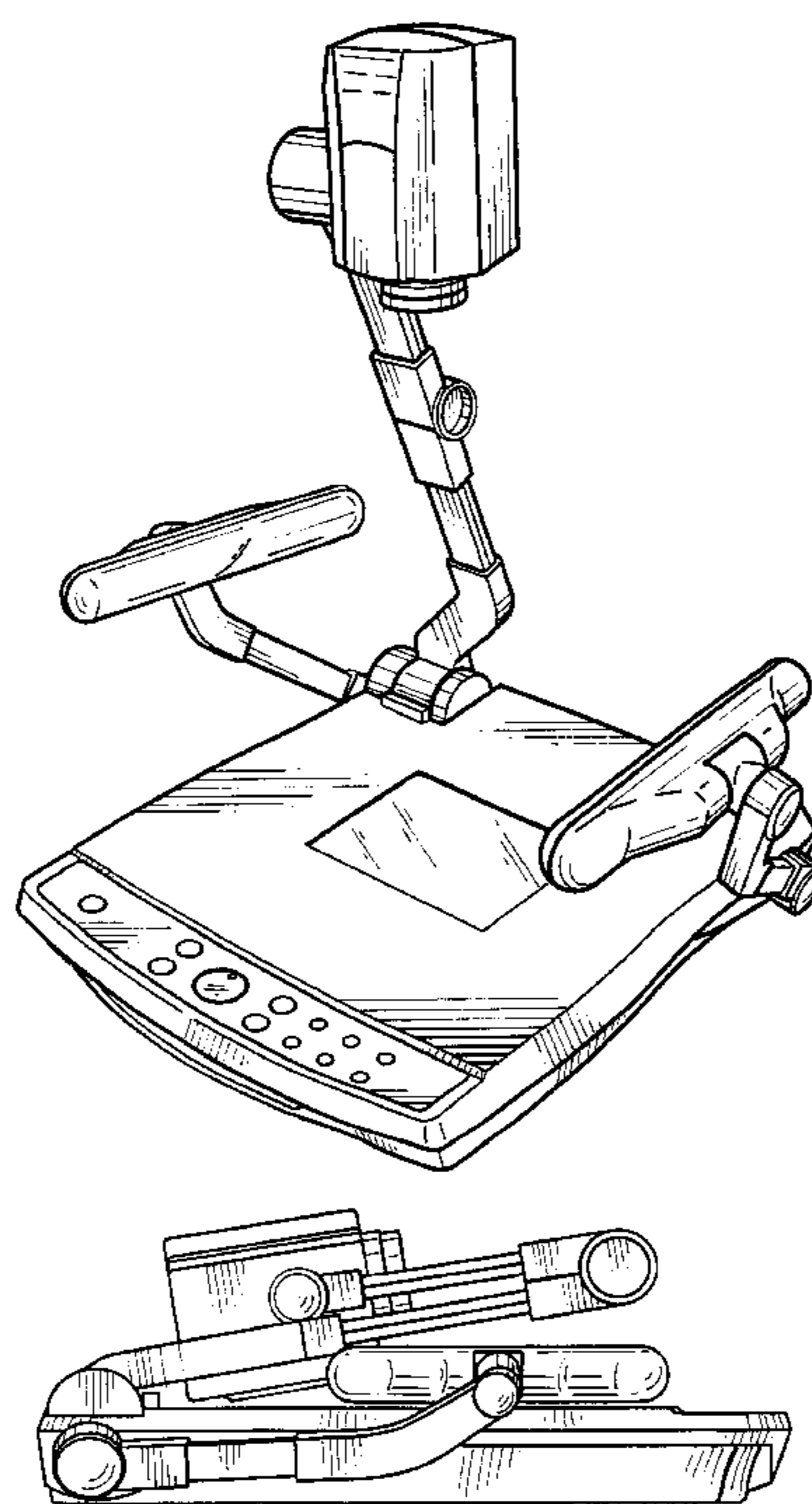


FIG. 1

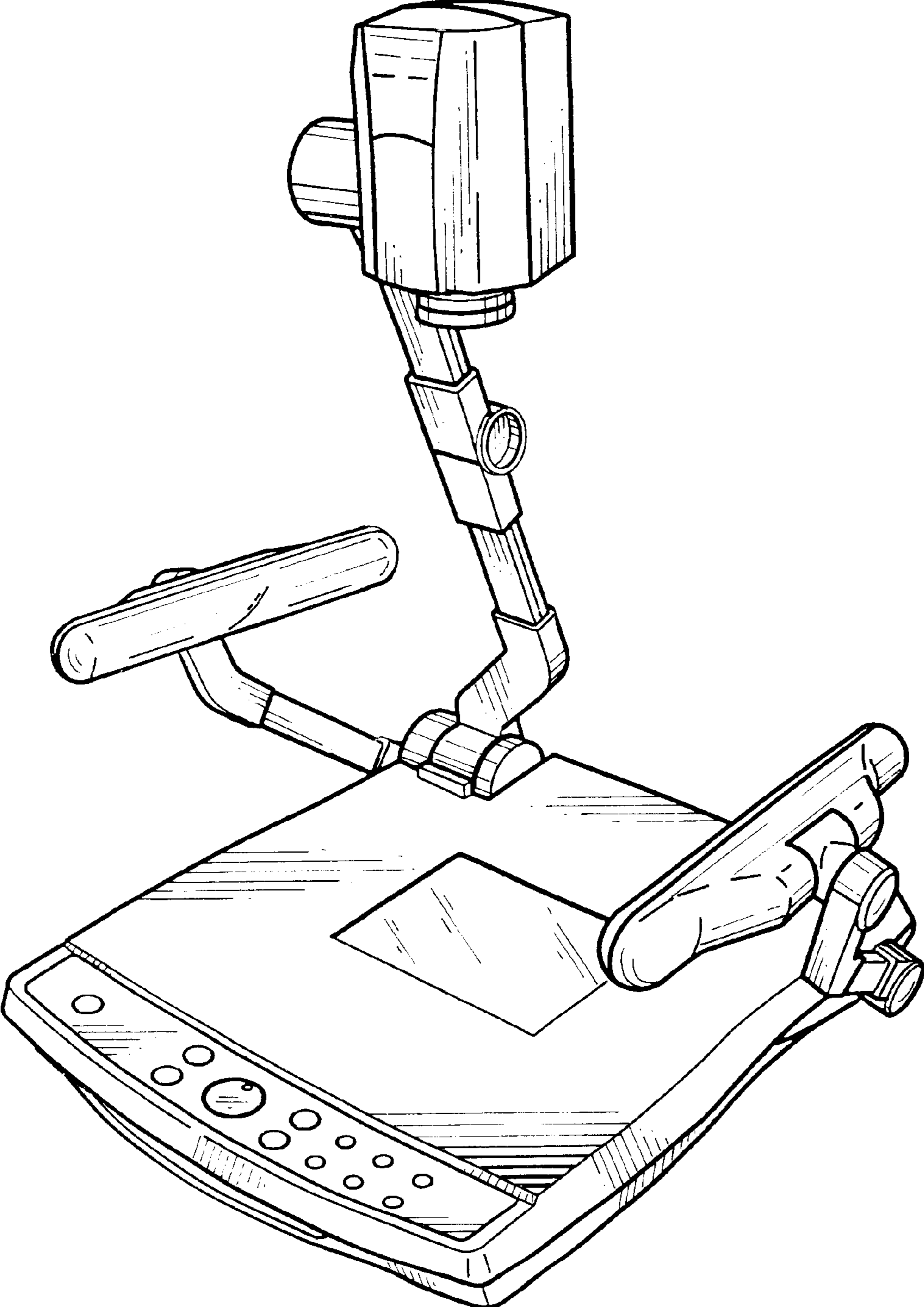


FIG. 2

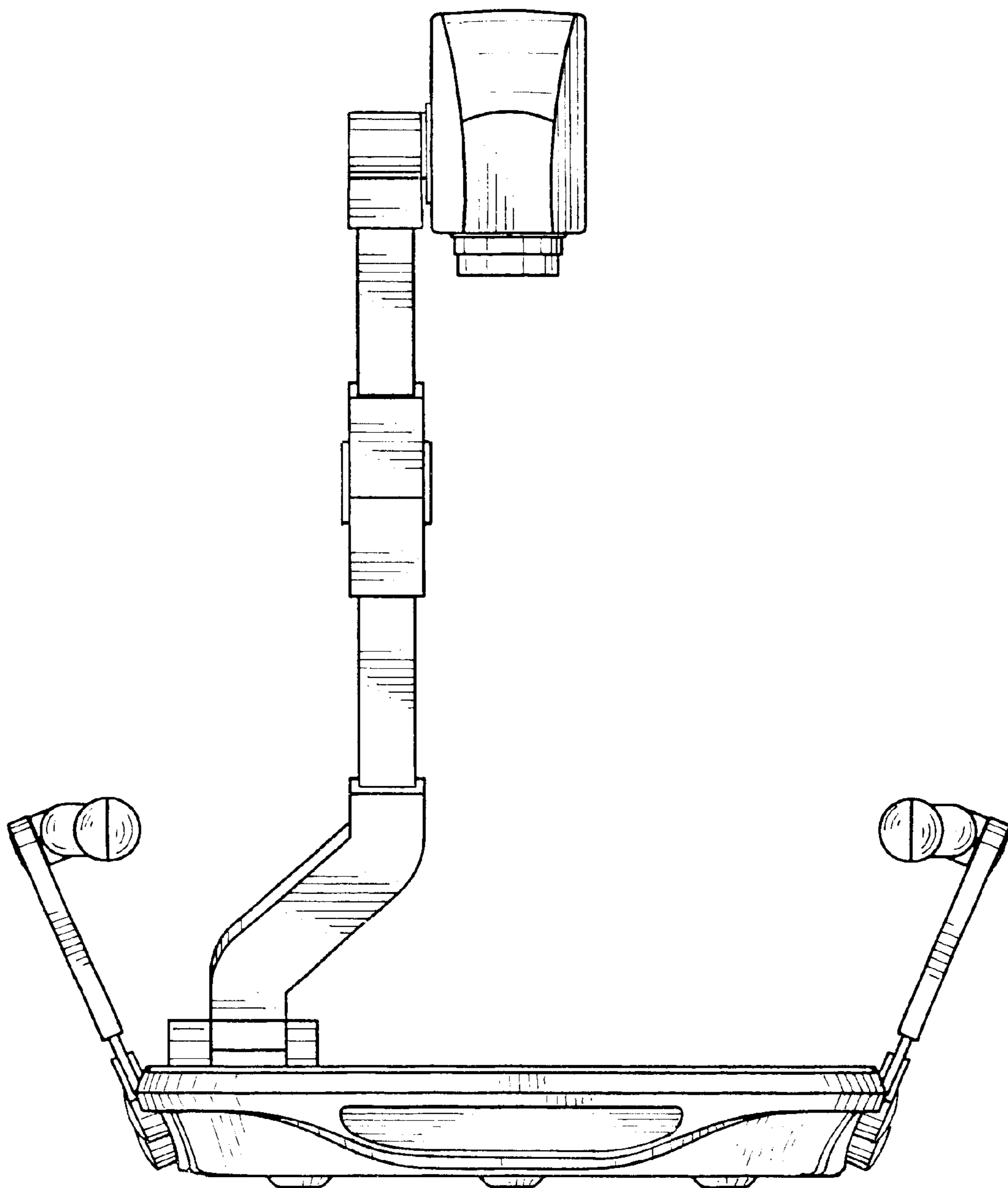


FIG. 3

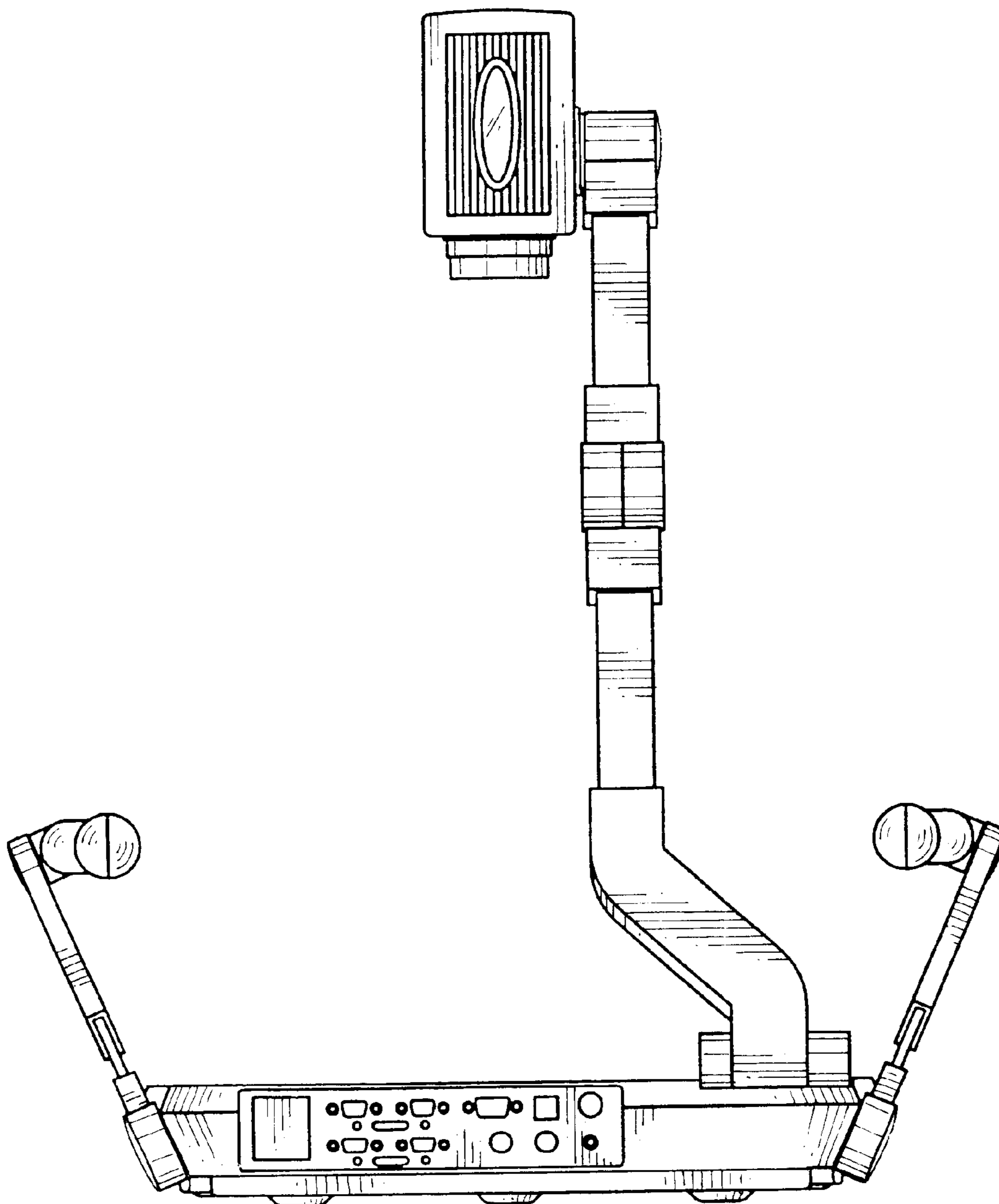


FIG. 4

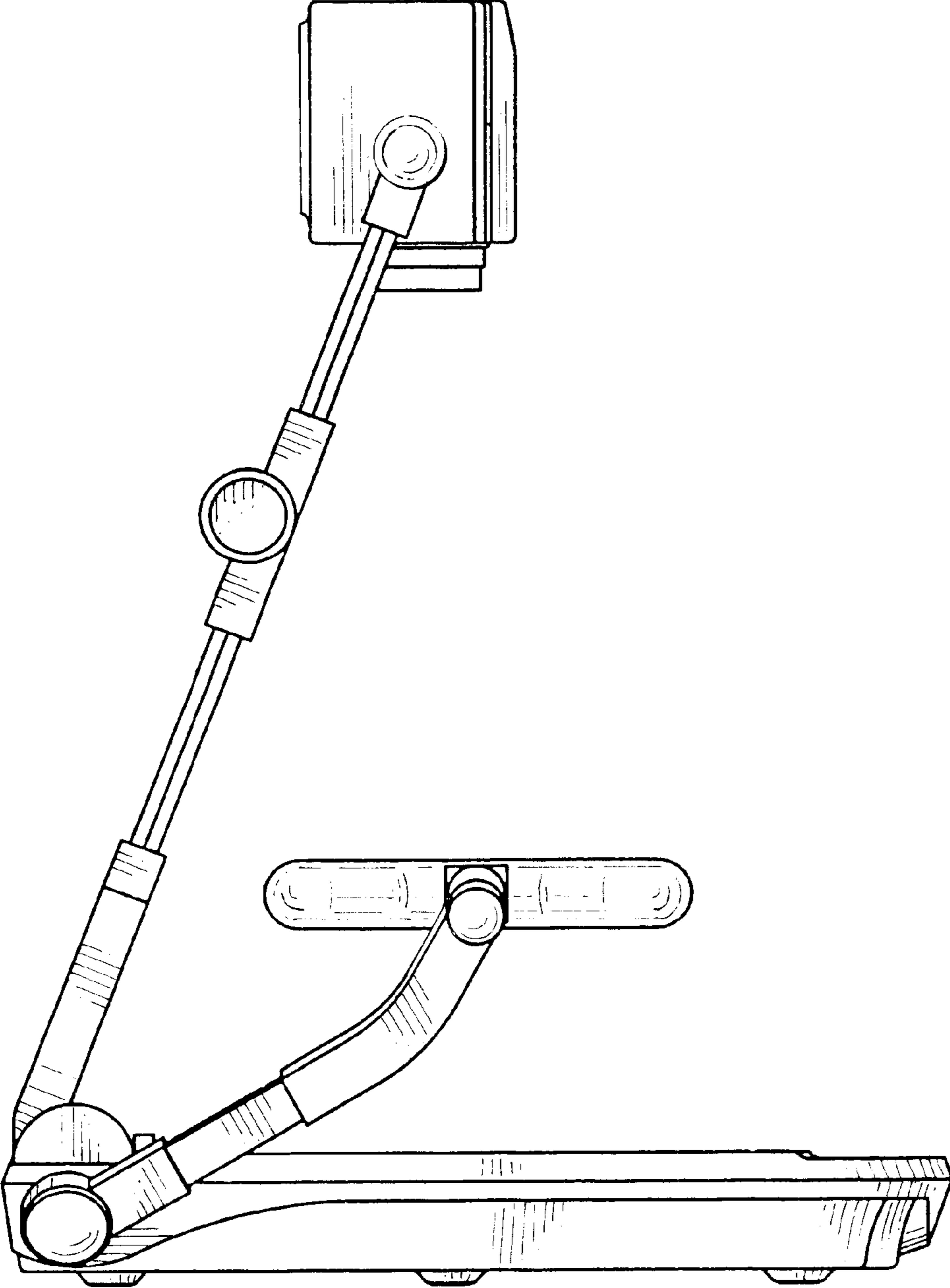


FIG. 5

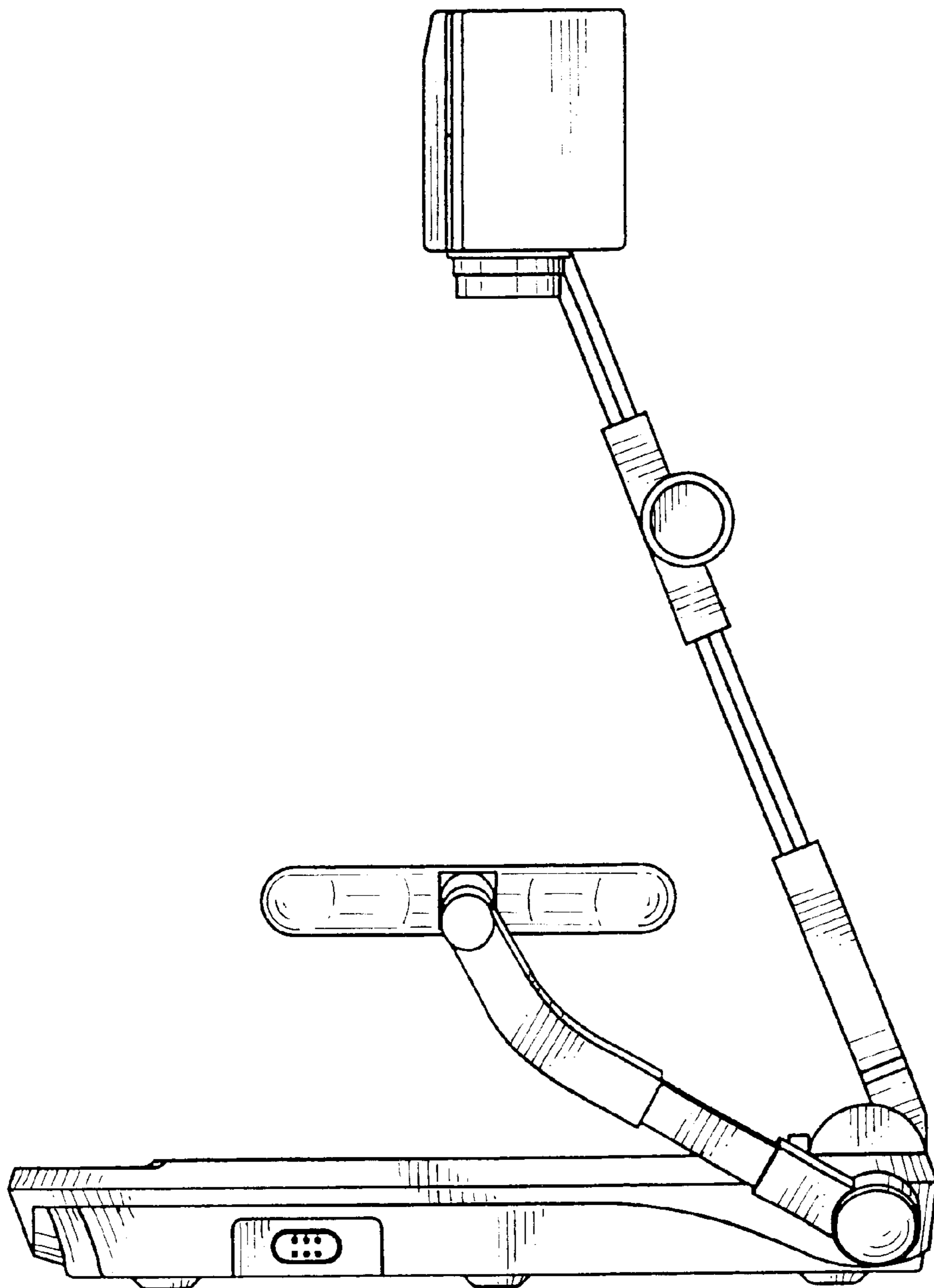


FIG. 6

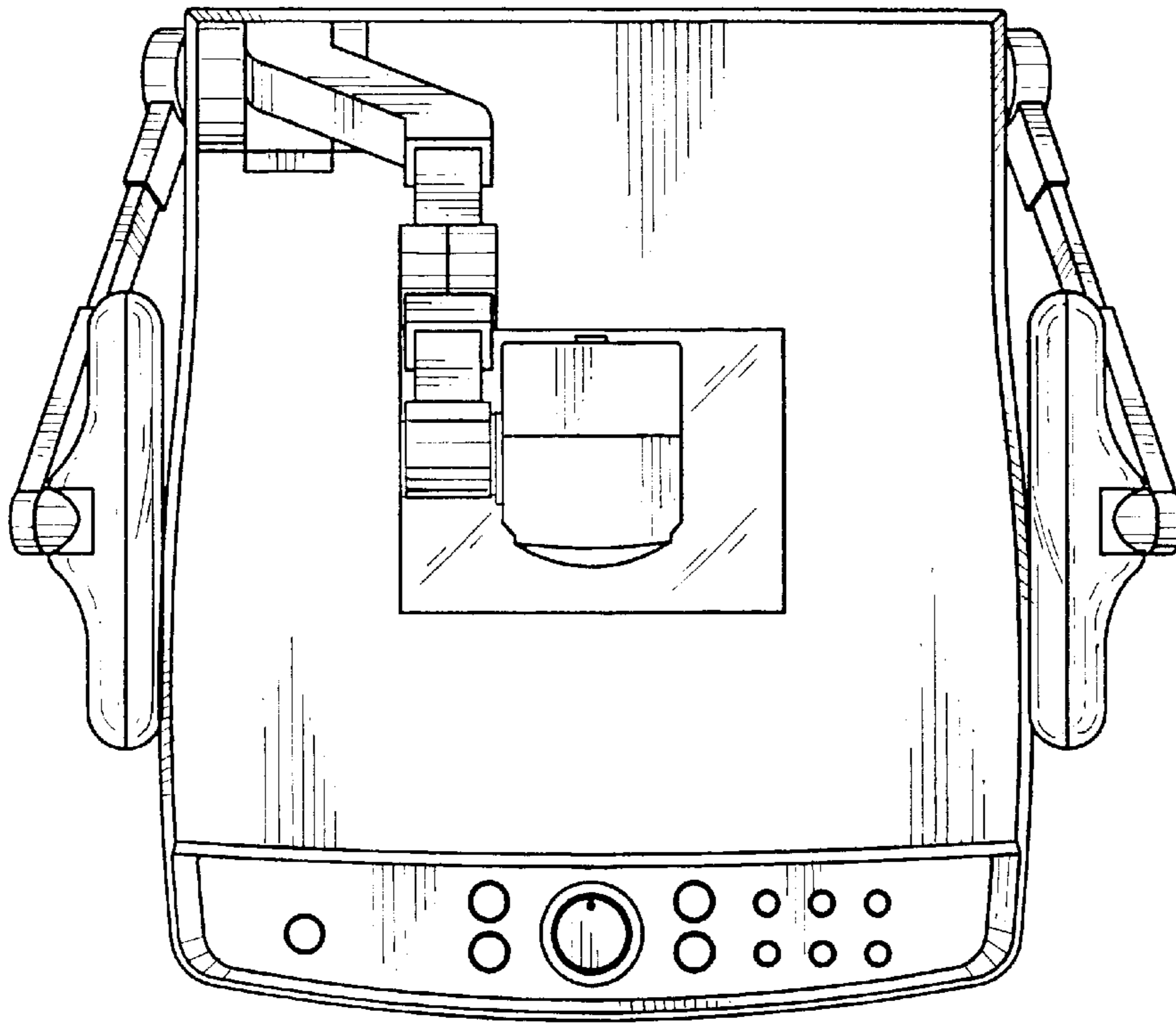


FIG. 7

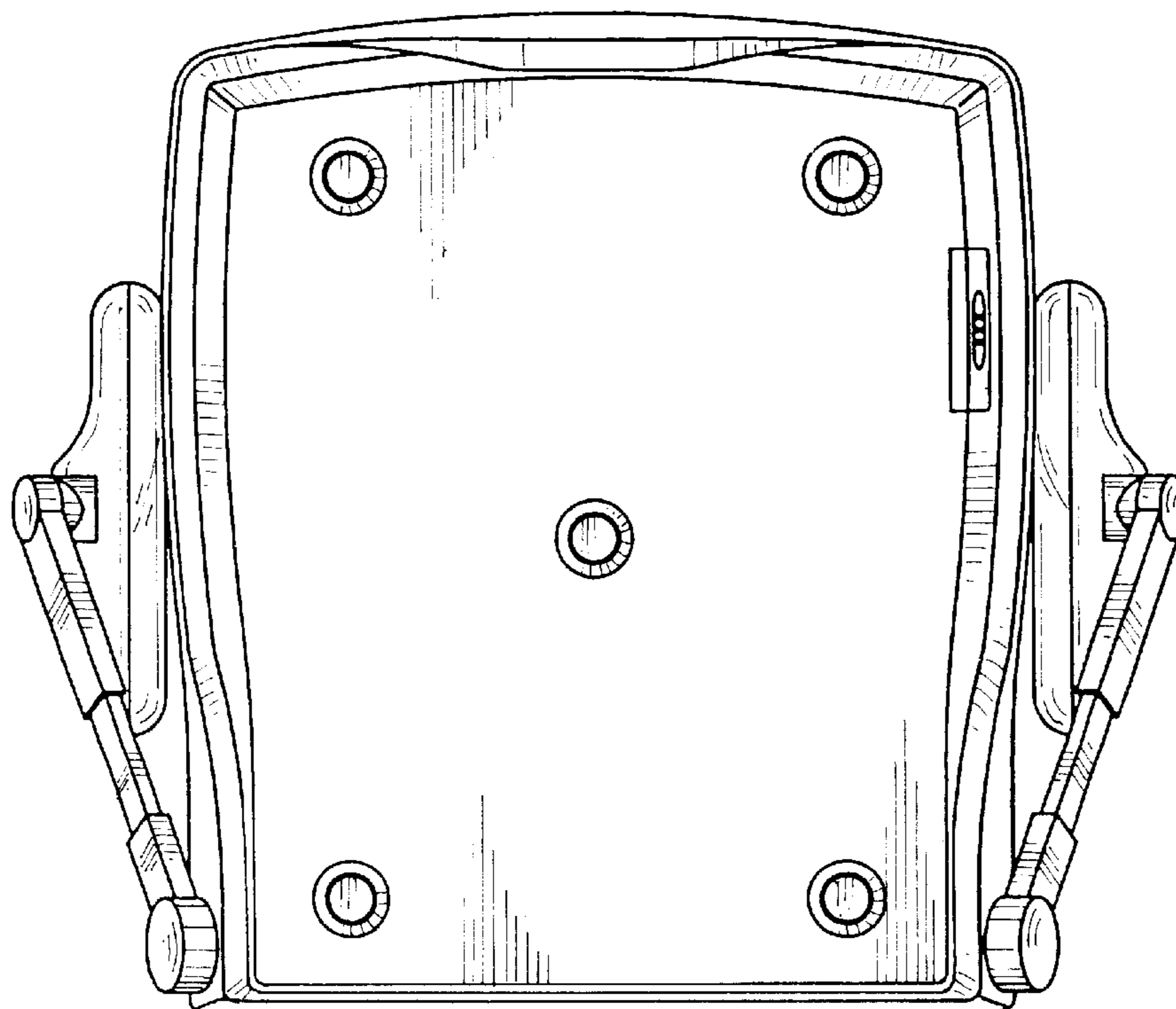


FIG. 8

