

US00D494993S1

(12) **United States Design Patent** (10) **Patent No.:** **US D494,993 S**  
**Uehara et al.** (45) **Date of Patent:** **\*\* Aug. 24, 2004**

(54) **ATTACHMENT FOR CAMERA**

6,453,125 B2 \* 9/2002 Shono ..... 396/534

(75) Inventors: **Mitsuhiro Uehara**, Tokyo (JP);  
**Hisanori Narita**, Tokyo (JP)

\* cited by examiner

*Primary Examiner*—Adir Aronovich

(73) Assignee: **Sony Corporation**, Tokyo (JP)

(74) *Attorney, Agent, or Firm*—Rader, Fishman & Grauer  
PLLC

(\*\*) Term: **14 Years**

(57) **CLAIM**

(21) Appl. No.: **29/180,919**

The ornamental design for an attachment for camera, as shown and described.

(22) Filed: **May 2, 2003**

**DESCRIPTION**

(51) **LOC (7) Cl.** ..... **16-05**

(52) **U.S. Cl.** ..... **D16/219**

(58) **Field of Search** ..... D16/200, 208,  
D16/219, 237; 352/243; 396/534, 535,  
540, 541, 544

FIG. 1 is a perspective view of an attachment for camera showing our new design;  
FIG. 2 is a front elevational view thereof;  
FIG. 3 is a rear elevational view thereof;  
FIG. 4 is a left side elevational view thereof;  
FIG. 5 is a right side elevational view thereof;  
FIG. 6 is a top plan view thereof; and,  
FIG. 7 is a bottom plan view thereof.

(56) **References Cited**

**U.S. PATENT DOCUMENTS**

1,307,598	A	*	6/1919	Phillips	.....	396/544
D342,273	S	*	12/1993	Couch	.....	D16/237
5,416,544	A	*	5/1995	Stapleton	.....	396/544
D399,862	S	*	10/1998	Baliozian	.....	D16/219
5,950,017	A	*	9/1999	Reff	.....	396/544

Portions in broken lines shown in FIGS. 1–7 are for illustrative purposes only and form no part of the claimed design.

**1 Claim, 7 Drawing Sheets**

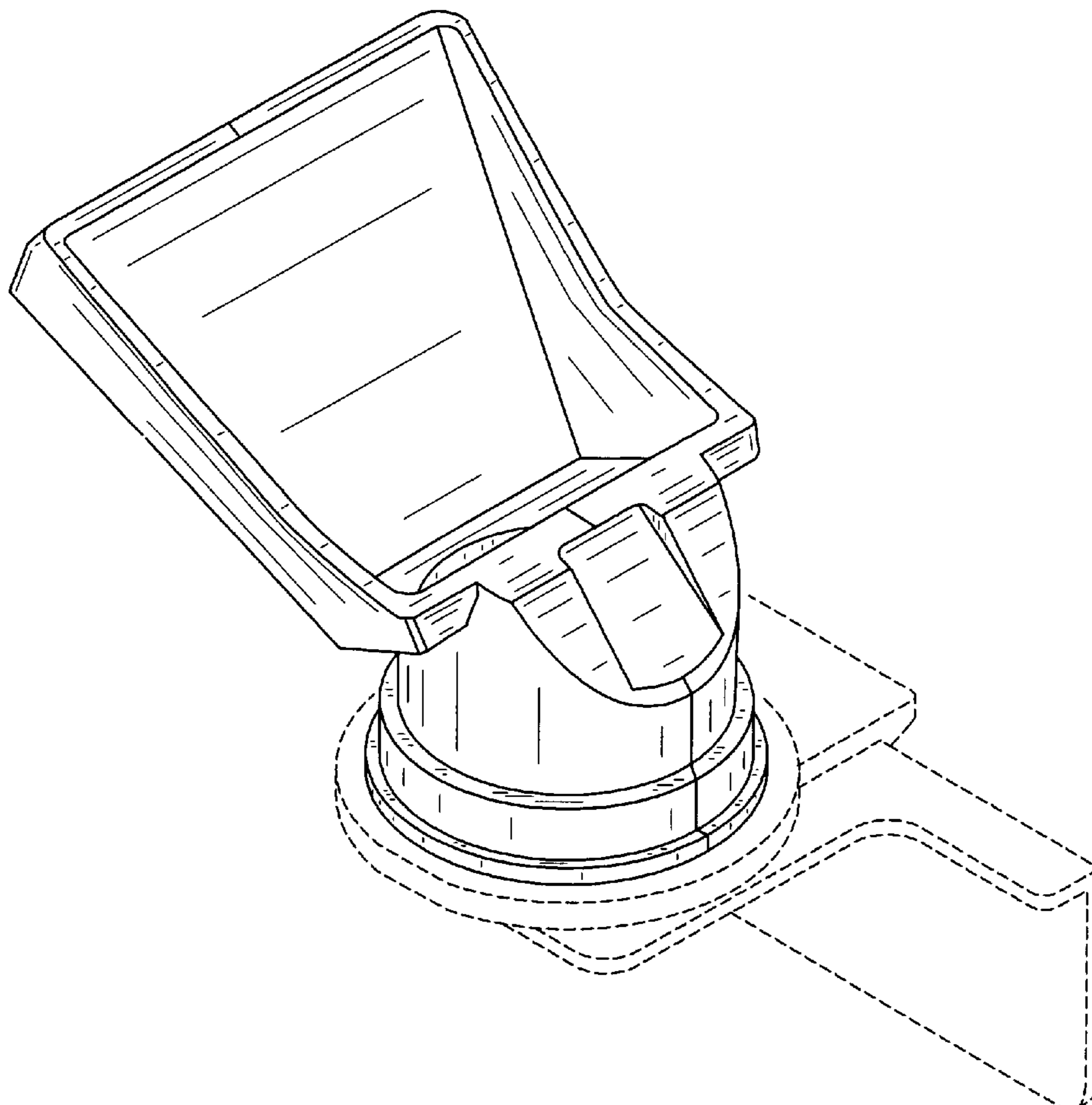


FIG. 1

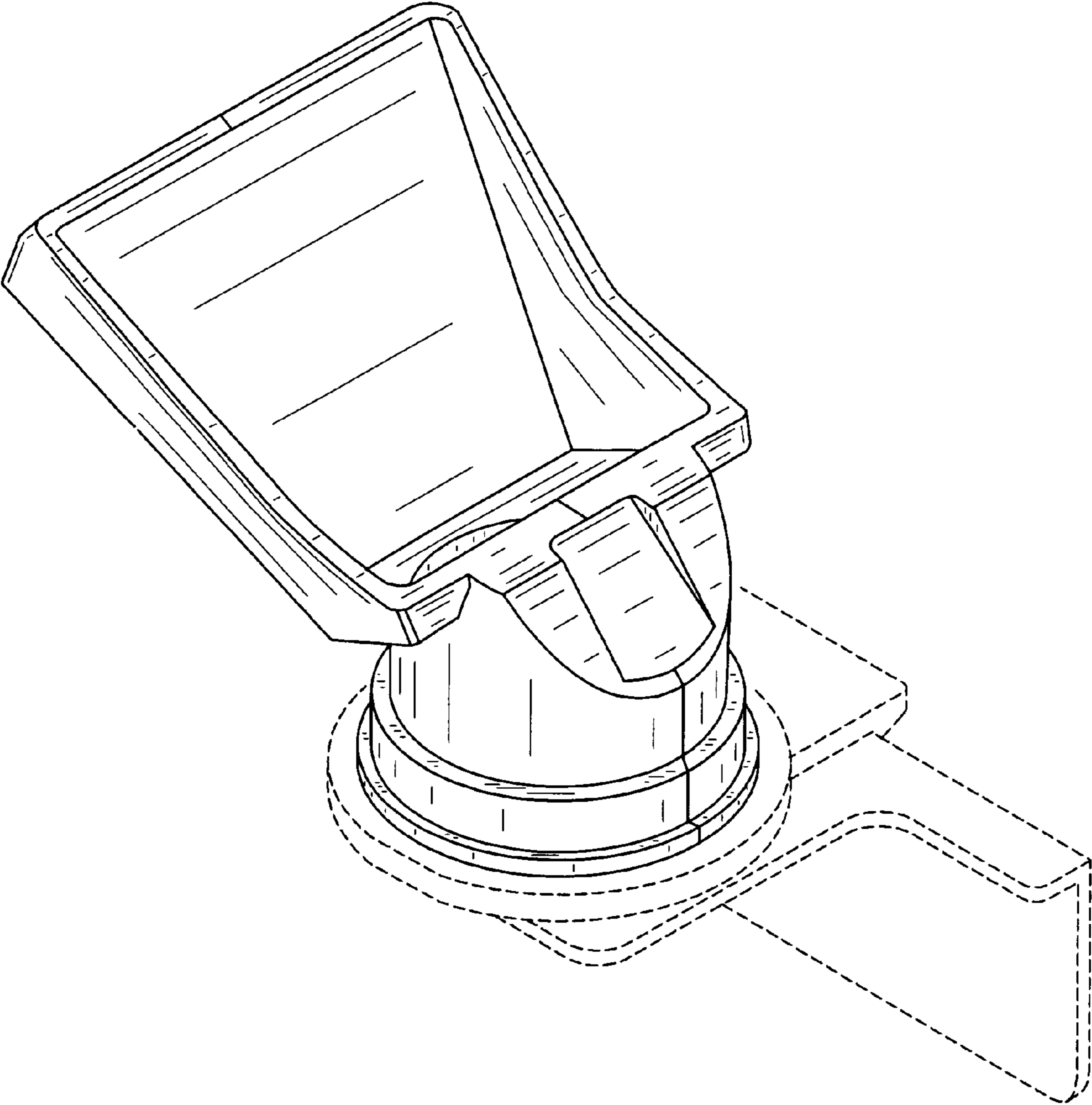


FIG. 2

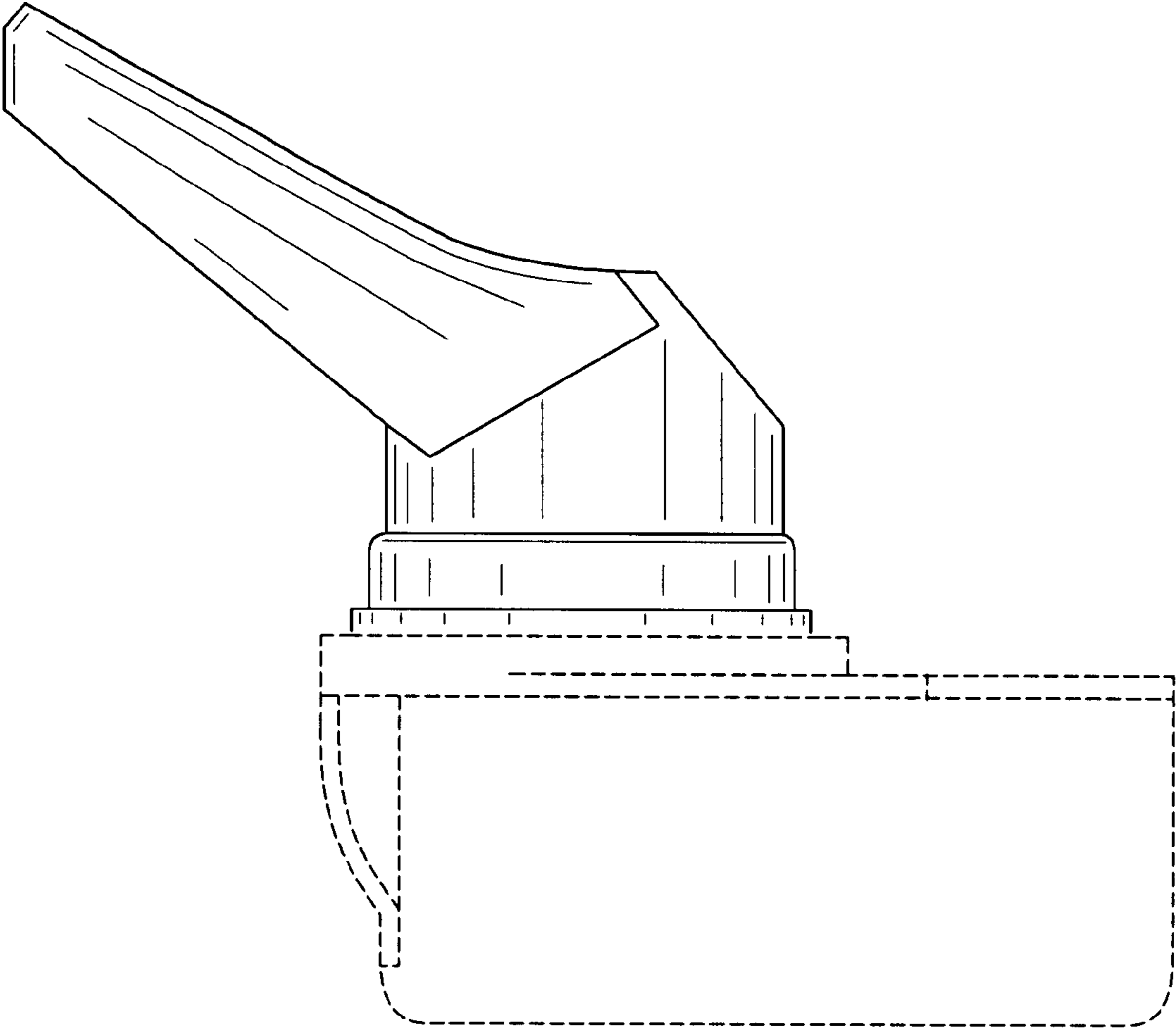
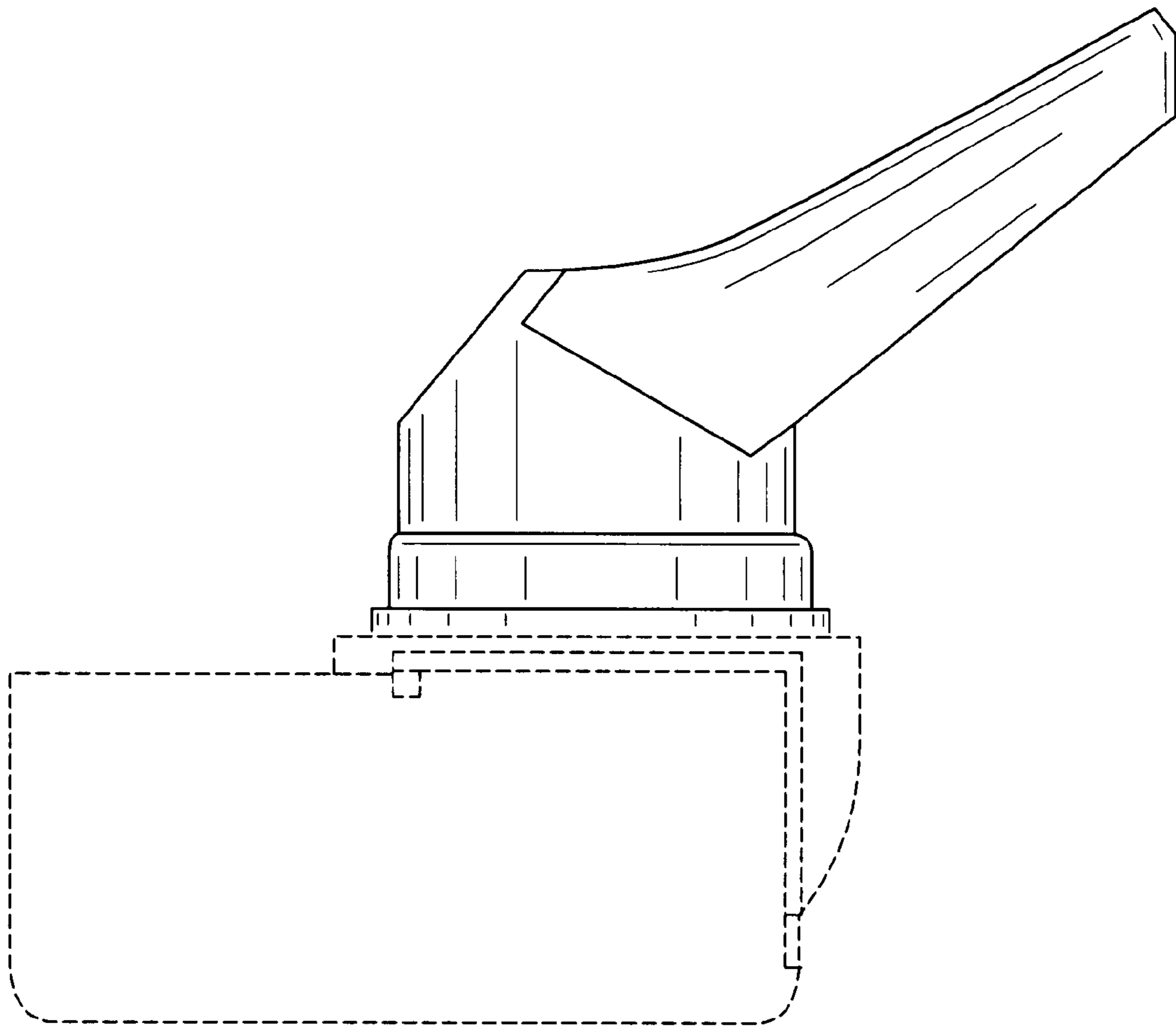


FIG. 3



# FIG. 4

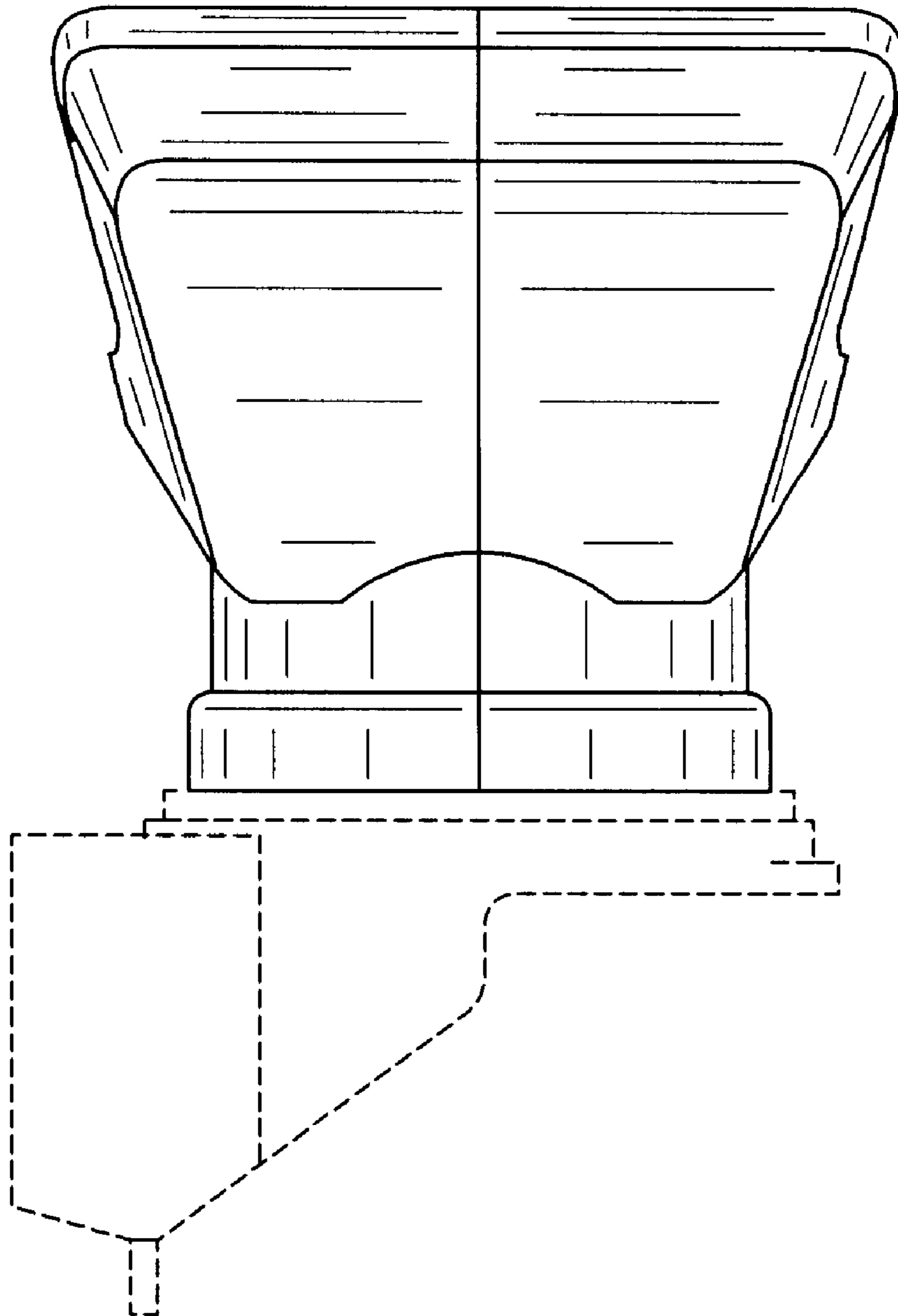


FIG. 5

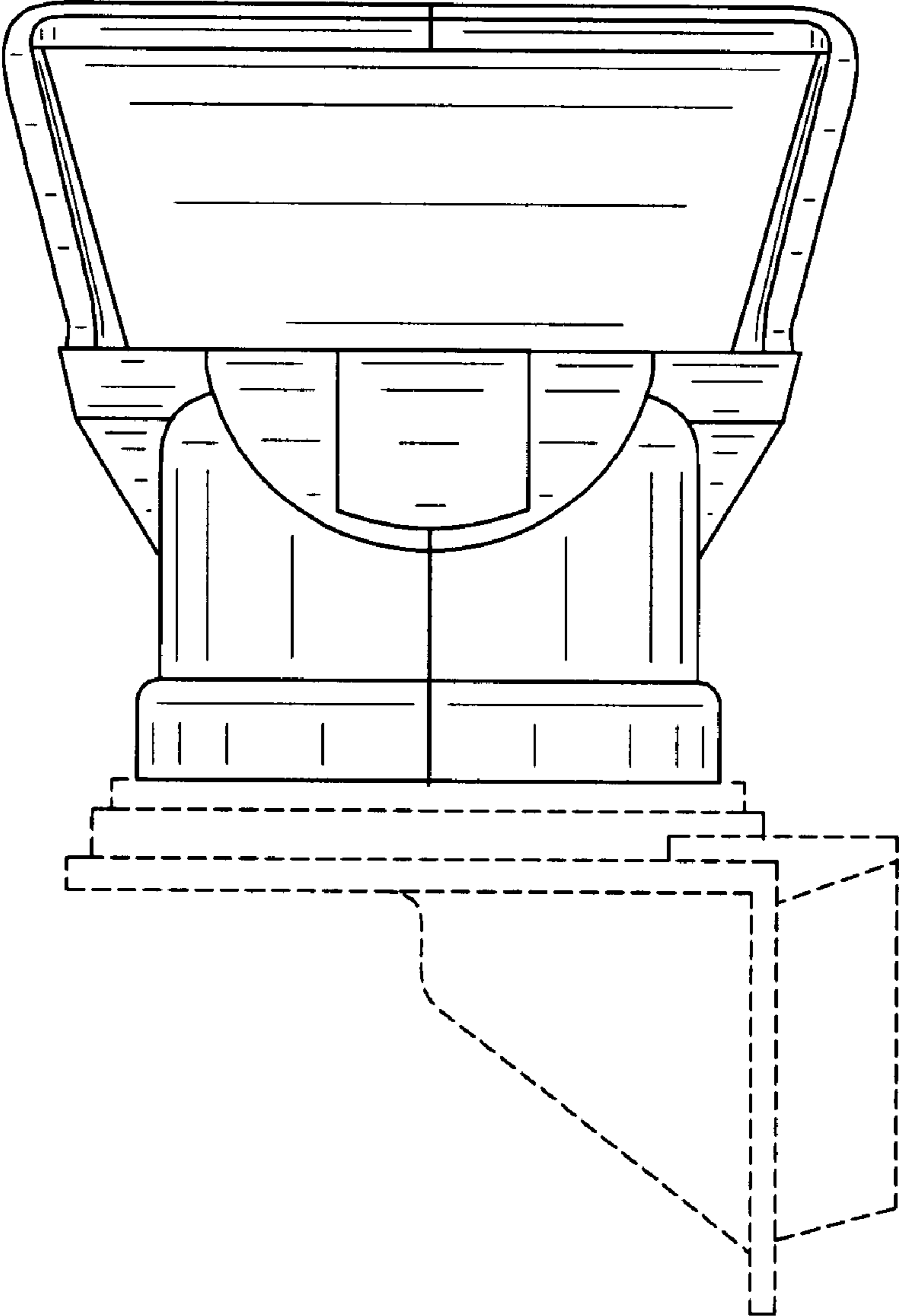


FIG. 6

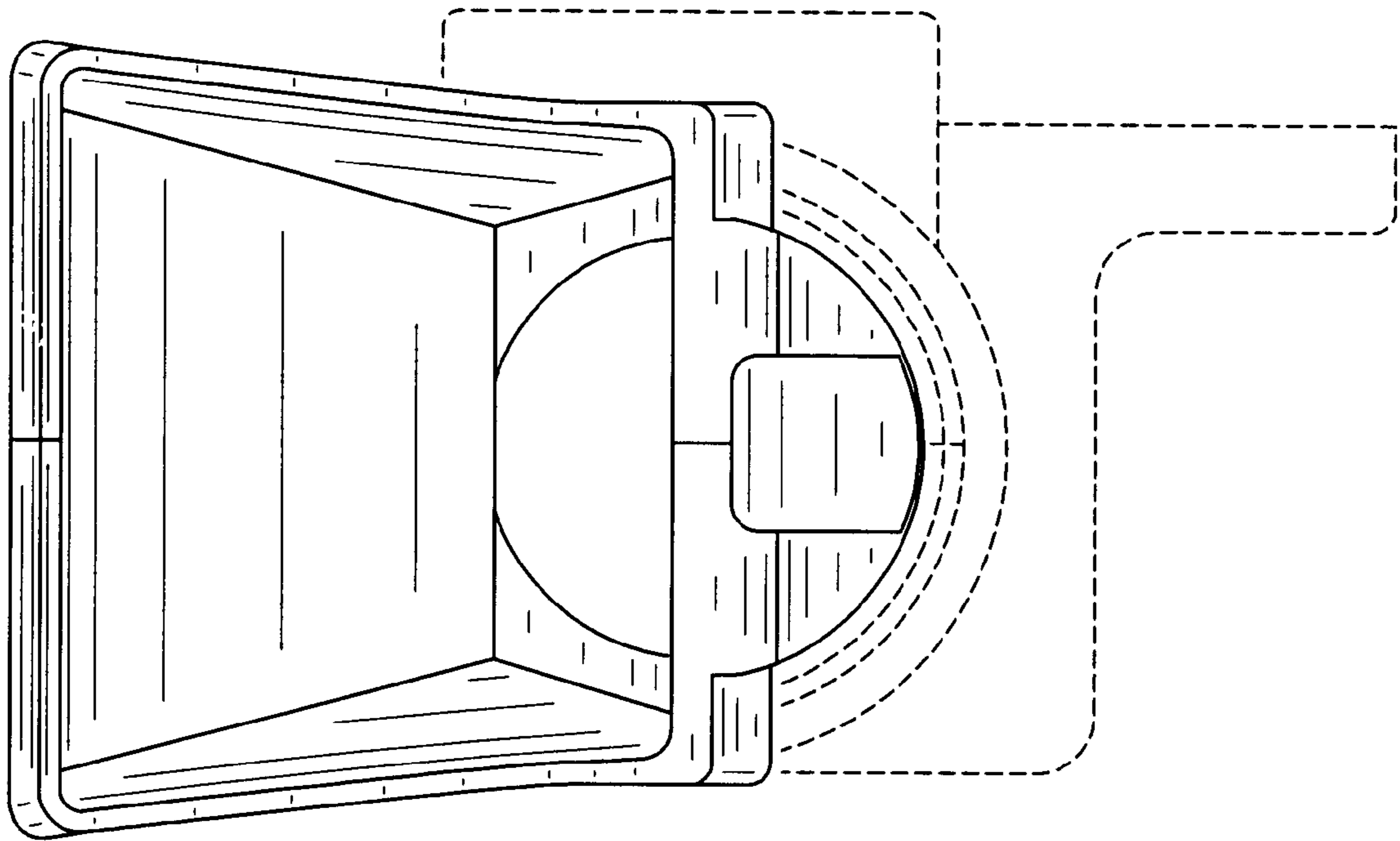


FIG. 7

