

US00D494992S1

(12) **United States Design Patent**
Seo

(10) **Patent No.:** **US D494,992 S**

(45) **Date of Patent:** **** Aug. 24, 2004**

(54) **CAMERA FOR MONITORING**

(75) **Inventor:** **Dong Yeon Seo, Seoul (KR)**

(73) **Assignee:** **Samsung Techwin Co., Ltd.,
Changwon (KR)**

(**) **Term:** **14 Years**

(21) **Appl. No.:** **29/193,846**

(22) **Filed:** **Nov. 13, 2003**

(30) **Foreign Application Priority Data**

Jun. 25, 2003 (KR) 30-2003-0017858

(51) **LOC (7) Cl.** **16-01**

(52) **U.S. Cl.** **D16/203**

(58) **Field of Search** D16/200–205,
D16/208, 219; D10/106; 348/143, 151,
373–376; 396/427, 535, 540, 541

(56) **References Cited**

U.S. PATENT DOCUMENTS

D412,924 S * 8/1999 Hiraguchi D16/219

D416,273 S * 11/1999 Yamakawa et al. D16/203

D449,630 S * 10/2001 Rak et al. D16/203

D452,696 S * 1/2002 Fenton D16/203

D473,888 S * 4/2003 Jones et al. D16/203

6,678,001 B1 * 1/2004 Elberbaum 348/373

* cited by examiner

Primary Examiner—Adir Aronovich

(74) *Attorney, Agent, or Firm*—Gardner Carton & Douglas
LLP

(57) **CLAIM**

I claim the ornamental design for a camera for monitoring,
as shown and described.

DESCRIPTION

FIG. 1 is a perspective view of the design for a camera for
monitoring;

FIG. 2 is a front view of the design of FIG. 1;

FIG. 3 is a rear elevational view of the design of FIG. 1;

FIG. 4 is a left side view of the design of FIG. 1;

FIG. 5 is a right side view of the design of FIG. 1;

FIG. 6 is a top view of the design of FIG. 1; and,

FIG. 7 is a bottom view of the design of FIG. 1.

1 Claim, 4 Drawing Sheets

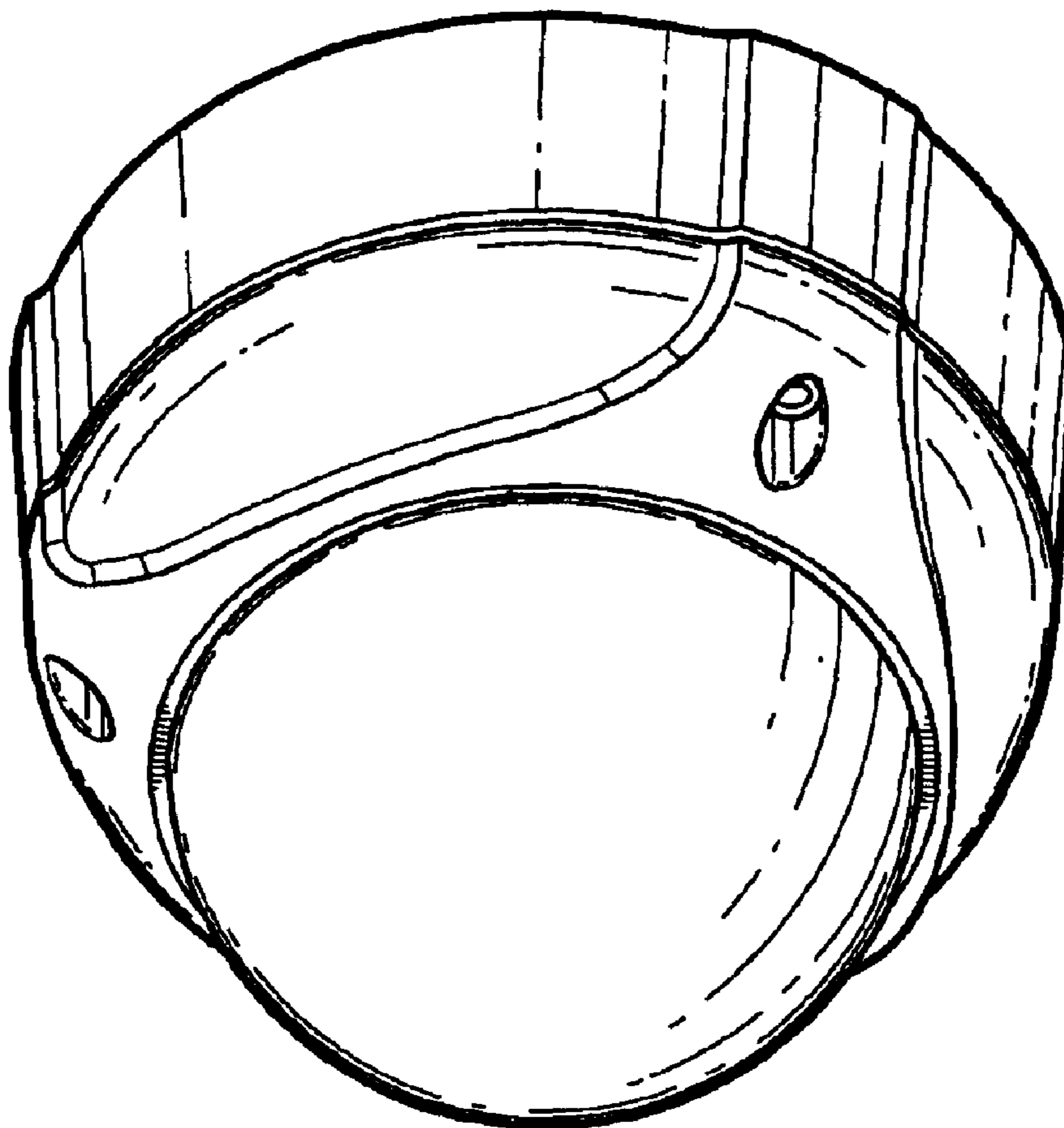


FIG.1

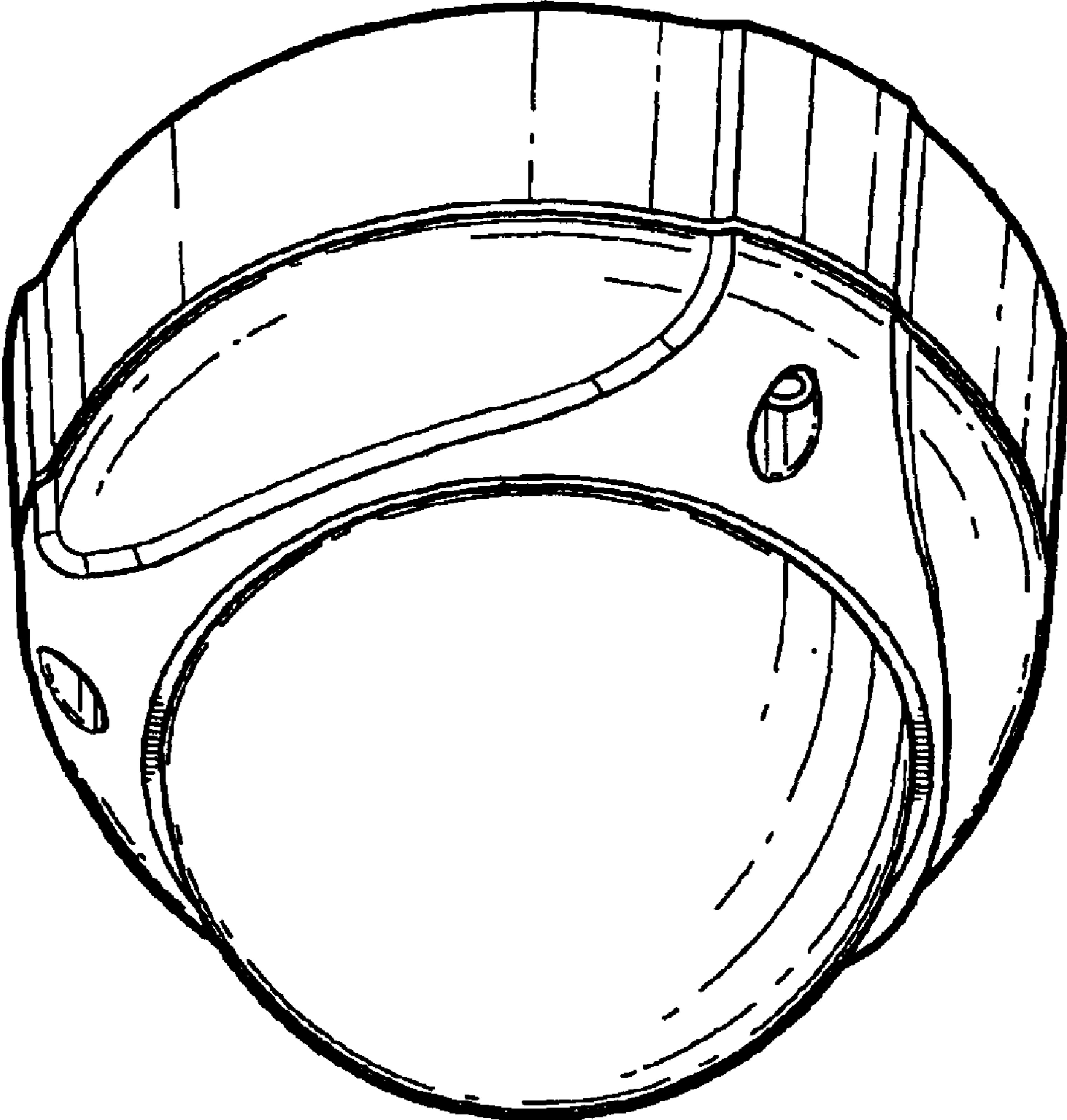


FIG.2

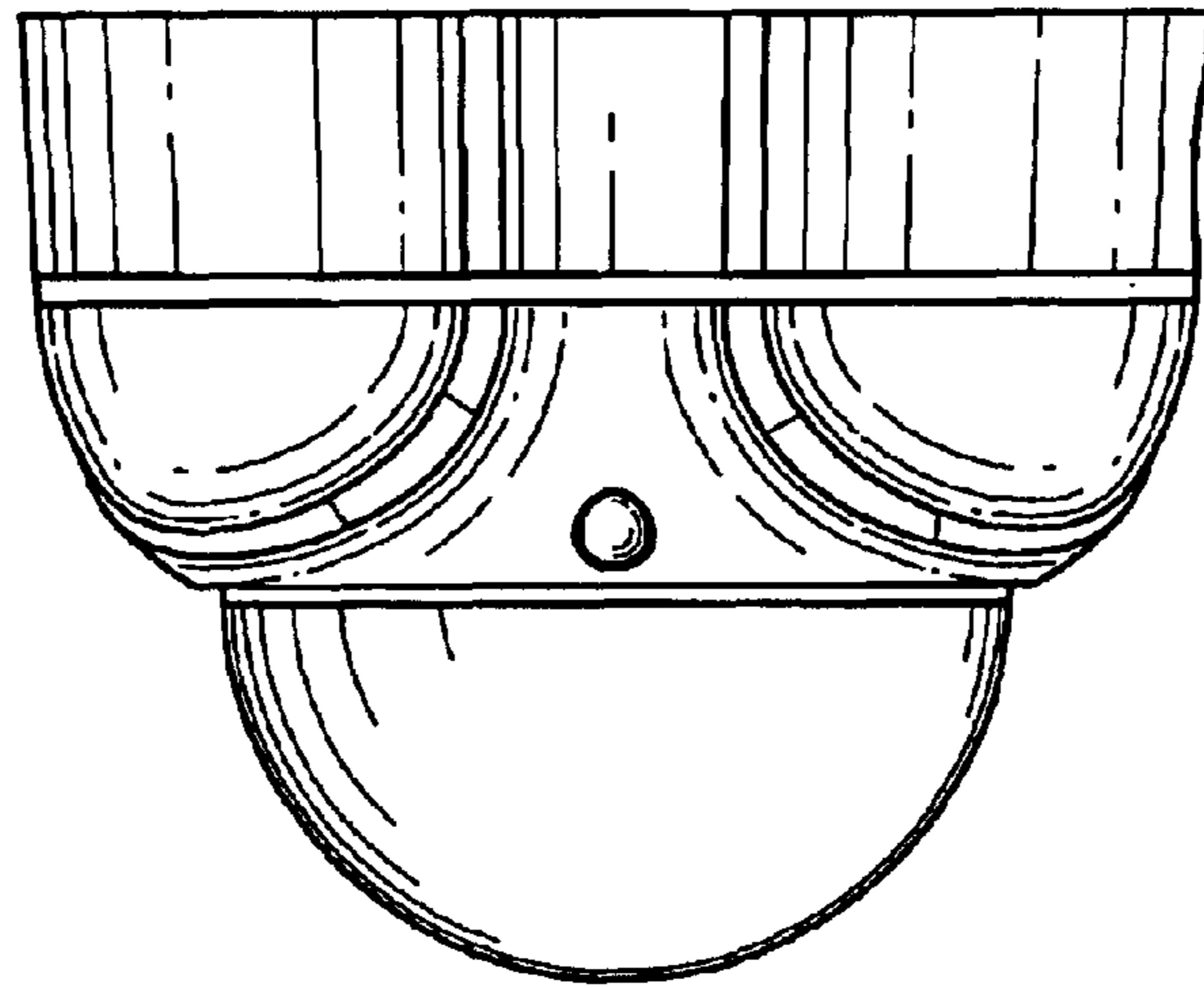


FIG.3

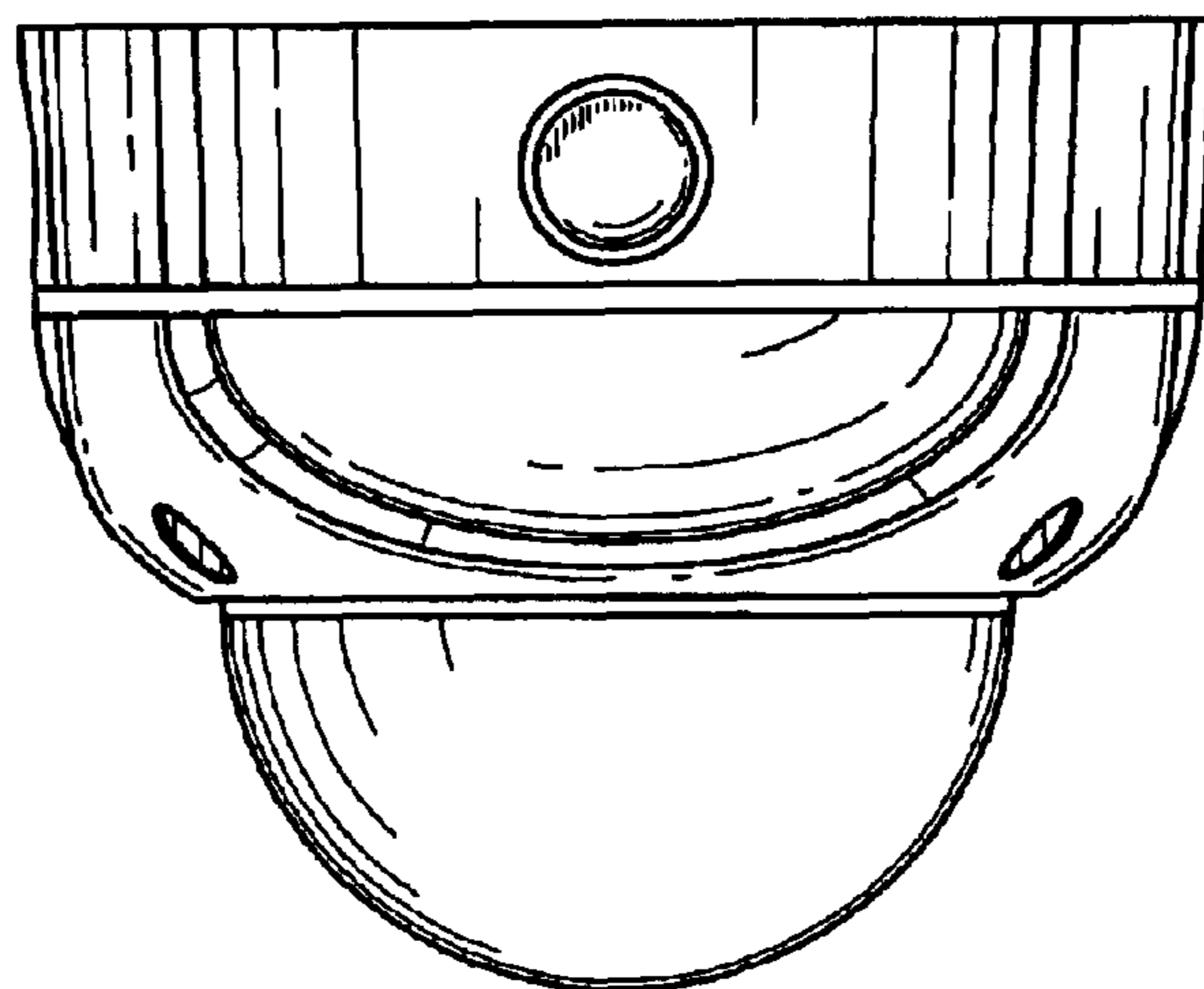


FIG.4

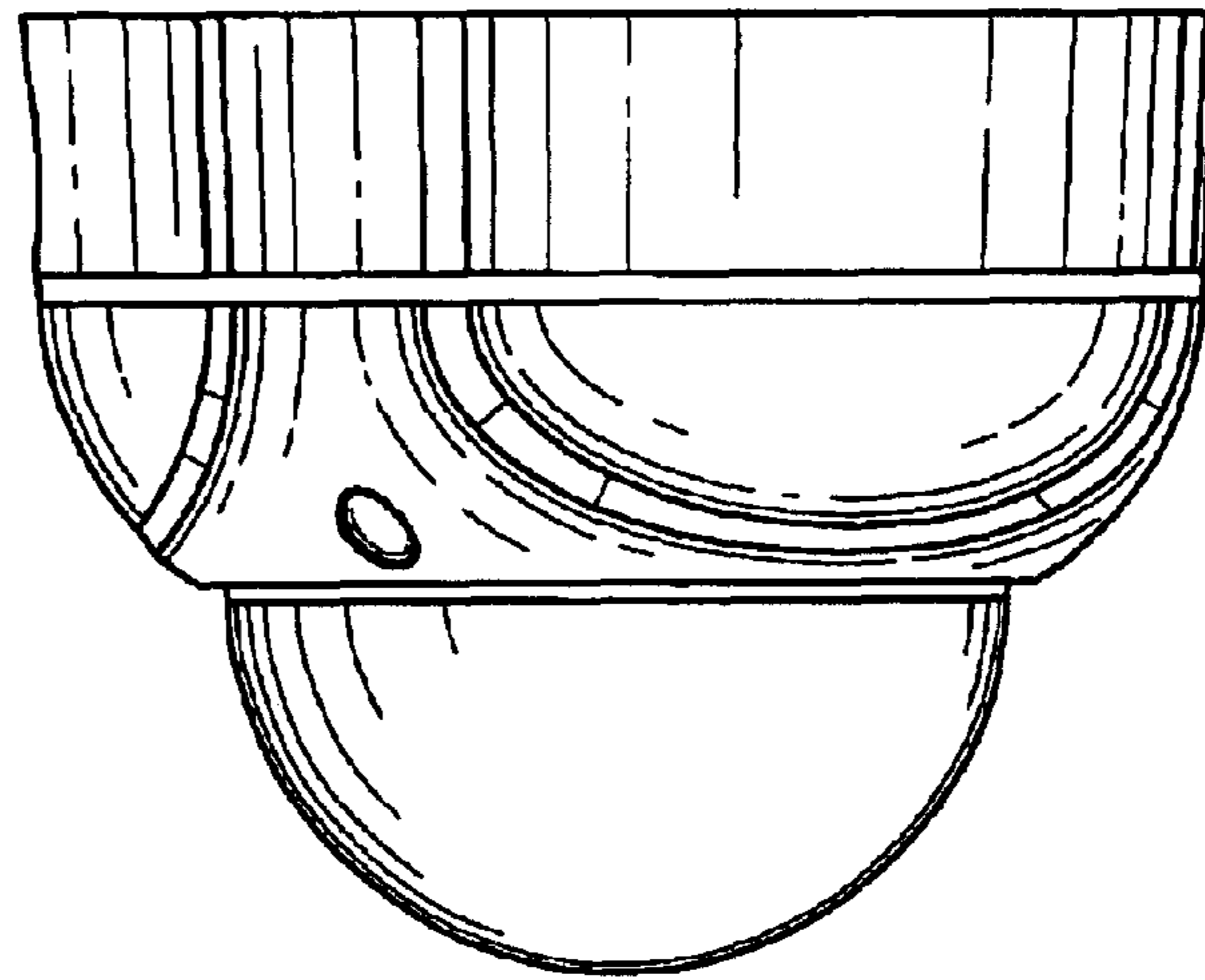


FIG.5

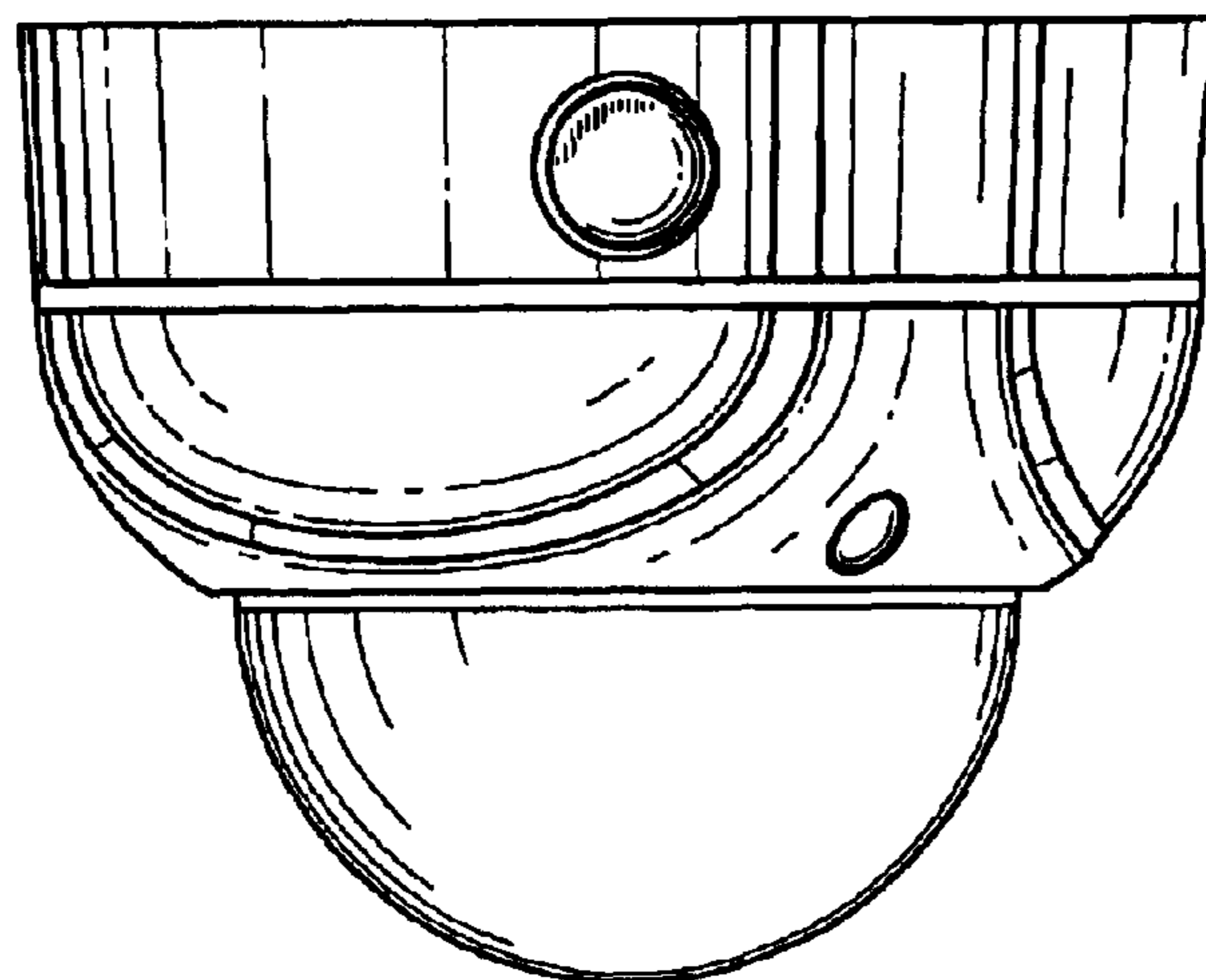


FIG.6

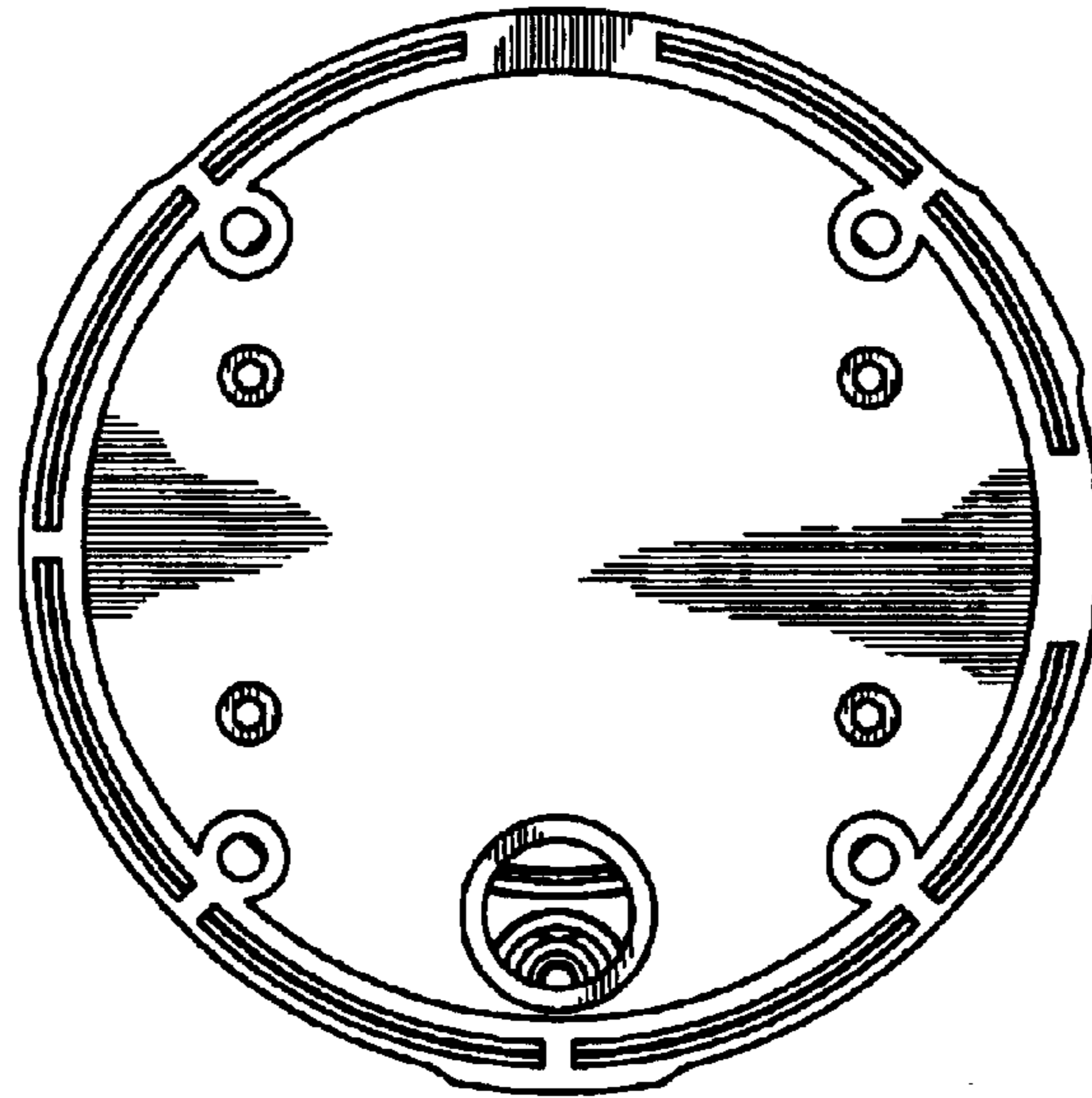


FIG.7

