



US00D494991S1

(12) **United States Design Patent**  
**Yatabe**

(10) **Patent No.:** **US D494,991 S**

(45) **Date of Patent:** **\*\* Aug. 24, 2004**

(54) **DIGITAL CAMERA**

(75) **Inventor:** **Takashi Yatabe, Higashimurayama (JP)**

(73) **Assignee:** **Casio Keisanki Kabushiki Kaisha, Tokyo (JP)**

(\*\*) **Term:** **14 Years**

(21) **Appl. No.:** **29/196,198**

(22) **Filed:** **Dec. 22, 2003**

(51) **LOC (7) Cl.** ..... **16-01**

(52) **U.S. Cl.** ..... **D16/202**

(58) **Field of Search** ..... **D16/200–206, D16/208, 218; 348/373–376; 358/906, 909.1, 535–541**

(56) **References Cited**

**U.S. PATENT DOCUMENTS**

6,181,883	B1	*	1/2001	Oswal	.....	396/429
D456,435	S	*	4/2002	Hisatomi et al.	.....	D16/202
D474,489	S	*	5/2003	Kawashima	.....	D16/203
D484,902	S	*	1/2004	Baba	.....	D16/202

2002/0176016 A1 \* 11/2002 Misawa et al. .... 348/373

\* cited by examiner

*Primary Examiner*—Adir Aronovich

(74) *Attorney, Agent, or Firm*—Frishauf, Holtz, Goodman & Chick, P.C.

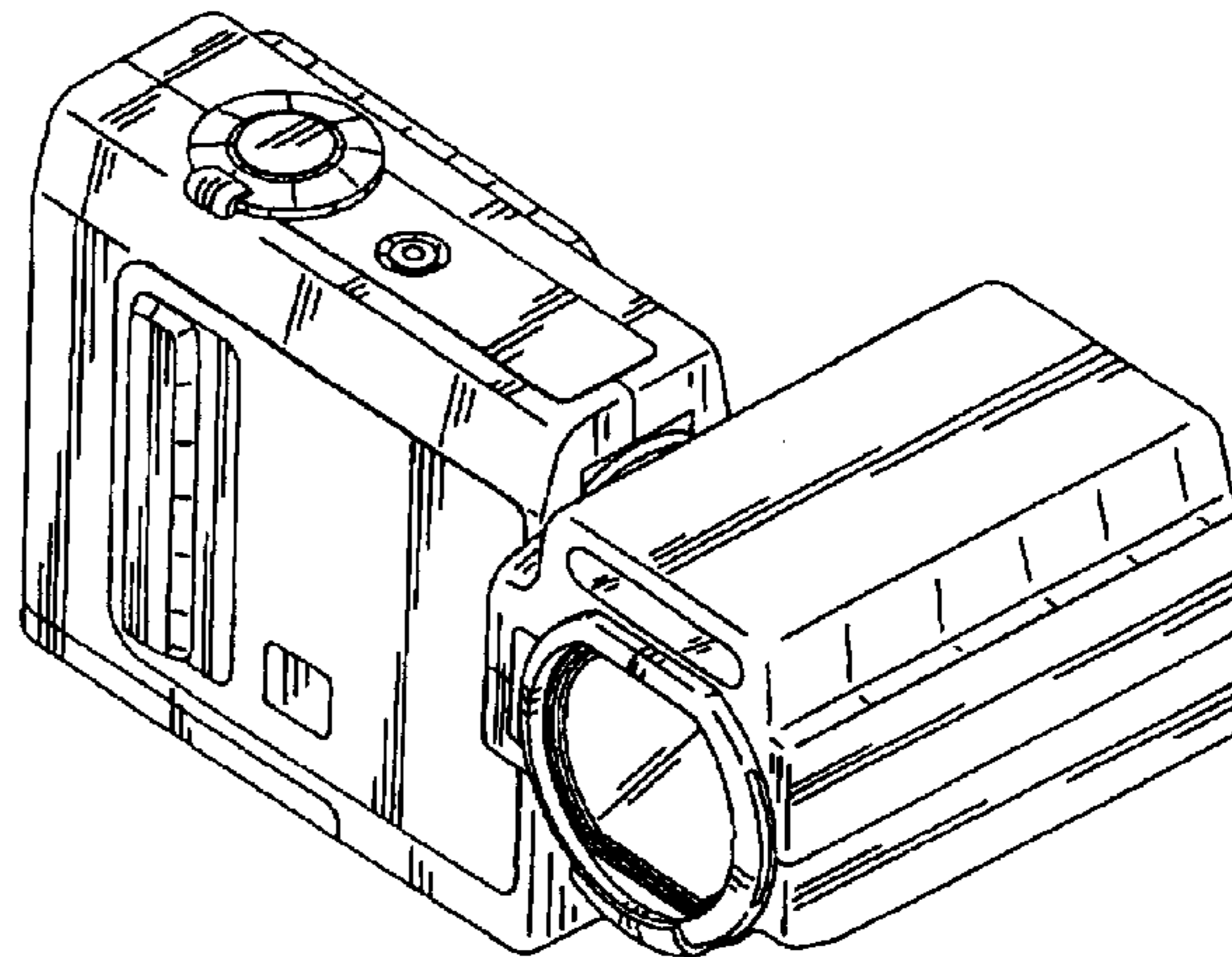
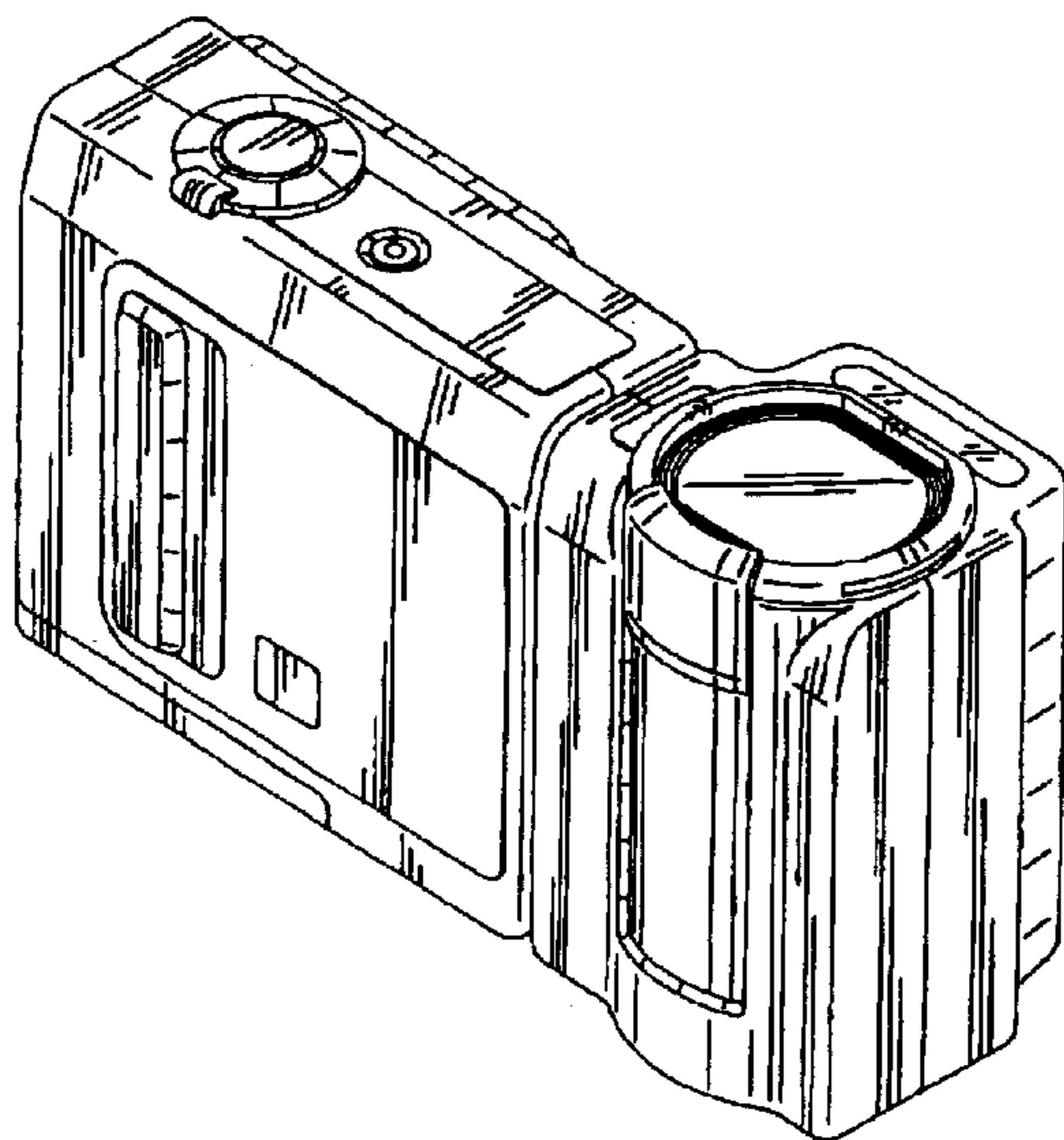
(57) **CLAIM**

The ornamental design for a digital camera, as shown and described.

**DESCRIPTION**

FIG. 1 is a reduced top, front, right side perspective view of a digital camera showing my new design; FIG. 2 is a front elevational view thereof; FIG. 3 is a rear elevational view thereof; FIG. 4 is a left side view thereof; FIG. 5 is a right side view thereof; FIG. 6 is a top plan view thereof; FIG. 7 is a bottom plan view thereof; and, FIG. 8 is a reduced top, front, right side perspective view thereof showing the state where a camera part is rotated.

**1 Claim, 4 Drawing Sheets**



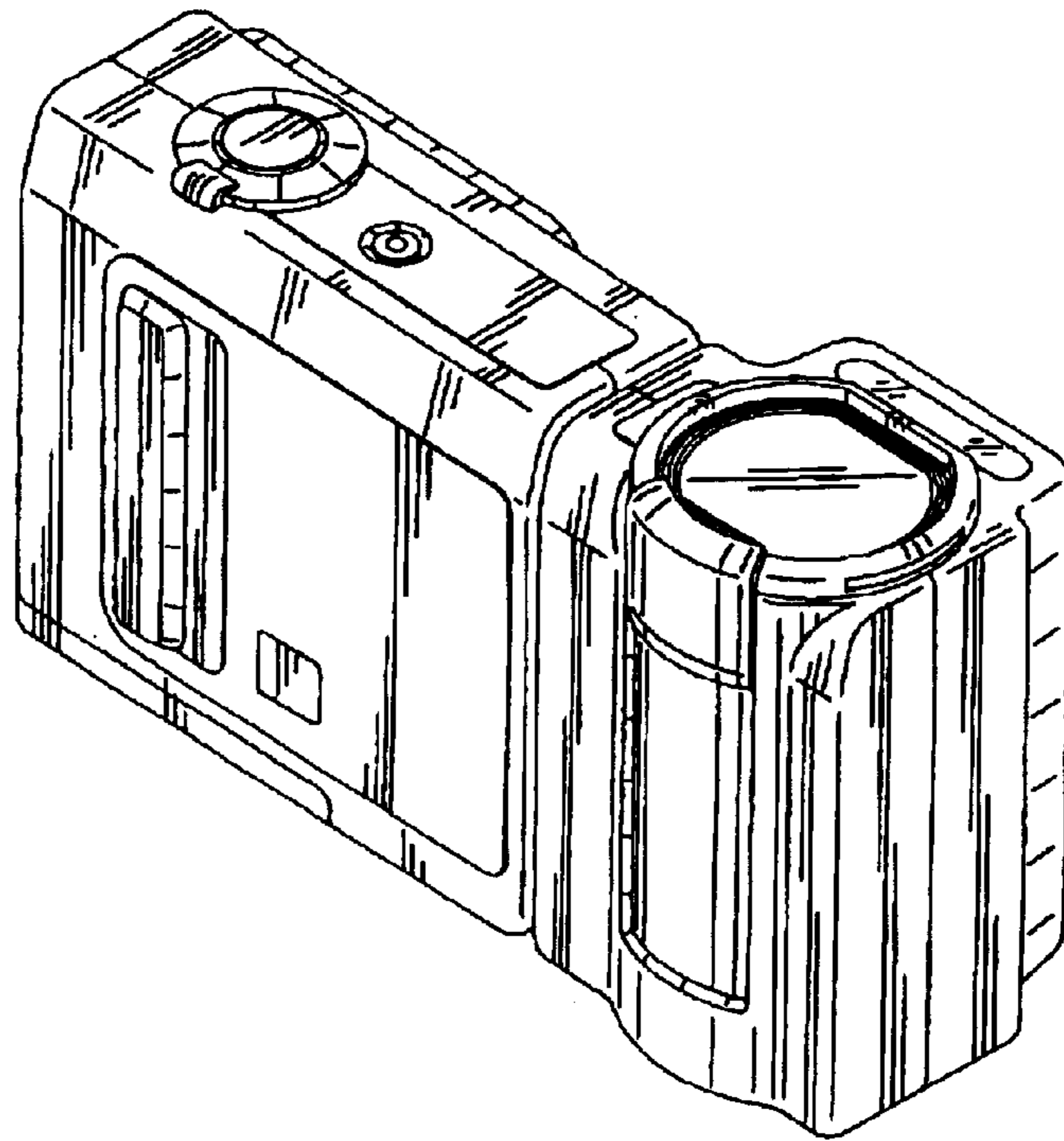


FIG. 1

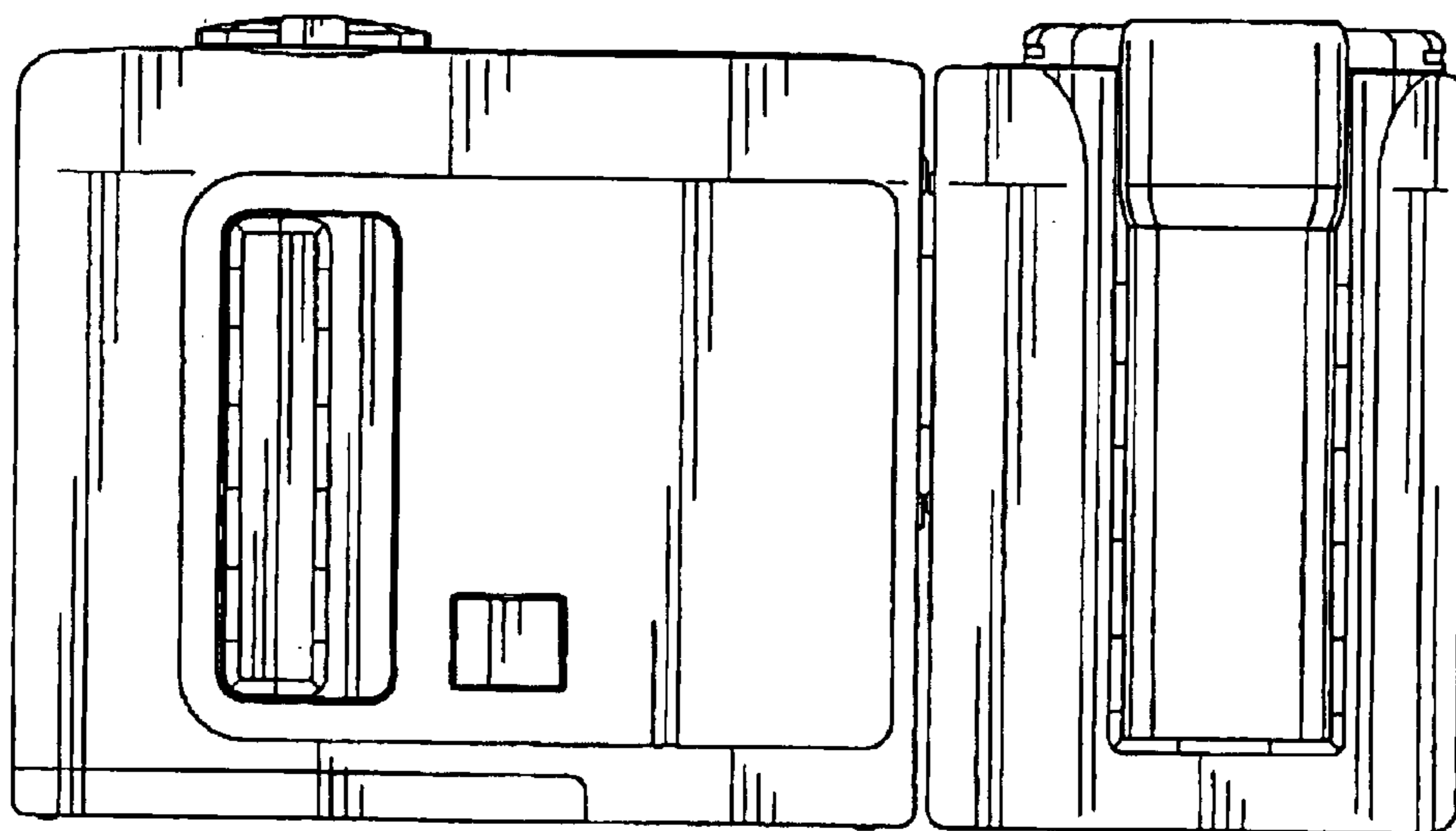
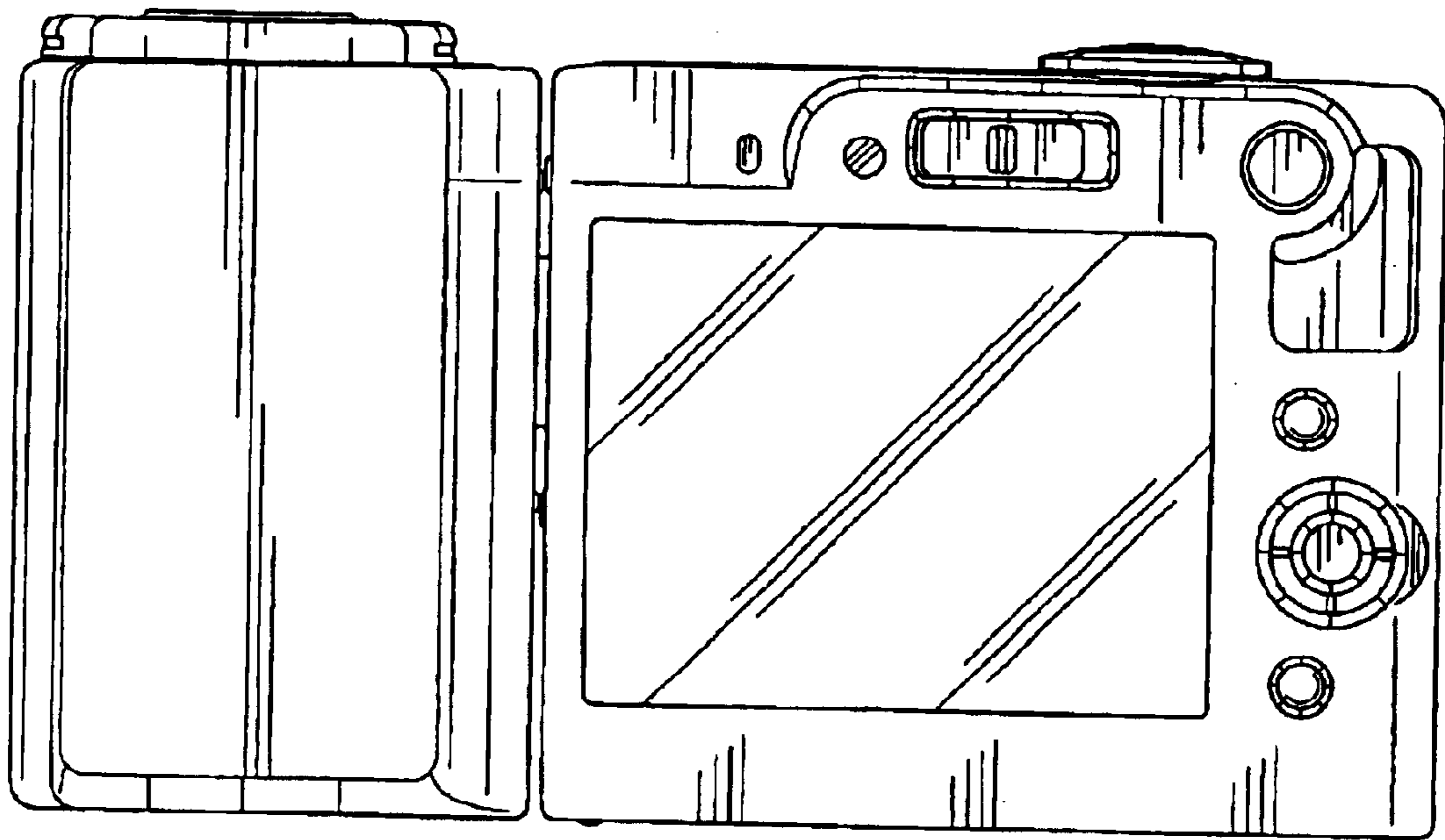
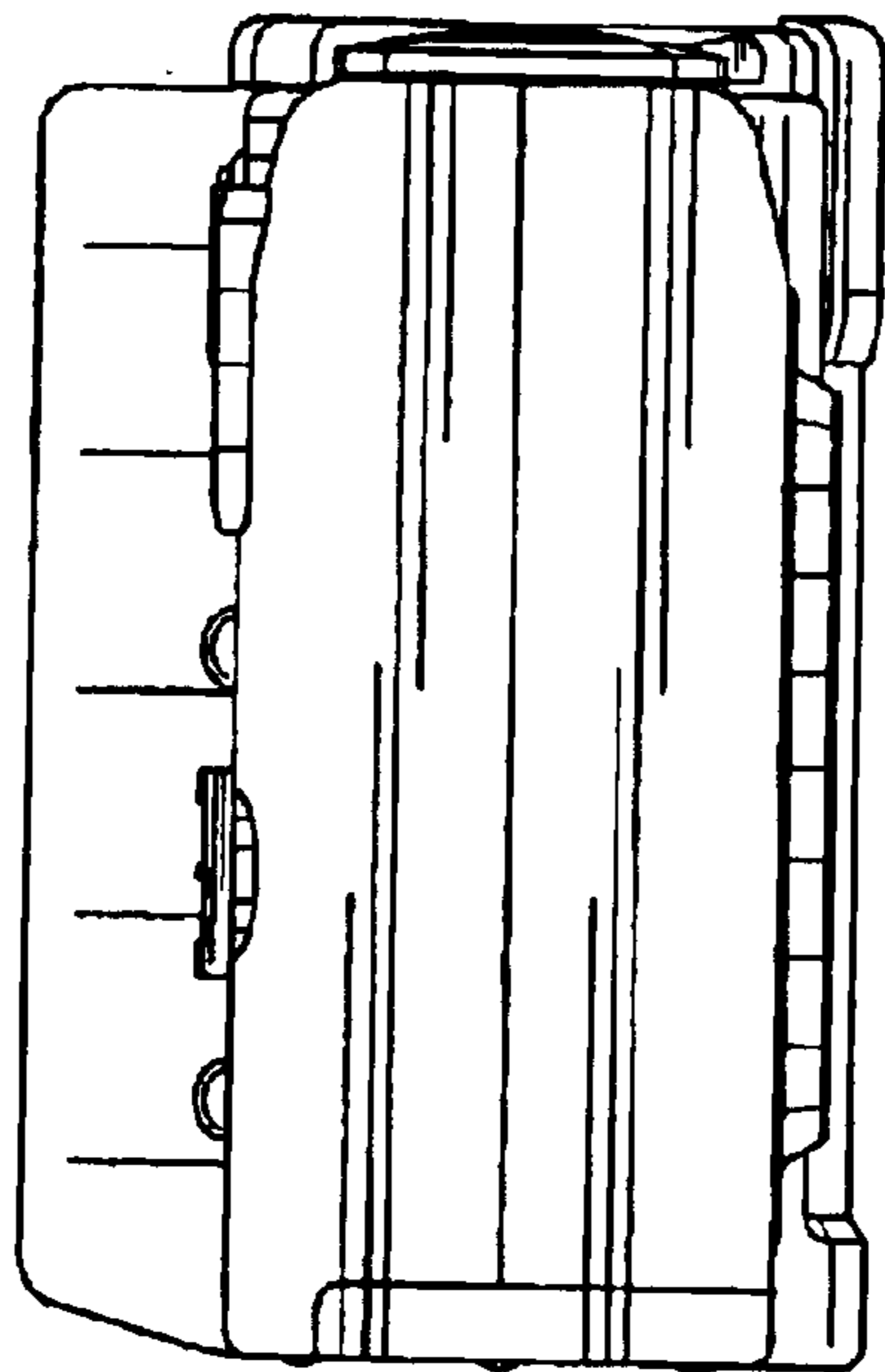


FIG. 2



**FIG. 3**



**FIG. 4**

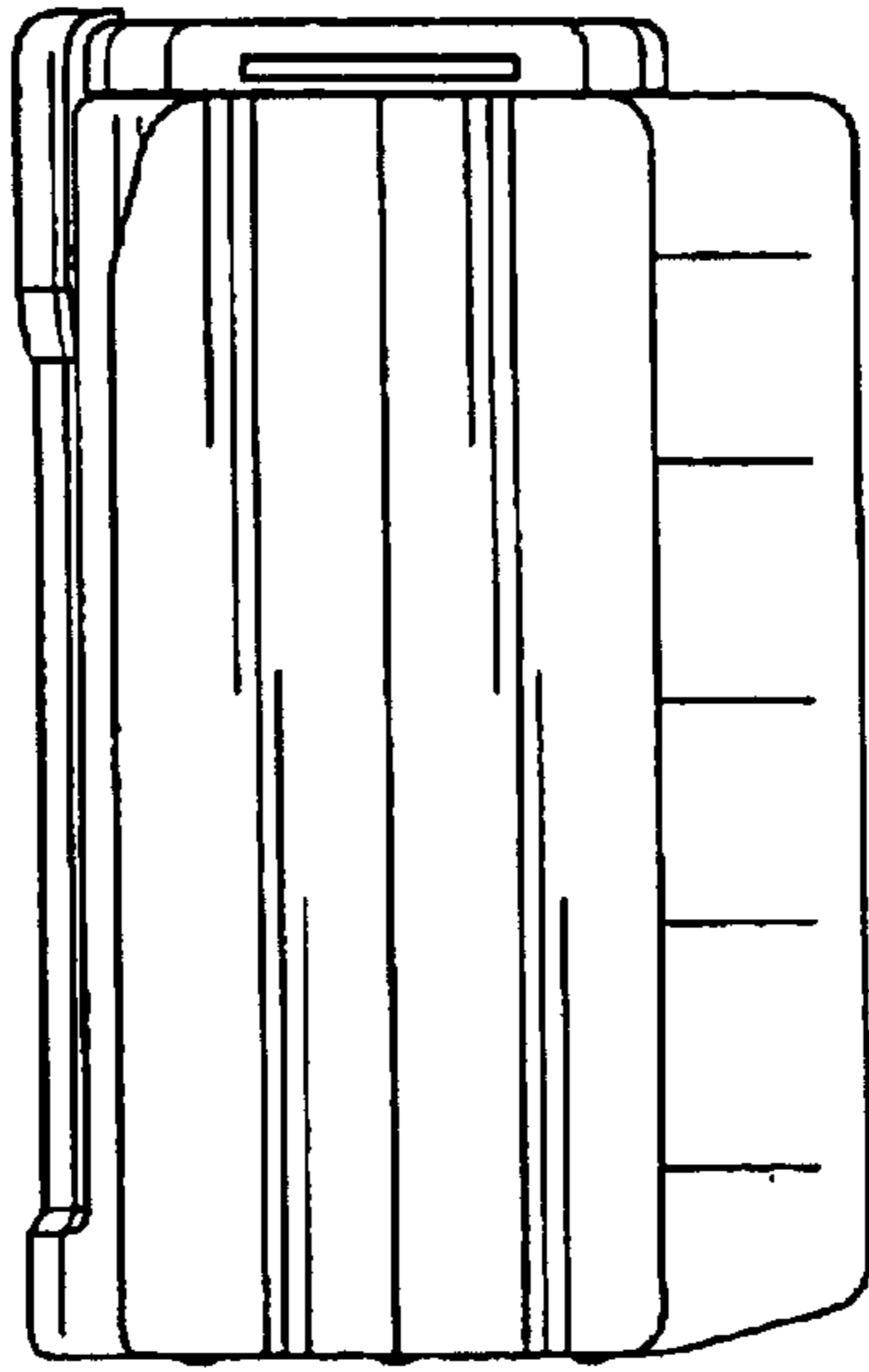


FIG. 5

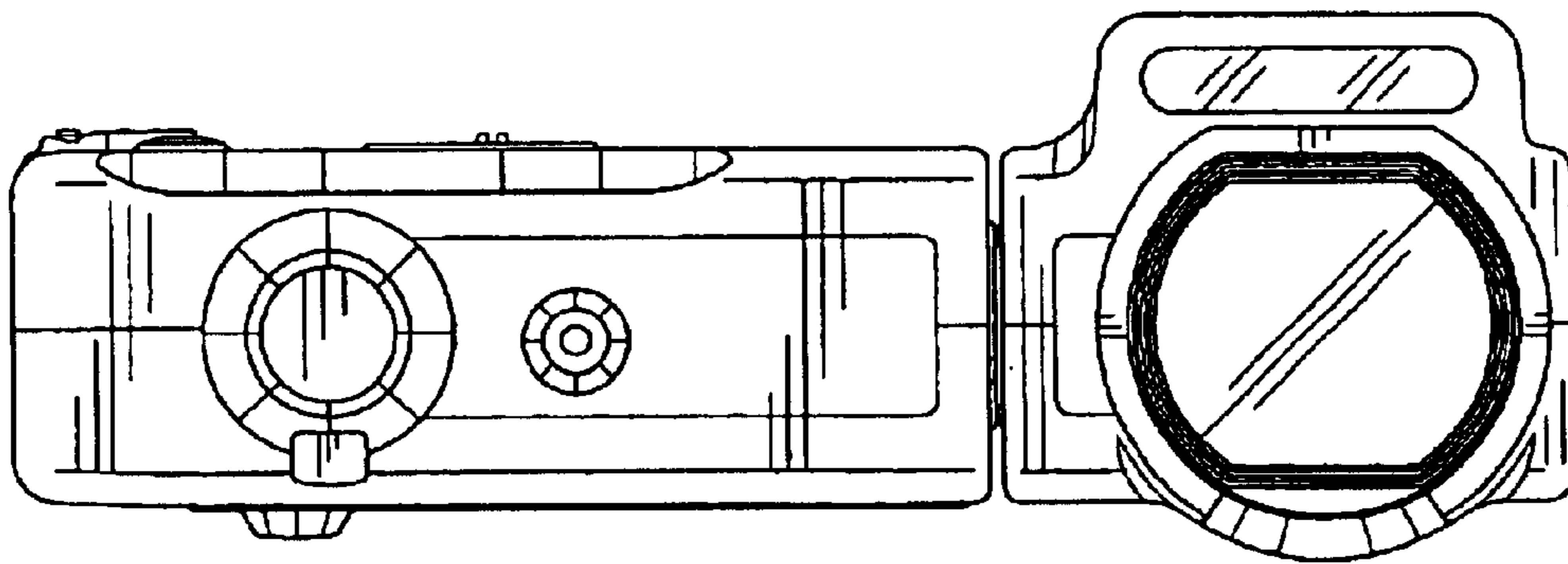


FIG. 6

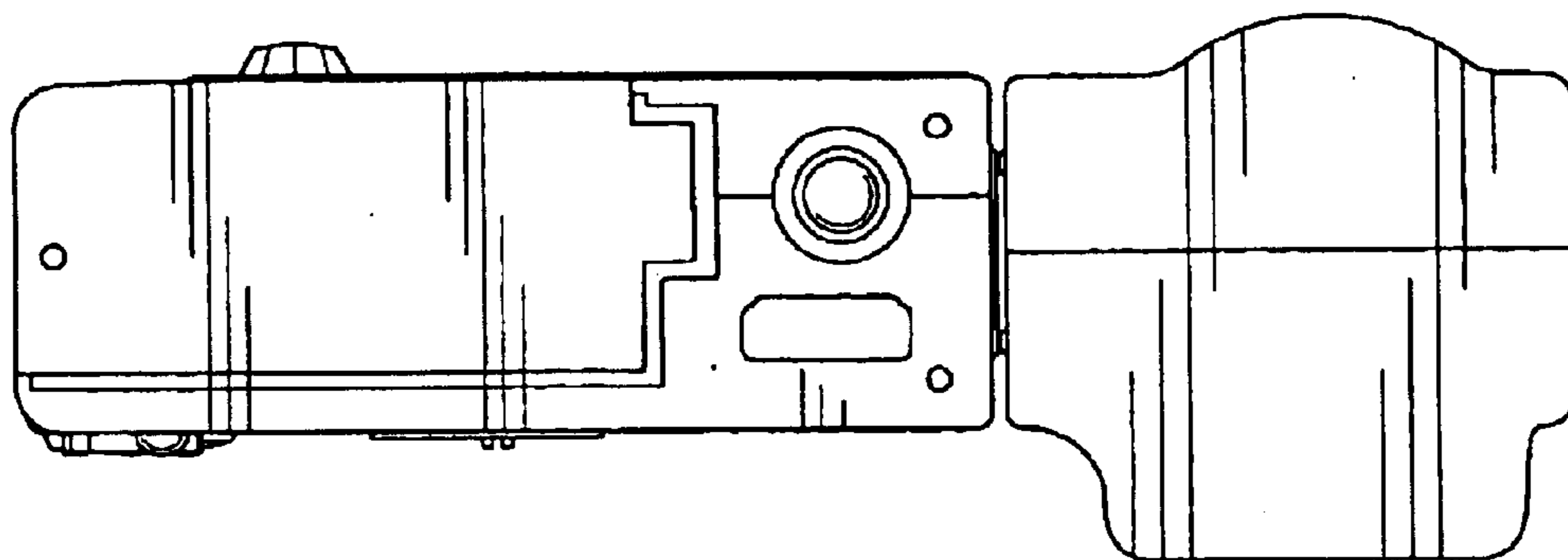
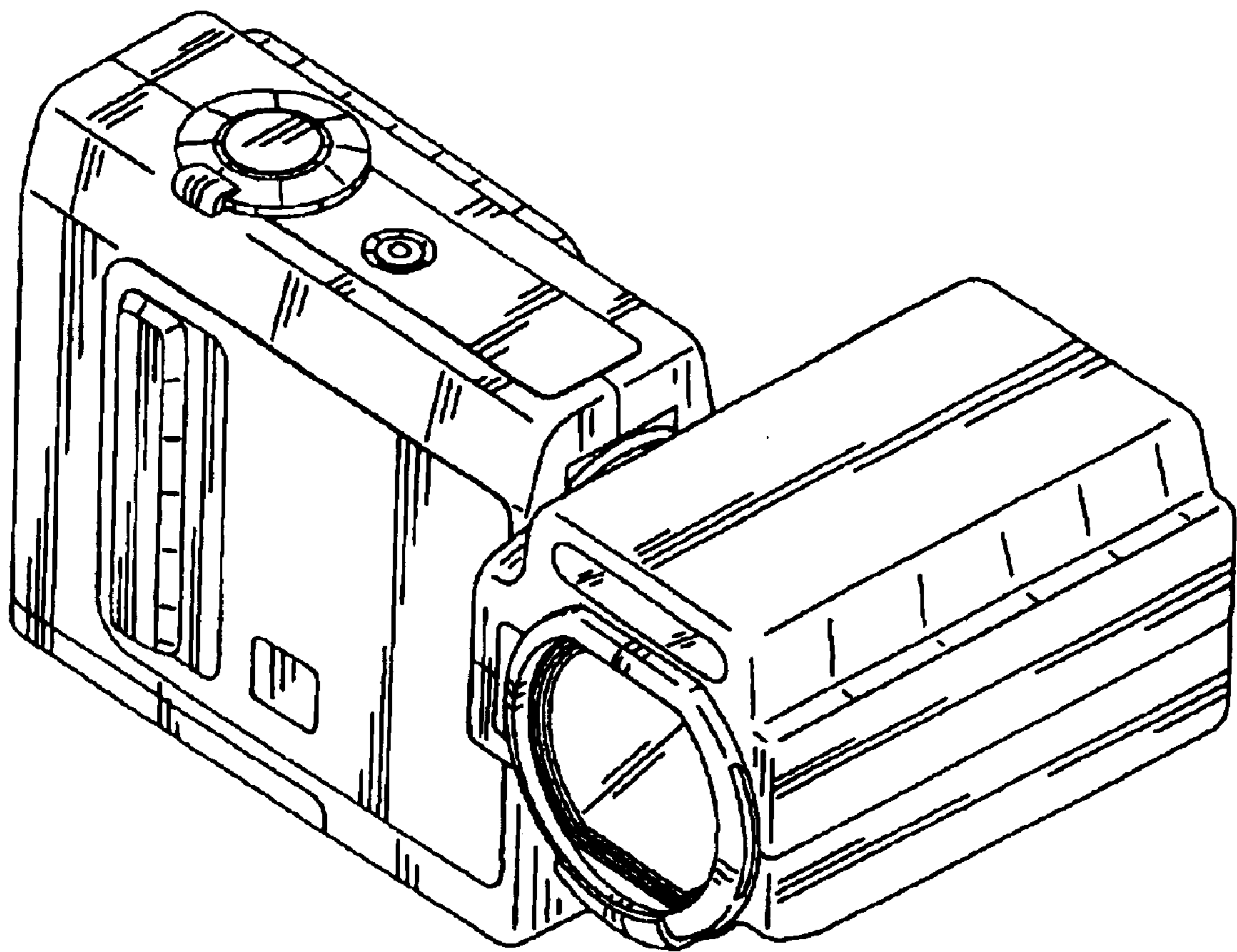


FIG. 7



**FIG. 8**