

US00D494988S1

(12) **United States Design Patent** (10) **Patent No.:** **US D494,988 S**  
**Tanaka et al.** (45) **Date of Patent:** **\*\* Aug. 24, 2004**

(54) **ELECTRIC COMPONENT PLACEMENT MACHINE**

6,591,493 B1 \* 7/2003 Yoshida et al. .... 29/832  
 6,594,887 B1 \* 7/2003 Okuda et al. .... 29/739  
 6,658,313 B1 \* 12/2003 Lee ..... 29/832

(75) Inventors: **Yasuhiko Tanaka**, Fukuoku (JP);  
**Naoyuki Kitamura**, Yamanashi (JP);  
**Nobuhiro Nakai**, Takatsuki (JP);  
**Hiroshi Haji**, Chikushino (JP); **Maiko Matsuo**, Dazaifu (JP)

**FOREIGN PATENT DOCUMENTS**

JP	D1019314	8/1998
JP	D1036769	4/1999
JP	D1038226	5/1999
JP	D1041930	6/1999

(73) Assignee: **Matsushita Electric Industrial Co., Ltd.**, Osaka (JP)

\* cited by examiner

(\*\*) Term: **14 Years**

*Primary Examiner*—Antoine D. Davis

(21) Appl. No.: **29/187,529**

(74) *Attorney, Agent, or Firm*—Brinks Hofer Gilson & Lione

(22) Filed: **Jul. 31, 2003**

(57) **CLAIM**

(30) **Foreign Application Priority Data**

The ornamental design for an electric component placement machine, as shown and described.

Mar. 13, 2003 (JP) ..... 2003-006582

**DESCRIPTION**

(51) **LOC (7) Cl.** ..... **15-99**

FIG. 1 is a top perspective view of an electric component placement machine of the present invention;

(52) **U.S. Cl.** ..... **D15/199; D15/122**

FIG. 2 is a front view thereof;

(58) **Field of Search** ..... **D15/122, 199;**

FIG. 3 is a rear view thereof;

438/106; 29/833, 759, 836, 739-741, 832, 721

FIG. 4 is a first side view thereof;

FIG. 5 is a second side view thereof;

(56) **References Cited**

**U.S. PATENT DOCUMENTS**

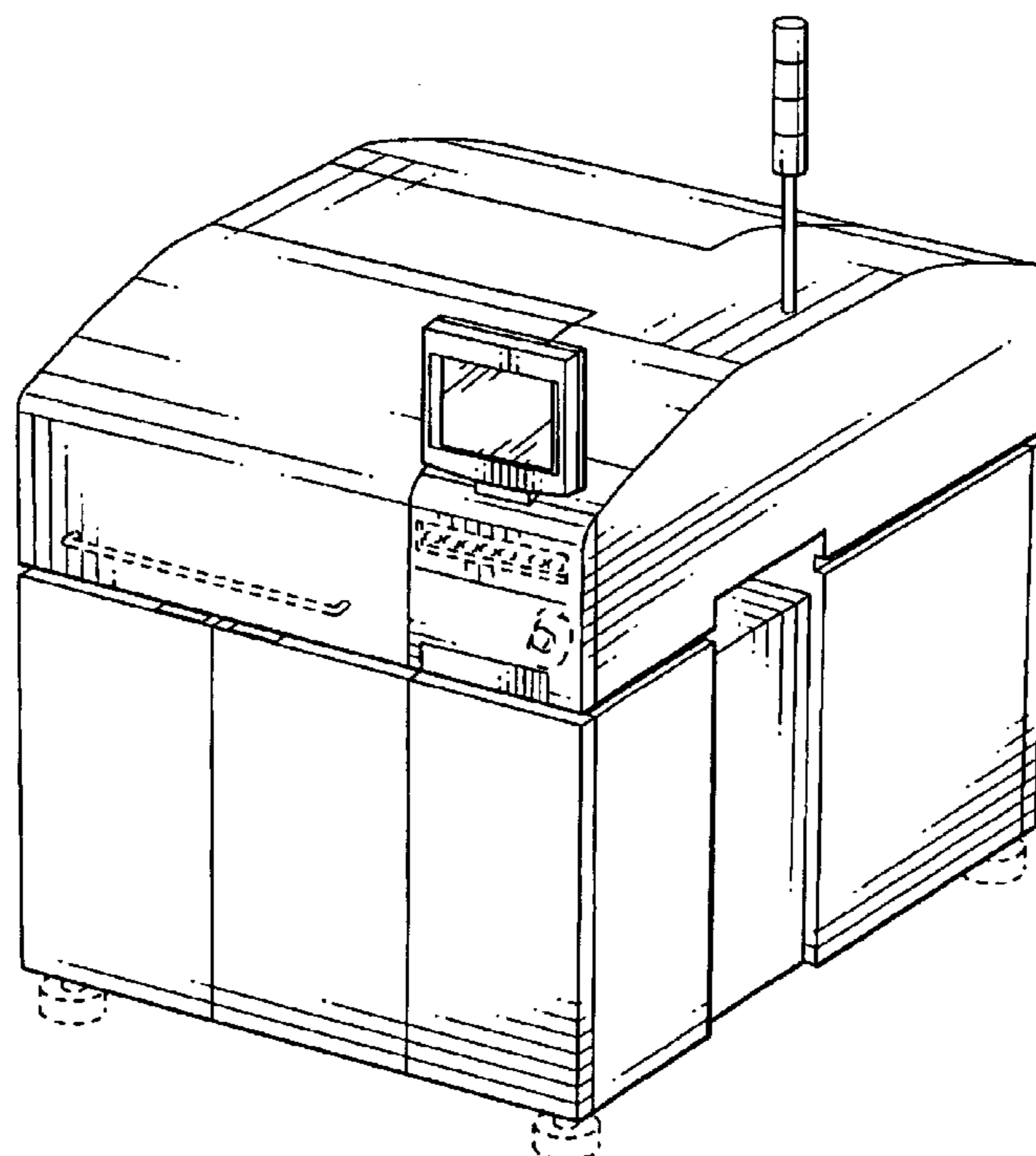
6,085,408 A *	7/2000	Watanabe	29/720
6,178,626 B1 *	1/2001	Hada et al.	29/833
6,240,628 B1 *	6/2001	Yoshida et al.	29/740
6,256,876 B1 *	7/2001	Ohe et al.	29/832
6,266,869 B1 *	7/2001	Tracy et al.	29/740
6,490,781 B2 *	12/2002	Kanai et al.	29/708

FIG. 6 is a top view thereof; and,

FIG. 7 is a bottom view thereof.

The ornamental design which is claimed is shown in solid lines in the drawings. Any broken lines in the drawings are for illustrative purposes only and form no part of the claimed design.

**1 Claim, 5 Drawing Sheets**



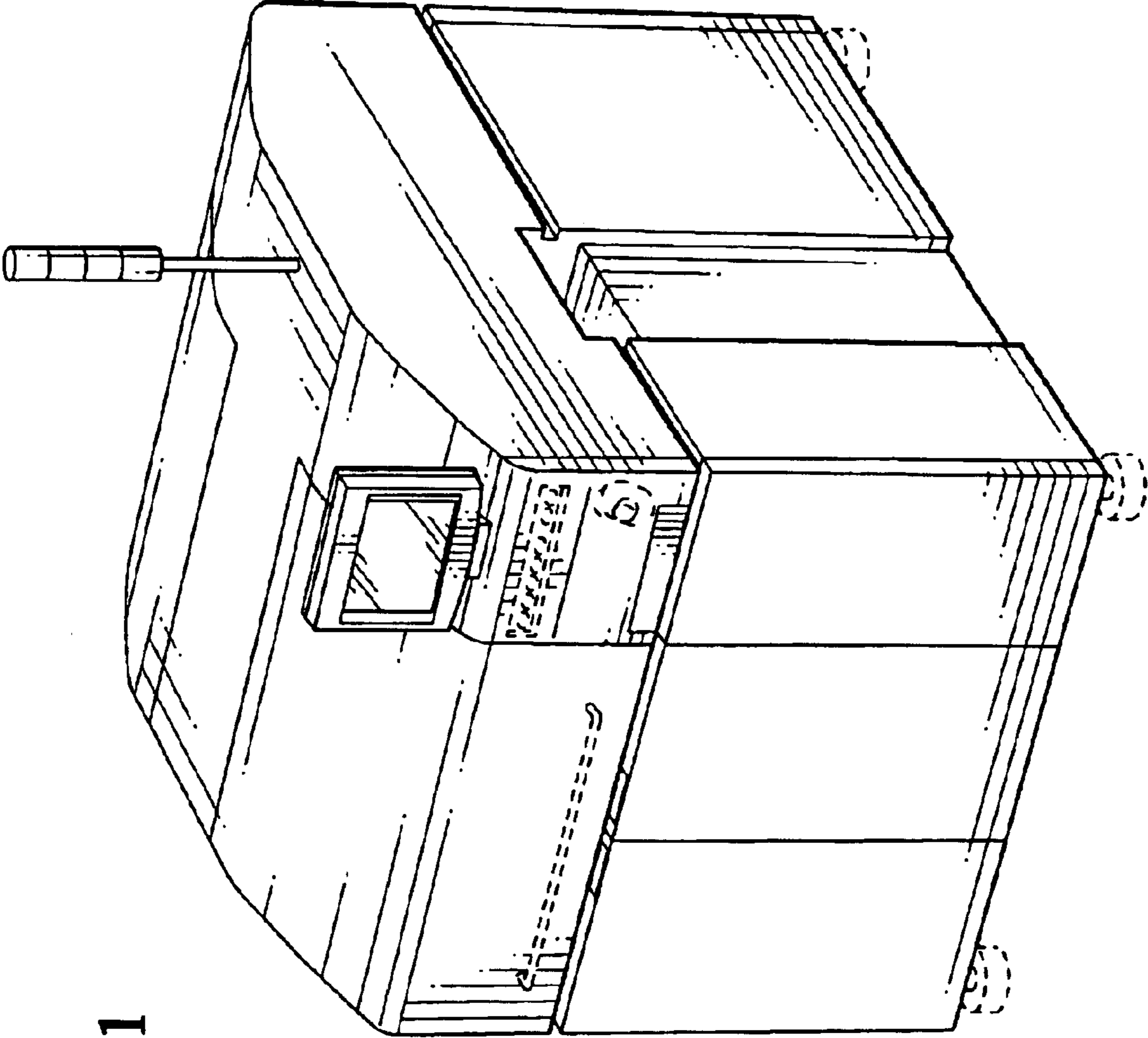


FIG. 1

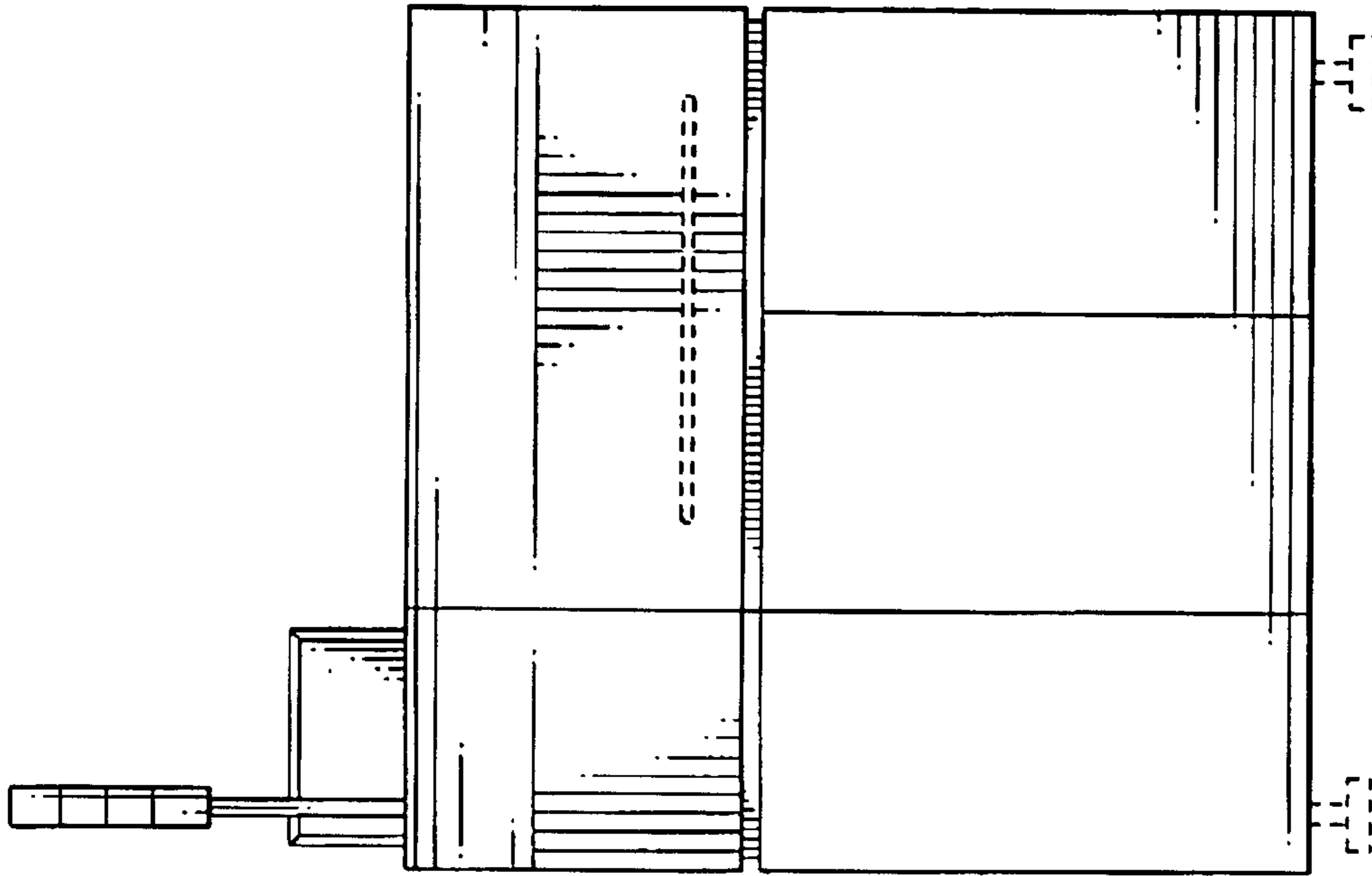


FIG. 2

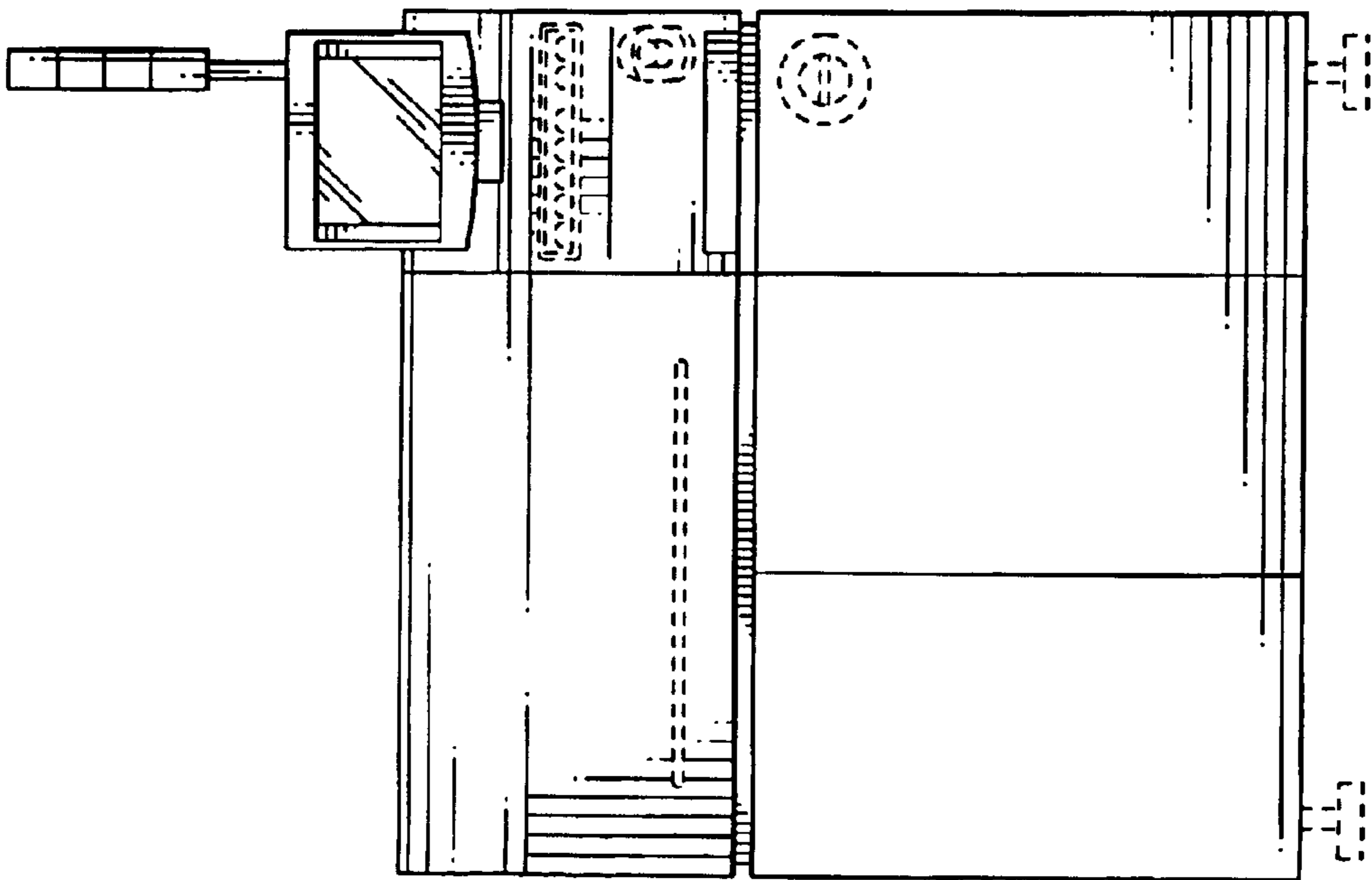


FIG. 3

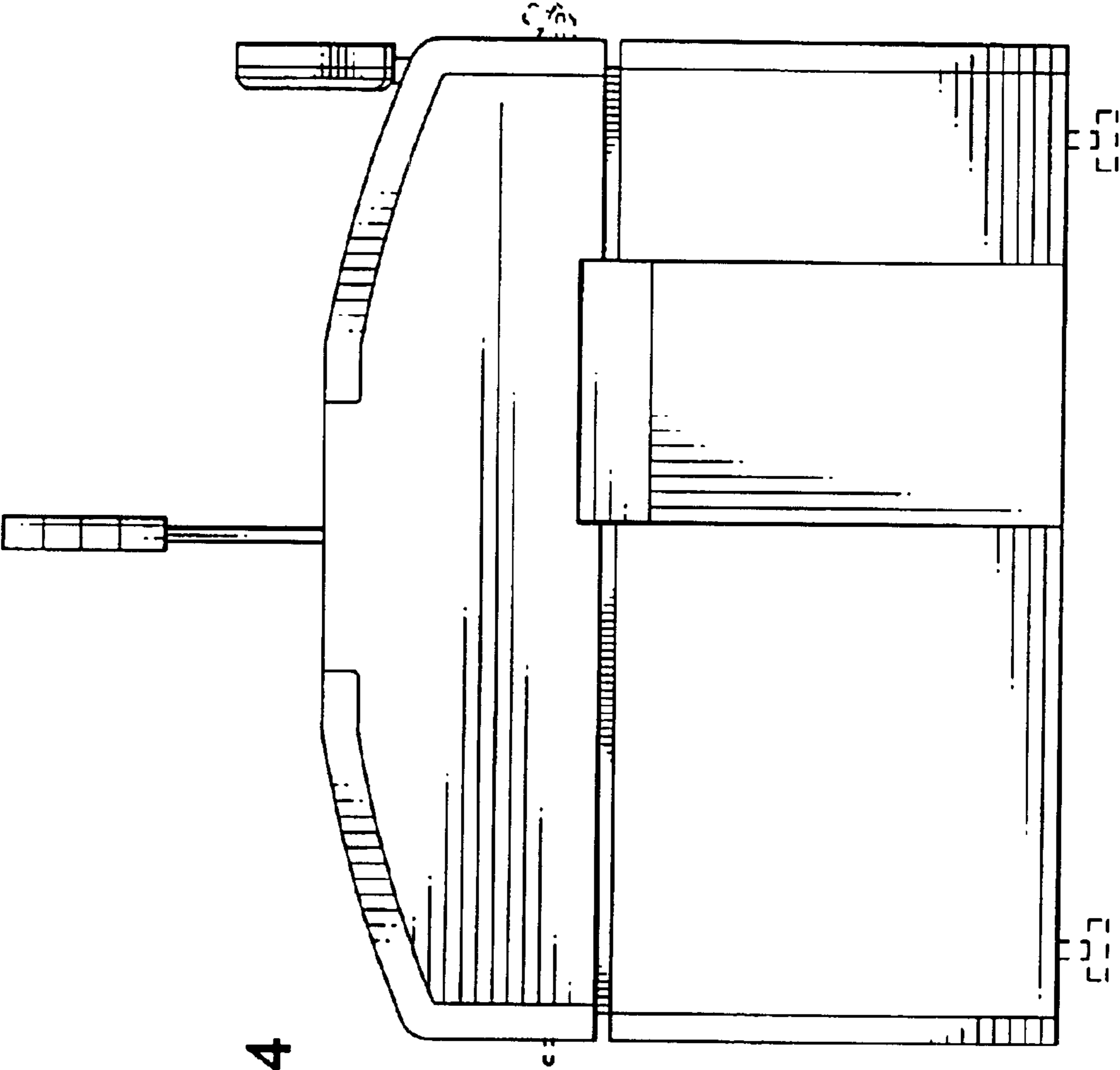
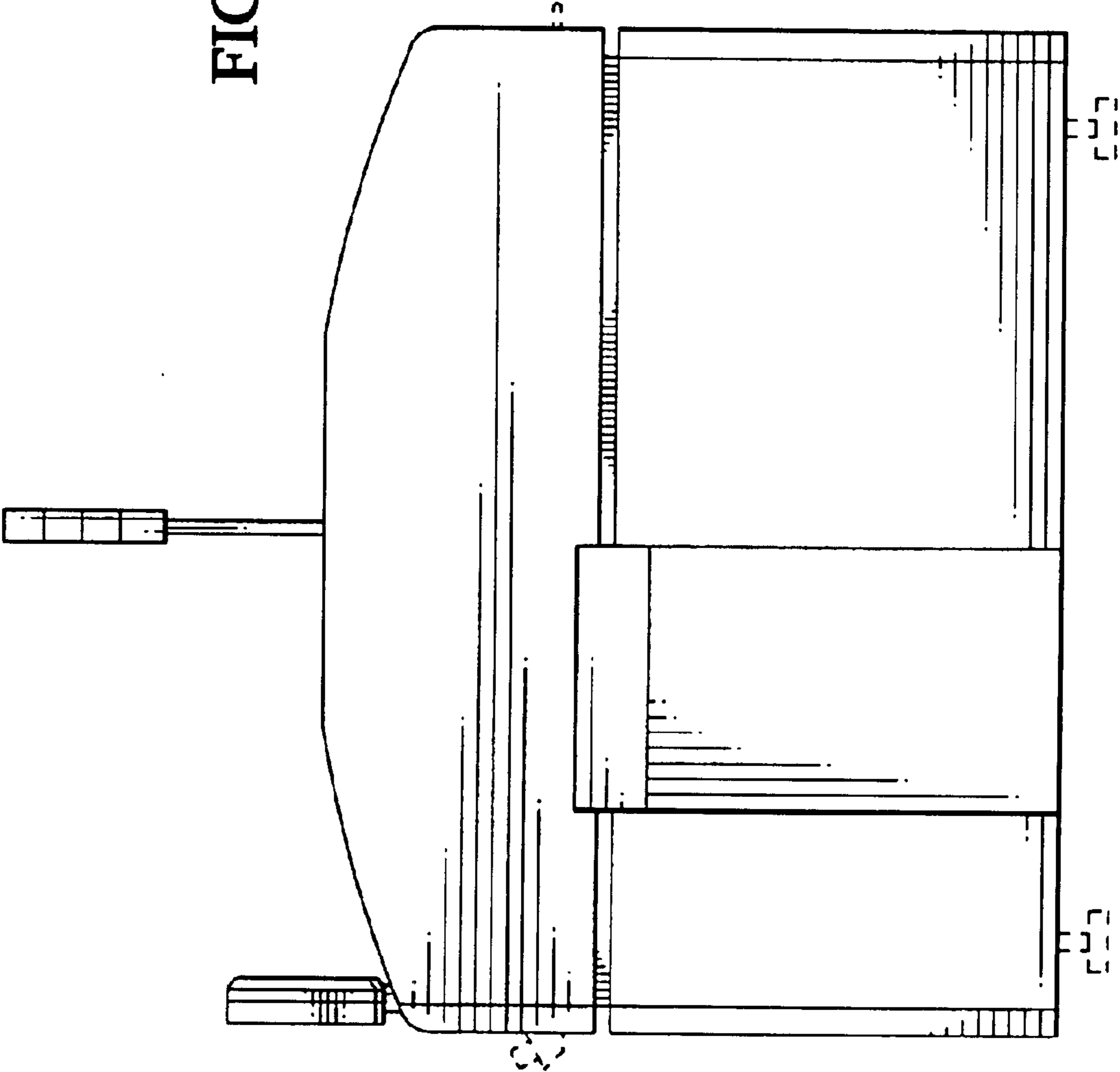


FIG. 4

FIG. 5



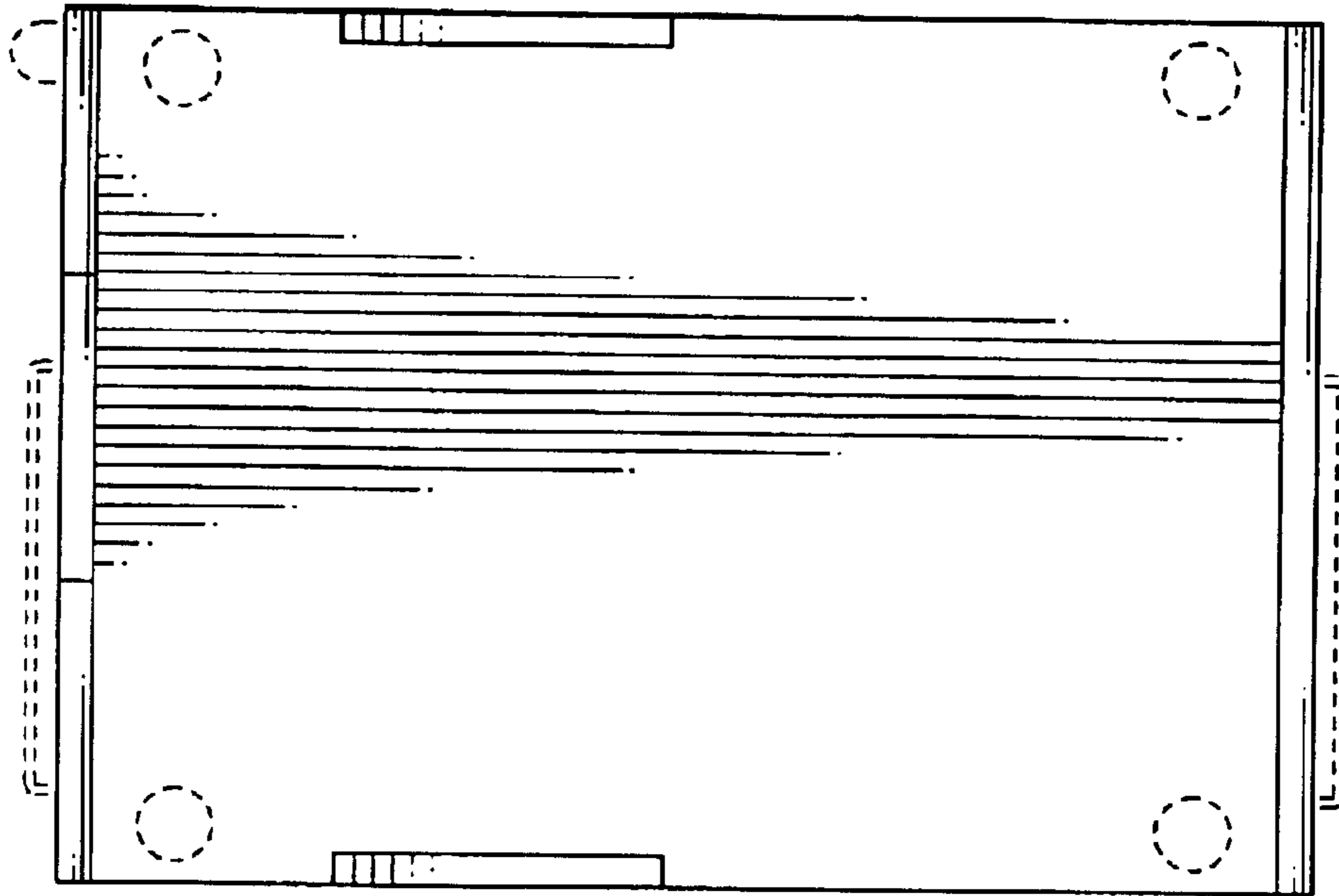


FIG. 7

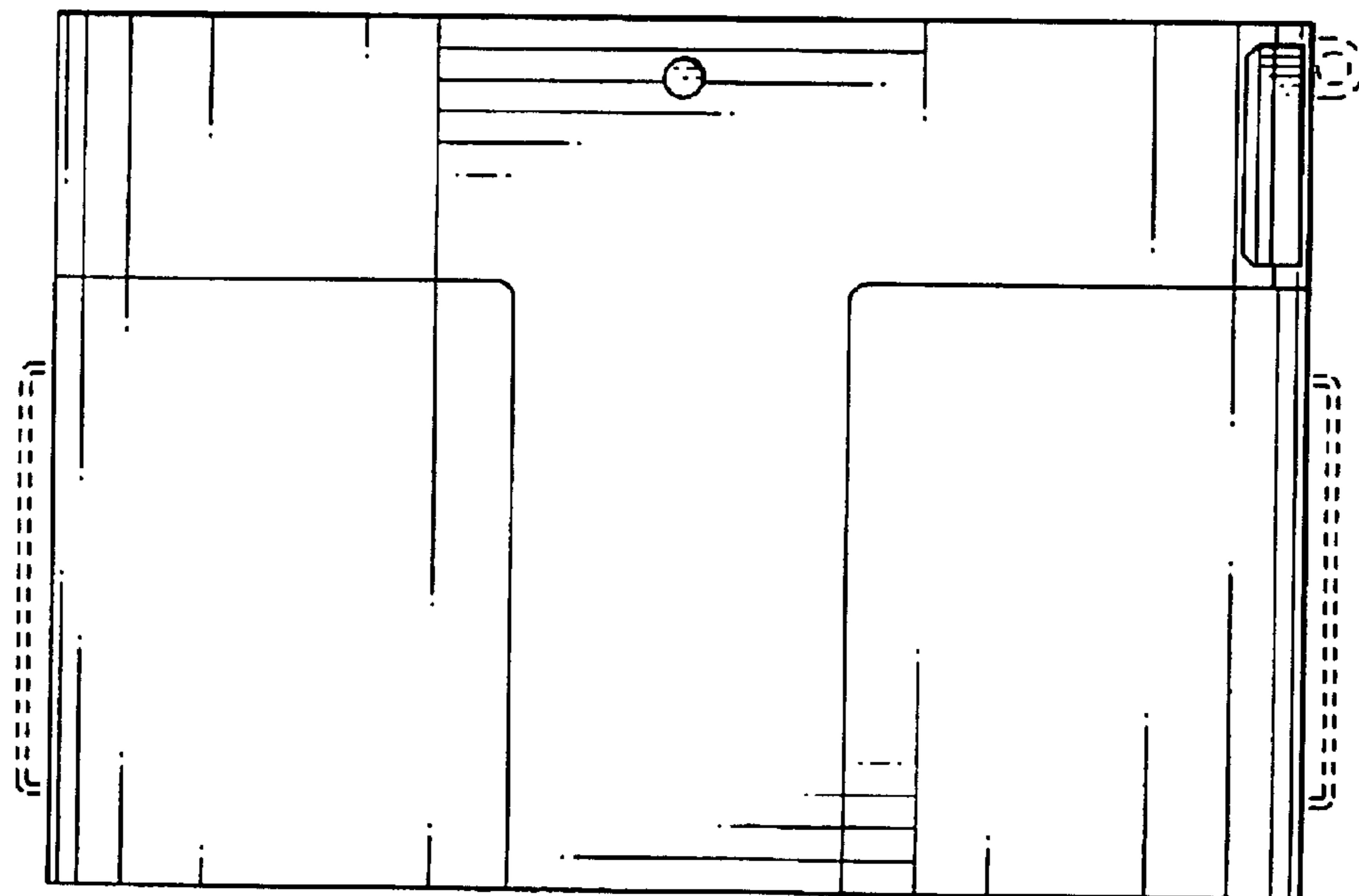


FIG. 6