

US00D494985S1

(12) **United States Design Patent**
Kim et al.

(10) **Patent No.:** **US D494,985 S**

(45) **Date of Patent:** **** Aug. 24, 2004**

(54) **LAWN MOWER**

(75) **Inventors:** **Se Han Kim**, Blue Springs, MO (US);
Hannah D. Lyman, Warrensburg, MO
(US); **G. Kent Lauer**, Lee's Summit,
MO (US)

(73) **Assignee:** **Billy Goat Industries, Inc.**, Lee's
Summit, MO (US)

(**) **Term:** **14 Years**

(21) **Appl. No.:** **29/189,848**

(22) **Filed:** **Sep. 11, 2003**

(51) **LOC (7) Cl.** **15-03**

(52) **U.S. Cl.** **D15/17; D15/18**

(58) **Field of Search** D15/10, 14-18,
D15/28; 180/19.1, 19.2, 19.3, 252; 56/233,
13.4, 15.8, 15.9, 16.1, 16.7, 16.9, 17.4,
202, 255, 320.1, 320

(56) **References Cited**

U.S. PATENT DOCUMENTS

2,975,839 A * 3/1961 Burrows et al. 172/125

5,025,618 A * 6/1991 Braun 56/16.7
5,518,079 A * 5/1996 Zvolanek 180/19.1
D415,503 S * 10/1999 Eavenson et al. D15/14
D423,018 S * 4/2000 Crosby et al. D15/14

* cited by examiner

Primary Examiner—Mitchell Siegel

(74) *Attorney, Agent, or Firm*—Spencer Fane Britt &
Browne LLP

(57) **CLAIM**

The ornamental design for a lawn mower, as shown and
described.

DESCRIPTION

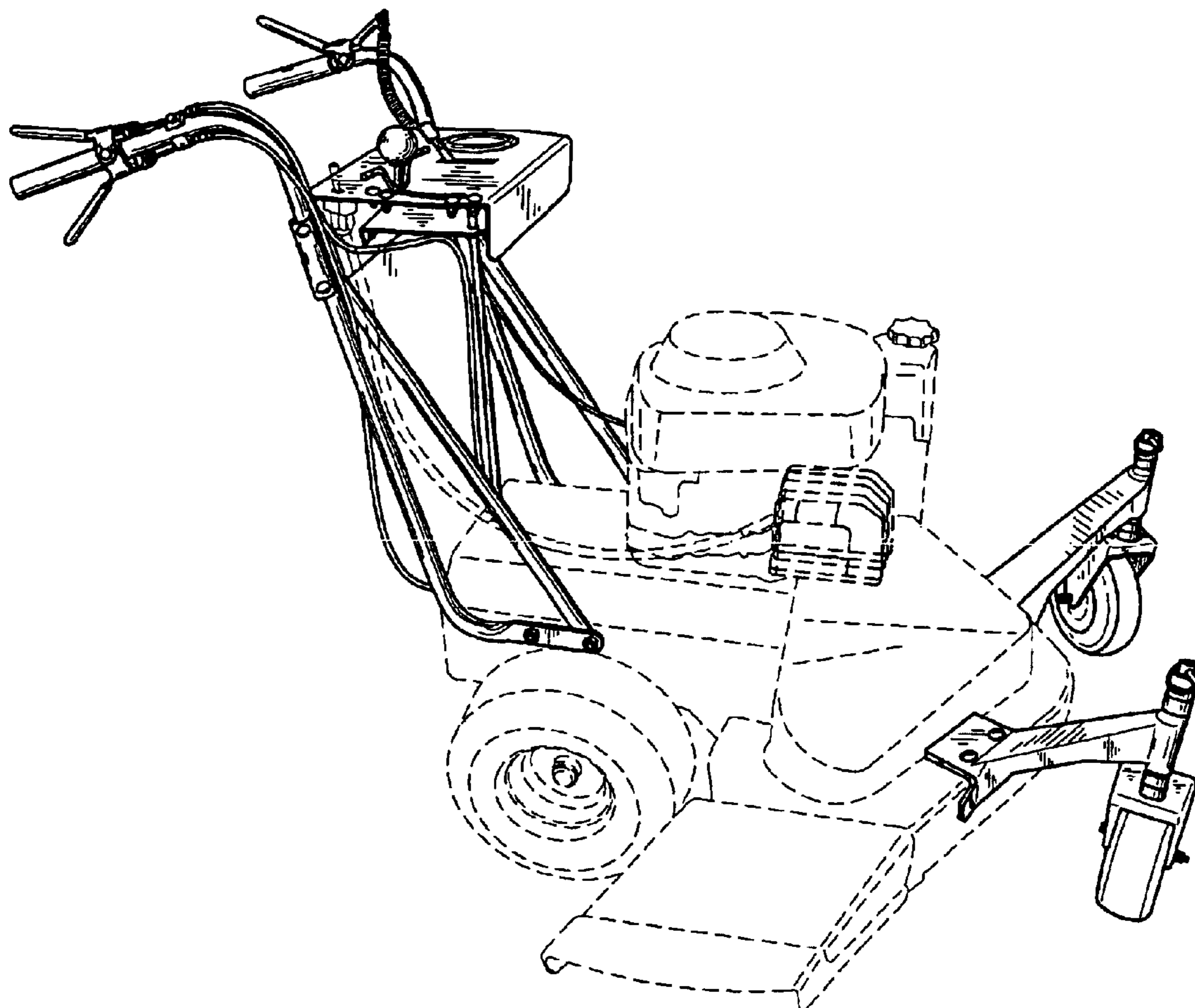
FIG. 1 is a rear perspective view of the lawn mower showing
our new design;

FIG. 2 is a front perspective view of the lawn mower of FIG.
1;

FIG. 3 is a right side perspective view of the lawn mower of
FIG. 1; and,

FIG. 4 is left side perspective view of the lawn mower of
FIG. 1.

1 Claim, 2 Drawing Sheets



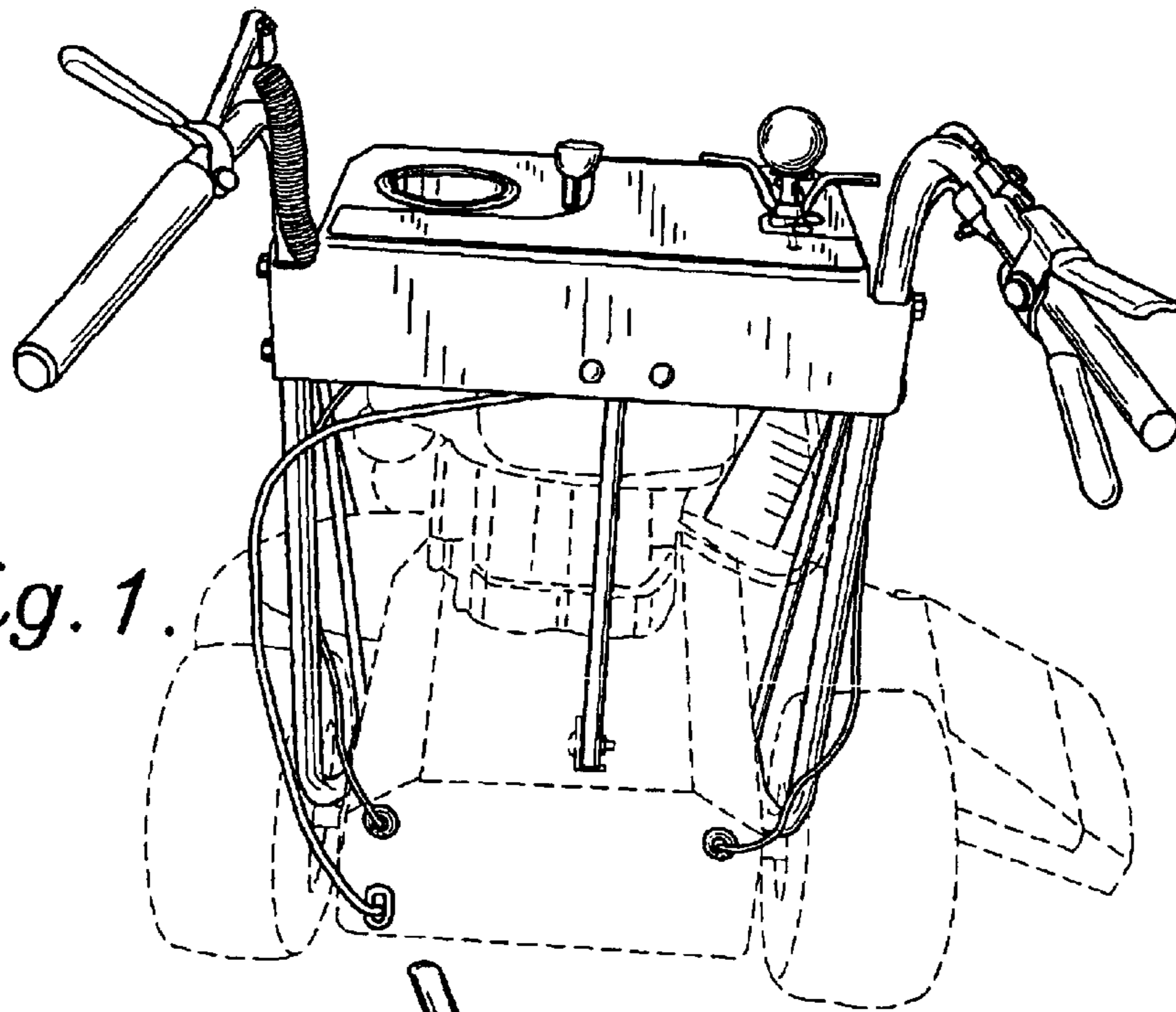


Fig. 1.

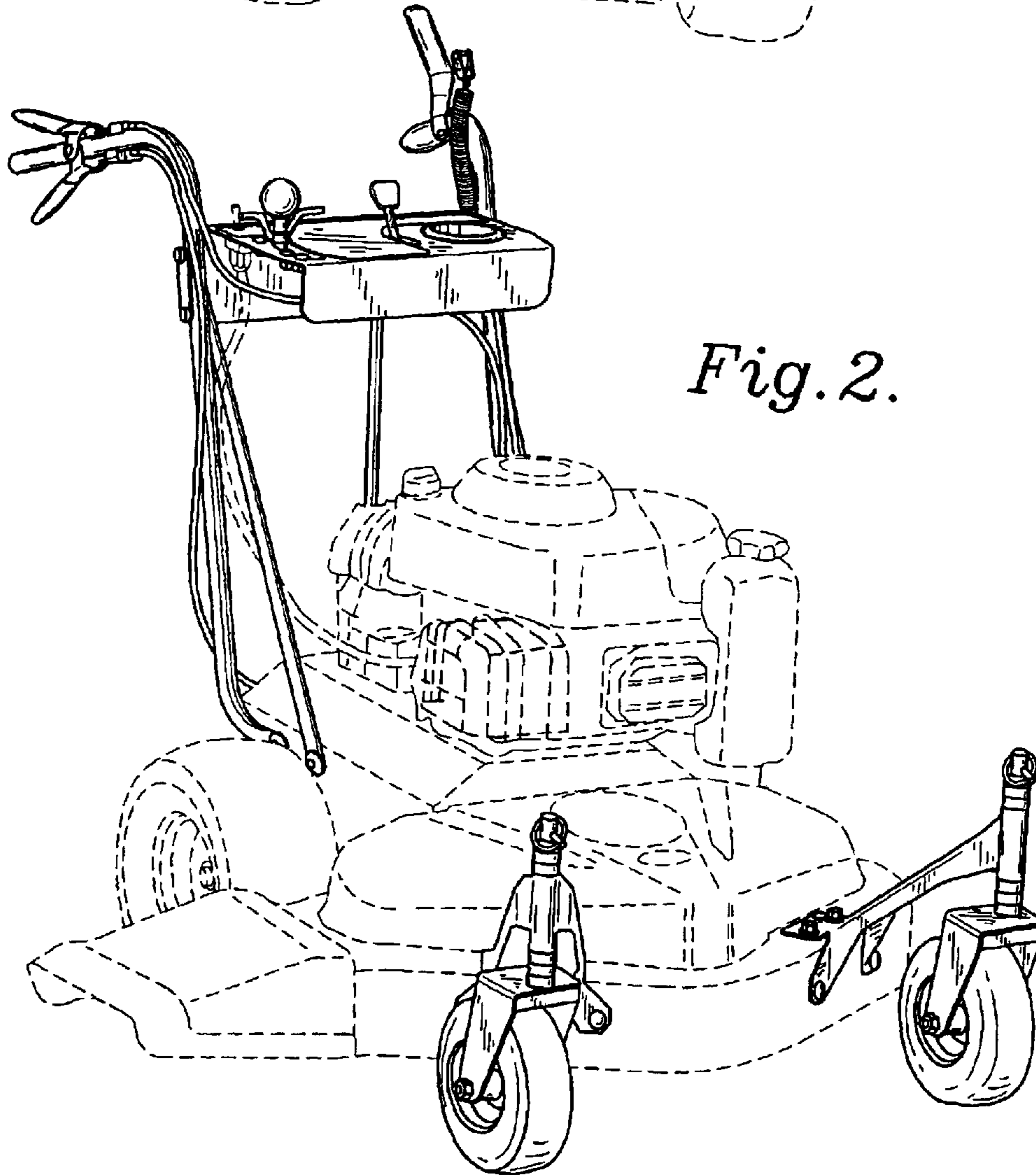


Fig. 2.

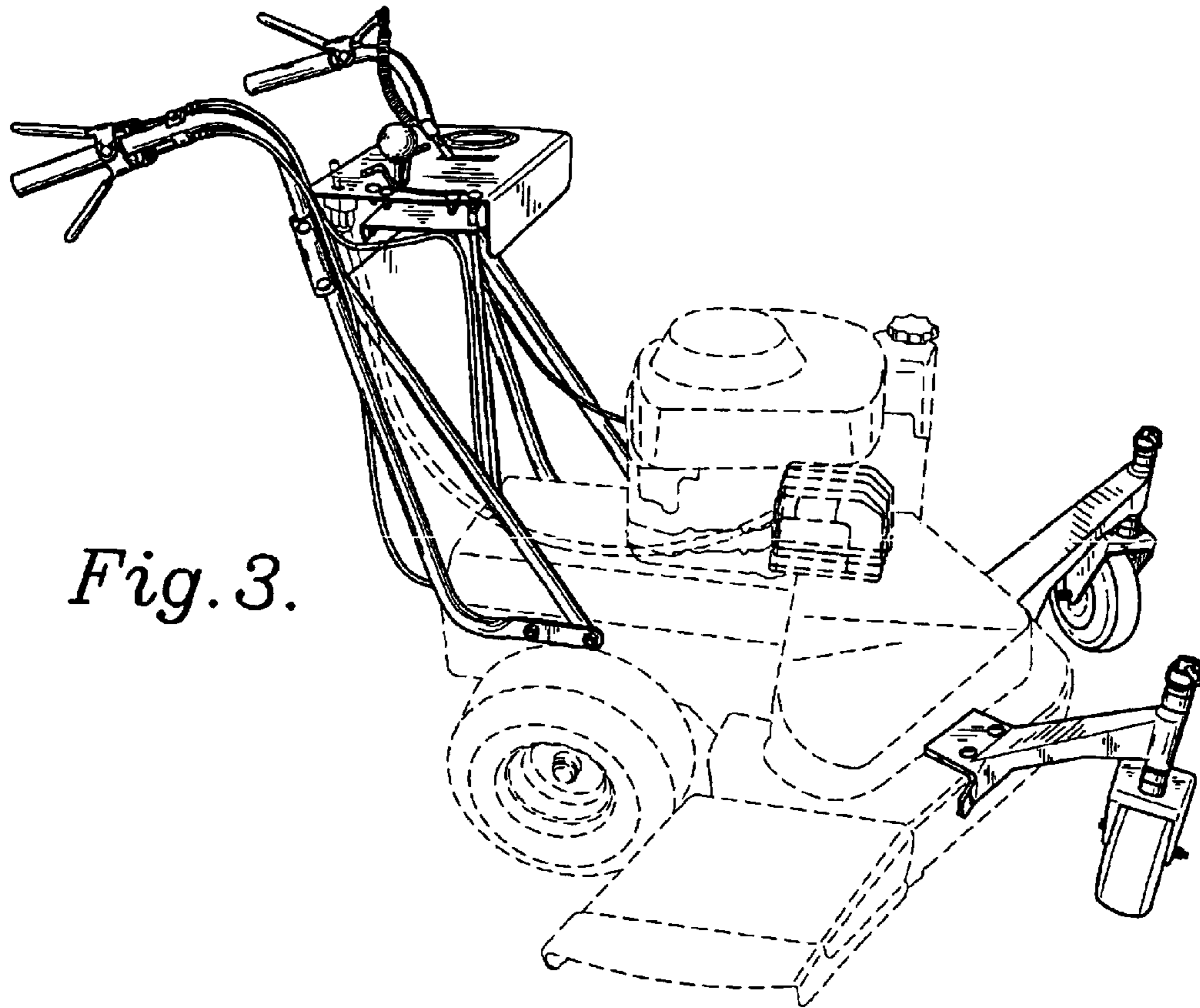


Fig. 3.

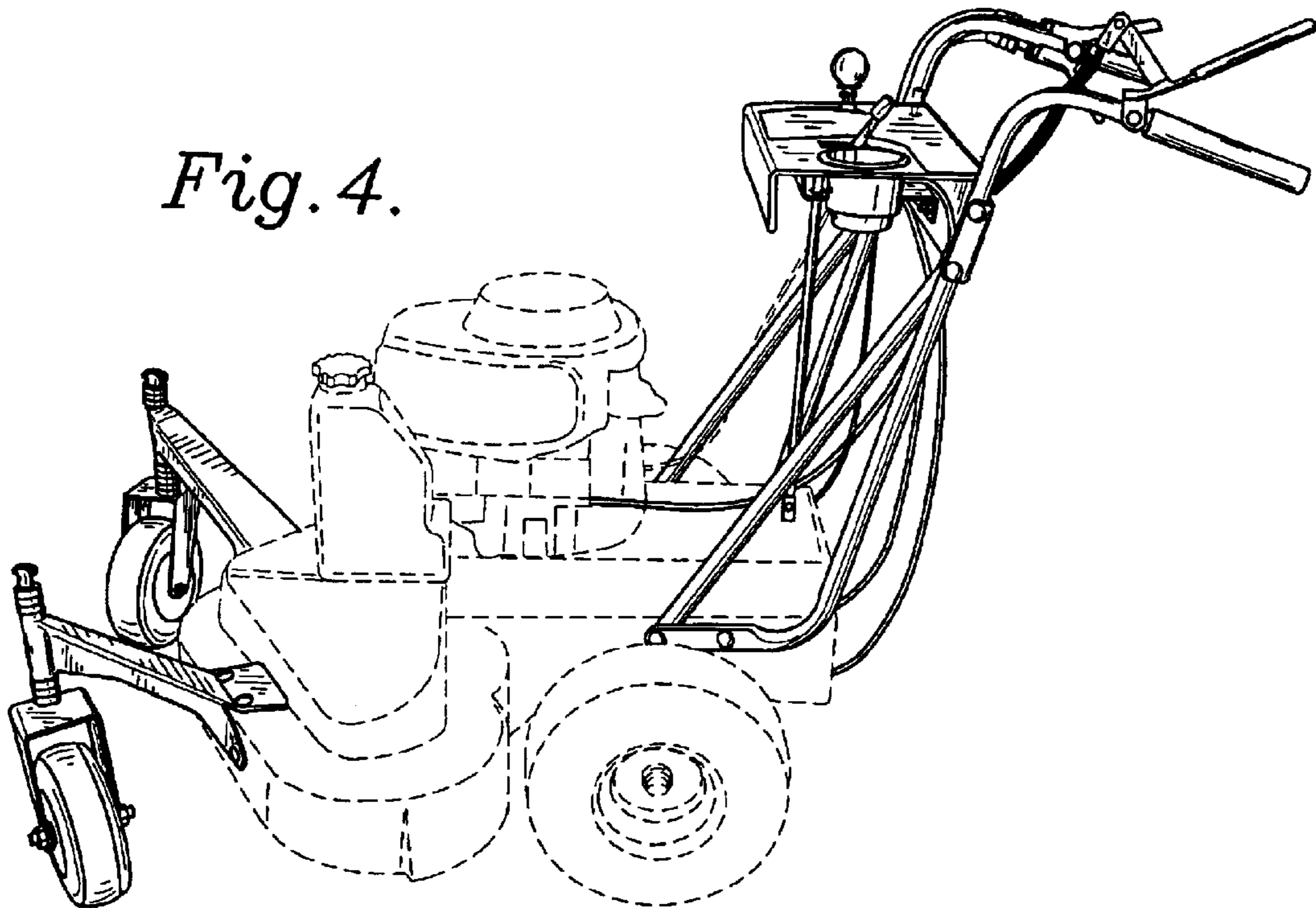


Fig. 4.