

US00D494980S1

(12) **United States Design Patent**
Pao

(10) **Patent No.:** **US D494,980 S**

(45) **Date of Patent:** **** Aug. 24, 2004**

(54) **KEYBOARD SUPPORT**

D456,416 S * 4/2002 Tonizzo D14/457

(76) Inventor: **Chu-Ting Pao**, No. 72, Da Sin Street,
W.Dist, Taichung (TW)

* cited by examiner

(**) Term: **14 Years**

Primary Examiner—Kay H. Chin
(74) *Attorney, Agent, or Firm*—Pro-Techtor International
Services

(21) Appl. No.: **29/195,709**

(57) **CLAIM**

(22) Filed: **Dec. 15, 2003**

The ornamental design for a keyboard support, as shown.

(51) **LOC (7) Cl.** **14-02**

(52) **U.S. Cl.** **D14/457**

(58) **Field of Search** D14/432, 439,
D14/454-457; 108/140, 143; 400/472; 248/118.1,
118.3, 917-924; 211/153; D19/86, 92, 95

DESCRIPTION

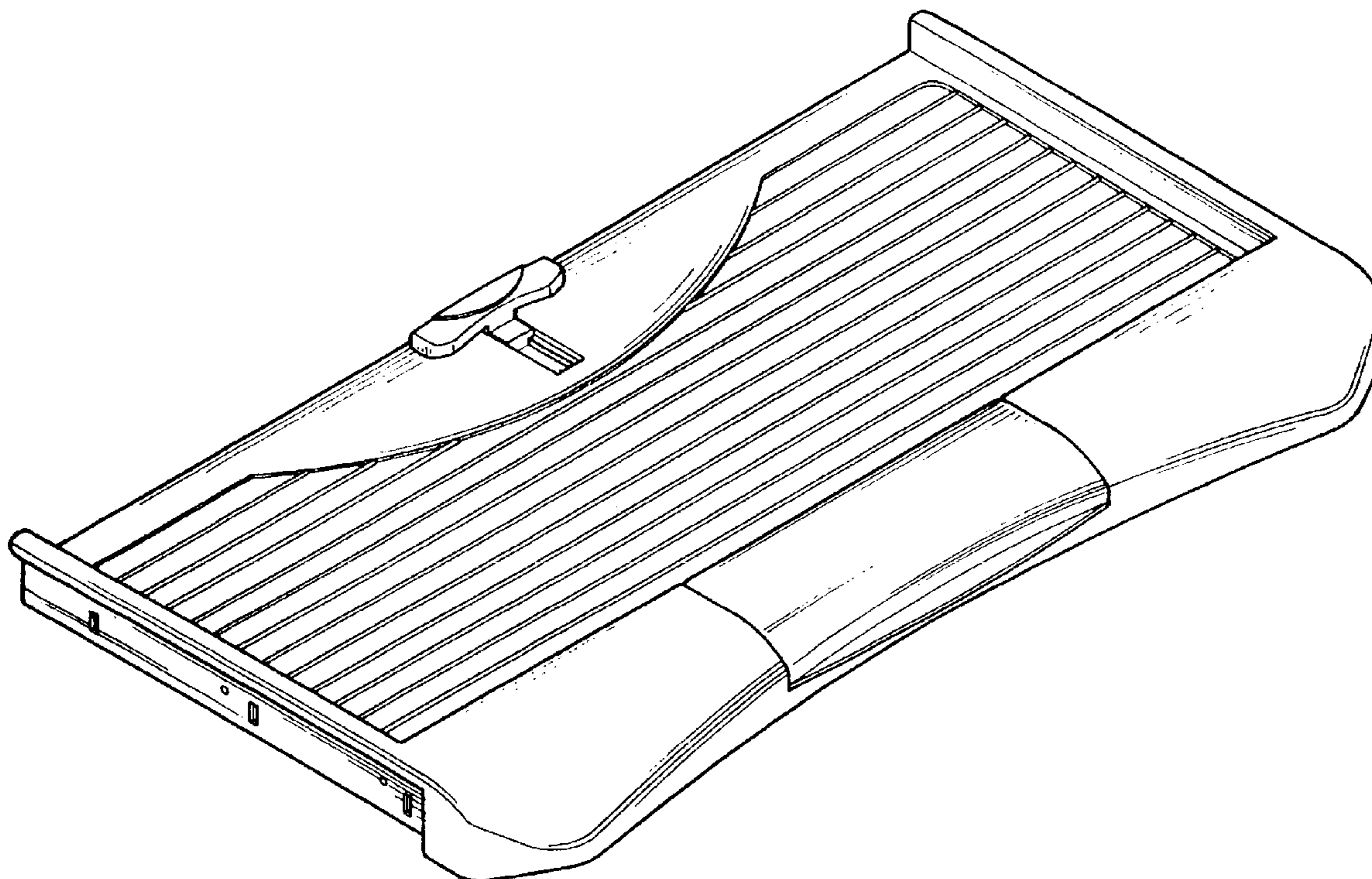
FIG. 1 is a perspective view of a keyboard support showing
my design;
FIG. 2 is a right side elevational view thereof;
FIG. 3 is a top plan view thereof;
FIG. 4 is a front elevational view thereof;
FIG. 5 is a bottom plan view thereof;
FIG. 6 is a left side elevational view thereof; and,
FIG. 7 is a rear elevational view thereof.

(56) **References Cited**

U.S. PATENT DOCUMENTS

D427,201 S	*	6/2000	Lin	D14/457
D437,857 S	*	2/2001	Cooper et al.	D14/457
D447,145 S	*	8/2001	Cooper et al.	D14/457
D455,434 S	*	4/2002	Lin	D14/457

1 Claim, 5 Drawing Sheets



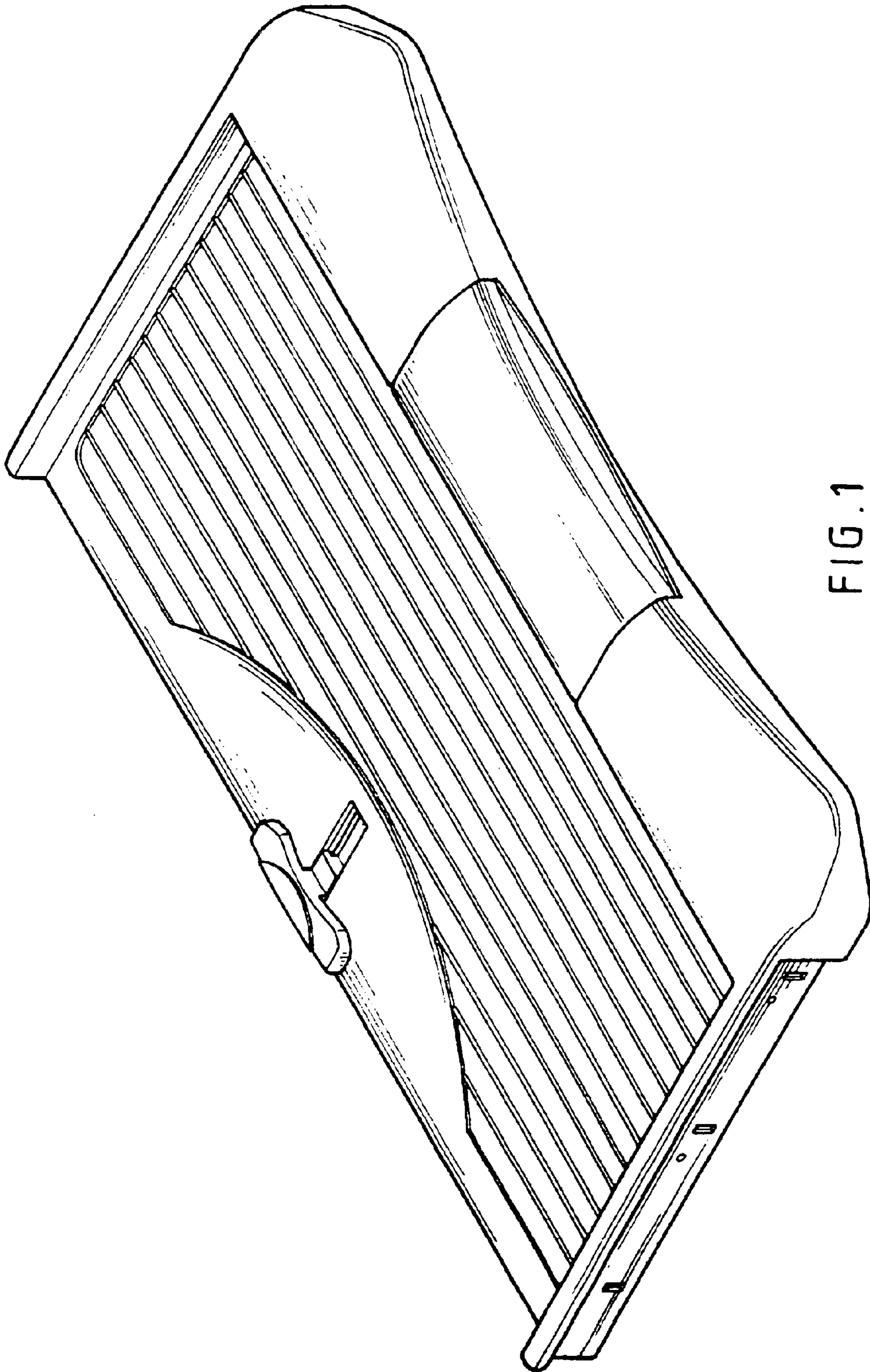


FIG. 1

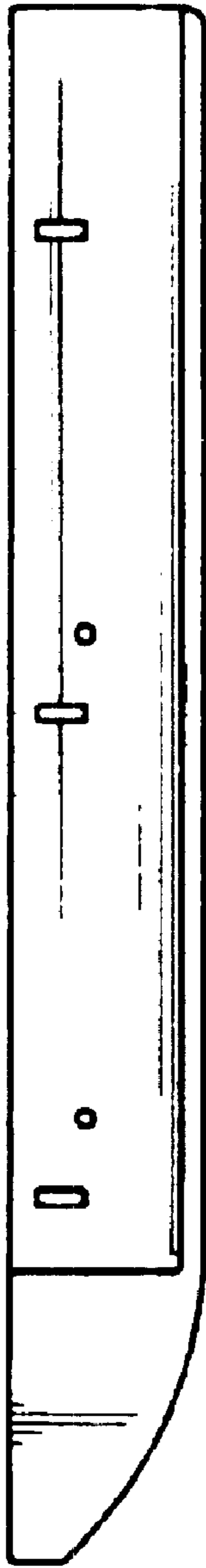


FIG. 6

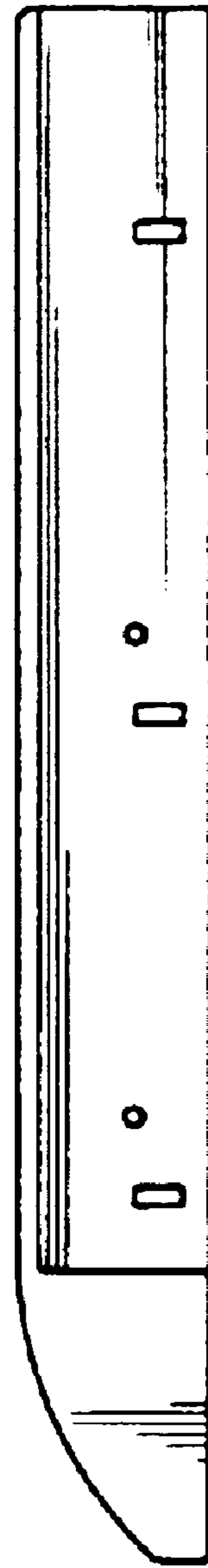


FIG. 2

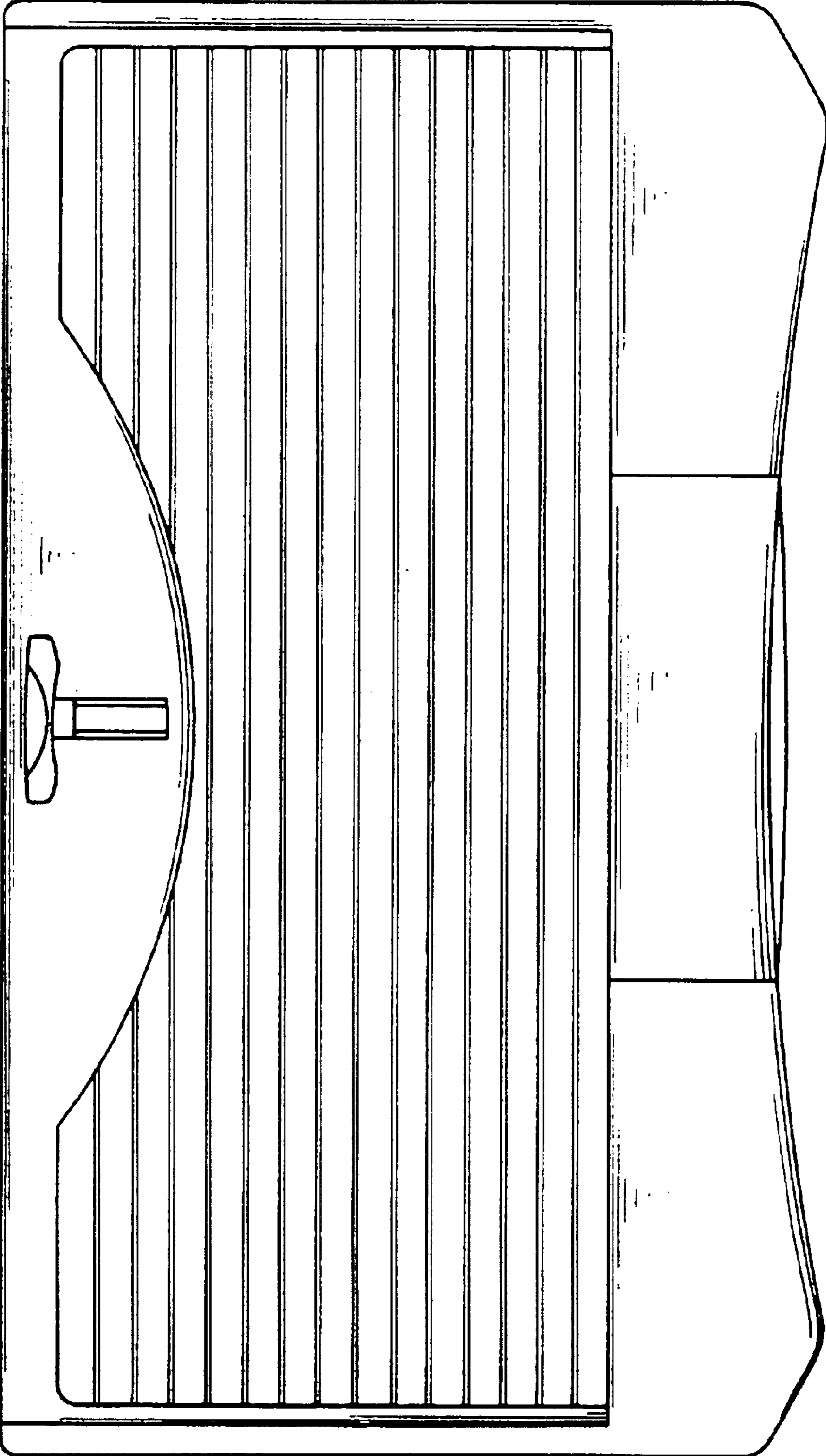


FIG. 3

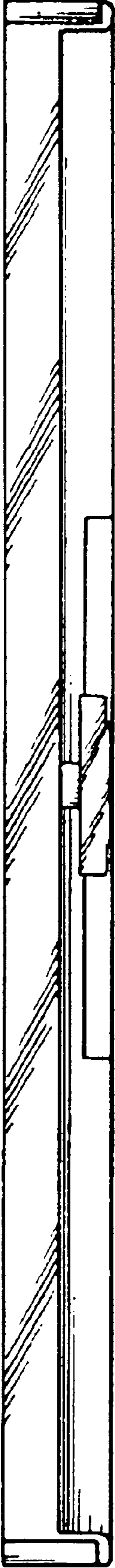


FIG. 7



FIG. 4

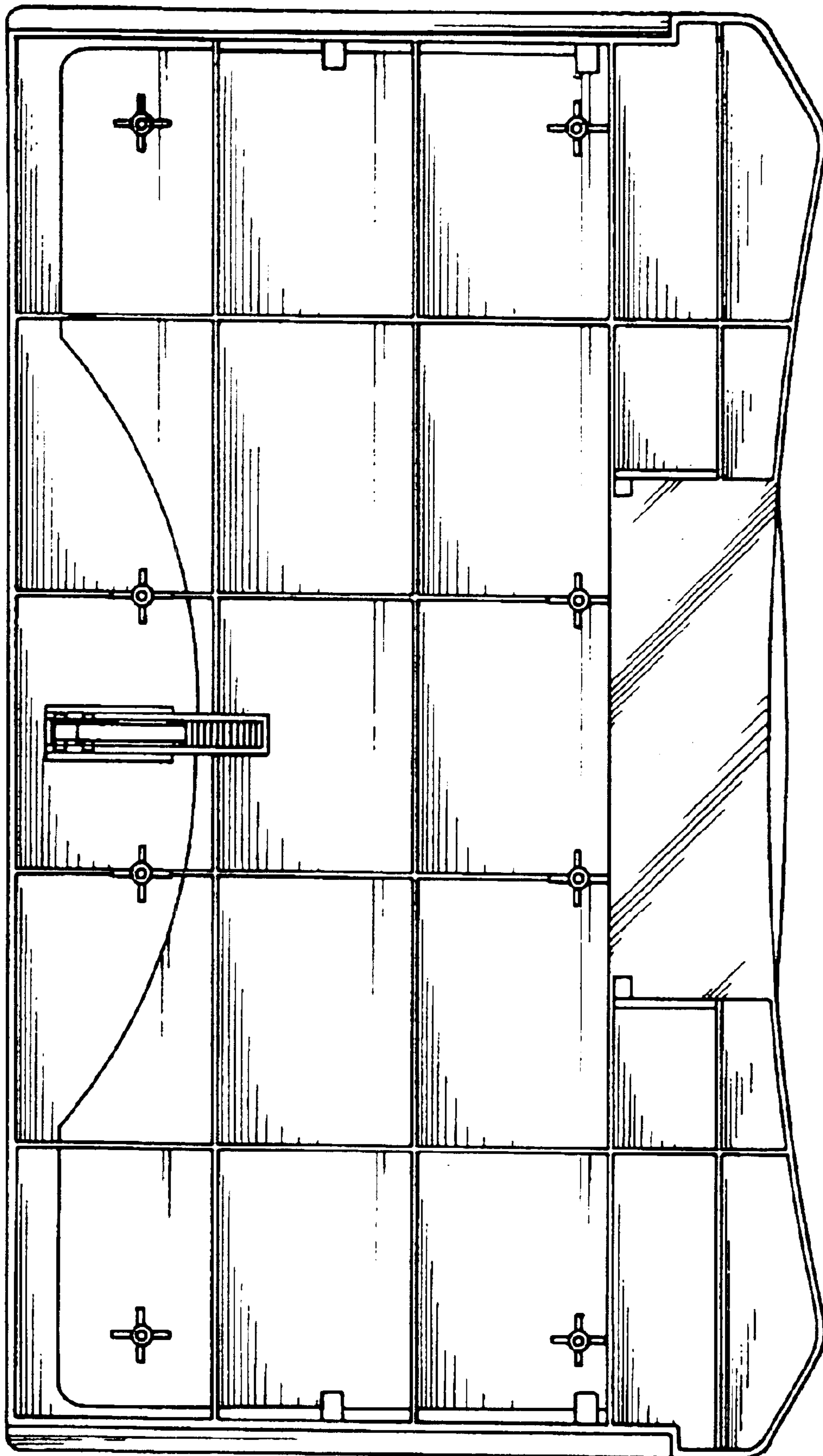


FIG. 5