

US00D494976S1

(12) **United States Design Patent**
Lee

(10) **Patent No.:** **US D494,976 S**
(45) **Date of Patent:** **** Aug. 24, 2004**

(54) **PANEL OF A COMPUTER**

D409,988 S * 5/1999 Otis et al. D14/441

(75) Inventor: **Kevin Lee, Pa-The (TW)**

* cited by examiner

(73) Assignee: **Chyang Fun Industry Co., Ltd.,
Tao-Yuan Hsien (TW)**

Primary Examiner—Freda S. Nunn

(74) *Attorney, Agent, or Firm*—Troxell Law Office PLLC

(**) Term: **14 Years**

(57) **CLAIM**

(21) Appl. No.: **29/189,179**

The ornamental design for a panel of a computer, as shown and described.

(22) Filed: **Sep. 2, 2003**

(30) **Foreign Application Priority Data**

DESCRIPTION

Jun. 12, 2003 (TW) 092303634

FIG. 1 is a perspective view of a panel of a computer;

(51) **LOC (7) Cl.** **14-02**

FIG. 2 is a front view thereof;

(52) **U.S. Cl.** **D14/441**

FIG. 3 is a back view thereof;

(58) **Field of Search** D14/441-446;

FIG. 4 is a right side view thereof;

D13/162, 184, 199; 312/223.2; 361/680-686,
690-696

FIG. 5 is a left side view thereof;

FIG. 6 is a top plan view thereof;

FIG. 7 is a bottom view thereof; and,

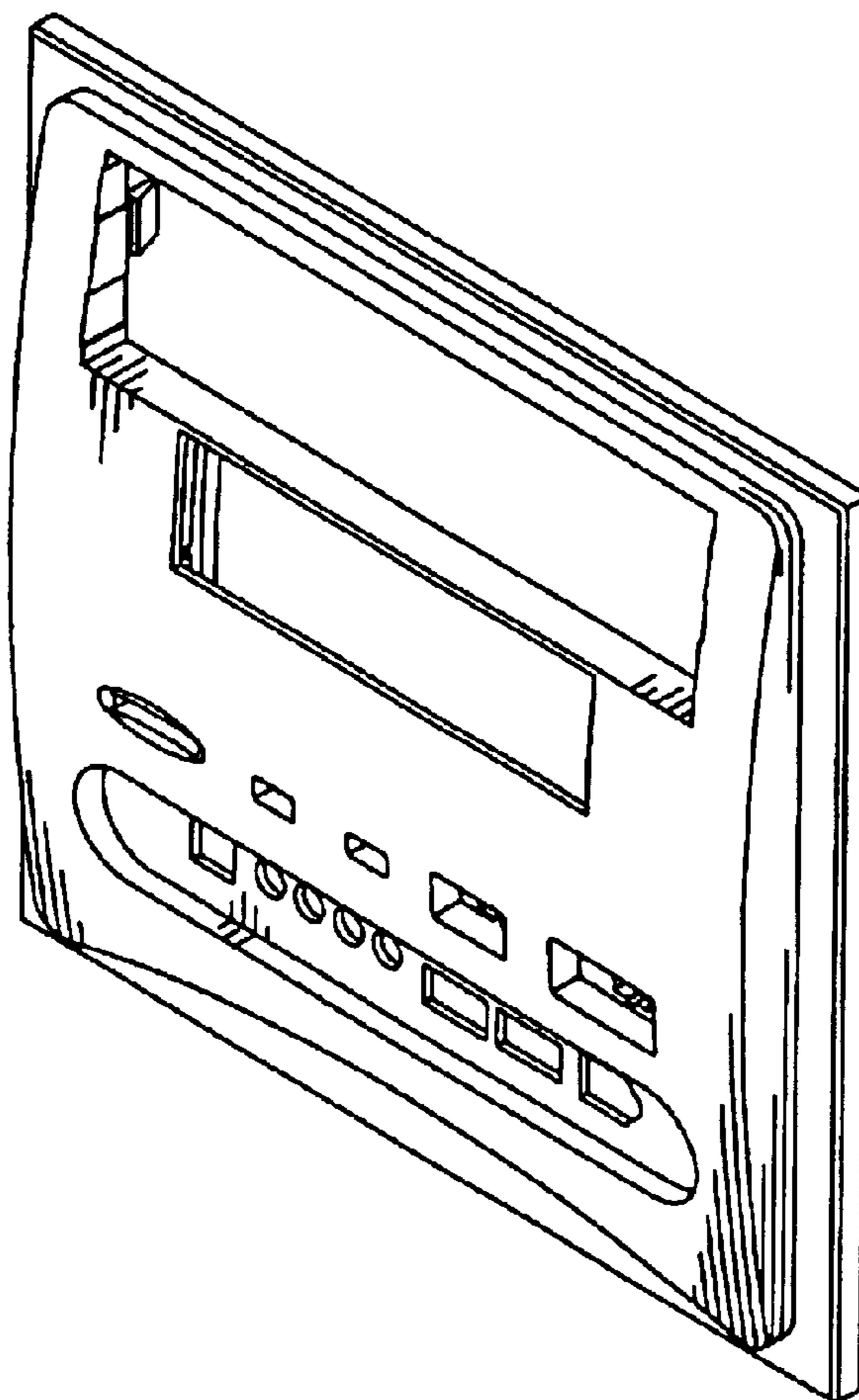
FIG. 8 is an exploded view thereof.

(56) **References Cited**

U.S. PATENT DOCUMENTS

D362,248 S * 9/1995 Marotti et al. D14/442

1 Claim, 4 Drawing Sheets



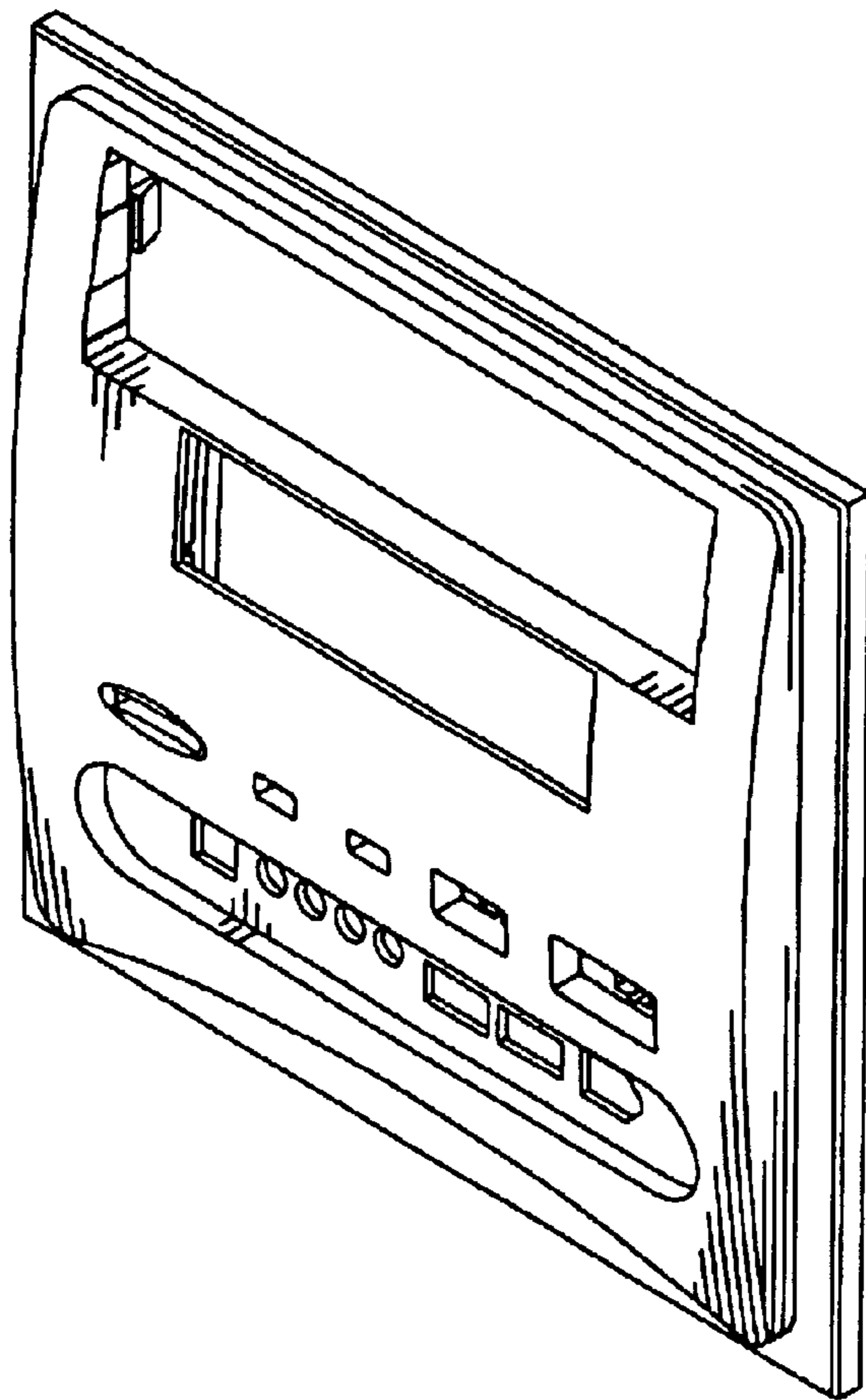


FIG. 1

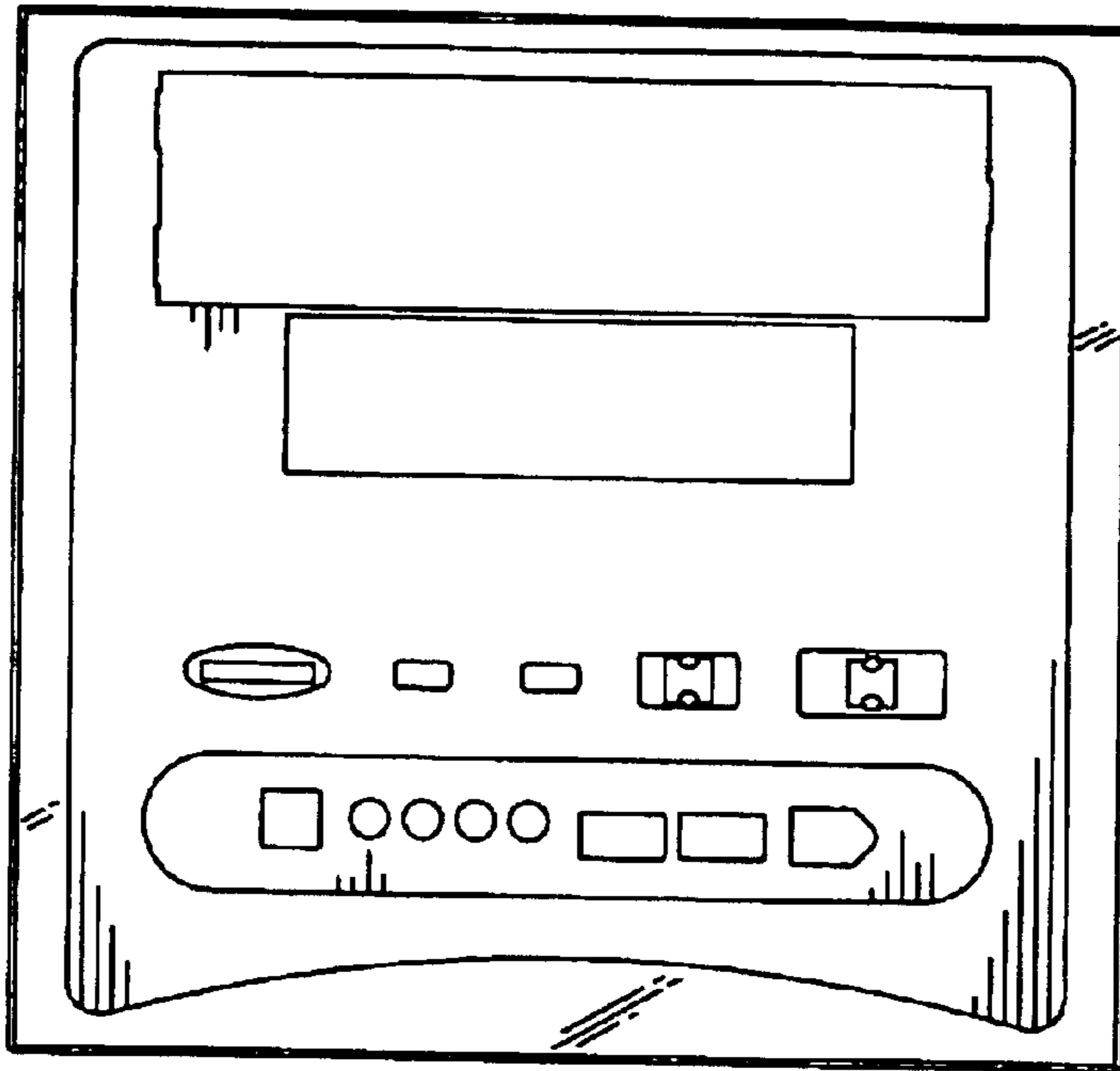


FIG. 2

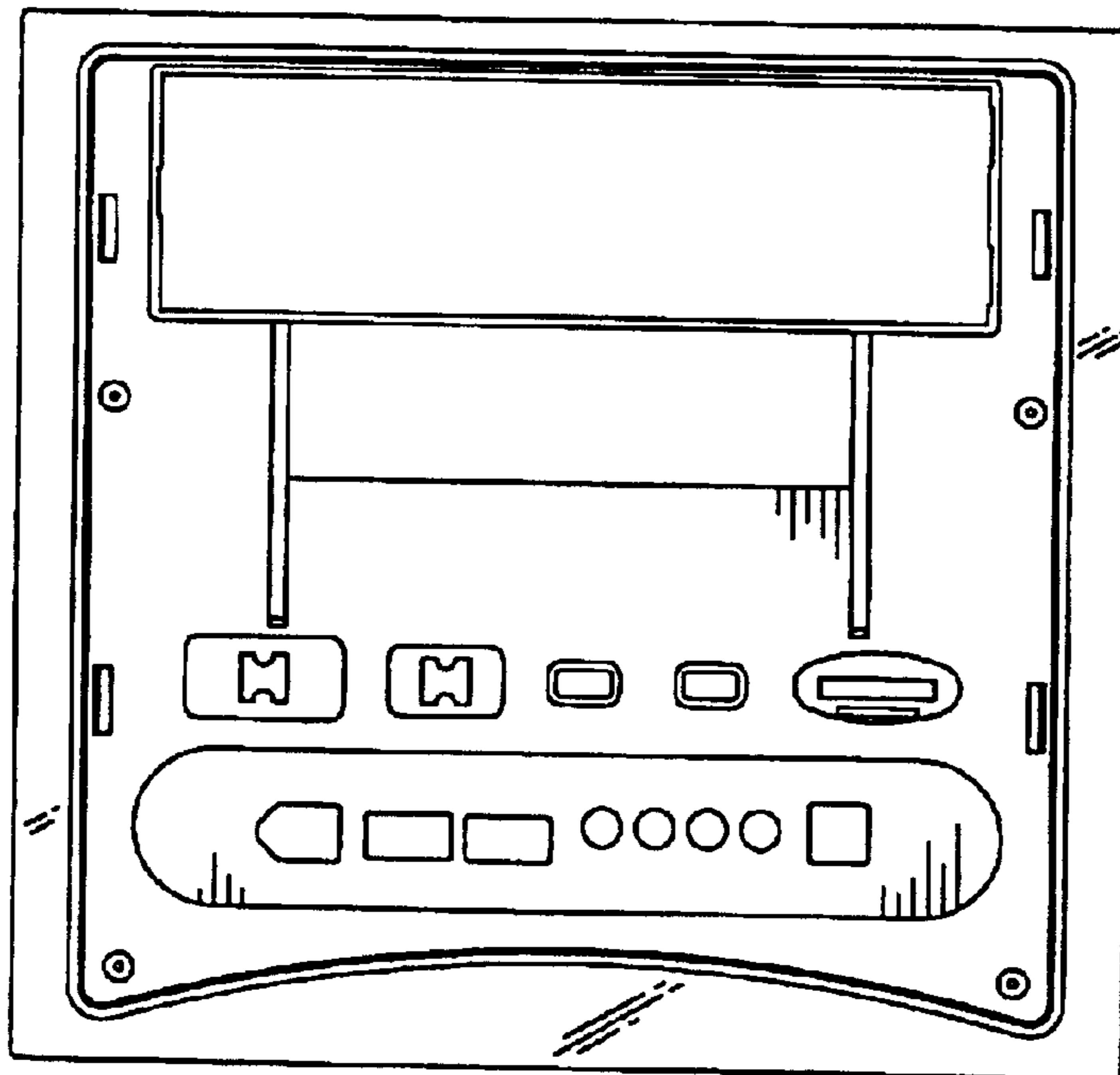


FIG. 3

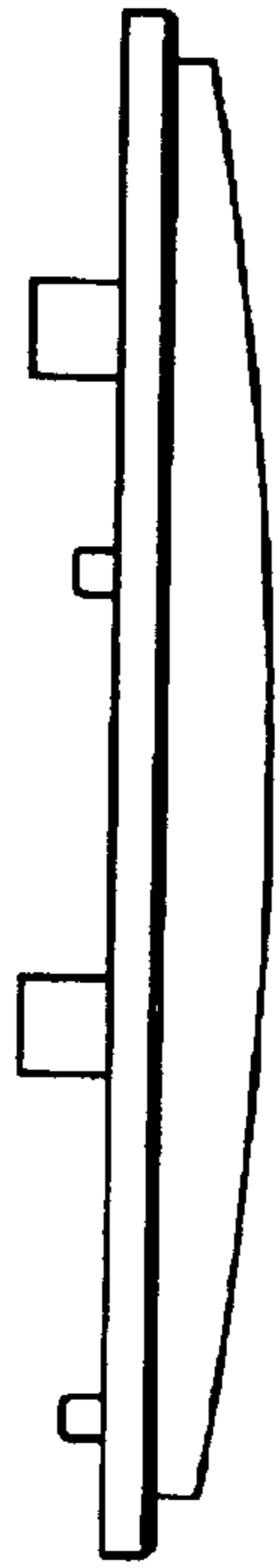


FIG. 4



FIG. 5

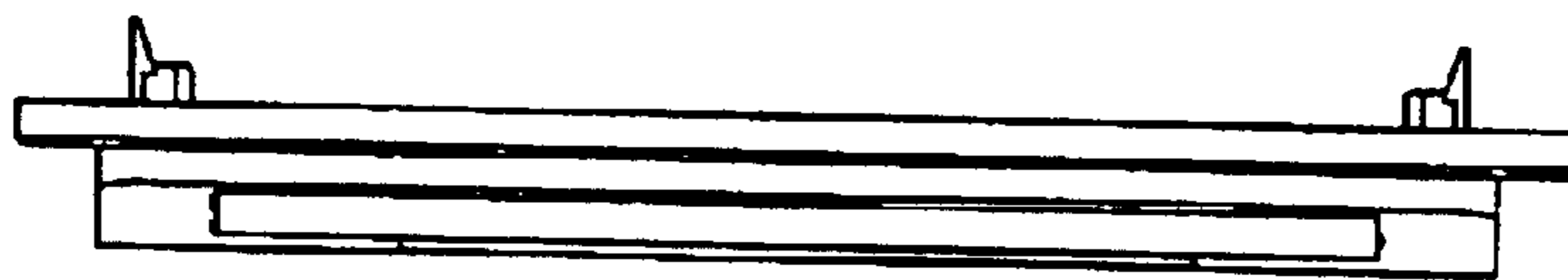


FIG. 6

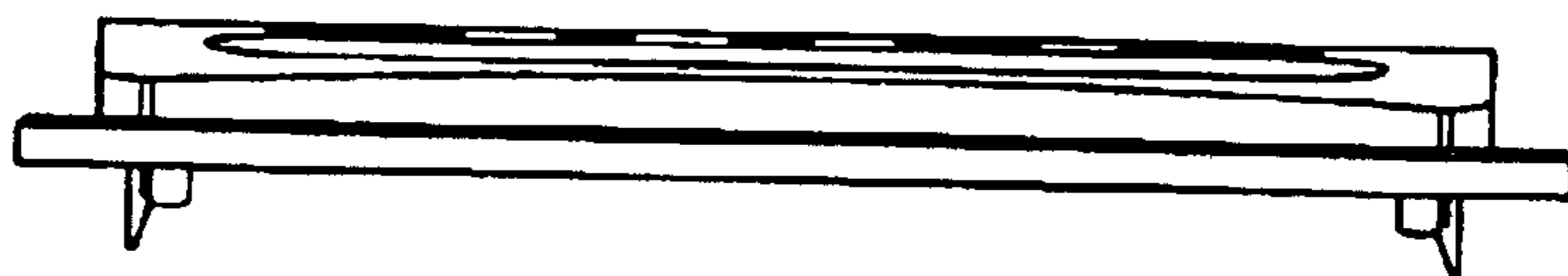


FIG. 7

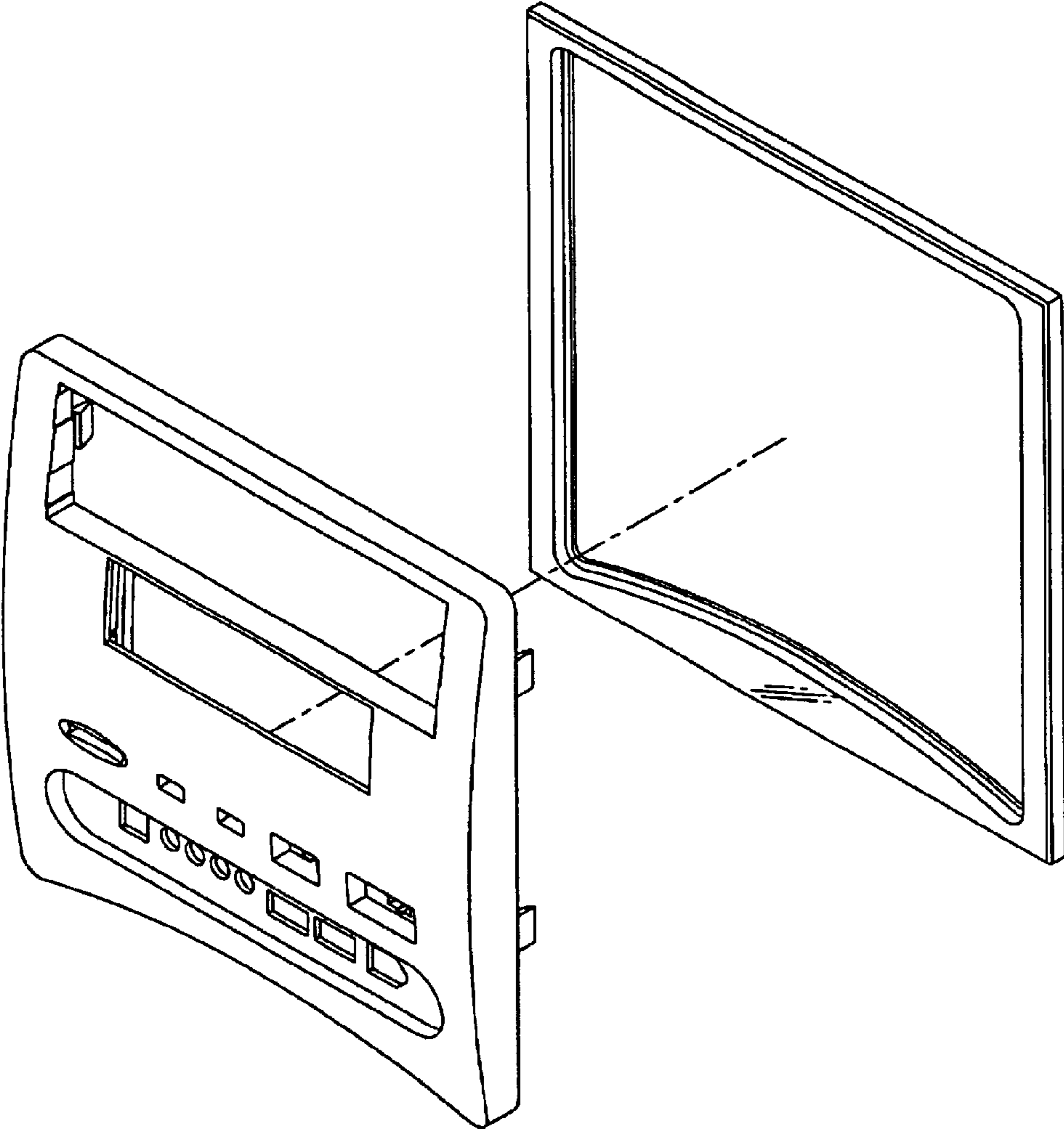


FIG. 8