

US00D494975S1

(12) **United States Design Patent**
McClelland, II et al.

(10) **Patent No.:** **US D494,975 S**
(45) **Date of Patent:** **** Aug. 24, 2004**

(54) **HANDLE FOR A CHASSIS MOUNTED SERVER COMPUTER**

2002/0141165 A1 * 10/2002 Sims et al.

* cited by examiner

(75) Inventors: **Belgie Brian McClelland, II**, Houston, TX (US); **Scott R. Gant**, Houston, TX (US)

Primary Examiner—M. H. Tung

(73) Assignee: **Hewlett-Packard Development Company, L.P.**, Houston, TX (US)

(57) **CLAIM**

The ornamental design for a handle for a chassis mounted server computer, as shown and described.

(**) Term: **14 Years**

DESCRIPTION

(21) Appl. No.: **29/164,569**

FIG. 1 is a top, front and right side perspective view of a handle for a chassis mounted server computer in accordance with our design;

(22) Filed: **Jul. 26, 2002**

FIG. 2 is a top plan view thereof;

(51) **LOC (7) Cl.** **14-02**

FIG. 3 is a front elevational view thereof;

(52) **U.S. Cl.** **D14/435**

FIG. 4 is a back elevational view thereof;

(58) **Field of Search** D14/439; 361/679, 361/683, 684-93, 690, 728, 736-45, 748-52; D8/300, 306, 307, 315; 81/177.1, 177.5, 177.7, 489; 16/110.1, 421, 422, 444, 446, 419-20, DIG. 12, DIG. 41, DIG. 19

FIG. 5 is a left side elevational view thereof;

FIG. 6 is a right side elevational view thereof;

FIG. 7 is a bottom plan view thereof;

FIG. 8 is a top, front, right side perspective view thereof, on a reduced scale, the handle is shown in partially open position; and,

(56) **References Cited**

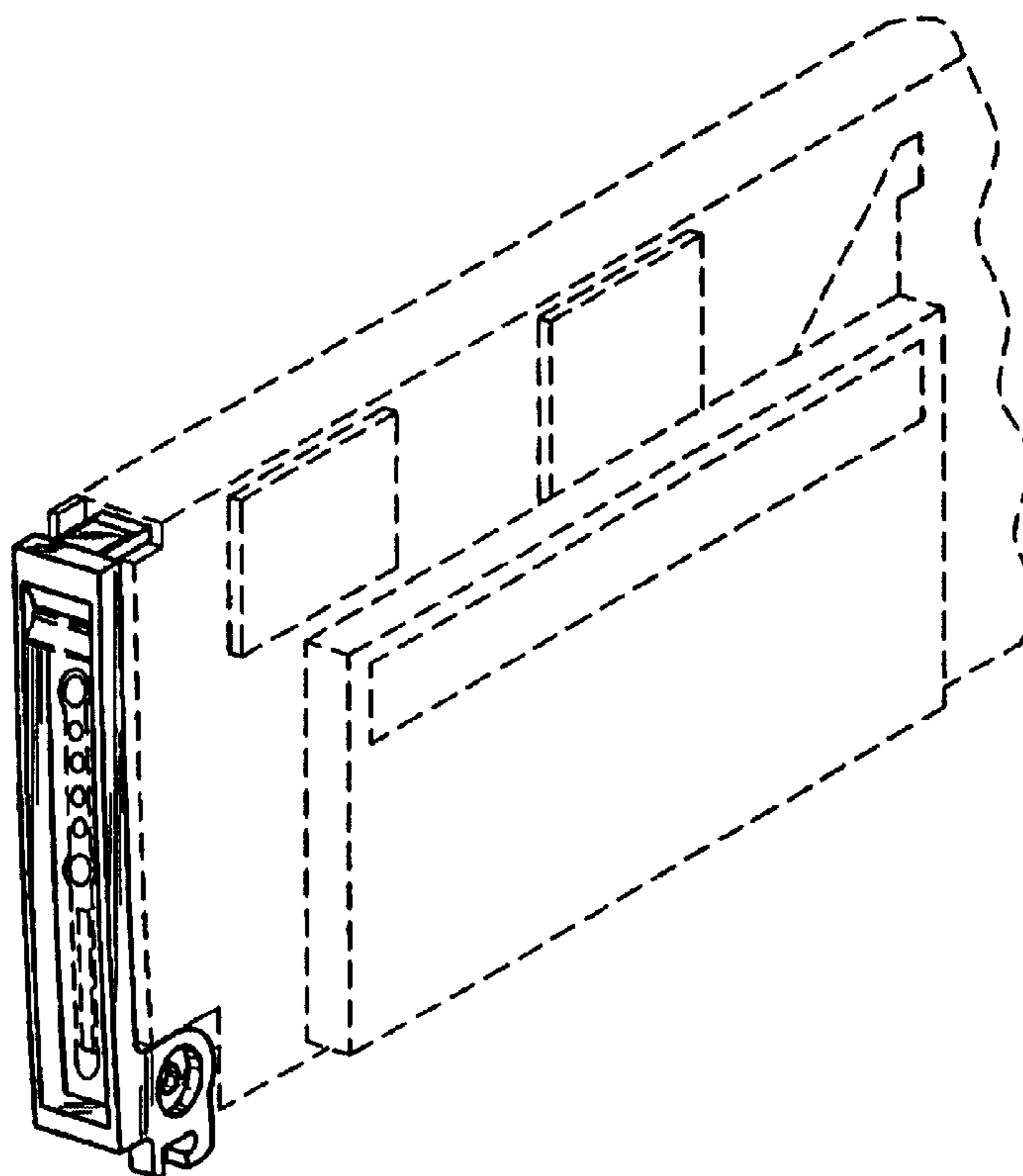
U.S. PATENT DOCUMENTS

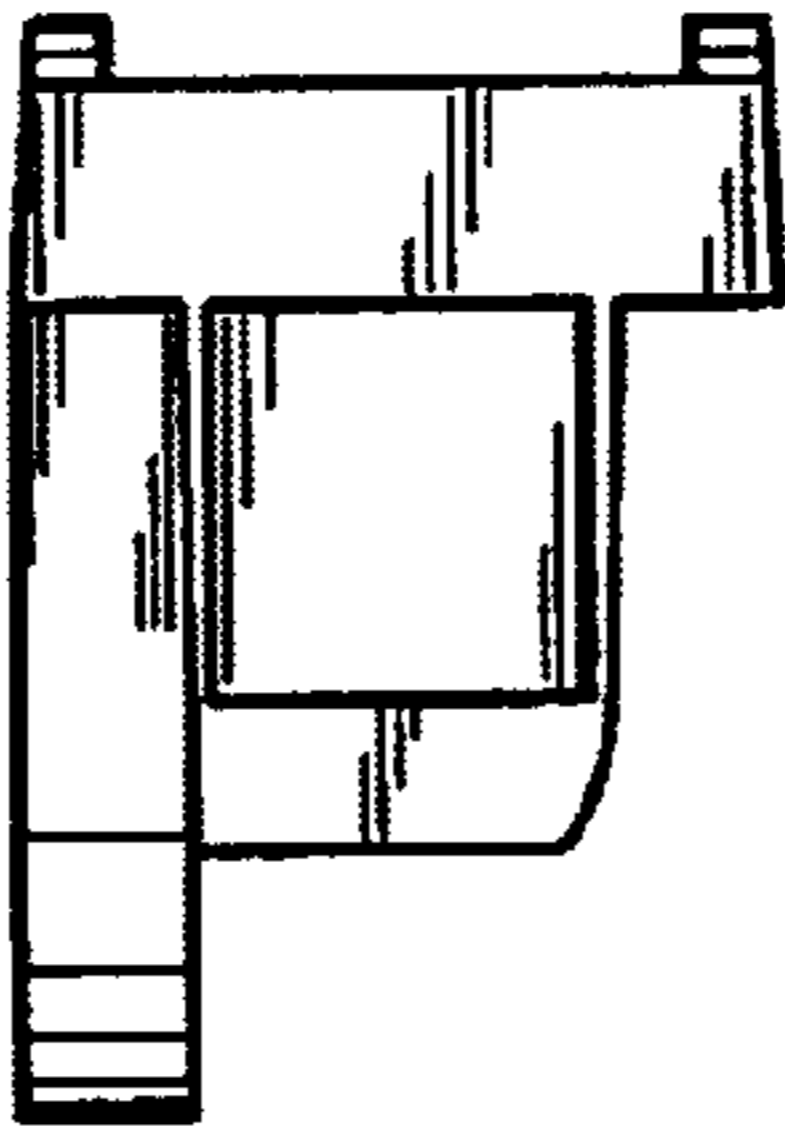
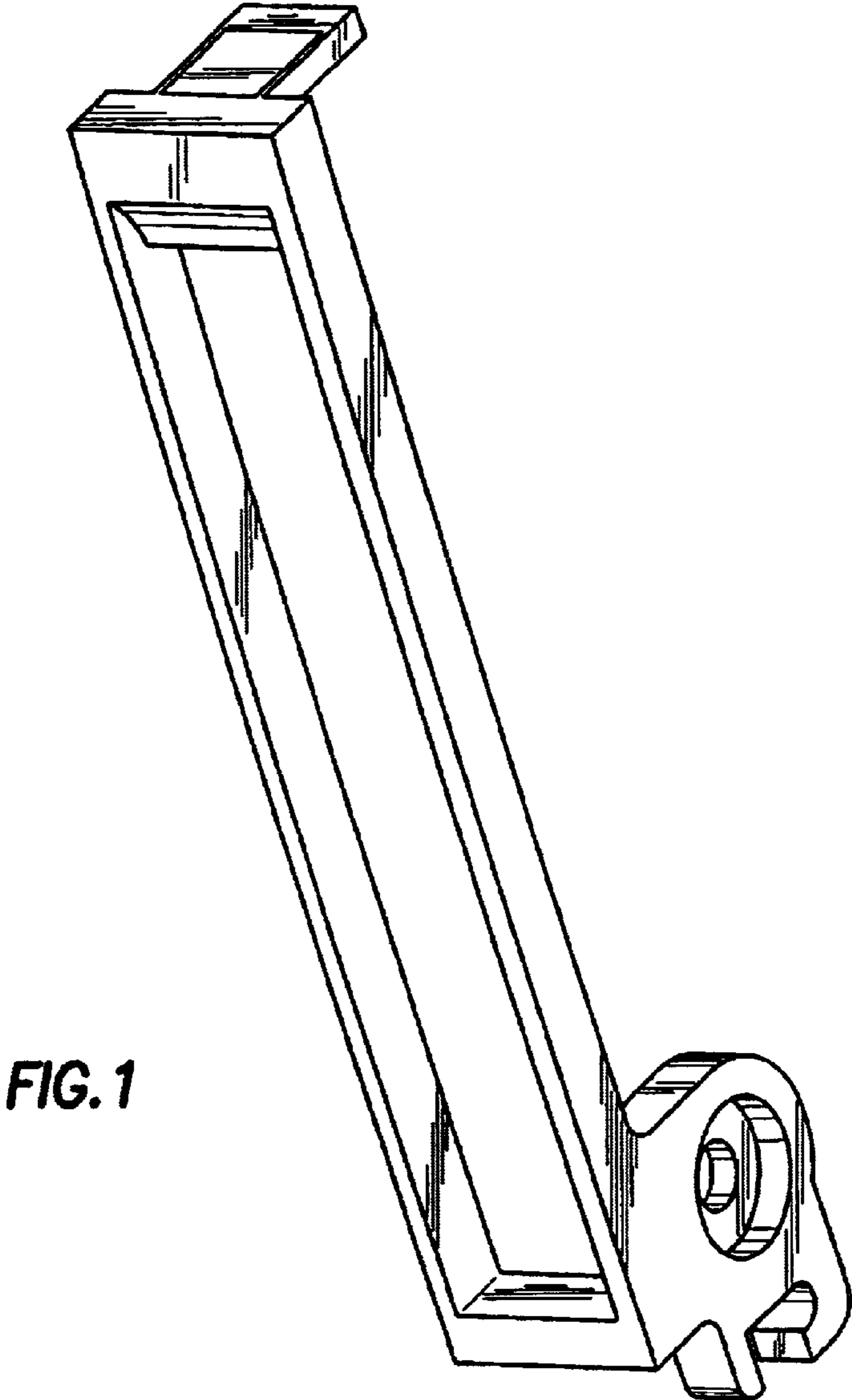
- 5,845,978 A * 12/1998 Jung
- 6,172,880 B1 * 1/2001 Petitpierre et al.
- 6,266,248 B1 * 7/2001 Hanas et al.
- D447,144 S * 8/2001 Chen
- 6,504,728 B1 * 1/2003 Cuong Dac Ta

FIG. 9 a top, front, right side perspective view thereof, on a reduced scale, the handle is shown in a closed position.

The broken line illustrations of a server blade in FIG. 8 and FIG. 9 are used to indicate environmental structure and form no part of the claimed design.

1 Claim, 4 Drawing Sheets





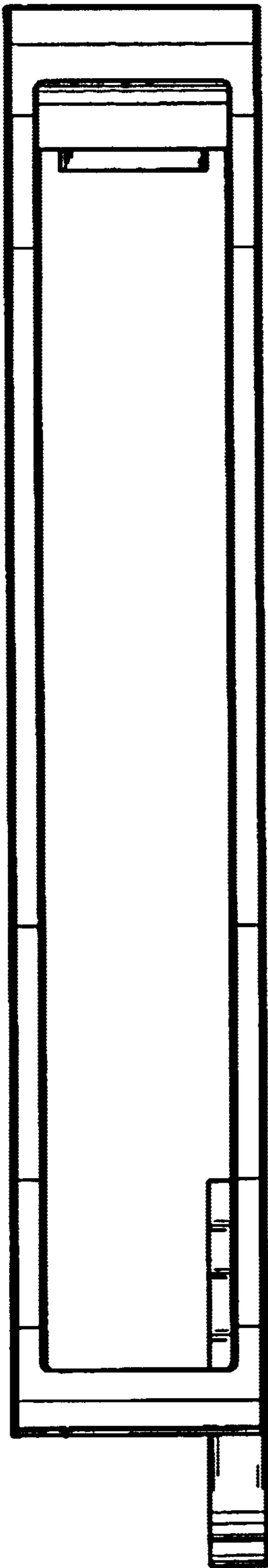


FIG. 3

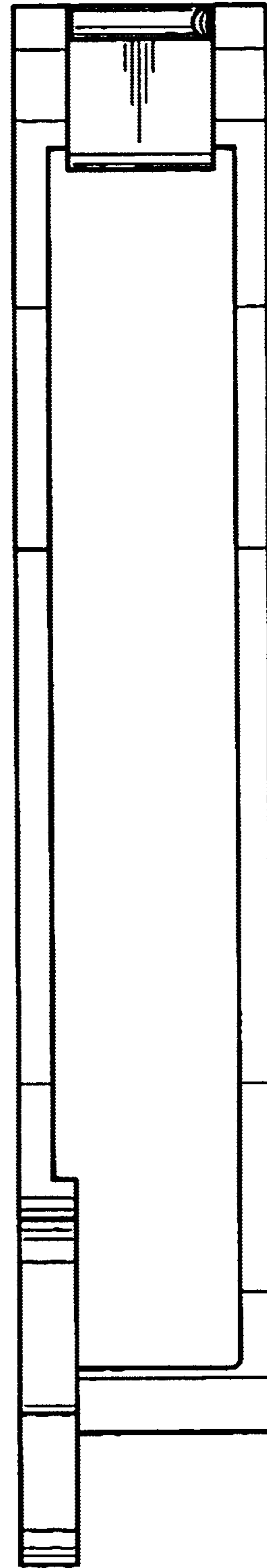


FIG. 4

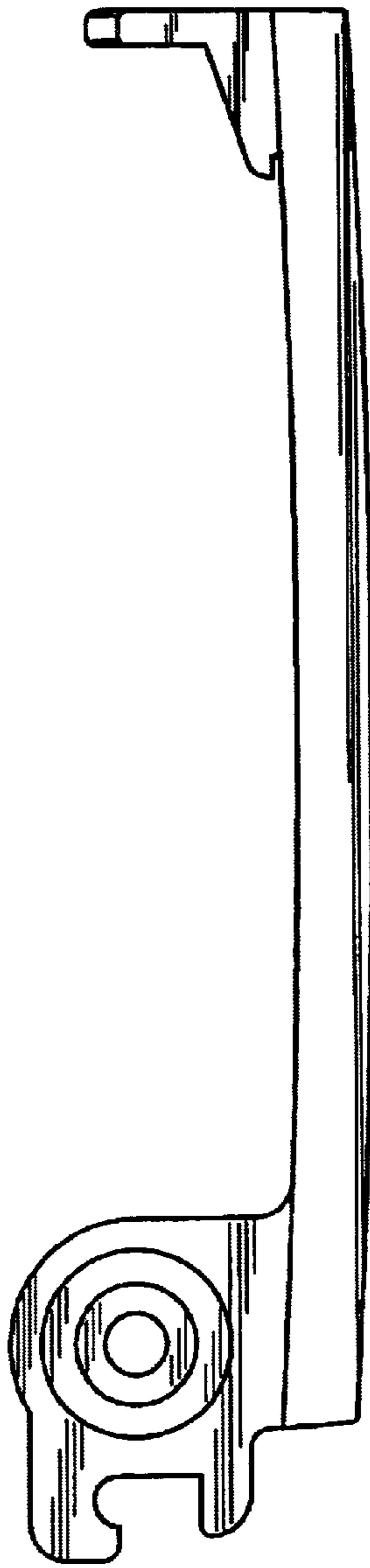


FIG.5

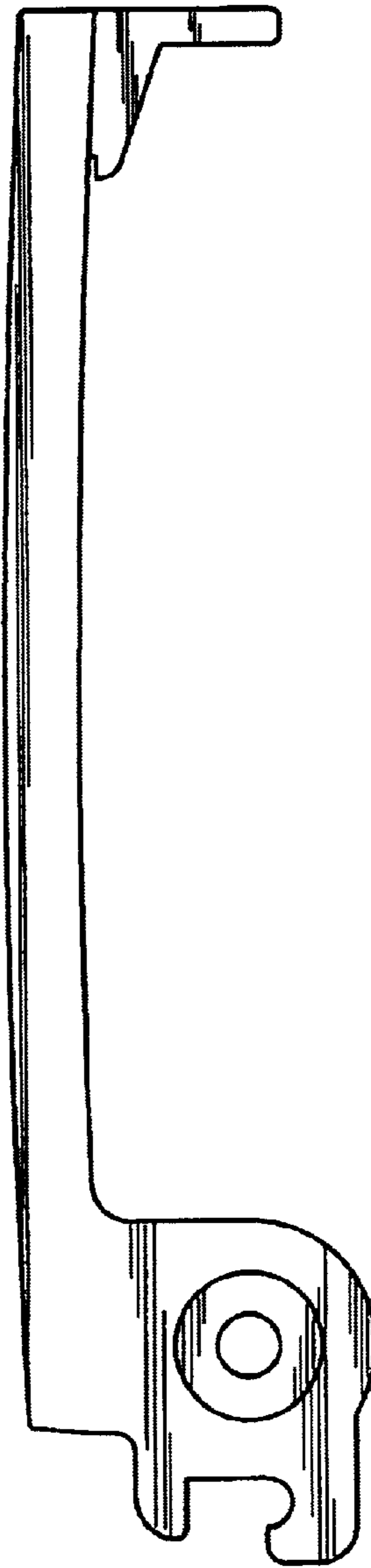


FIG.6

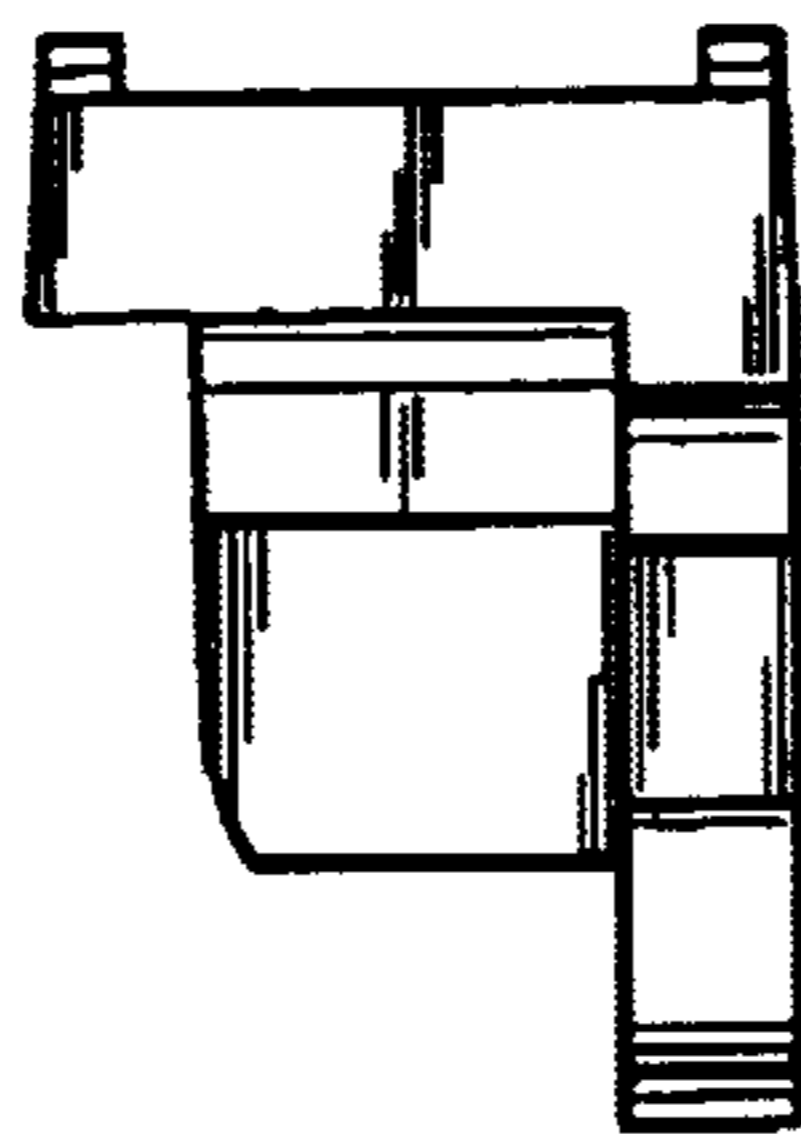


FIG.7

