

US00D494965S1

(12) **United States Design Patent** (10) **Patent No.:** **US D494,965 S**
Klimke (45) **Date of Patent:** **** Aug. 24, 2004**

(54) **PORTABLE INFORMATION PROCESSING DEVICE WITH DETACHABLE KEYBOARD**

(75) Inventor: **Jens Klimke**, Falkensee (DE)

(73) Assignee: **Tektronix International Sales GmbH**, Neuhausen am Rheinfall (CH)

(**) Term: **14 Years**

(21) Appl. No.: **29/170,441**

(22) Filed: **Nov. 4, 2002**

(30) **Foreign Application Priority Data**

May 22, 2002 (WO) DM/060 925

(51) **LOC (7) Cl.** **14-02**

(52) **U.S. Cl.** **D14/300; D14/328; D14/331**

(58) **Field of Search** D14/300, 313, D14/348-356, 328, 331; 312/223.2; 361/683, 724

(56) **References Cited**

U.S. PATENT DOCUMENTS

- D298,537 S * 11/1988 Walters, II et al. D14/328
- 4,832,419 A * 5/1989 Mitchell et al. 361/683 X
- D305,883 S * 2/1990 Burton D14/324
- 4,980,676 A * 12/1990 Nomura et al. 312/223.2 X
- D315,553 S * 3/1991 Davis et al. D14/328
- 5,058,045 A * 10/1991 Ma 361/683
- D326,846 S * 6/1992 Lerude D14/328
- 5,229,757 A * 7/1993 Takamiya et al. 345/168
- D347,626 S * 6/1994 Kreiner et al. D14/328
- D357,465 S * 4/1995 Iino D14/328
- D388,772 S * 1/1998 Cheng D14/328

* cited by examiner

Primary Examiner—Joel Sincavage

(74) *Attorney, Agent, or Firm*—Francis I. Gray

(57) **CLAIM**

The ornamental design for a portable information processing device with detachable keyboard, as shown and described.

DESCRIPTION

FIG. 1 is a perspective view of a portable information processing device with a detachable keyboard in a closed position according to the present invention.

FIG. 2 is a front view of the portable information processing device as shown in FIG. 1.

FIG. 3 is a top view of the portable information processing device as shown in FIG. 1.

FIG. 4 is a bottom view of the portable information processing device as shown in FIG. 1.

FIG. 5 is a left side view of the portable information processing device as shown in FIG. 1.

FIG. 6 is a right side view of the portable information processing device as shown in FIG. 1.

FIG. 7 is a rear view of the portable information processing device as shown in FIG. 1.

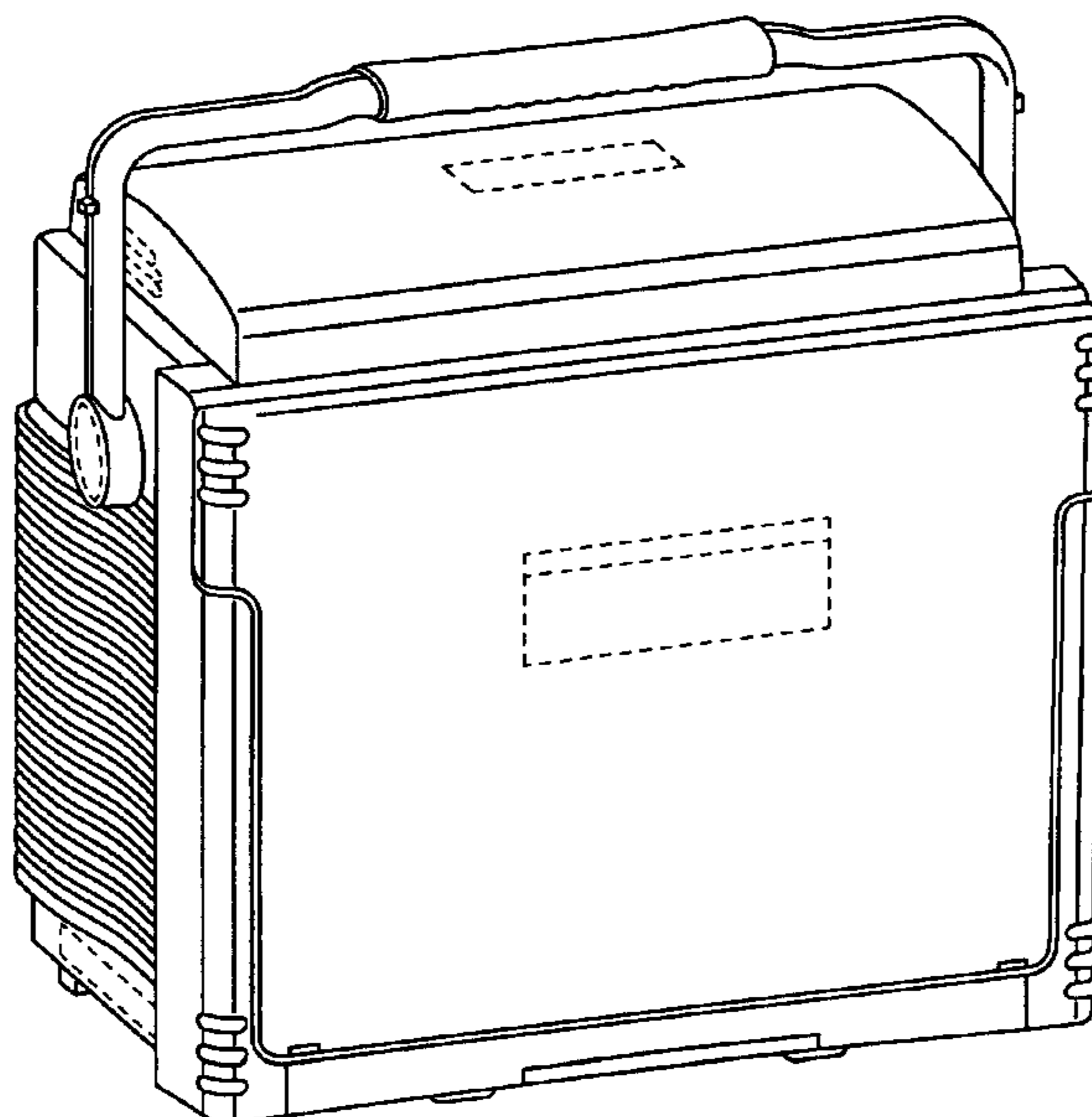
FIG. 8 is a perspective view of the portable information processing device as shown in FIG. 1 with the top cover removed and the keyboard detached. The bottom front support leg of the device is extended and the rear support legs of the keyboard are extended.

FIG. 9 is a right side view of the portable information processing device as shown in FIG. 8 with the keyboard support legs recessed; and,

FIG. 10 is top view of the portable information processing device as shown in FIG. 8 with the keyboard functionally connected.

The broken lines throughout the drawing figures are included for the purpose of illustrating a portions of the device that form no part of the claimed design.

1 Claim, 7 Drawing Sheets



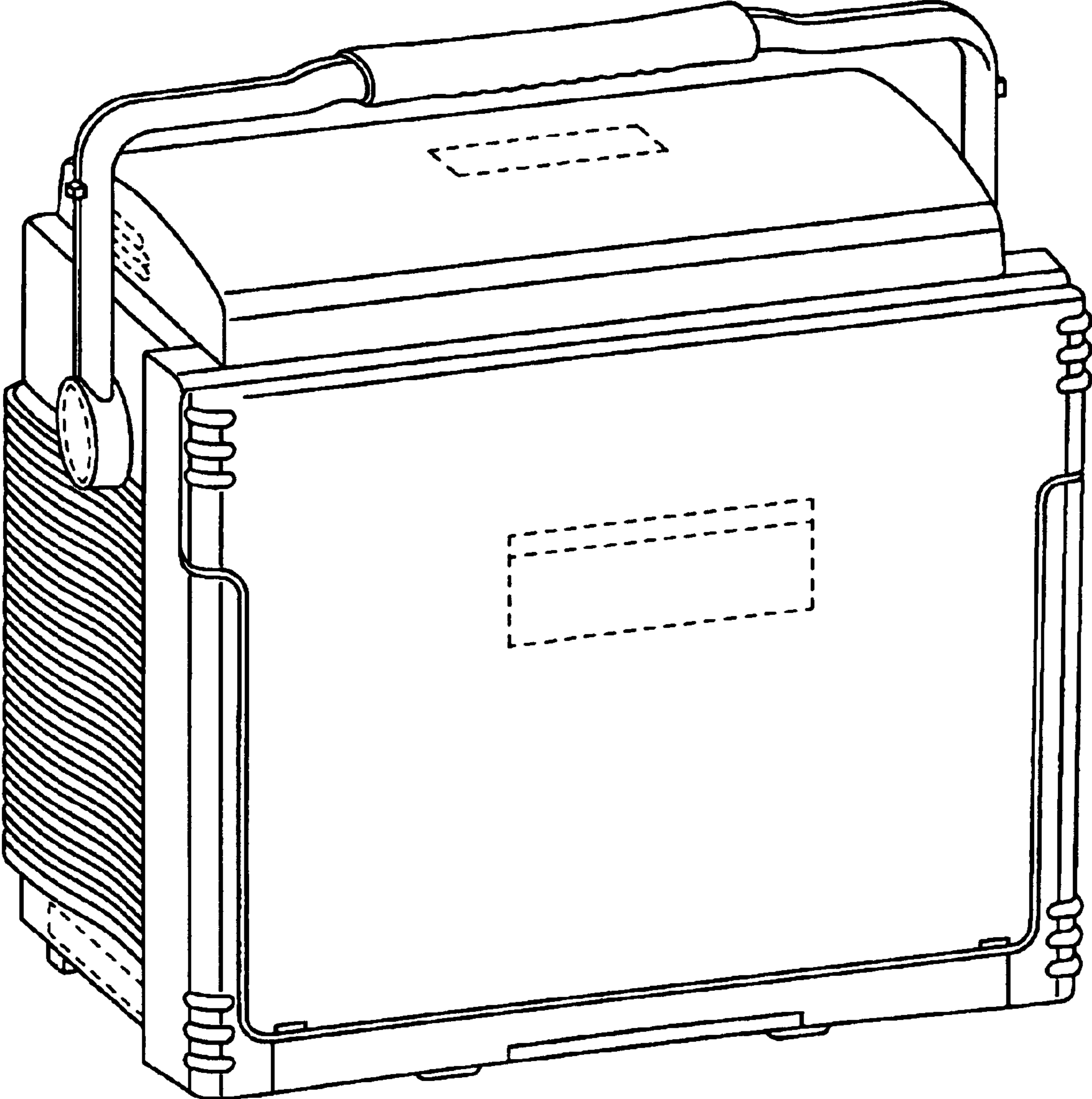


FIG. 1

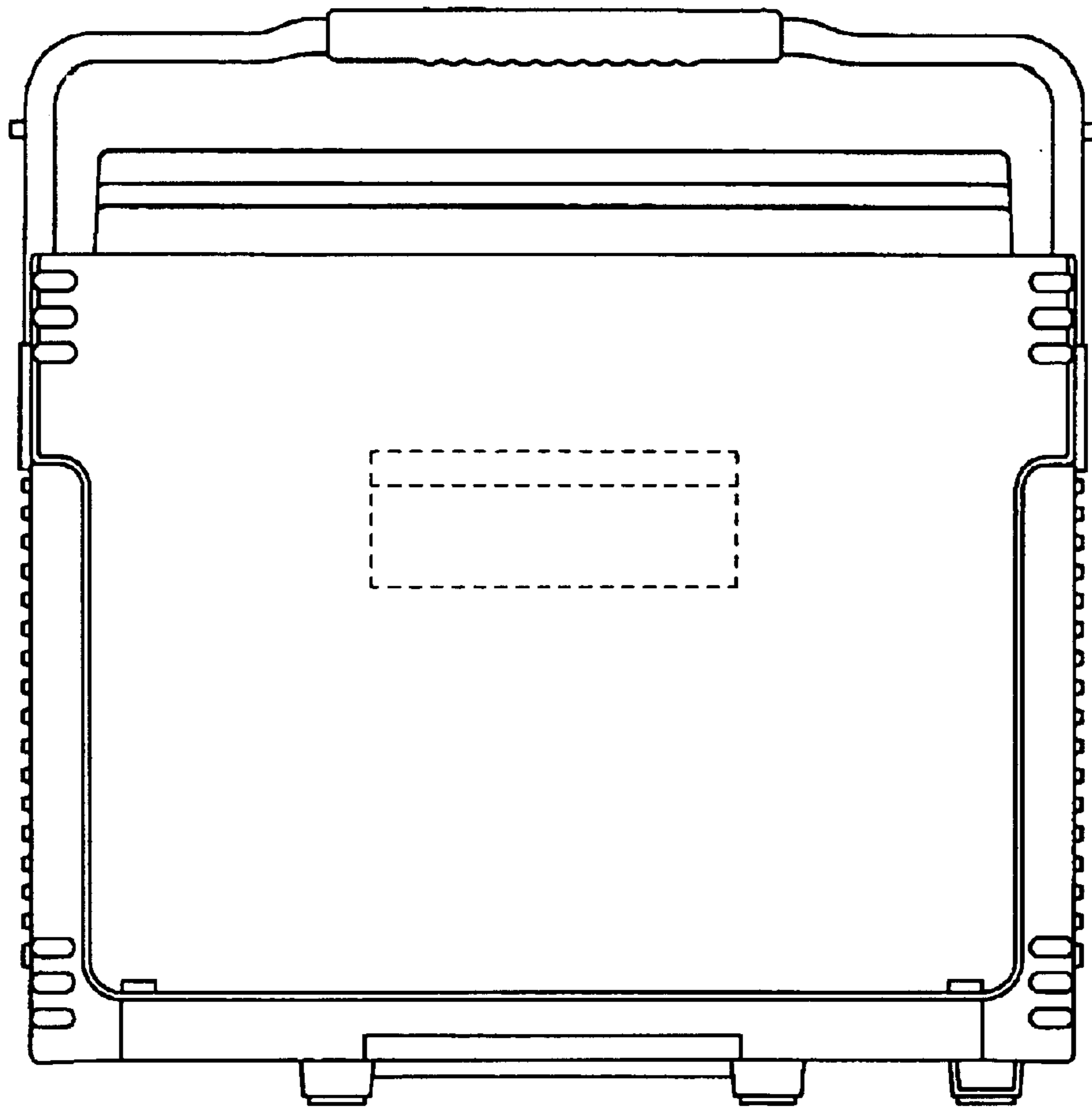


FIG. 2

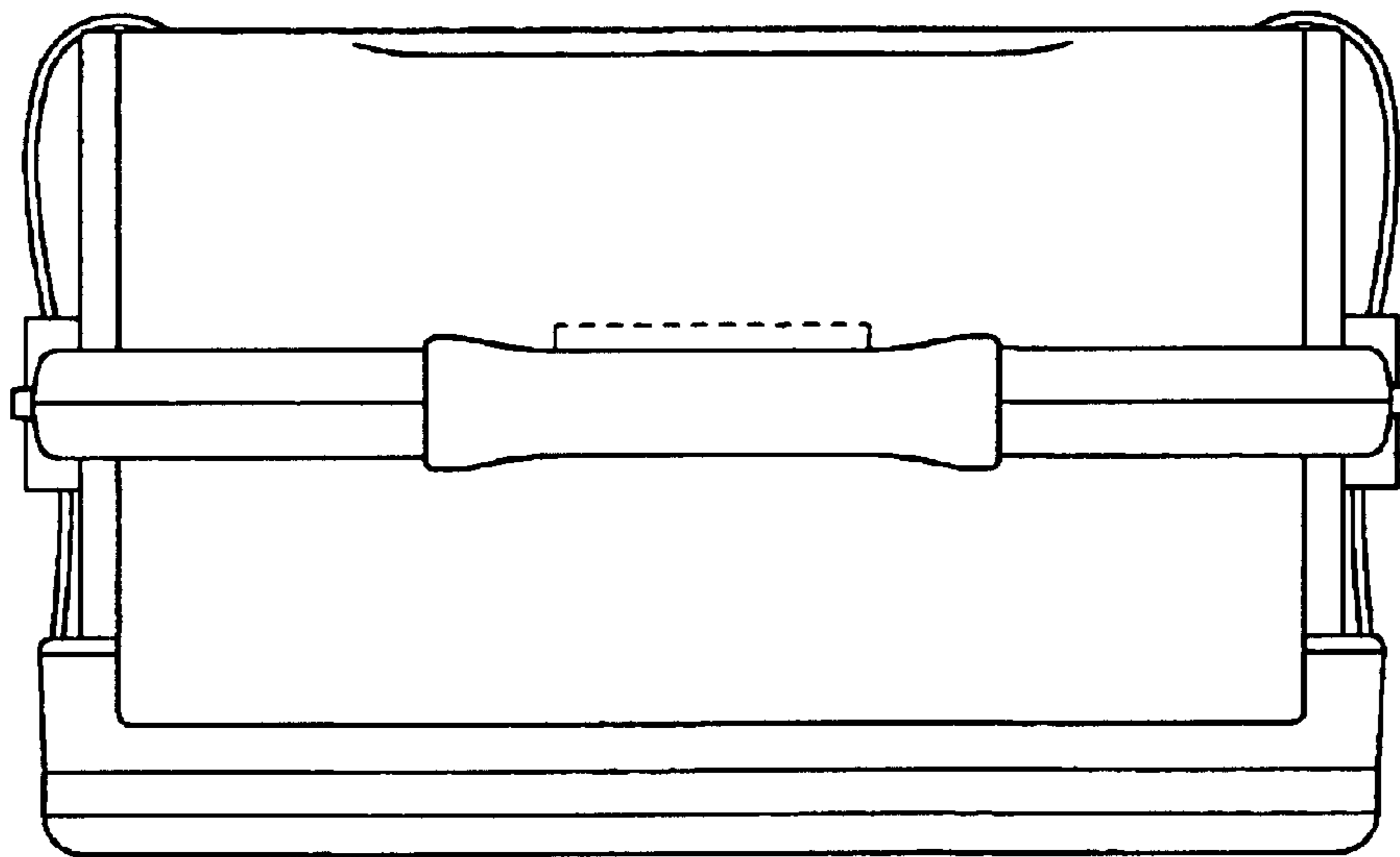


FIG. 3

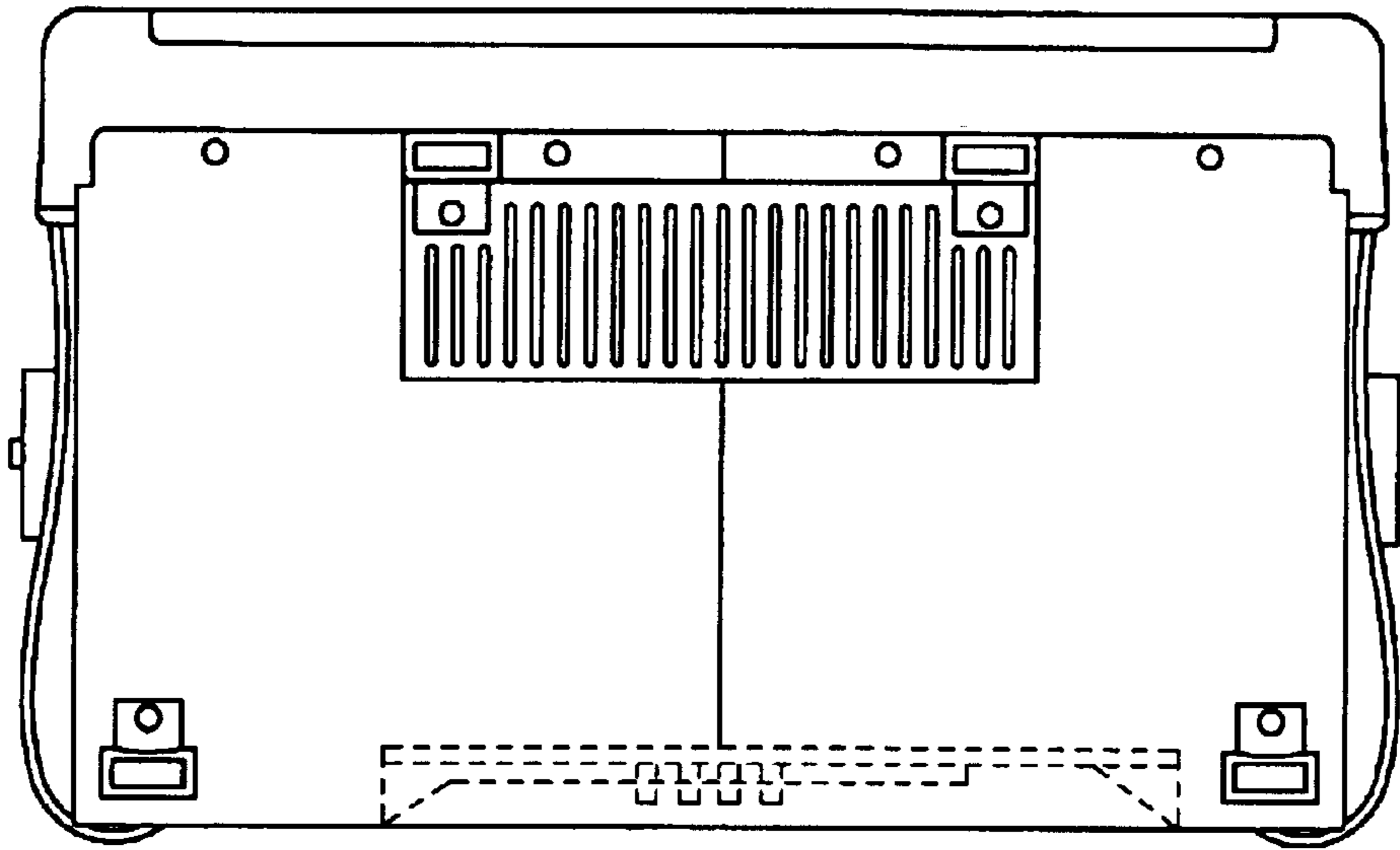


FIG. 4

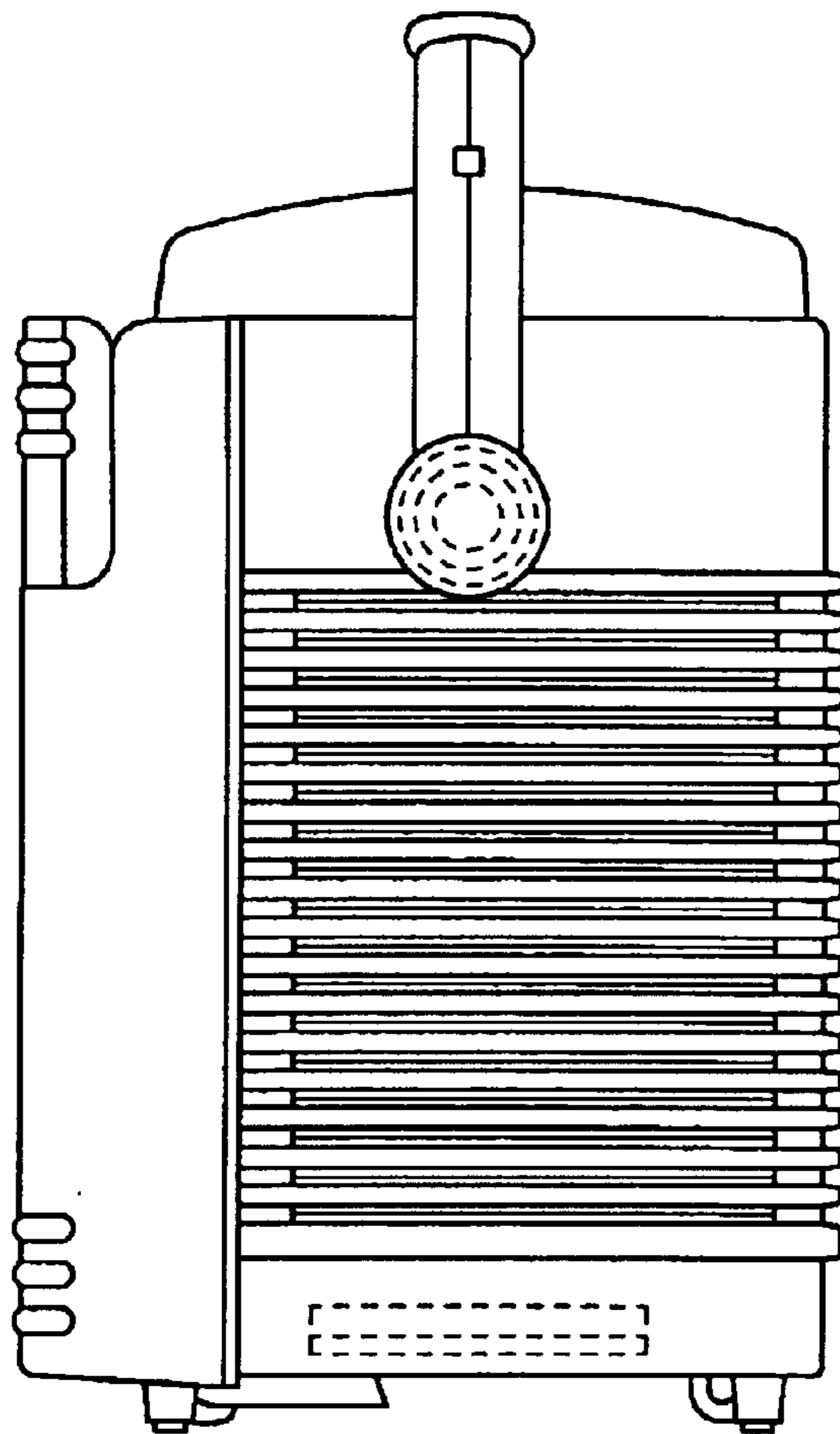


FIG. 5

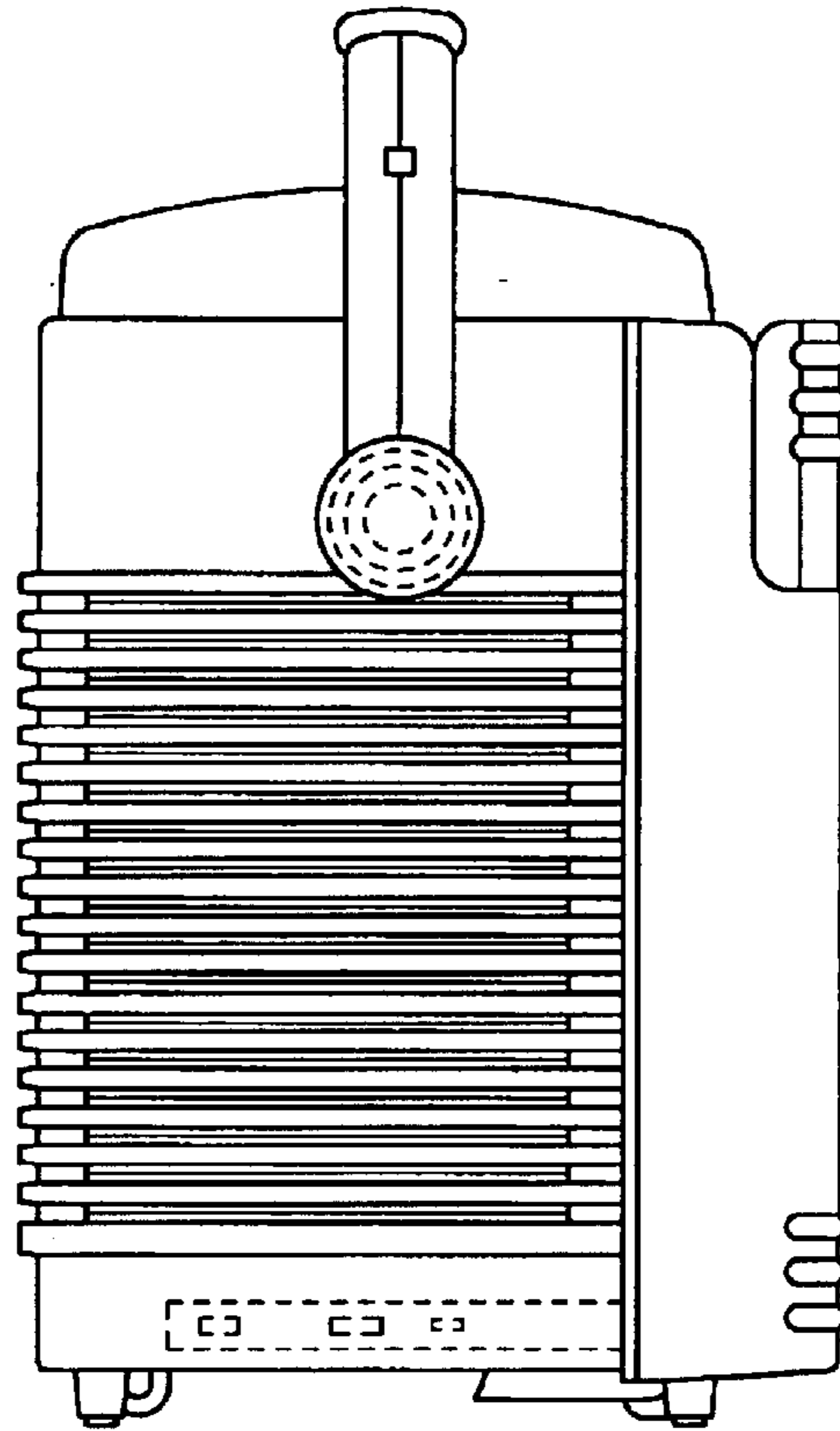


FIG. 6

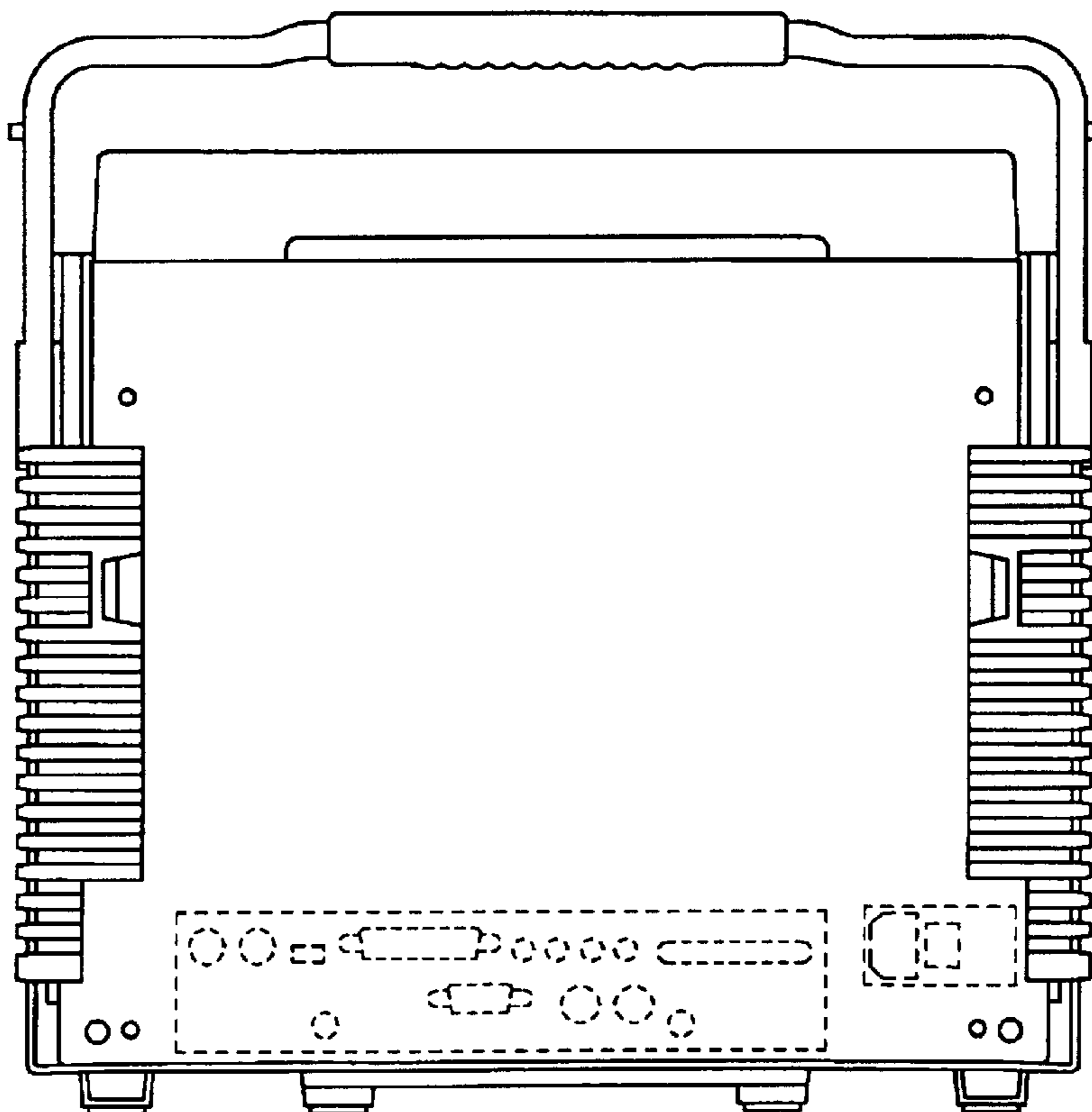


FIG. 7

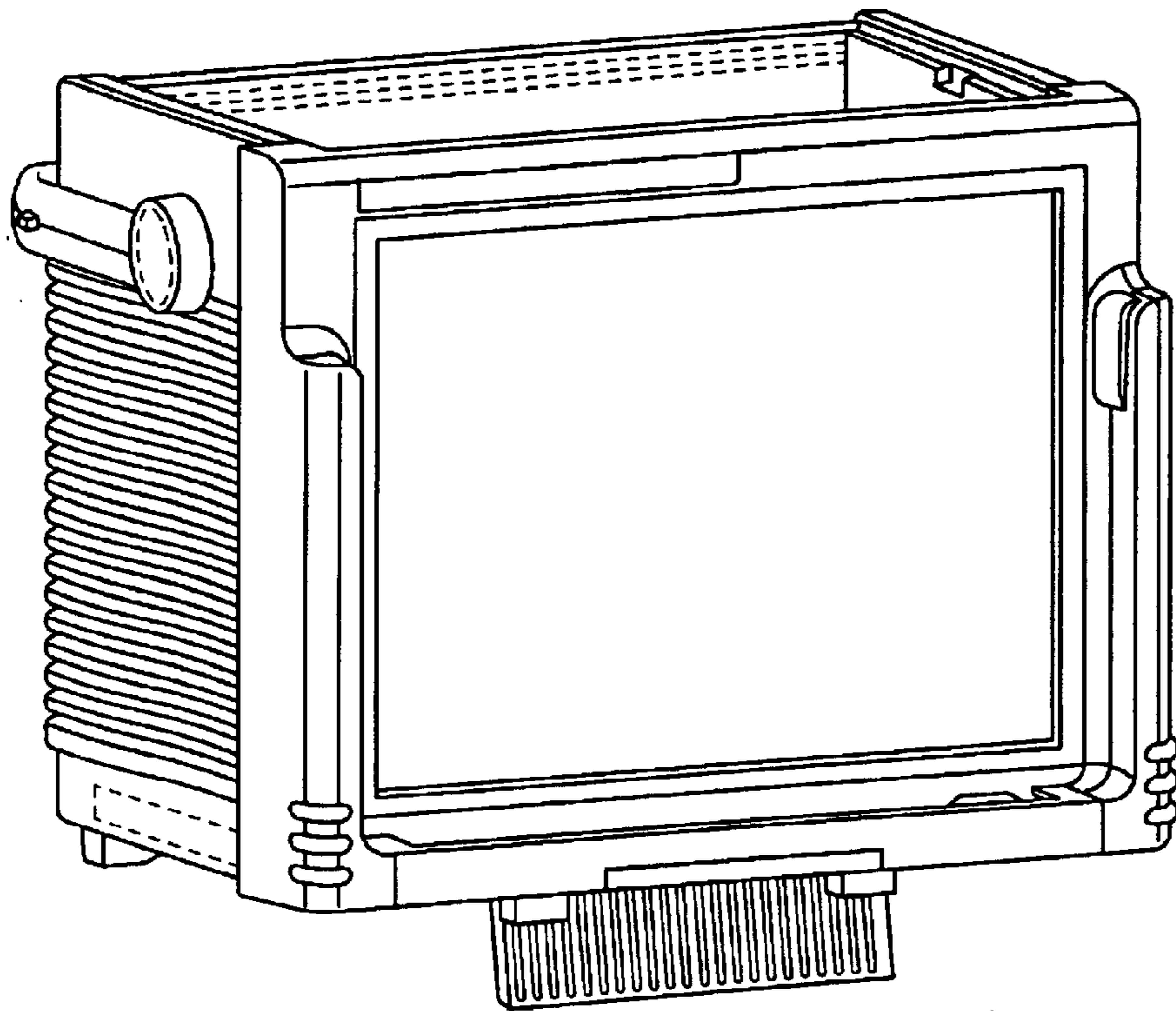
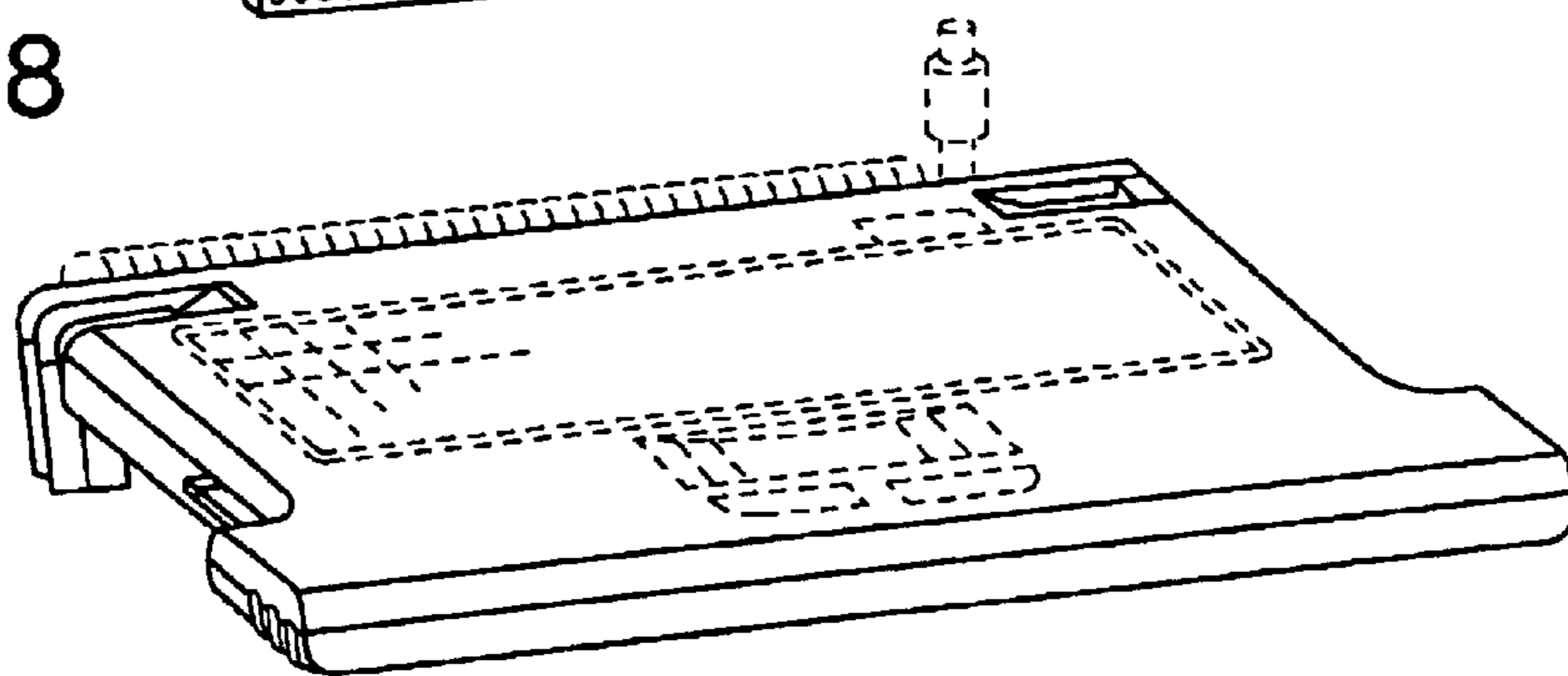


FIG. 8



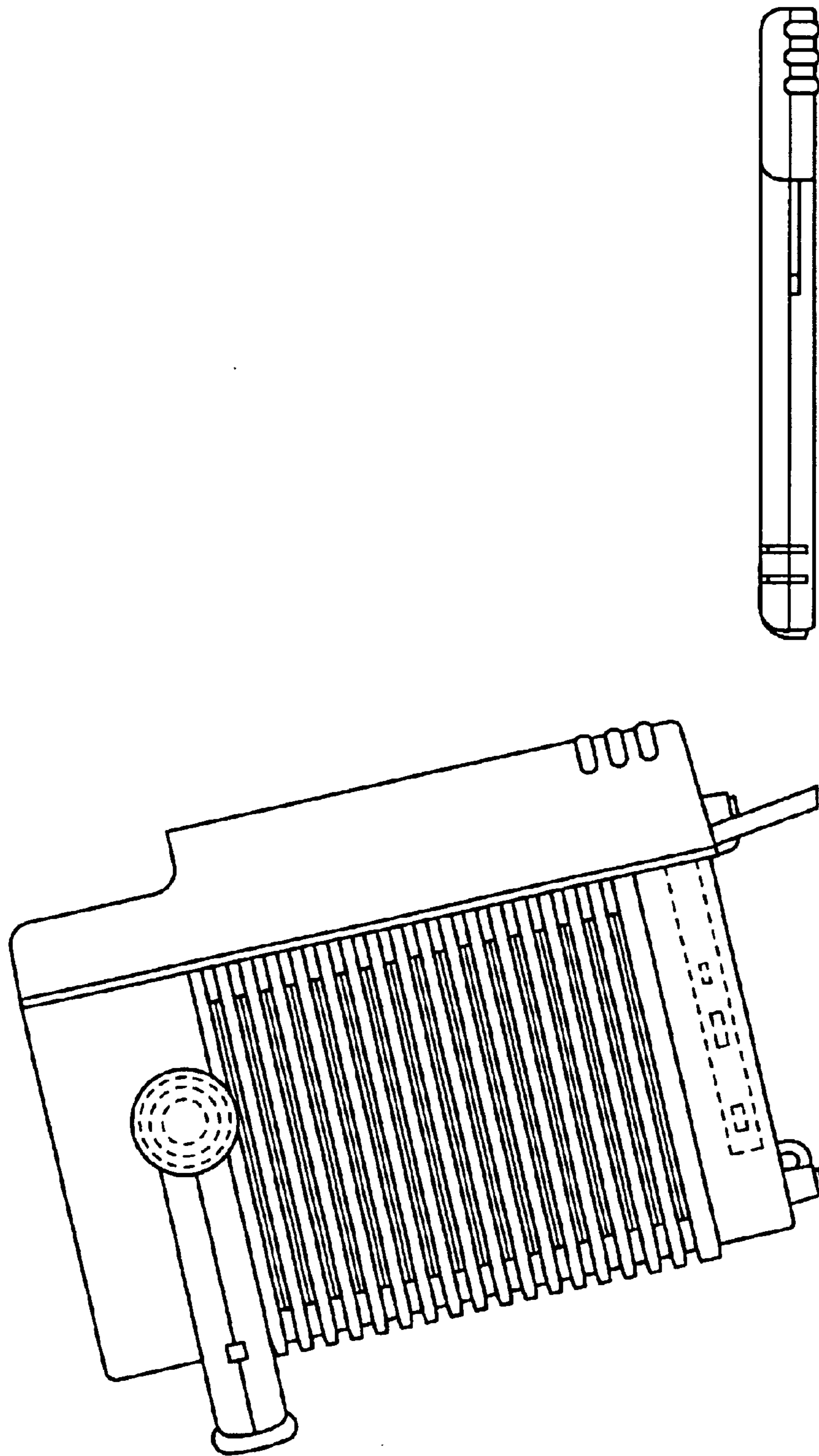


FIG. 9

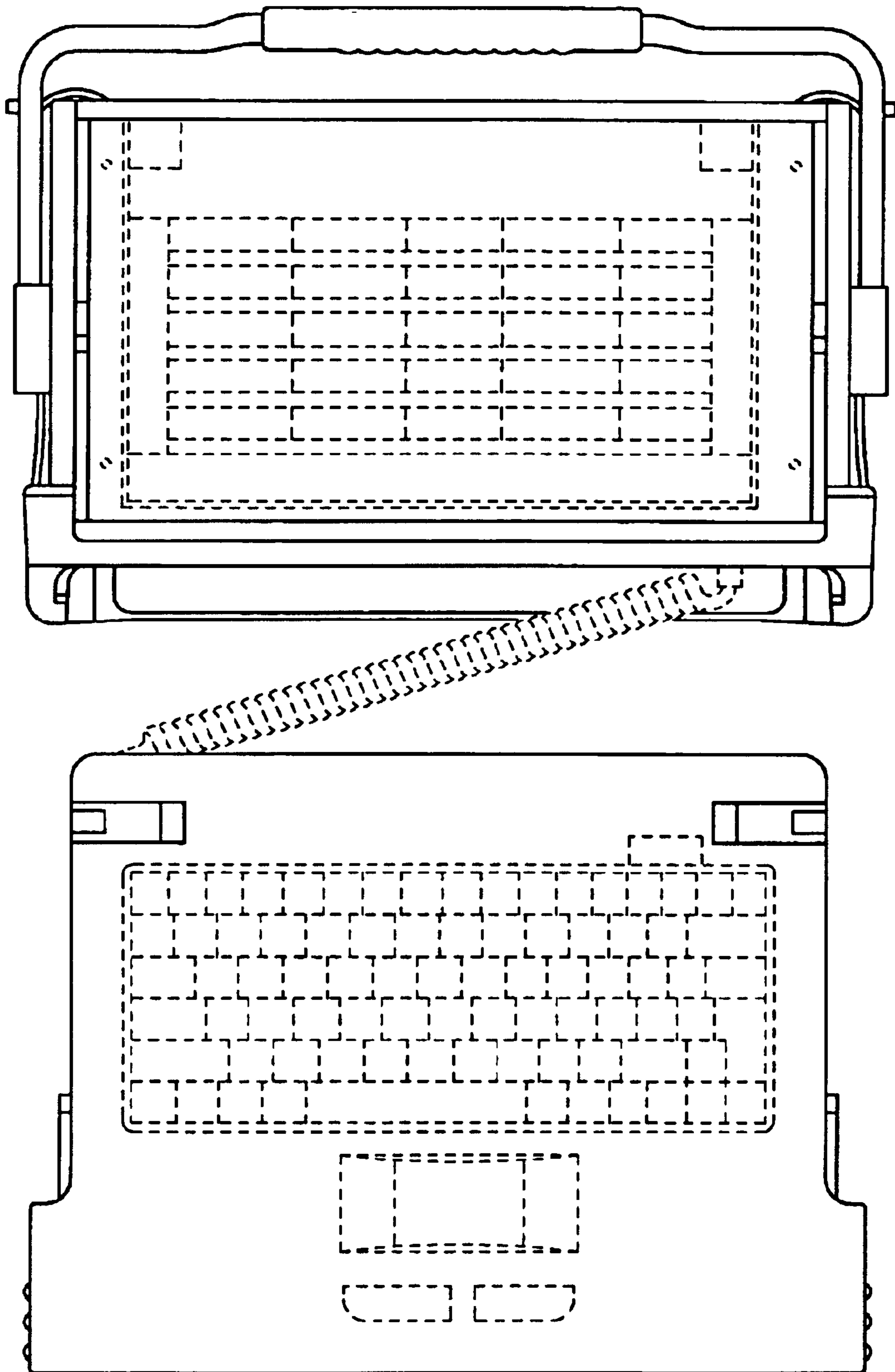


FIG. 10