

US00D494963S1

(12) **United States Design Patent** (10) **Patent No.:** **US D494,963 S**
Schwimmer et al. (45) **Date of Patent:** **** Aug. 24, 2004**

(54) **PHONE HOLDER**

(75) Inventors: **Alan Schwimmer**, Northbrook, IL
 (US); **Voyteck Skuza**, Park Ridge, IL
 (US); **Michael B. Grimm**, Evanston, IL
 (US); **Michael E. Beatty**, Naperville, IL
 (US)

(73) Assignee: **Safco Corporation**, Skokie, IL (US)

(**) Term: **14 Years**

(21) Appl. No.: **29/185,468**

(22) Filed: **Jun. 26, 2003**

(51) **LOC (7) Cl.** **14-03**

(52) **U.S. Cl.** **D14/253**

(58) **Field of Search** D14/137, 434,
 D14/138, 447, 148, 147, 149-151, 140-142,
 240, 241, 251-253, 451, 218; 379/426,
 449, 419, 420.01-420.04, 428.01-428.04,
 440, 454, 455, 446; 455/550.1-90.3; D13/107,
 108; 224/670, 197, 271; D3/218; 248/221.11,
 231.81; 320/110-115

(56) **References Cited**

U.S. PATENT DOCUMENTS

5,033,709 A * 7/1991 Yuen 248/313
 5,060,260 A * 10/1991 O'Connell 379/454
 5,142,573 A * 8/1992 Umezawa 379/454
 5,179,590 A * 1/1993 Wang 379/454
 5,187,744 A * 2/1993 Richter 379/449
 5,305,381 A * 4/1994 Wang et al. 379/455
 5,392,350 A * 2/1995 Swanson 379/446
 5,396,556 A * 3/1995 Chen 379/446
 5,471,530 A * 11/1995 Chen 379/446
 D368,268 S * 3/1996 Nichols et al. D14/251
 5,555,302 A * 9/1996 Wang 379/446
 D377,798 S * 2/1997 Heine D14/253
 D379,463 S * 5/1997 Richter D14/253

D379,819 S * 6/1997 Kelley et al. D14/253
 D390,849 S * 2/1998 Richter et al. D14/253
 D405,453 S * 2/1999 Richter D14/253
 D406,591 S * 3/1999 Richter D14/253
 5,903,645 A * 5/1999 Tsay 379/455
 D411,542 S * 6/1999 Richter D14/253
 5,982,885 A * 11/1999 Ho 379/446
 6,073,901 A * 6/2000 Richter 248/316.4
 6,229,891 B1 * 5/2001 Chen 379/446
 D456,024 S * 4/2002 Richter D14/434
 6,366,672 B1 * 4/2002 Tsay 379/446
 D468,733 S * 1/2003 Narducci et al. D14/253
 D476,621 S * 7/2003 Chunn et al. D13/108
 6,687,513 B1 * 2/2004 Hsu Li 455/557
 2002/0159587 A1 * 10/2002 Chang 379/454
 2002/0191782 A1 * 12/2002 Beger et al. 379/454

* cited by examiner

Primary Examiner—Jeffrey Asch

(74) *Attorney, Agent, or Firm*—Dillis V. Allen, Esq.

(57) **CLAIM**

The ornamental design for a phone holder, as shown.

DESCRIPTION

FIG. 1 is a perspective view of the present phone holder design;

FIG. 2 is a left side view of the present phone holder design shown in FIG. 1;

FIG. 3 is a right side view of the phone holder design shown in FIG. 1;

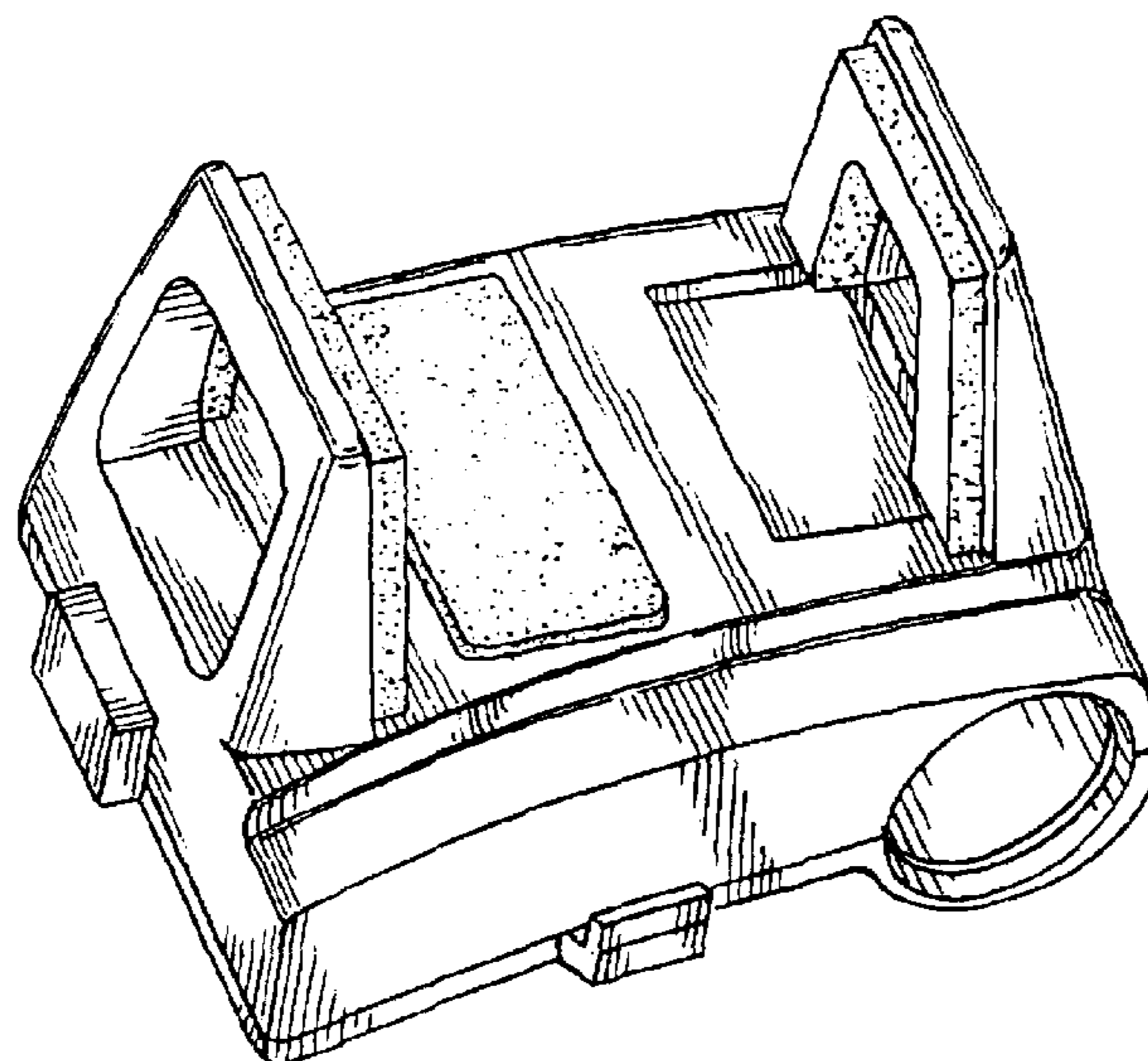
FIG. 4 is a top view of the phone holder design illustrated in FIG. 1;

FIG. 5 is a front view of the phone holder design illustrated in FIG. 1;

FIG. 6 is a bottom view of the phone holder design illustrated in FIG. 1; and,

FIG. 7 is a rear view of the phone holder design illustrated in FIG. 1.

1 Claim, 3 Drawing Sheets



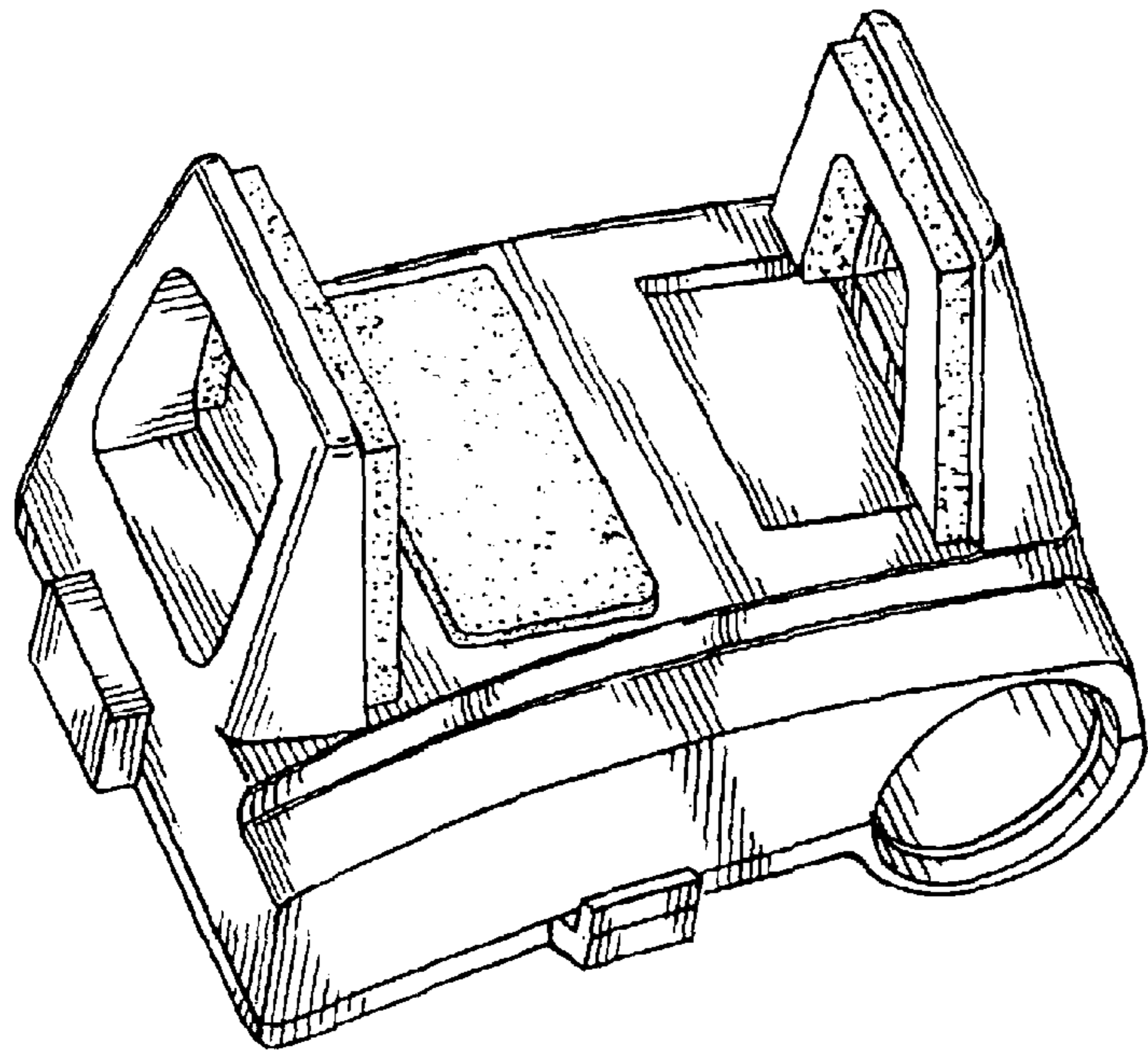


Fig. 1

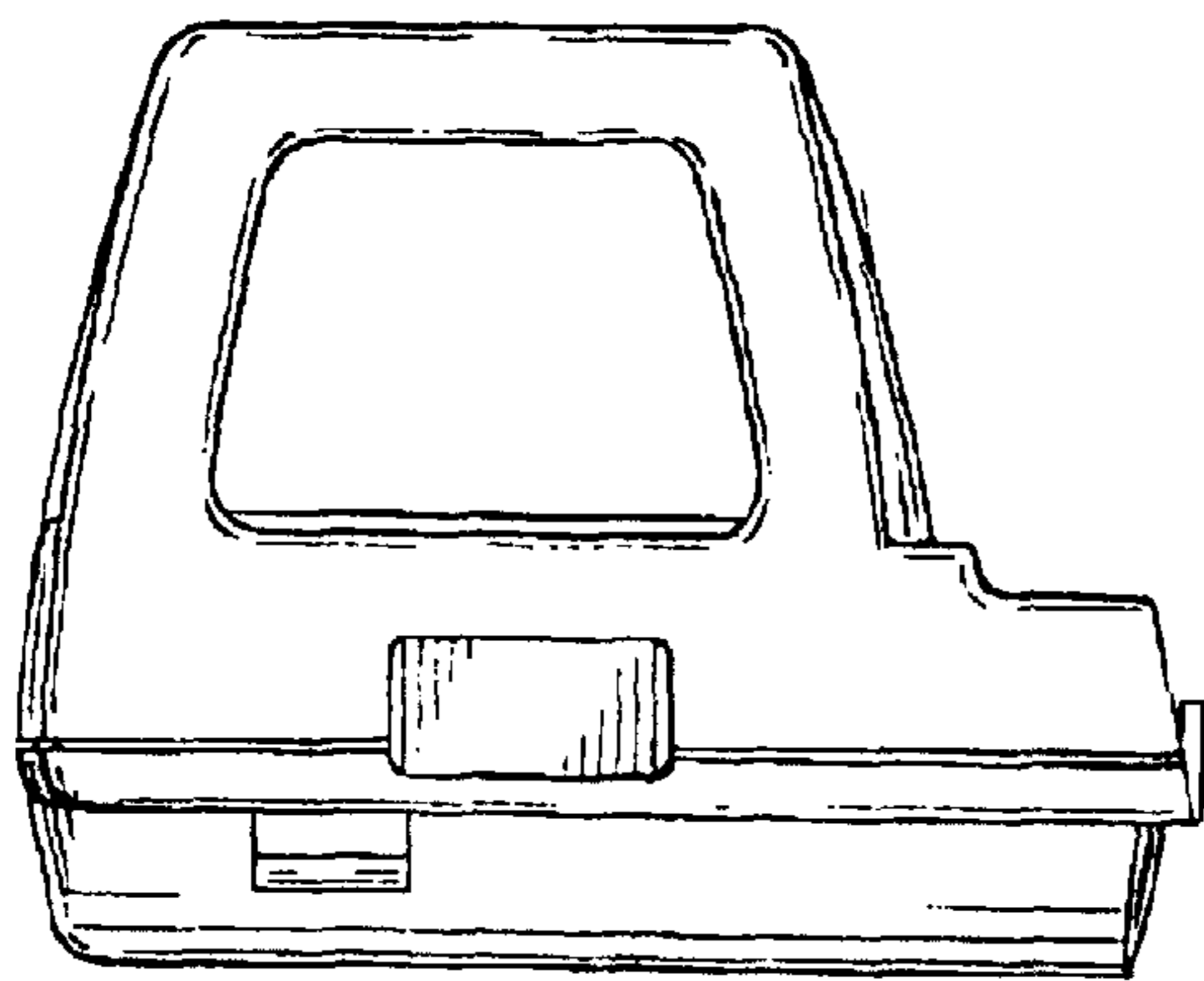


Fig. 2

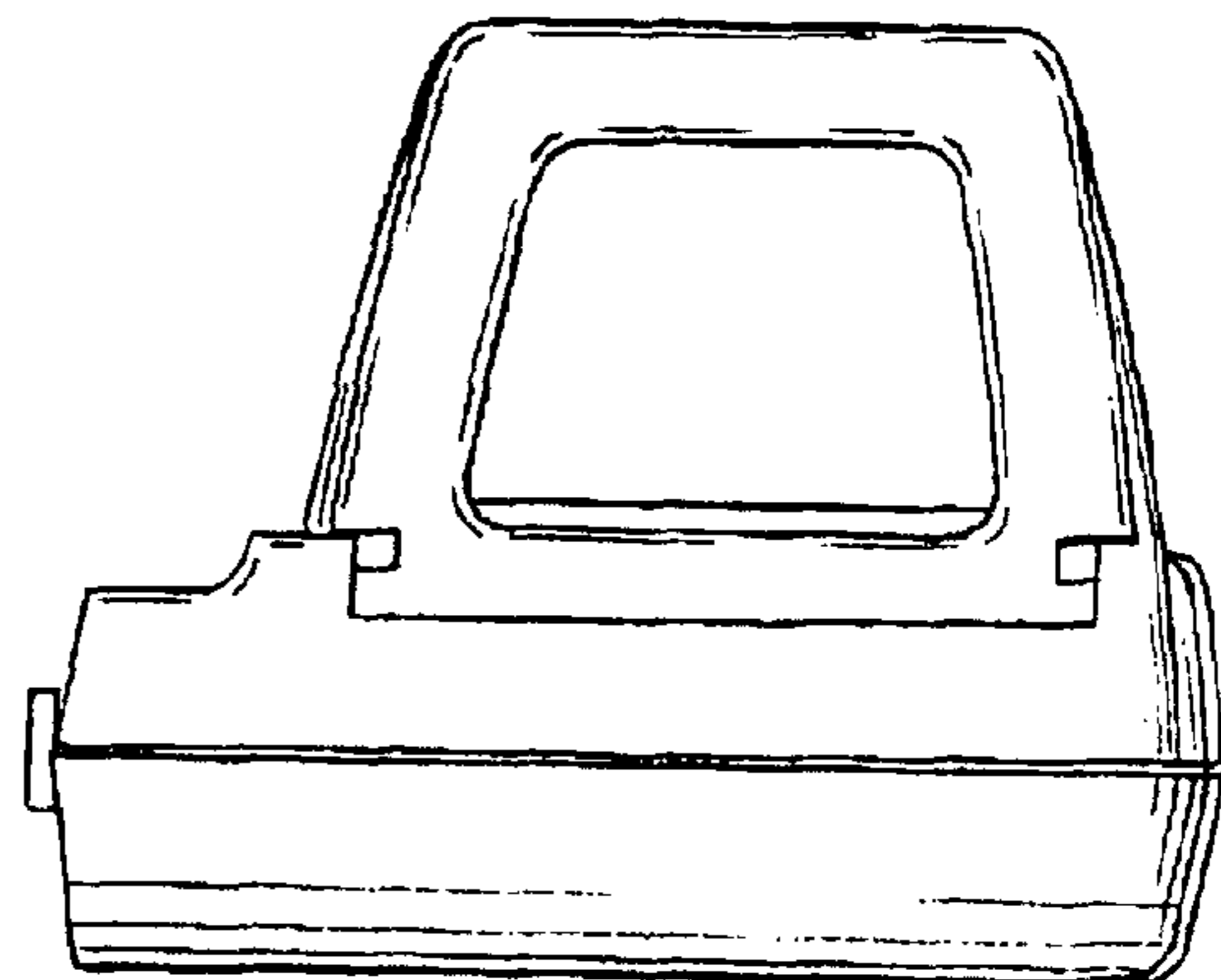


Fig. 3

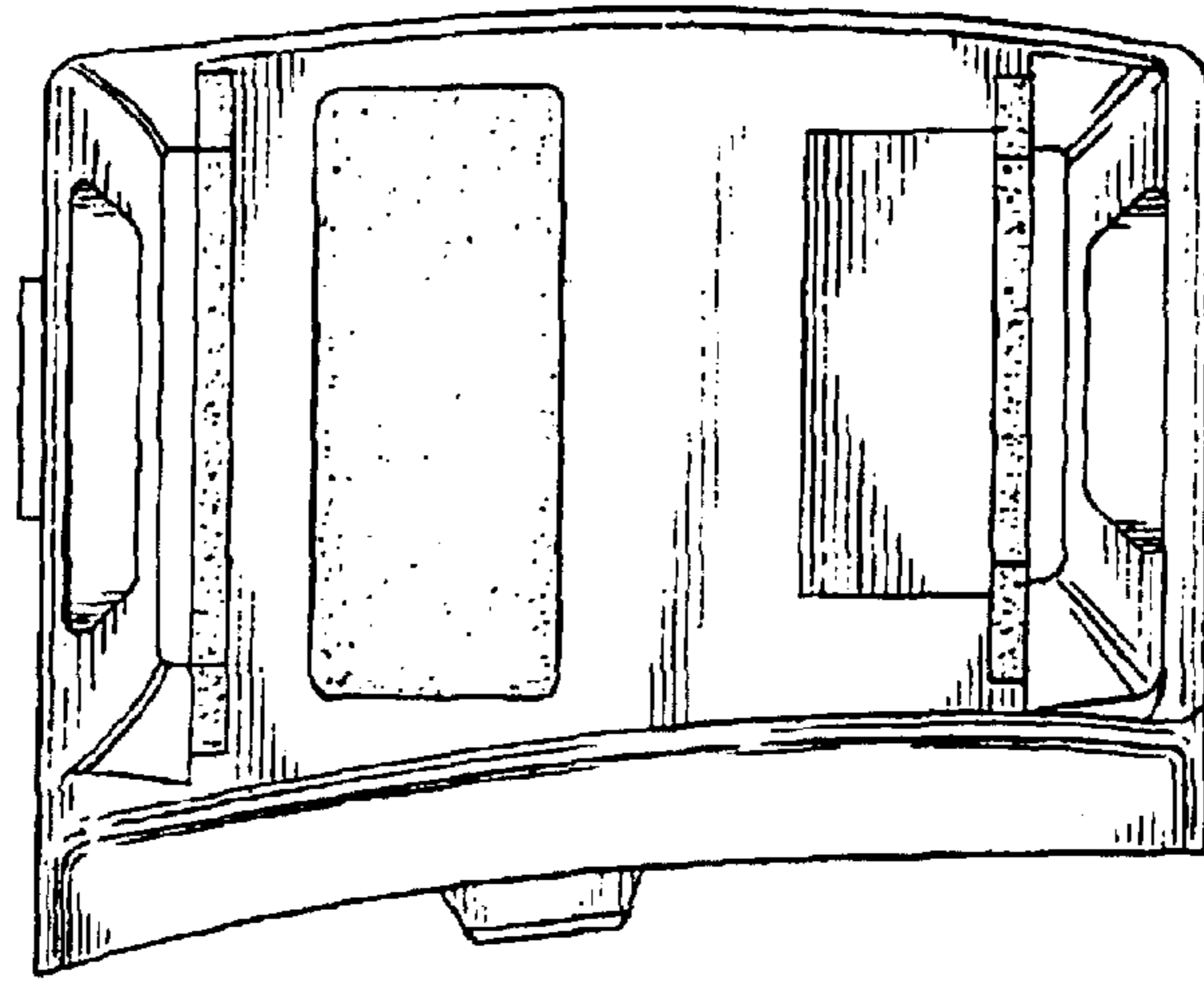


Fig. 4

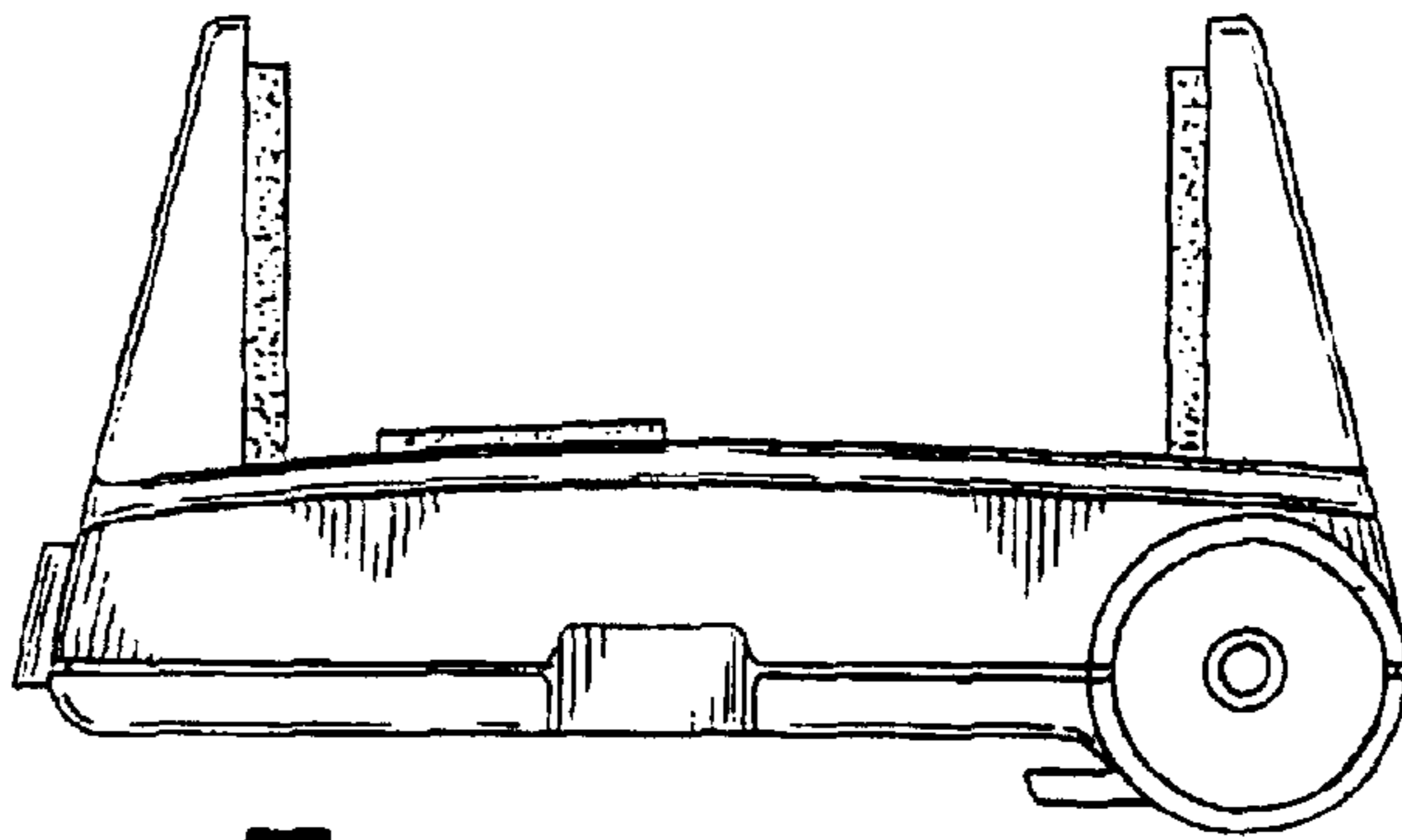


Fig. 5

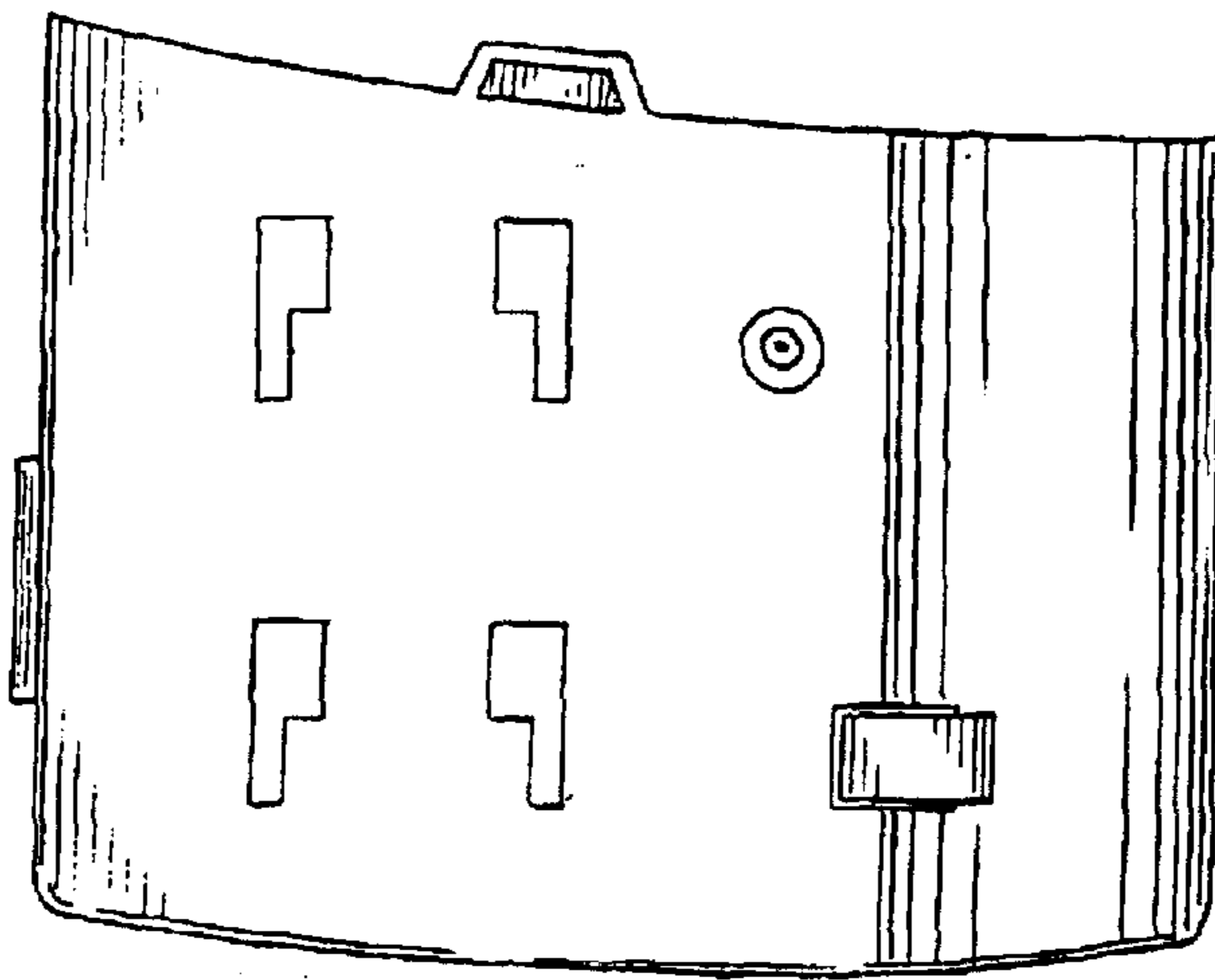


Fig. 6

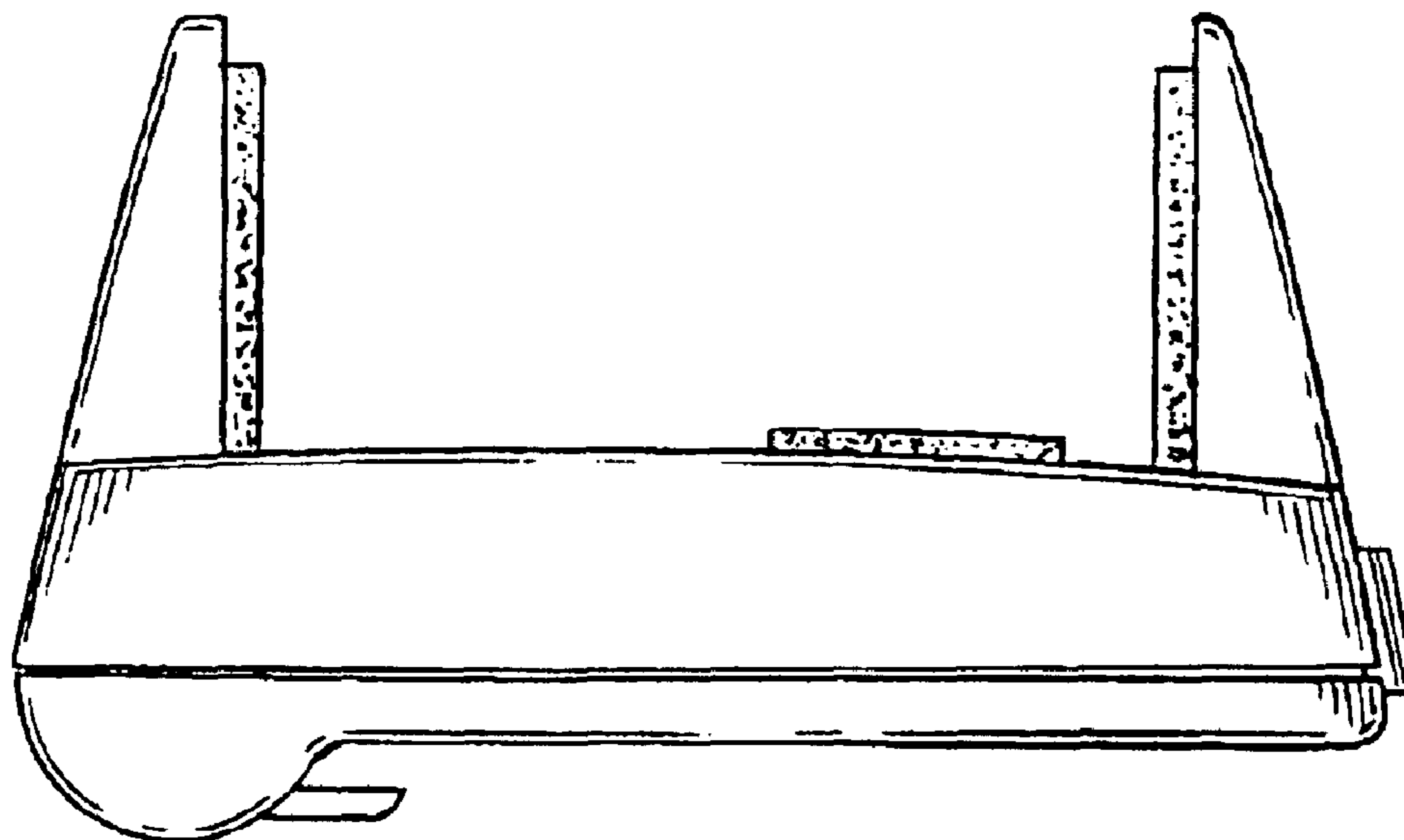


Fig. 7