

US00D494962S1

(12) **United States Design Patent**
Shen

(10) **Patent No.: US D494,962 S**

(45) **Date of Patent: ** Aug. 24, 2004**

(54) **HANDS FREE KIT**

(76) **Inventor: Ming-Ying Shen**, 8F, No. 196-8, Sec. 3, Tatung Rd., Shijr, Taipei Hsien (TW)

(**) **Term: 14 Years**

(21) **Appl. No.: 29/169,909**

(22) **Filed: Oct. 29, 2002**

(51) **LOC (7) Cl. 14-03**

(52) **U.S. Cl. D14/253; D14/243**

(58) **Field of Search** D14/137, 138, D14/218, 147-148, 243, 247-248, 253, 144, 155, 159, 341-347, 358, 188, 192-198, 205, 206, 223, 225, 226, 228; 379/433.01-433.13, 419, 434, 428.01-428.04, 420.01-420.04, 440, 430; 455/550.1-90.3; D21/517; D3/208, 218; D10/104, 106

(56) **References Cited**

U.S. PATENT DOCUMENTS

D235,023 S	*	4/1975	Swayze	D14/229
5,230,016 A	*	7/1993	Yasuda	455/573
5,282,246 A	*	1/1994	Yang	379/455
5,396,556 A	*	3/1995	Chen	379/446
D360,210 S	*	7/1995	Rudkiewicz et al.	D14/253
5,471,530 A	*	11/1995	Chen	379/446
5,839,919 A	*	11/1998	Chen	439/529
D432,121 S	*	10/2000	Chen	D14/253
6,138,041 A	*	10/2000	Yahia	455/569.2
D437,845 S	*	2/2001	Lee	D14/253

6,229,891 B1	*	5/2001	Chen	379/446
D464,897 S	*	10/2002	Isetani et al.	D10/104
D467,911 S	*	12/2002	Lee	D14/243
D476,621 S	*	7/2003	Chunn et al.	D13/108
D479,228 S	*	9/2003	Sakaguchi et al.	D14/253
6,687,513 B1	*	2/2004	Hsu Li	455/557
2002/0159587 A1	*	10/2002	Chang	379/454
2003/0215087 A1	*	11/2003	Tsai	379/428.01

FOREIGN PATENT DOCUMENTS

DE	20018022 U	*	12/2000	B60R/11/02
DE	20018891 U	*	1/2001	H04M/1/11
WO	WO 9965210 A1	*	12/1999	H04M/1/04

* cited by examiner

Primary Examiner—Jeffrey Asch
(74) *Attorney, Agent, or Firm*—Bacon & Thomas

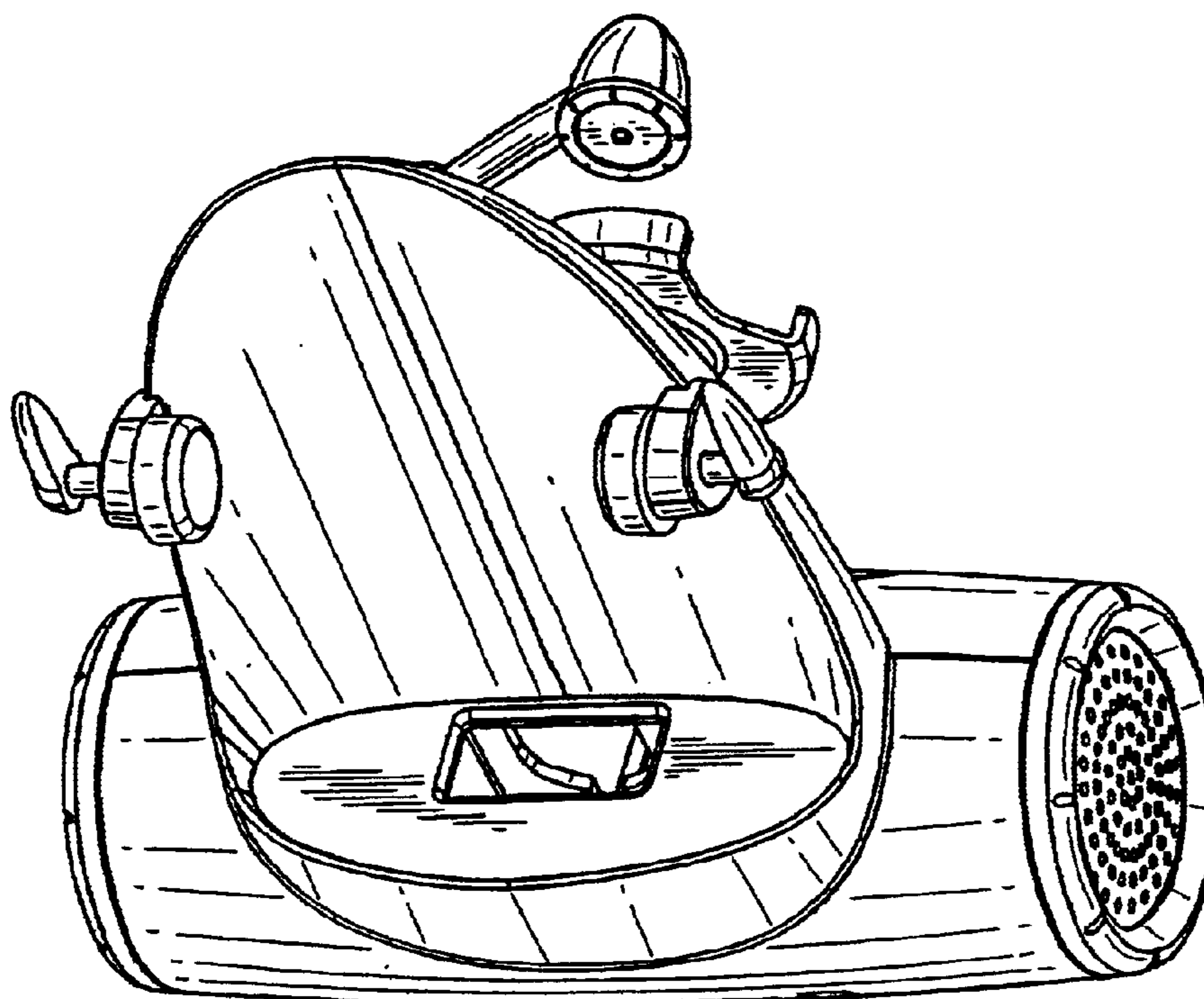
(57) **CLAIM**

The ornamental design for a hands free kit, as shown.

DESCRIPTION

FIG. 1 is a perspective view of an embodiment showing my new design;
FIG. 2 is a left side elevational view thereof;
FIG. 3 is a right side elevational view thereof;
FIG. 4 is a bottom plan view thereof;
FIG. 5 is a top plan view thereof;
FIG. 6 is a front elevational view thereof; and,
FIG. 7 is a rear elevational view thereof.

1 Claim, 7 Drawing Sheets



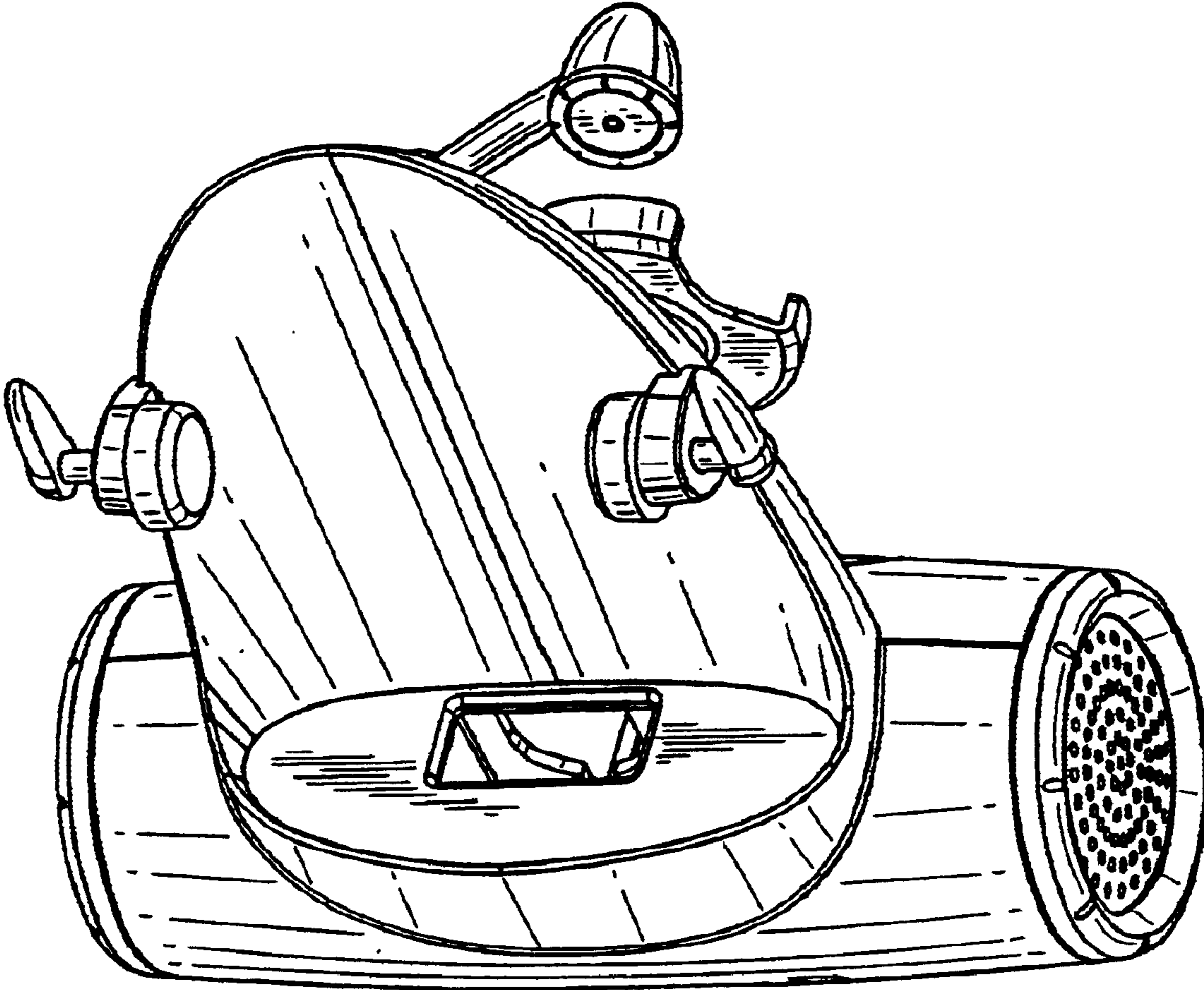


FIG. 1

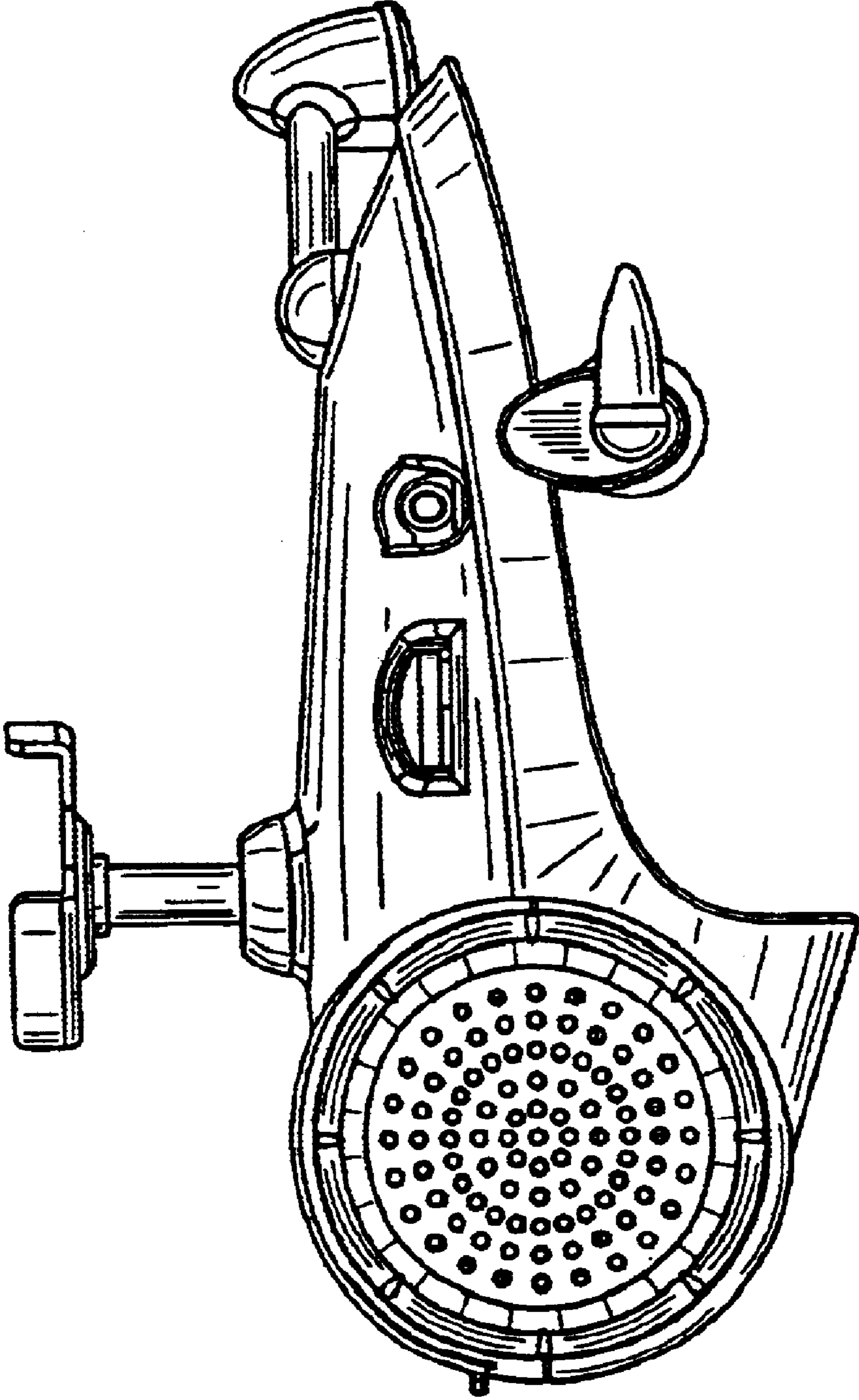


FIG. 2

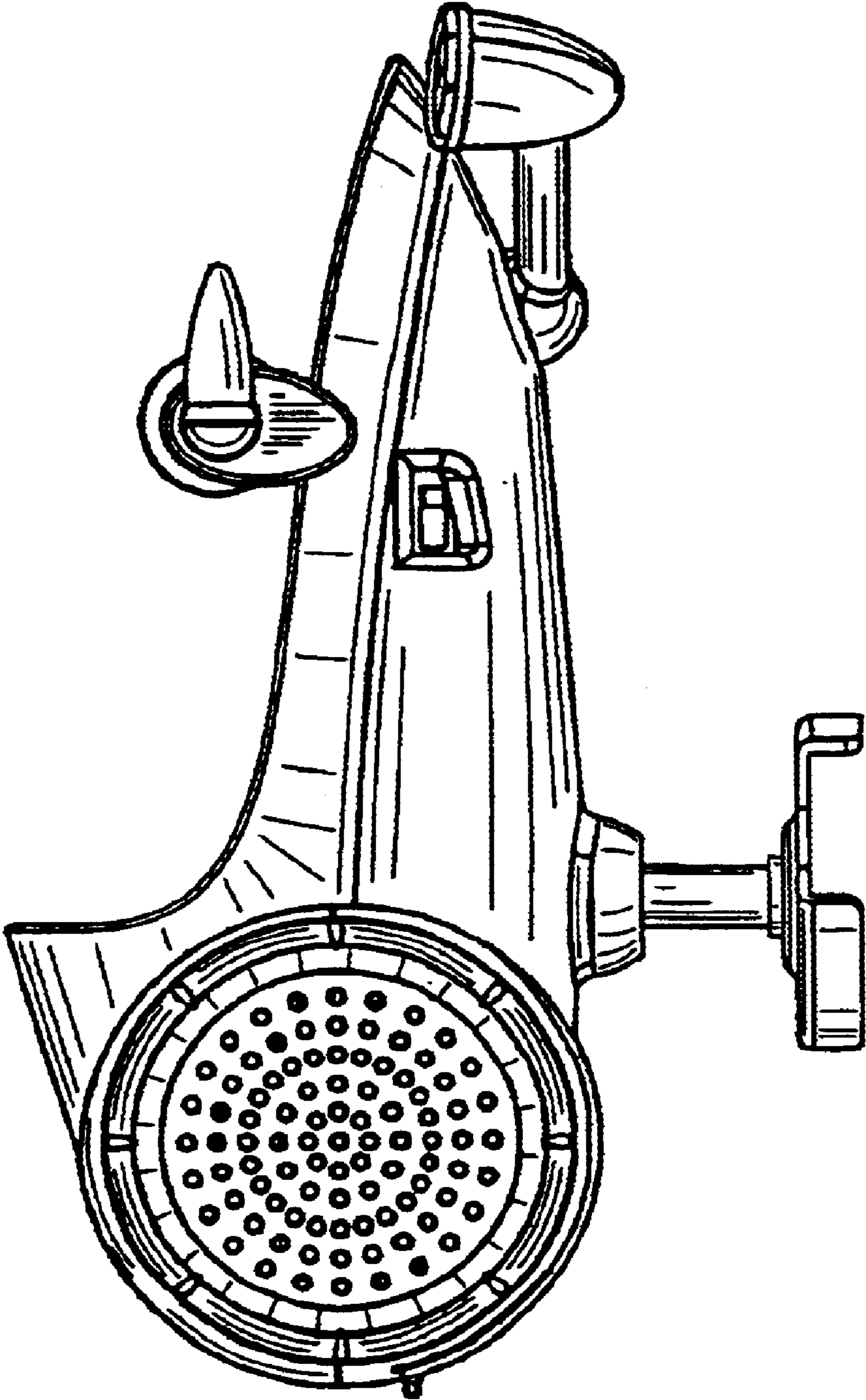


FIG. 3

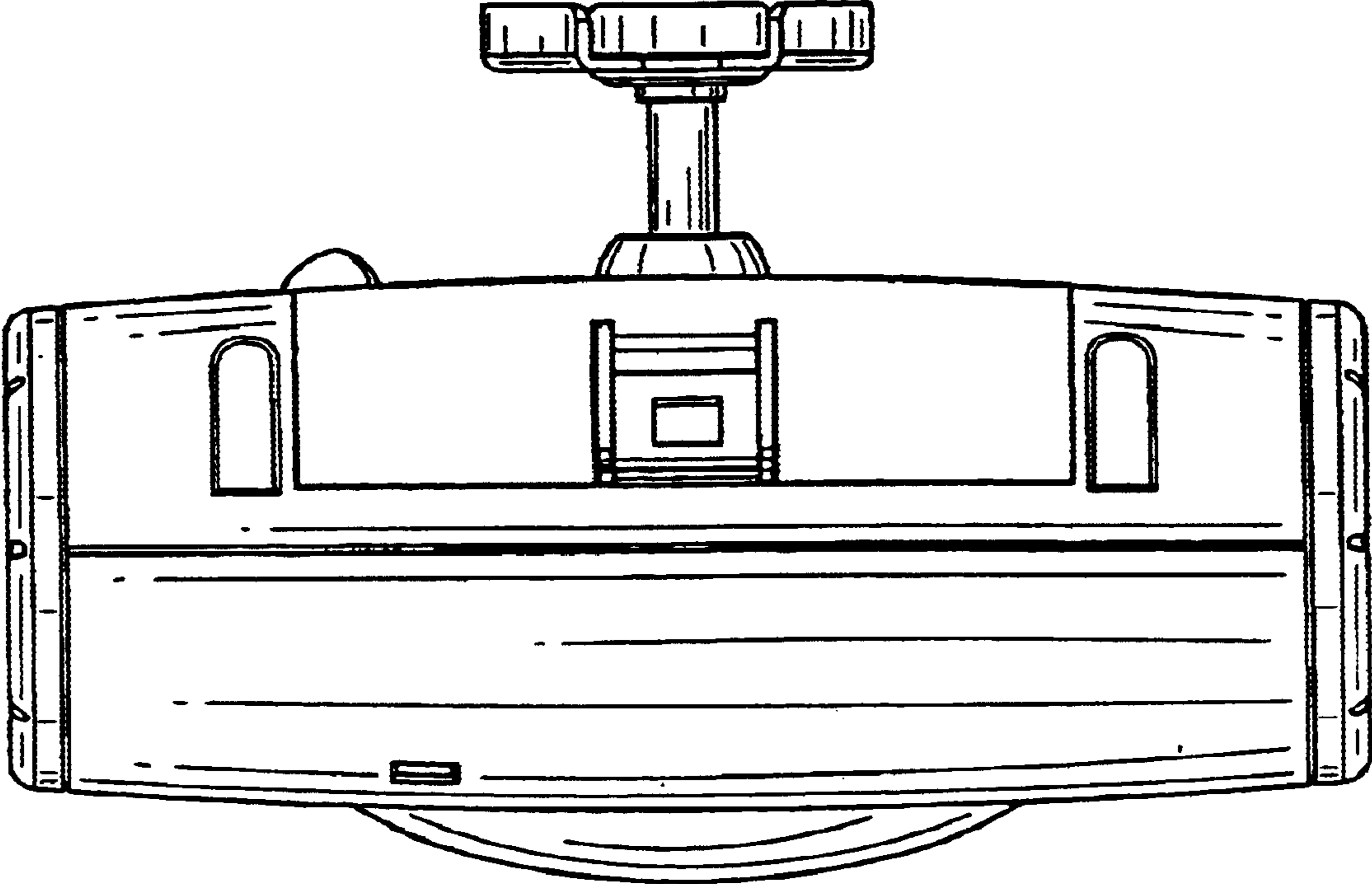


FIG.4

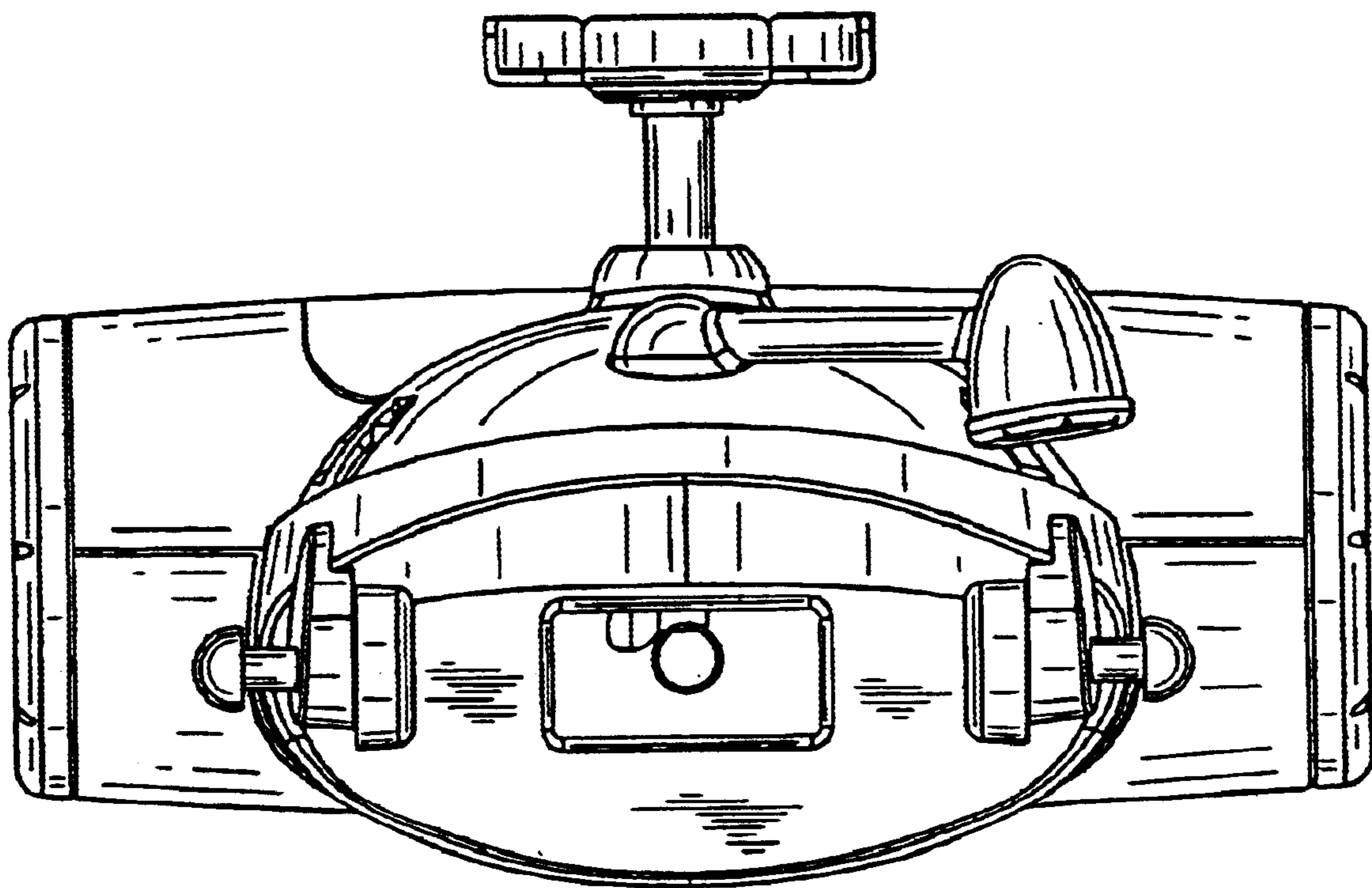


FIG.5

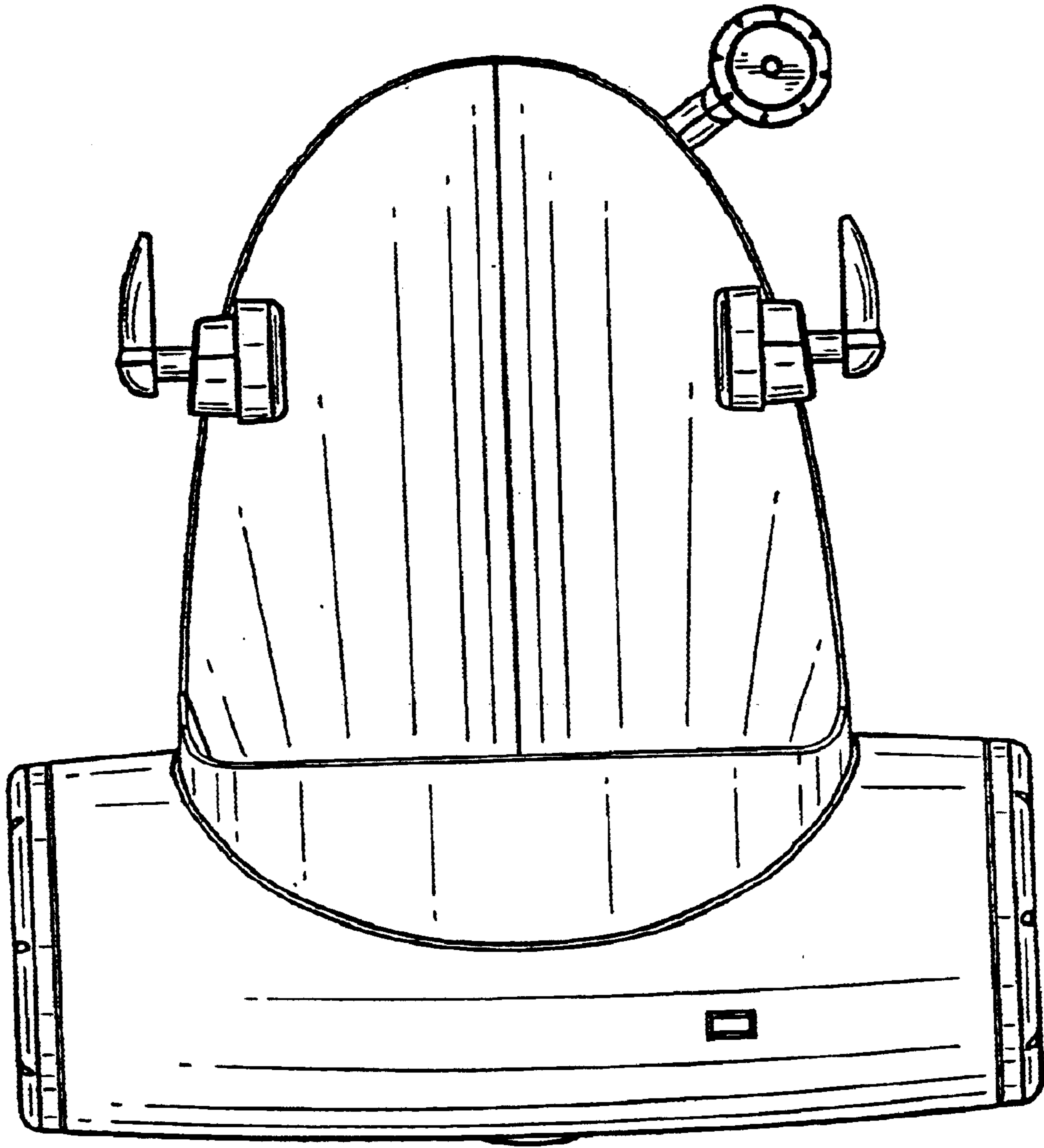


FIG.6

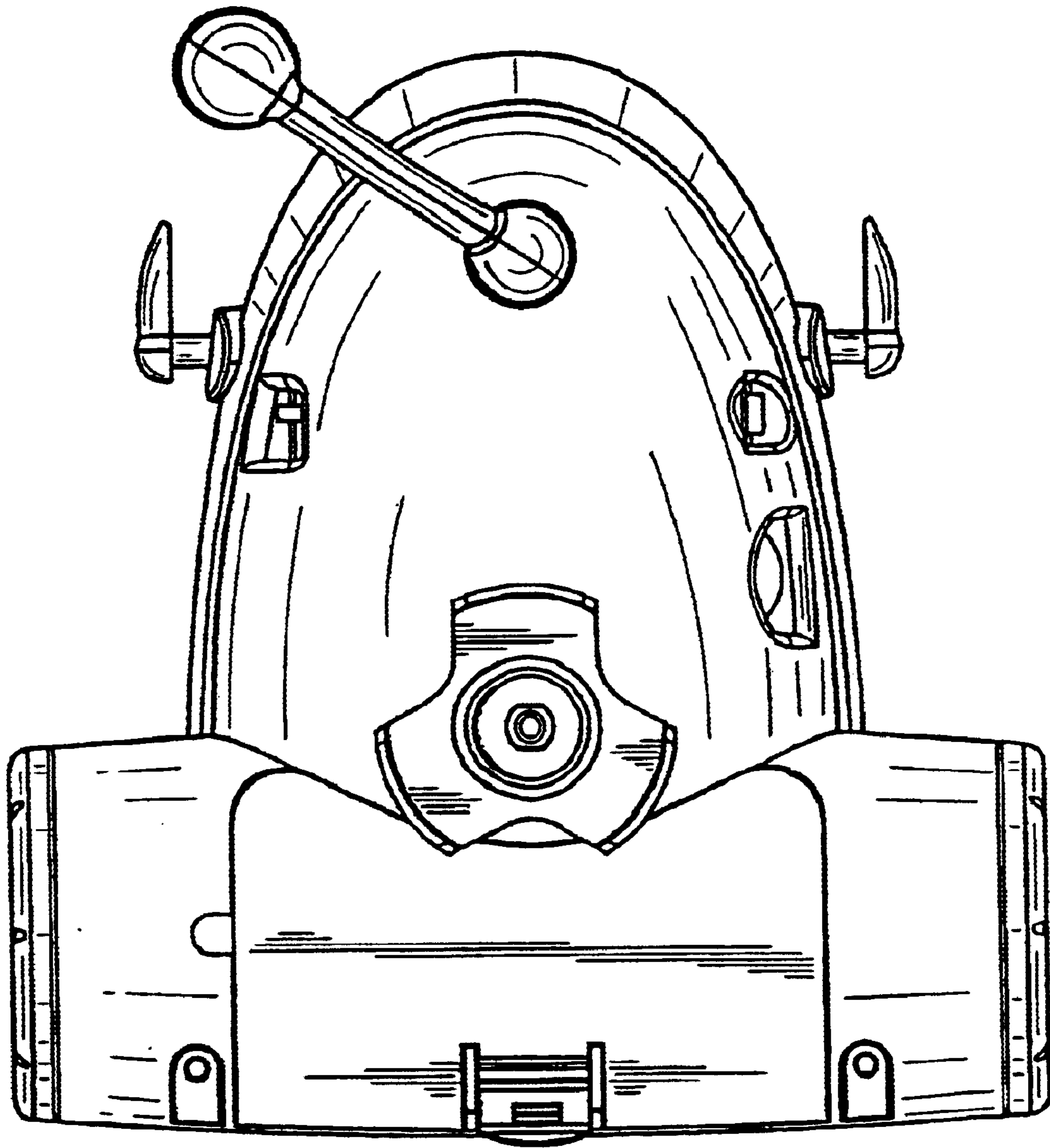


FIG. 7