

US00D494959S1

(12) **United States Design Patent**  
**Williamson**

(10) **Patent No.:** **US D494,959 S**

(45) **Date of Patent:** **\*\* Aug. 24, 2004**

(54) **SPEAKER TRANSDUCER**

D462,341 S 9/2002 Stead et al.

(75) **Inventor:** **Clayton C. Williamson**, Moorpark, CA (US)

\* cited by examiner

*Primary Examiner*—Nanda Bondade

(73) **Assignee:** **Harman International Industries, Inc.**, Northridge, CA (US)

(74) *Attorney, Agent, or Firm*—Plumsea Law Group, LLC

(\*\*) **Term:** **14 Years**

(57) **CLAIM**

The ornamental design for a speaker transducer, as shown and described.

(21) **Appl. No.:** **29/185,404**

**DESCRIPTION**

(22) **Filed:** **Jun. 27, 2003**

(51) **LOC (7) Cl.** ..... **14-01**

(52) **U.S. Cl.** ..... **D14/222**

(58) **Field of Search** ..... D14/204, 207,  
D14/209–216, 221–222, 356; 181/143–145,  
147–148, 150, 157, 198–199, 151, 153;  
381/300–302, 306, 333, 35, 361–364, 386–388,  
307

FIG. 1 is a perspective view of a speaker transducer portion in accordance with an embodiment of my new design;

FIG. 2 is a top plan view thereof;

FIG. 3 is a front elevational view thereof, the rear elevational view being a mirror image;

FIG. 4 is a side elevational view of one side thereof, the opposite side elevational view being a mirror image

FIG. 5 is a bottom plan view thereof;

FIG. 6 is an enlarged cross-sectional view of a portion thereof, taken along 6—6 in FIG. 2; and,

FIG. 7 is an enlarged cross-sectional view of a portion thereof, taken along 7—7 in FIG. 2.

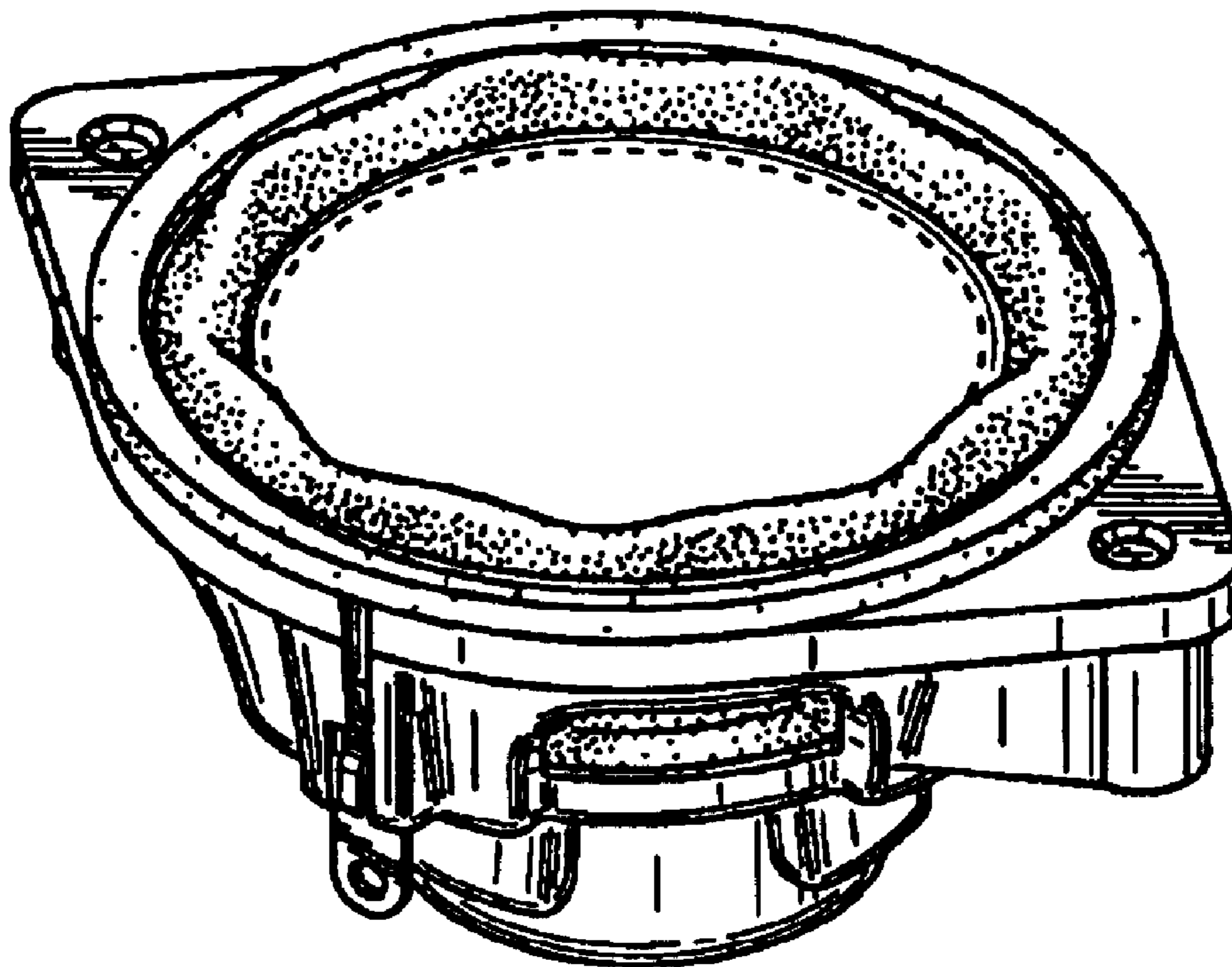
The broken line showing of the circle in the central area of the transducer is for illustrative purposes only and forms no part of the claimed design.

(56) **References Cited**

**U.S. PATENT DOCUMENTS**

D266,420 S	*	10/1982	Warner	.....	D14/222
D393,641 S	*	4/1998	Hai-Fu	.....	D14/216
D442,945 S	*	5/2001	Mahgerefteh	.....	D14/221
6,308,960 B1	*	10/2001	Peale	.....	181/199
D451,087 S		11/2001	Moro et al.		

**1 Claim, 4 Drawing Sheets**



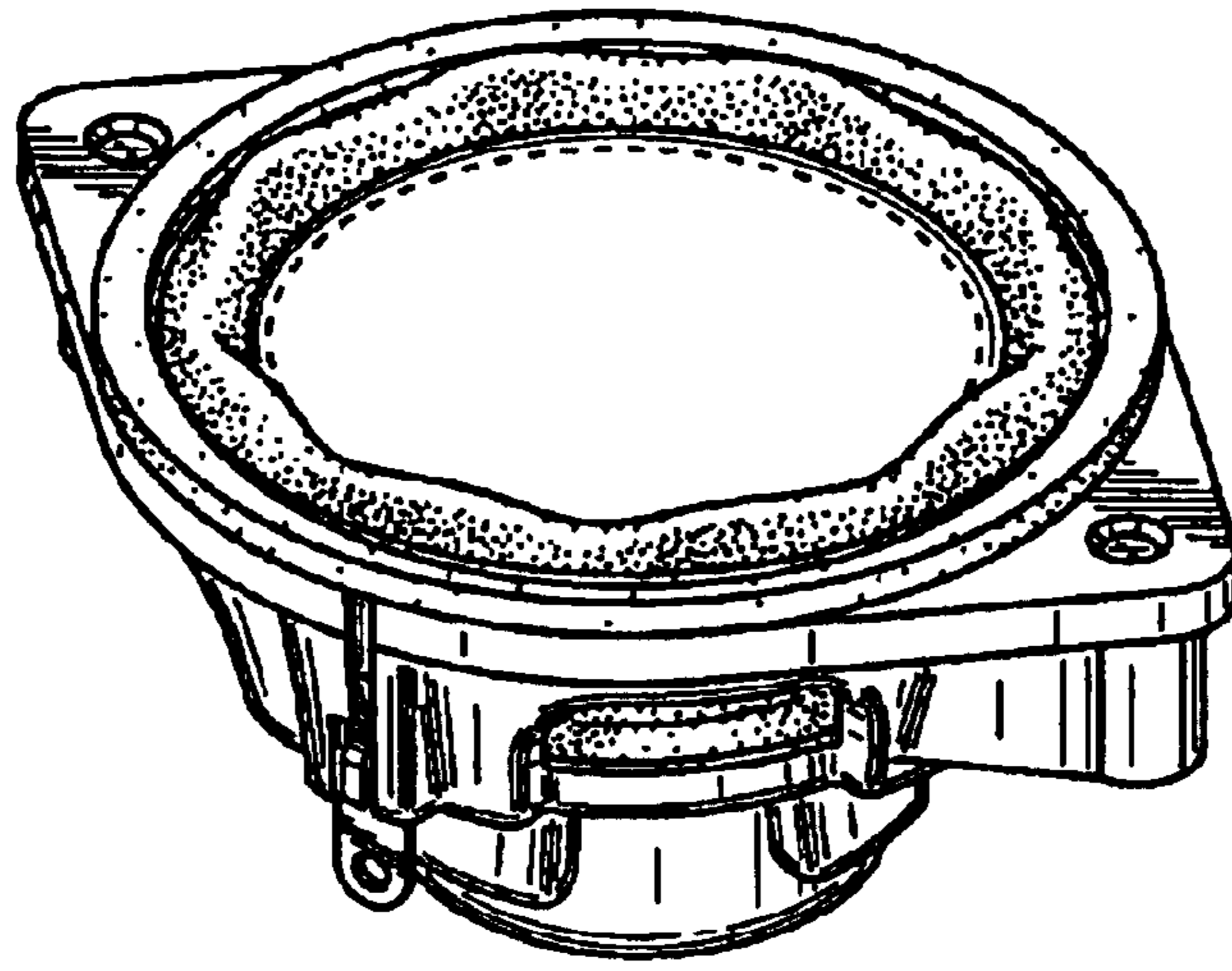


FIG. 1

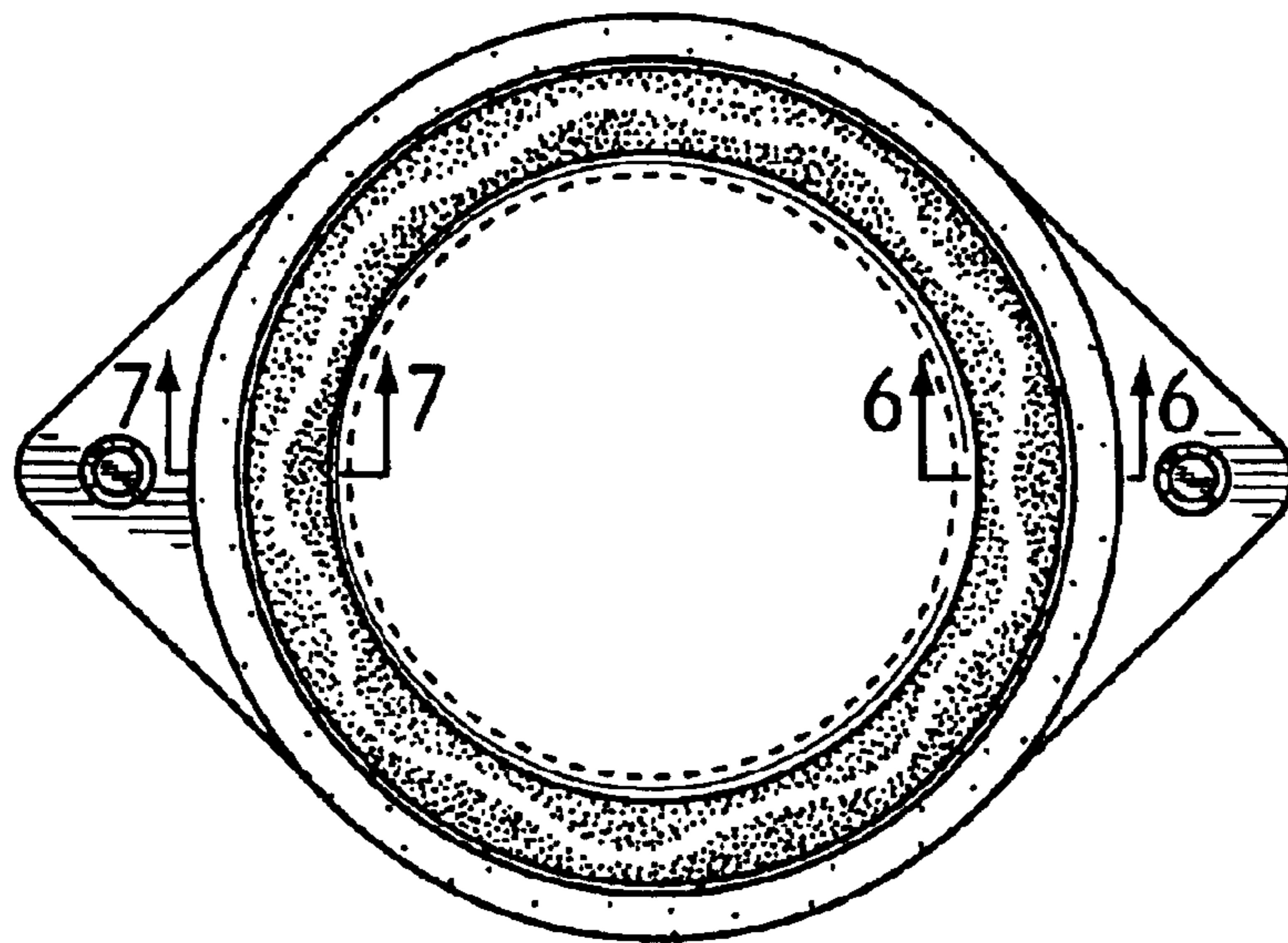


FIG. 2

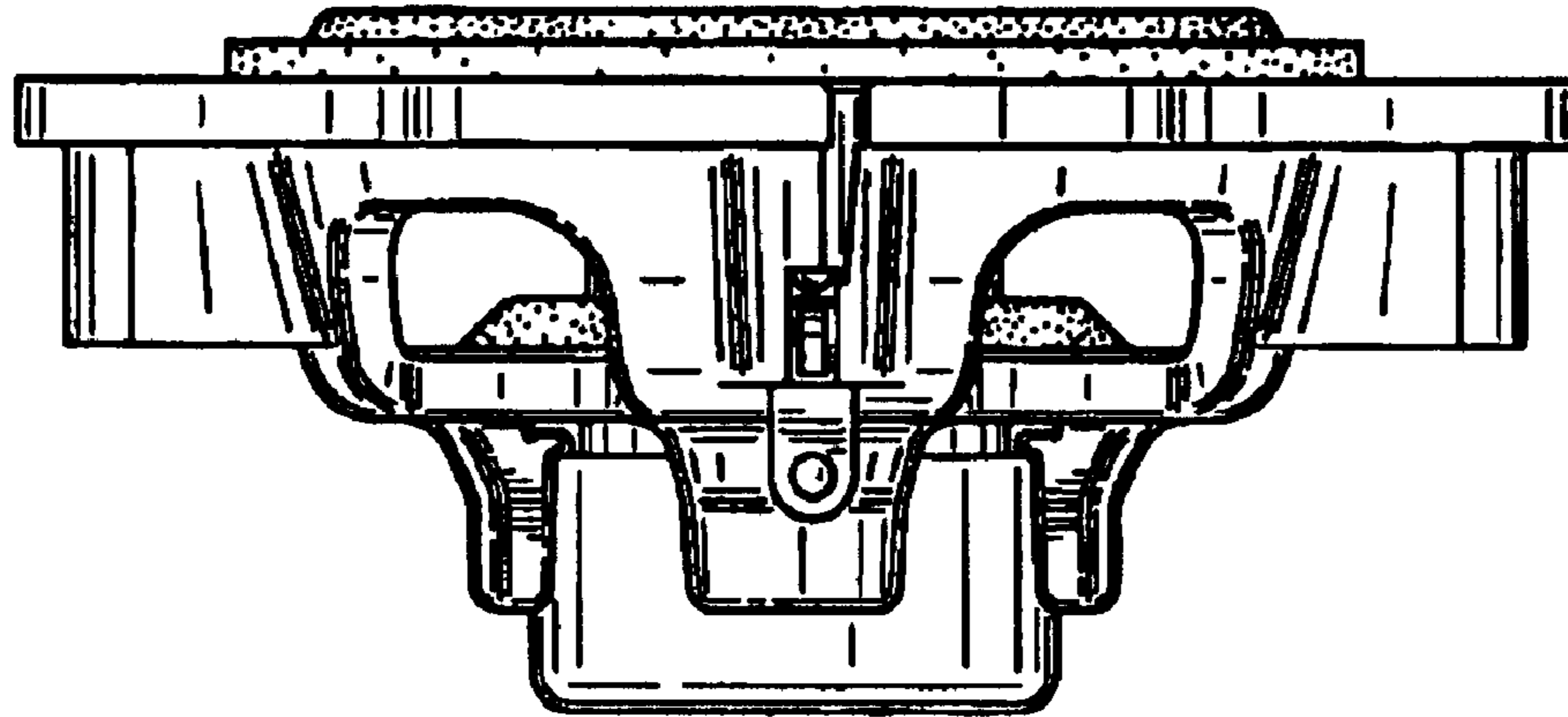


FIG. 3

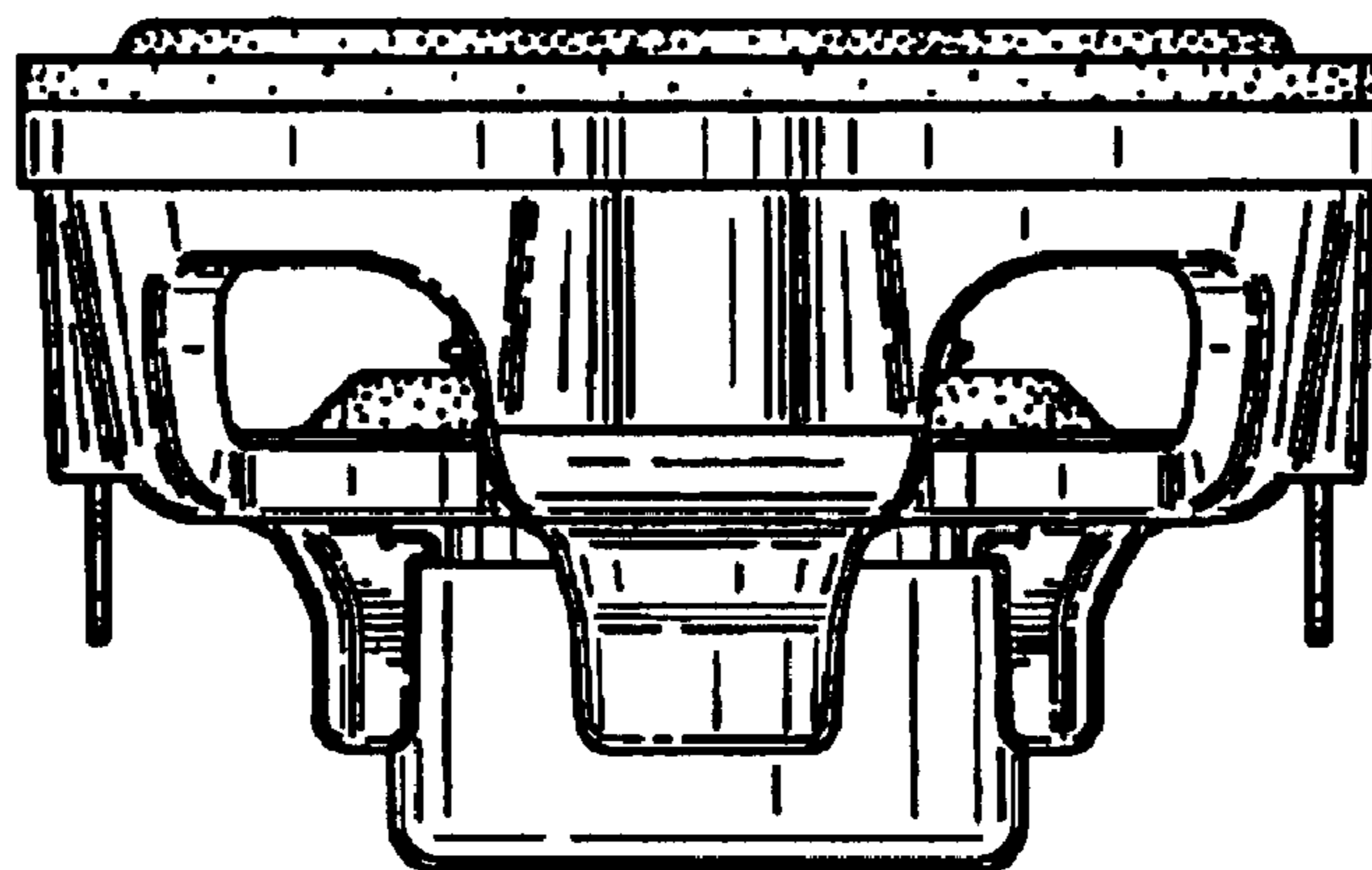


FIG. 4

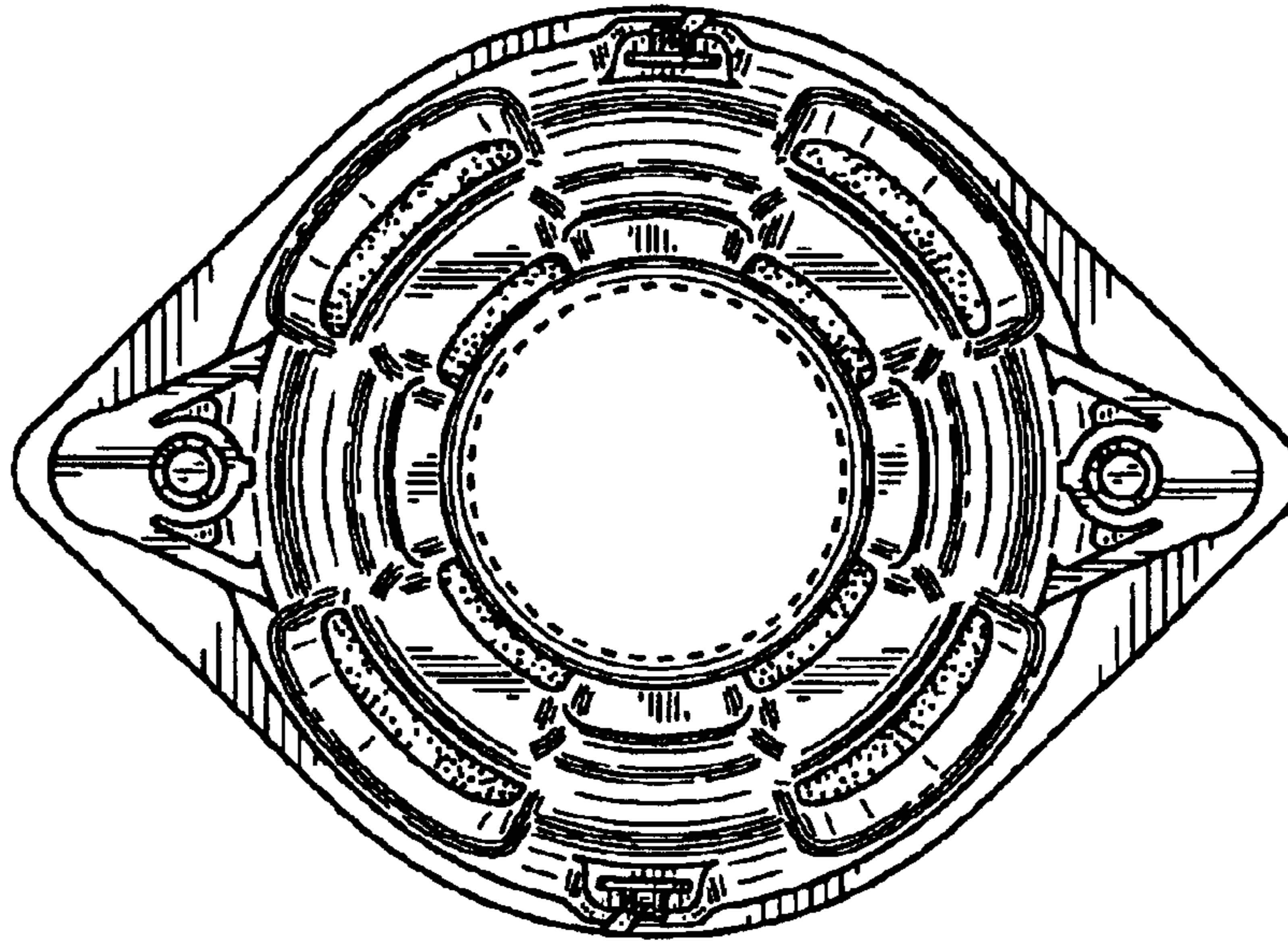


FIG. 5

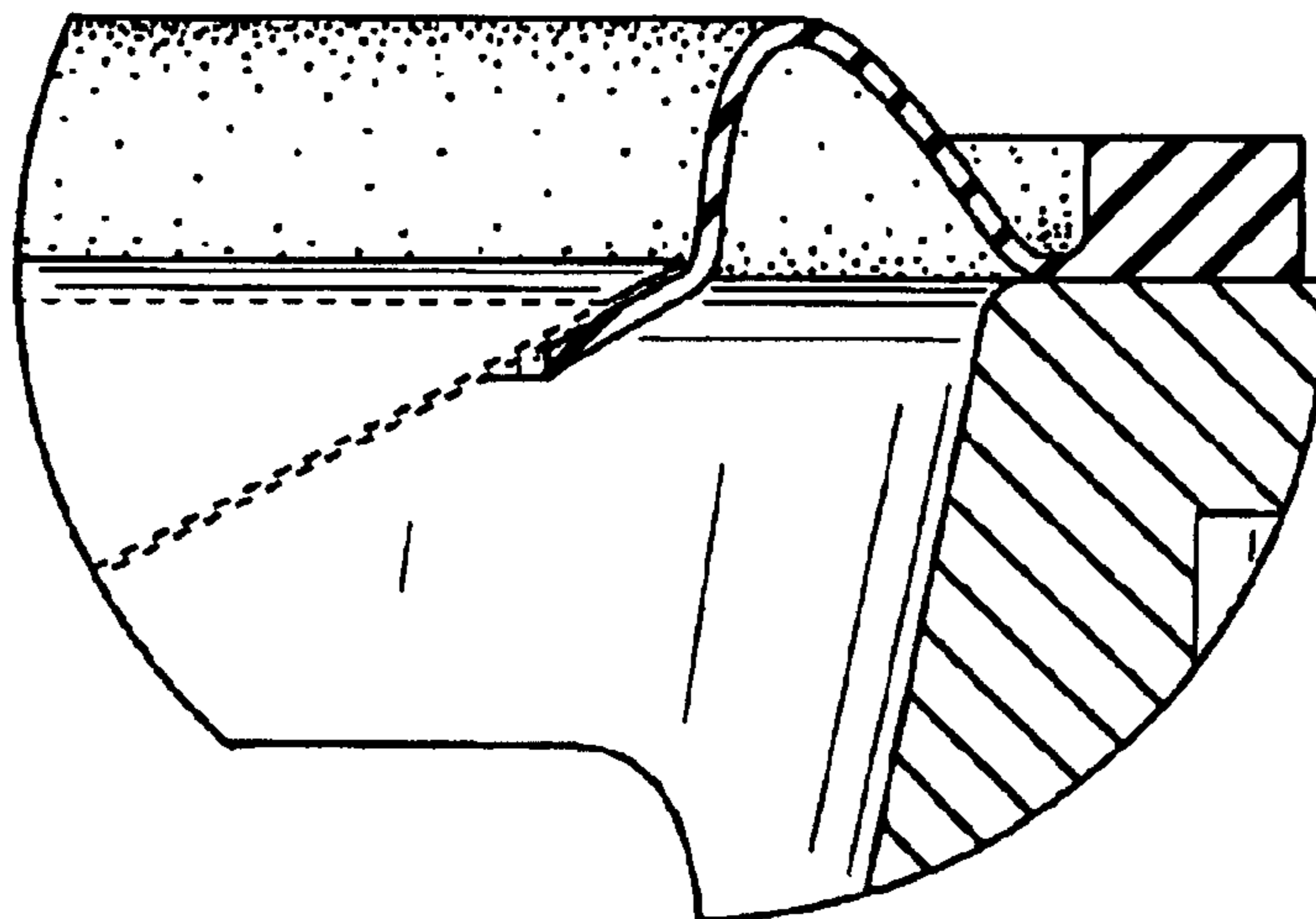


FIG. 6

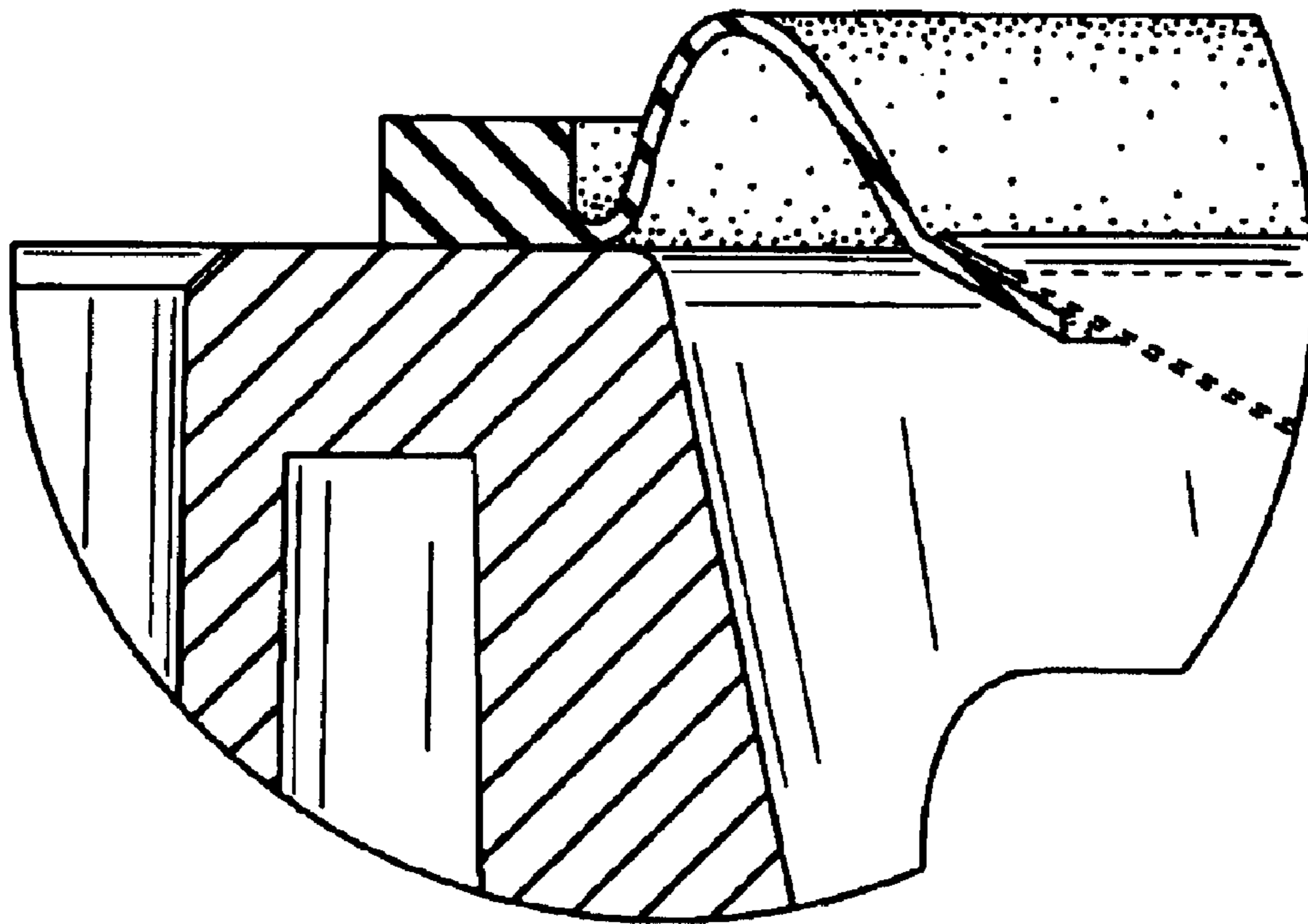


FIG. 7