

US00D494943S1

(12) **United States Design Patent** (10) **Patent No.:** **US D494,943 S**  
**Guerrera et al.** (45) **Date of Patent:** **\*\* Aug. 24, 2004**

(54) **VIDEO COMMUNICATION SYSTEM**  
 (75) Inventors: **Carlo Guerrera**, Pordenone (IT);  
**Adriano Facchin**, Azzano Decimo (IT);  
**Alessandra Rinaldi**, Florence (IT)  
 (73) Assignee: **BPT S.p.A.**, Cinto Caomaggiore (IT)  
 (\*\*) Term: **14 Years**  
 (21) Appl. No.: **29/187,118**  
 (22) Filed: **Jul. 28, 2003**  
 (30) **Foreign Application Priority Data**  
 Jan. 28, 2003 (IT) ..... PD2003O0006

D361,999 S \* 9/1995 Roegner ..... D14/149  
 D366,483 S \* 1/1996 Major ..... D14/149  
 D369,601 S \* 5/1996 Tomoike ..... D14/149  
 D375,740 S \* 11/1996 Mergenthaler et al. .... D14/151  
 D378,588 S \* 3/1997 Tanaka ..... D14/150  
 D380,469 S \* 7/1997 Biskup et al. .... D14/149  
 D384,663 S \* 10/1997 Solomita et al. .... D14/149  
 D388,084 S \* 12/1997 Hung ..... D14/149  
 D408,817 S \* 4/1999 Ishibashi ..... D14/149  
 D411,987 S \* 7/1999 Mizusugi et al. .... D14/329  
 D412,502 S \* 8/1999 Fuke et al. .... D14/148  
 D421,603 S \* 3/2000 Meurer ..... D14/130  
 D435,530 S \* 12/2000 Christensen et al. .... D14/146  
 D452,489 S \* 12/2001 Nagase ..... D14/151  
 D457,866 S \* 5/2002 Matsui et al. .... D14/148  
 D481,698 S \* 11/2003 Yamada et al. .... D14/149

(51) **LOC (7) Cl.** ..... **14-03**  
 (52) **U.S. Cl.** ..... **D14/130; D14/149**  
 (58) **Field of Search** ..... D14/137, 434,  
 D14/138, 447, 148, 147, 149-151, 140-142,  
 240, 241, 251-253, 329-330, 451, 144,  
 130; 379/426, 434-436, 419, 420.01-420.04,  
 428.01-428.04, 440, 454, 455, 446; 455/550.1-90.3;  
 D13/107, 108; D21/517; 348/14.01

**FOREIGN PATENT DOCUMENTS**

WO DM/053006 \* 8/2000  
 WO DM/056673 \* 7/2001  
 WO DM/057499 \* 8/2001  
 WO DM/061041 \* 6/2002  
 WO DM/062992 \* 11/2002

\* cited by examiner

*Primary Examiner*—Jeffrey Asch  
 (74) *Attorney, Agent, or Firm*—RatnerPrestia

(56) **References Cited**  
**U.S. PATENT DOCUMENTS**

D211,737 S \* 7/1968 Dreyfuss ..... D14/151  
 3,521,008 A \* 7/1970 Tyson ..... 379/434  
 D219,029 S \* 10/1970 Dreyfuss ..... D14/148  
 D270,155 S \* 8/1983 Shimizu ..... D14/151  
 D277,571 S \* 2/1985 Cooke et al. .... D14/149  
 D284,003 S \* 5/1986 Tamura ..... D14/142  
 D286,283 S \* 10/1986 Nichols ..... D14/138  
 D287,721 S \* 1/1987 Perkins ..... D14/151  
 D307,430 S \* 4/1990 Desbarats ..... D14/151  
 D316,548 S \* 4/1991 Yeung ..... D14/144  
 D316,833 S \* 5/1991 Miozzo ..... D14/130  
 D318,051 S \* 7/1991 Danielson et al. .... D14/149  
 D319,826 S \* 9/1991 Hung ..... D14/142  
 D331,759 S \* 12/1992 Renard ..... D14/151  
 D339,132 S \* 9/1993 Roegner ..... D14/151  
 D339,342 S \* 9/1993 Chan ..... D14/149  
 D355,652 S \* 2/1995 Lee et al. .... D14/149

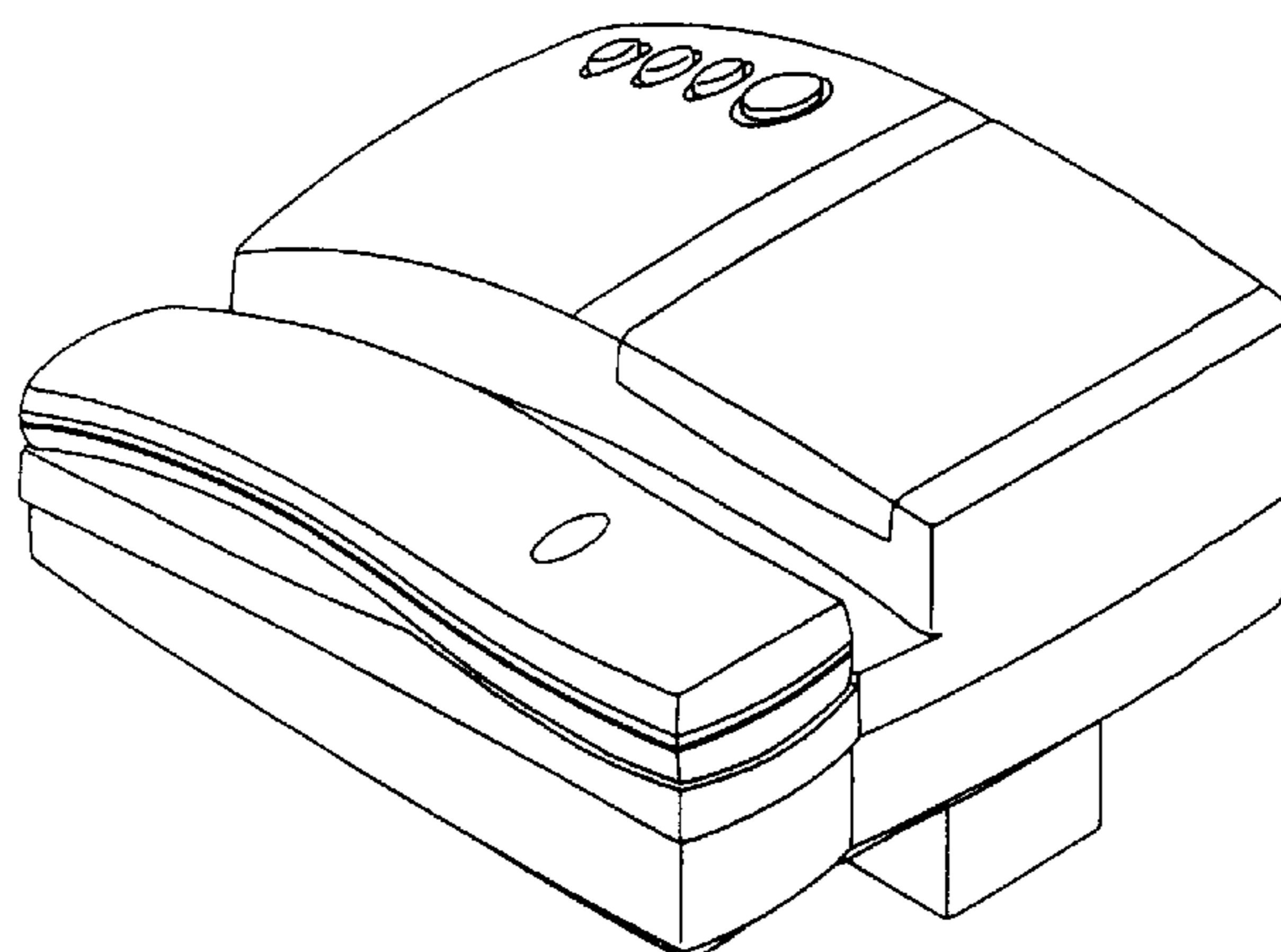
(57) **CLAIM**

The ornamental design for a video communication system, substantially as shown and described.

**DESCRIPTION**

FIG. 1 is a perspective view of a video communication system according to the present invention;  
 FIG. 2 is a front view of the video communication system shown in FIG. 1;  
 FIG. 3 is a left side view of the video communication system shown in FIG. 1;  
 FIG. 4 is a right side view of the video communication system shown in FIG. 1; and,  
 FIG. 5 is a bottom view of the video communication system shown in FIG. 1.

**1 Claim, 1 Drawing Sheet**



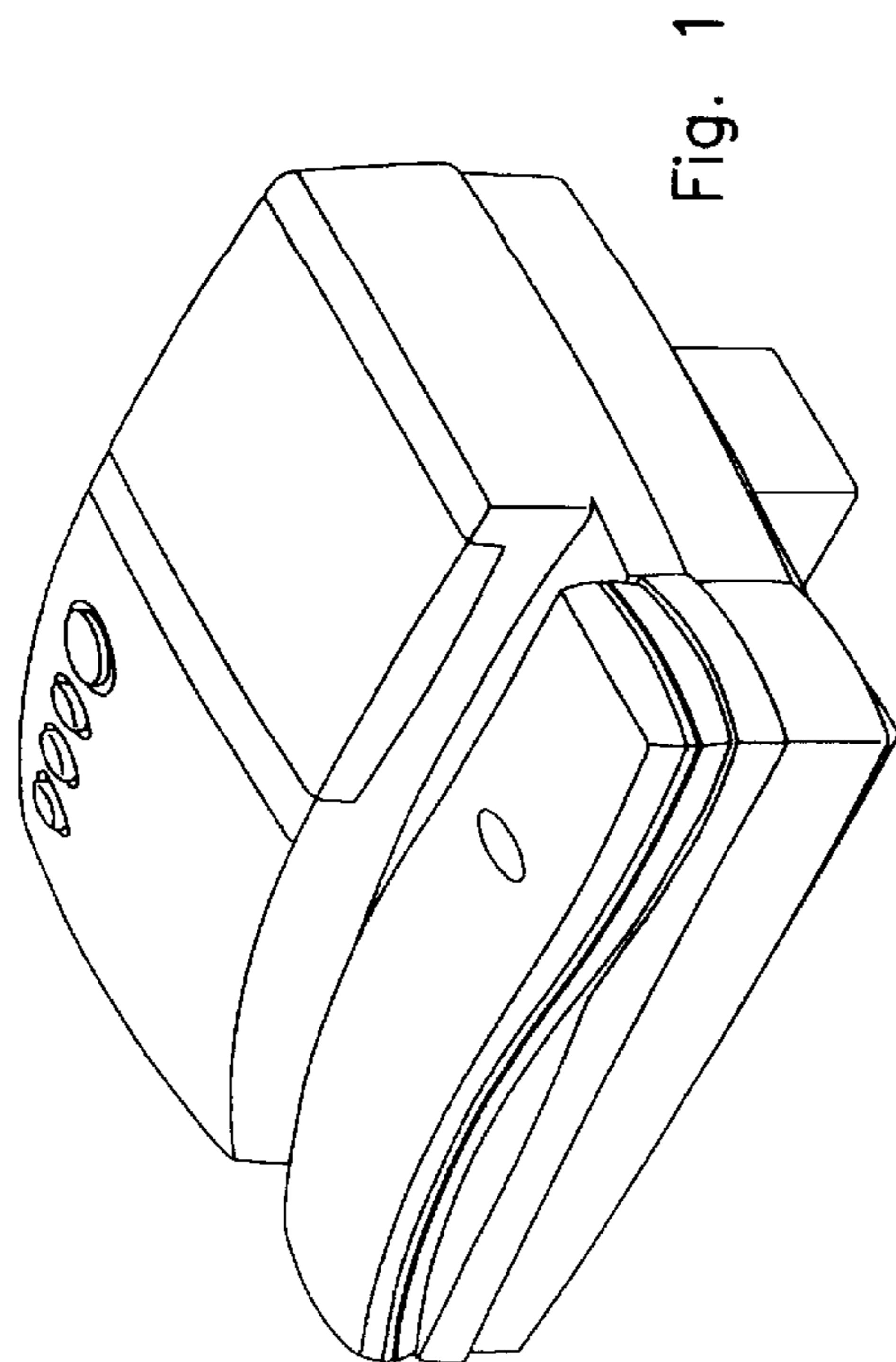


Fig. 1

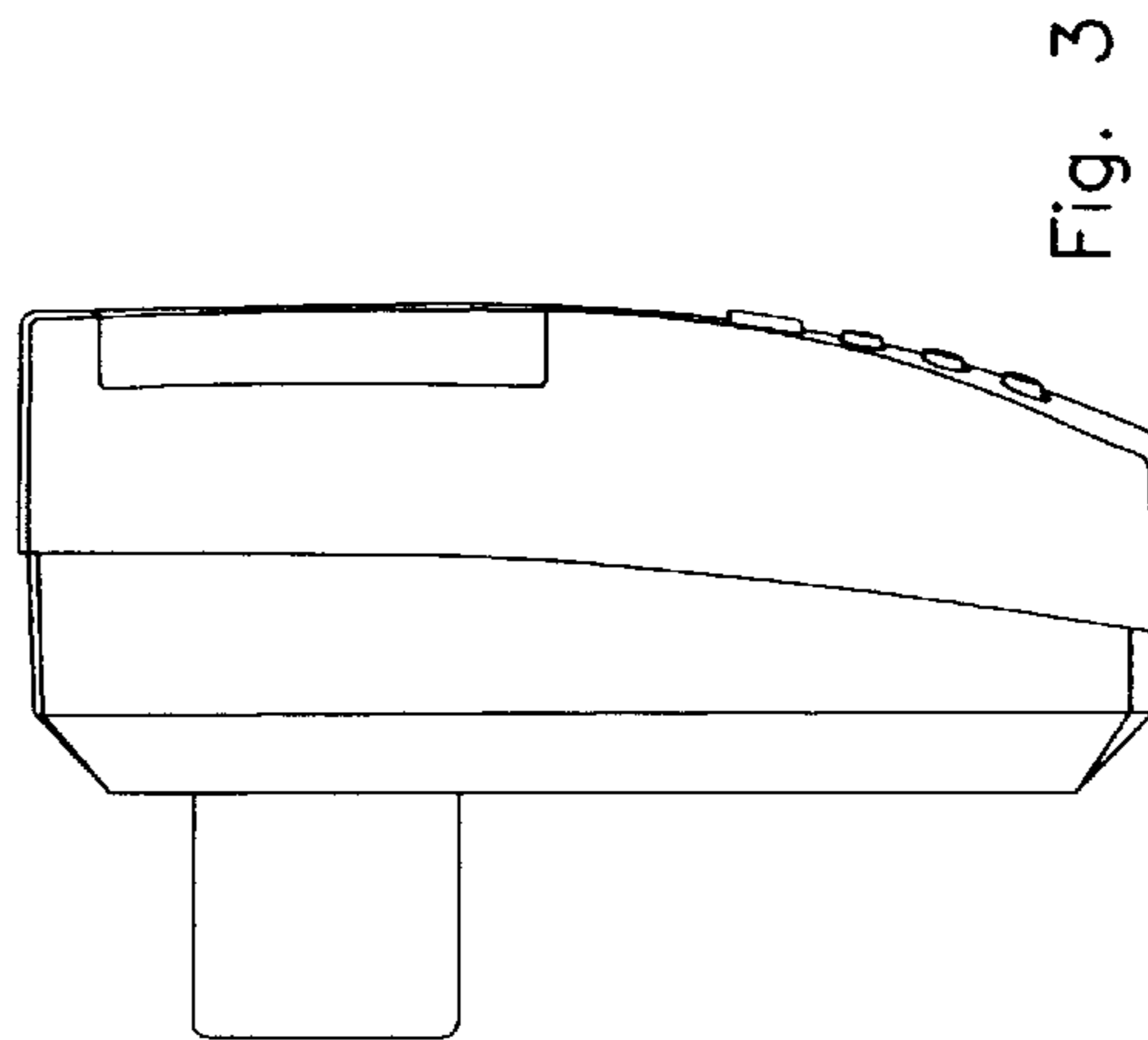


Fig. 3

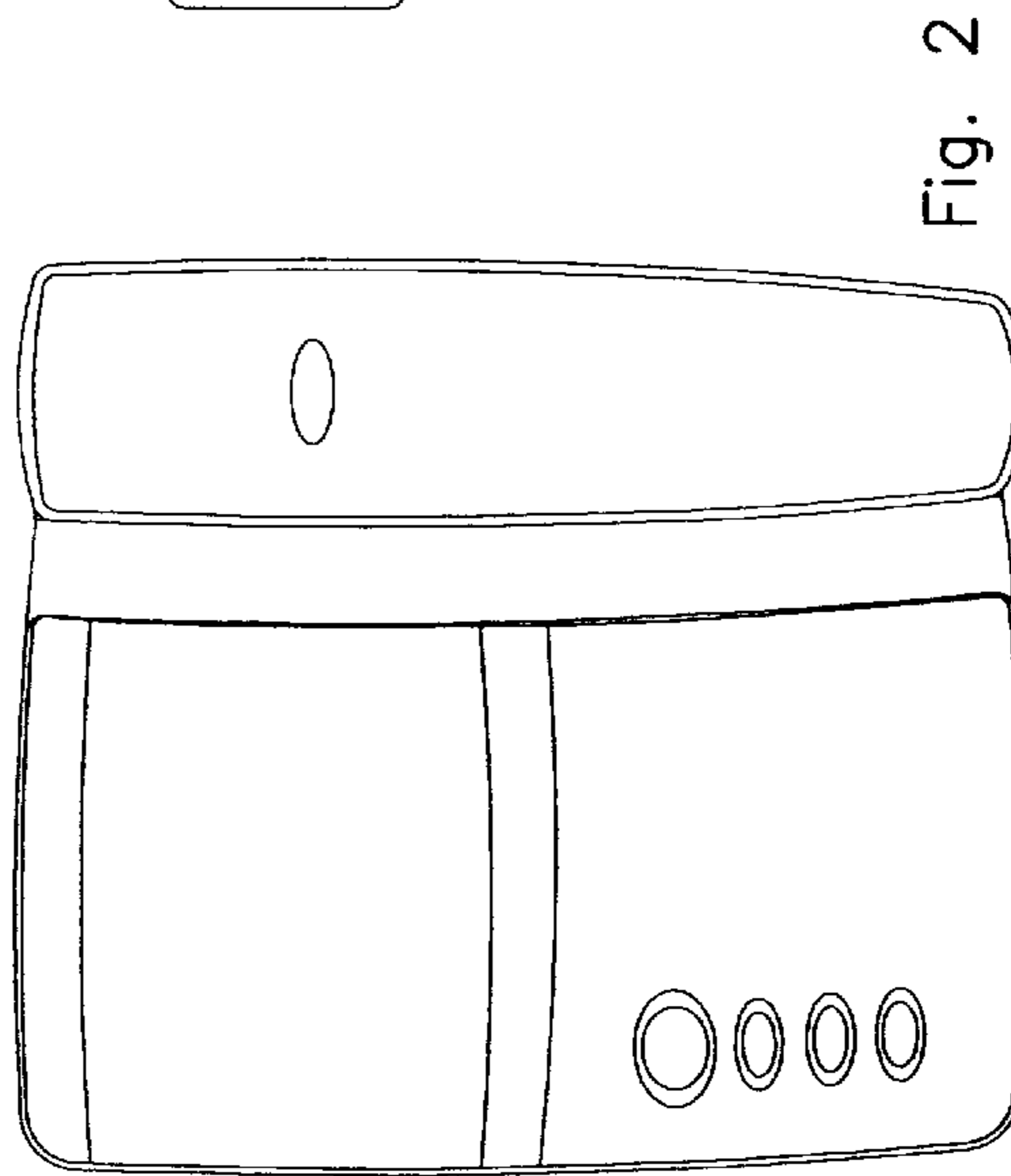


Fig. 2

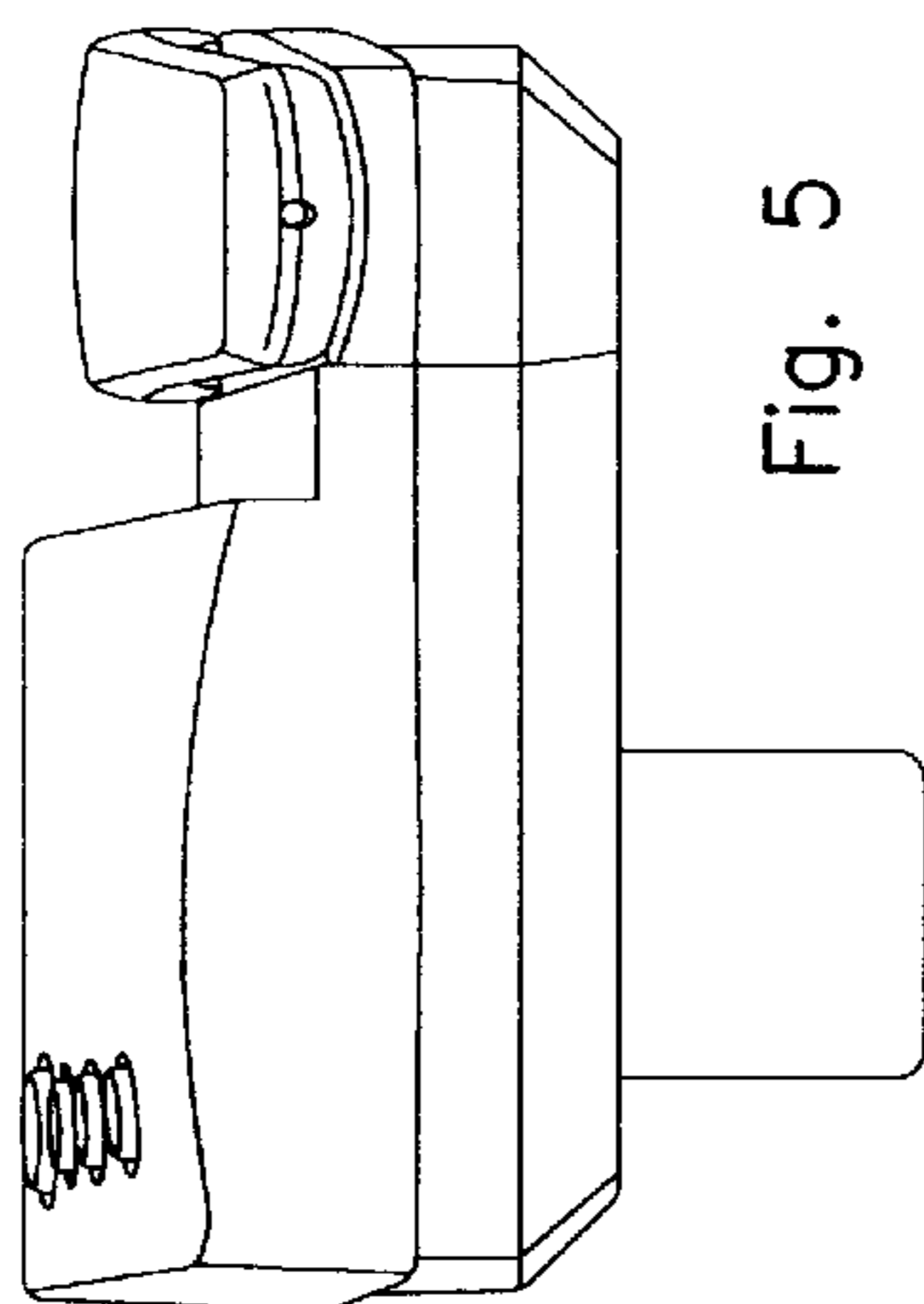


Fig. 5

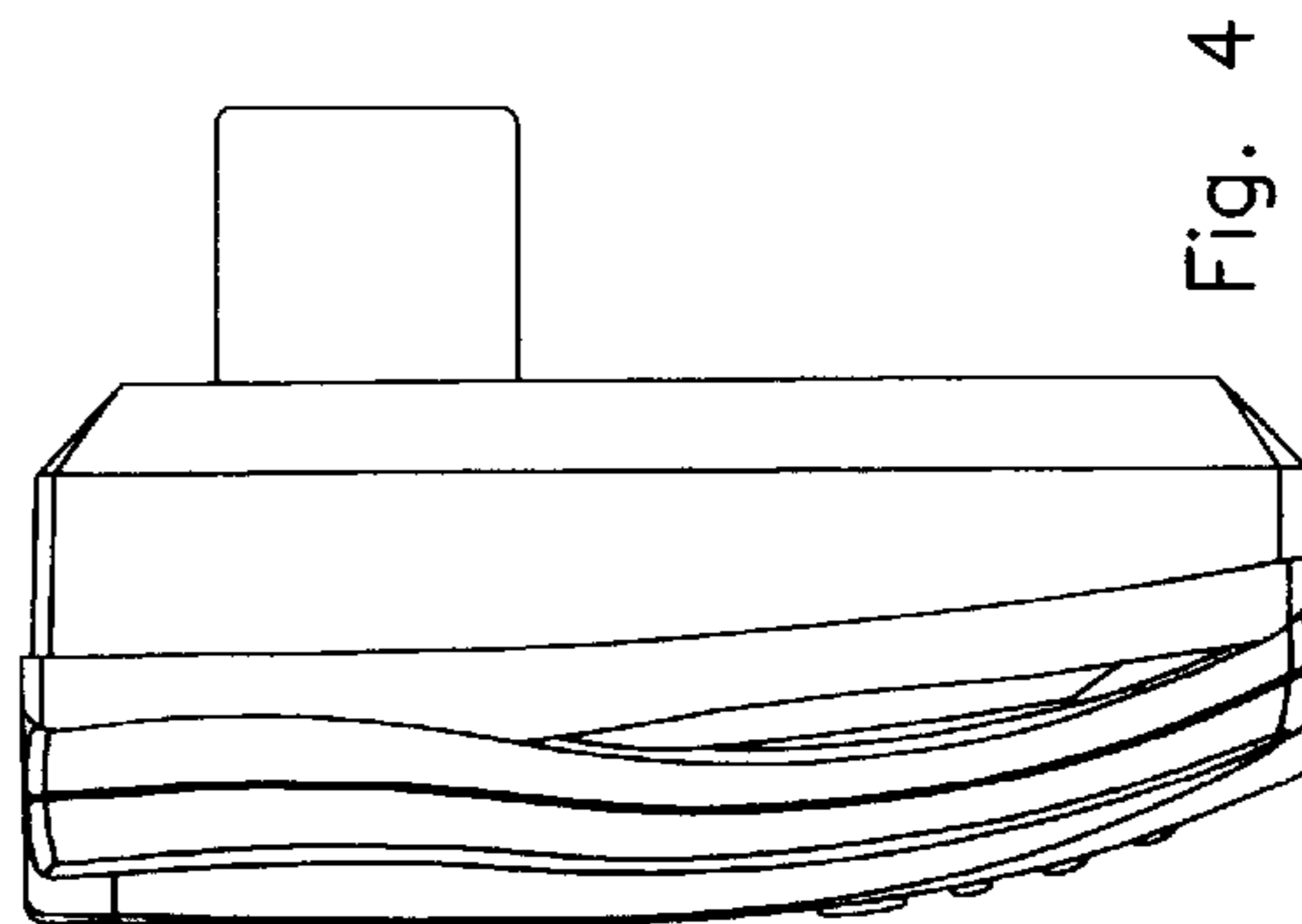


Fig. 4