



US00D494941S1

(12) **United States Design Patent**
Kim

(10) **Patent No.:** **US D494,941 S**

(45) **Date of Patent:** **** Aug. 24, 2004**

(54) **PDP TV**

(75) **Inventor:** **Young-jun Kim, Seoul (KR)**

(73) **Assignee:** **Samsung Electronics Co., Ltd. (KR)**

(**) **Term:** **14 Years**

(21) **Appl. No.:** **29/193,413**

(22) **Filed:** **Nov. 10, 2003**

(51) **LOC (7) Cl.** **14-03**

(52) **U.S. Cl.** **D14/126**

(58) **Field of Search** D14/125-134,
D14/239, 371, 374-382; 312/7.2; 348/836,
838, 180, 184, 325, 739; 345/104, 133,
156, 168, 87, 173; 341/12; 248/917-924

(56) **References Cited**

U.S. PATENT DOCUMENTS

D411,522 S	*	6/1999	Chuo et al.	D14/375
D412,891 S	*	8/1999	Sumii	D14/374
D458,238 S	*	6/2002	Niitsu	D14/126
D460,056 S	*	7/2002	Niitsu	D14/126
D472,532 S	*	4/2003	Niitsu	D14/126
D483,020 S	*	12/2003	Nagao et al.	D14/126
D486,804 S	*	2/2004	Takami et al.	D14/126

D487,731 S * 3/2004 Takami et al. D14/126

* cited by examiner

Primary Examiner—Raphael Barkai

(74) *Attorney, Agent, or Firm*—Irving Keschner

(57) **CLAIM**

The ornamental design for PDP TV, as shown.

DESCRIPTION

FIG. 1 is a perspective view of the ornamental design of the present invention;

FIG. 2 is a front elevational view of the ornamental design of the present invention;

FIG. 3 is a rear elevational view of the ornamental design of the present invention;

FIG. 4 is a left side elevational view of the ornamental design of the present invention;

FIG. 5 is a right side elevational view of the ornamental design of the present invention;

FIG. 6 is a top plan view of the ornamental design of the present invention; and,

FIG. 7 is a bottom view of the ornamental design of the present invention.

1 Claim, 4 Drawing Sheets

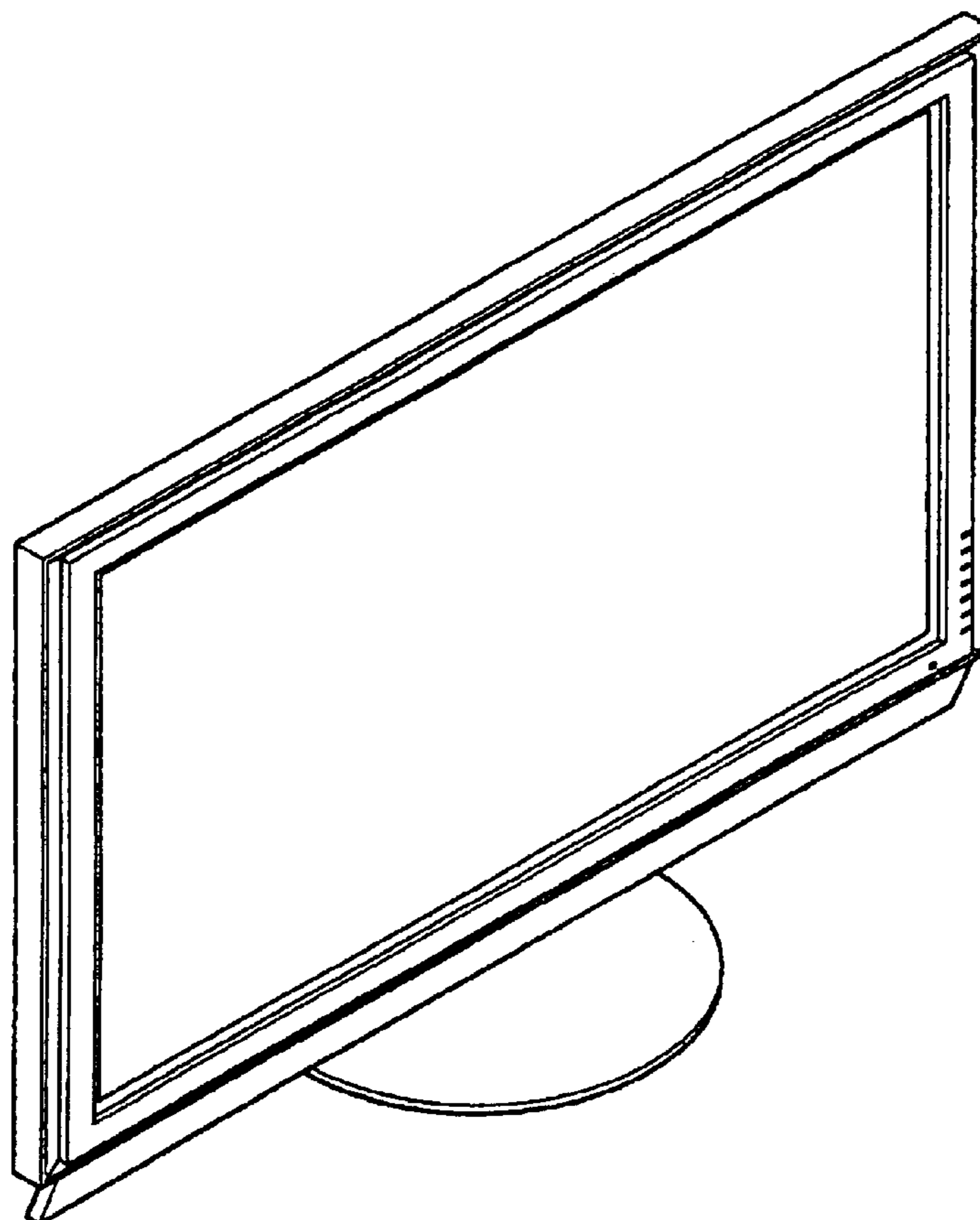


FIG. 1

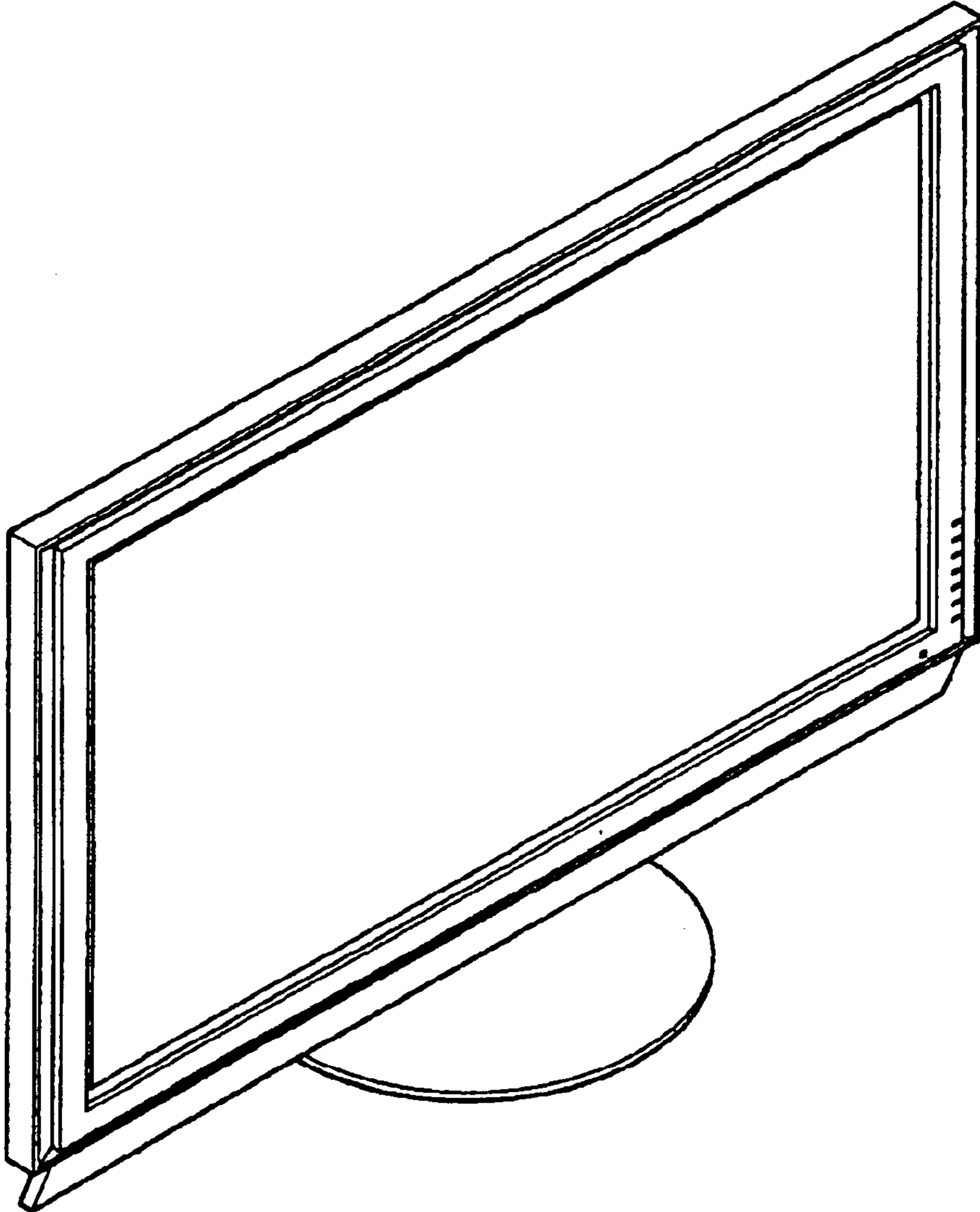


FIG. 2

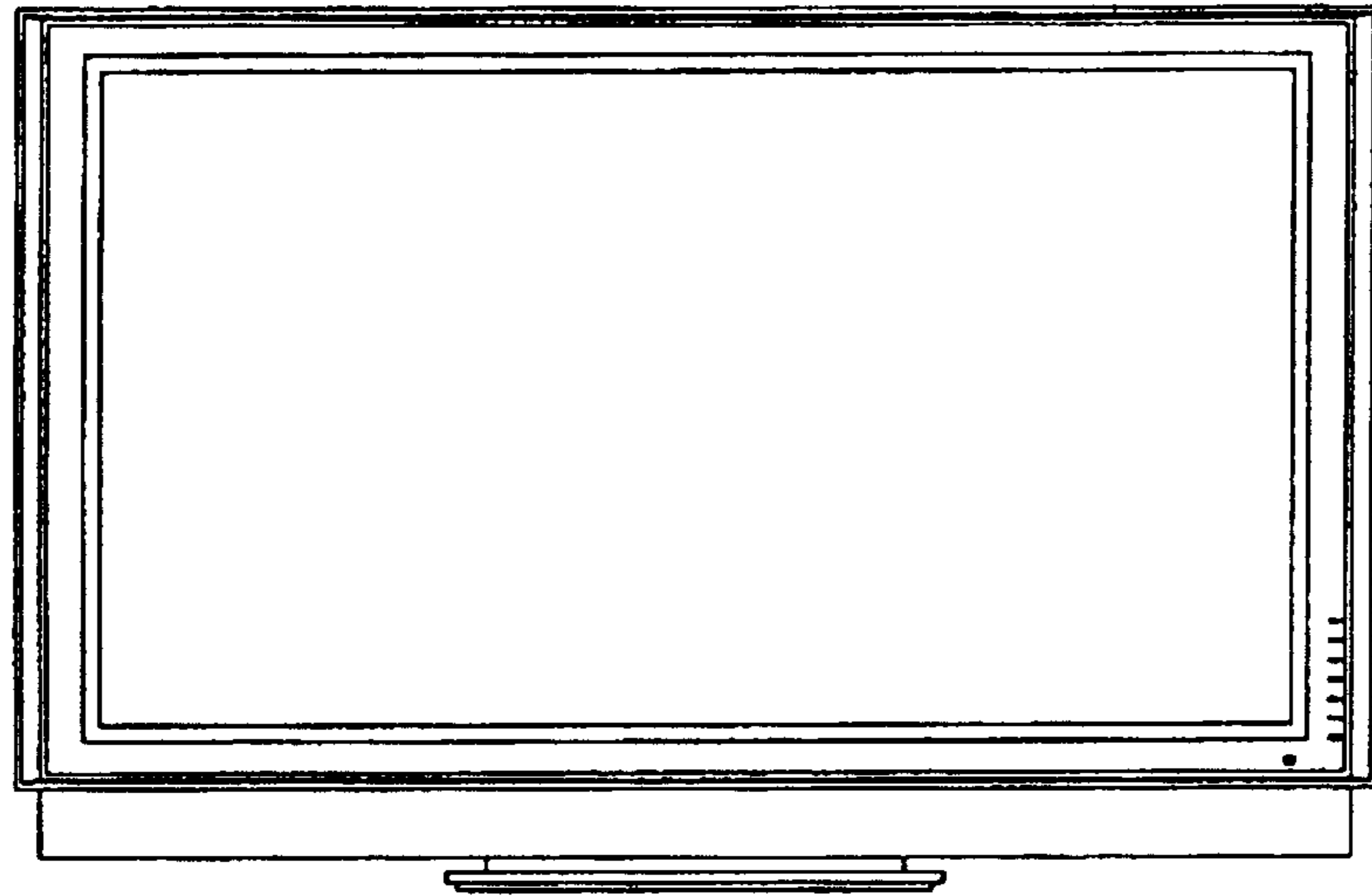


FIG. 3

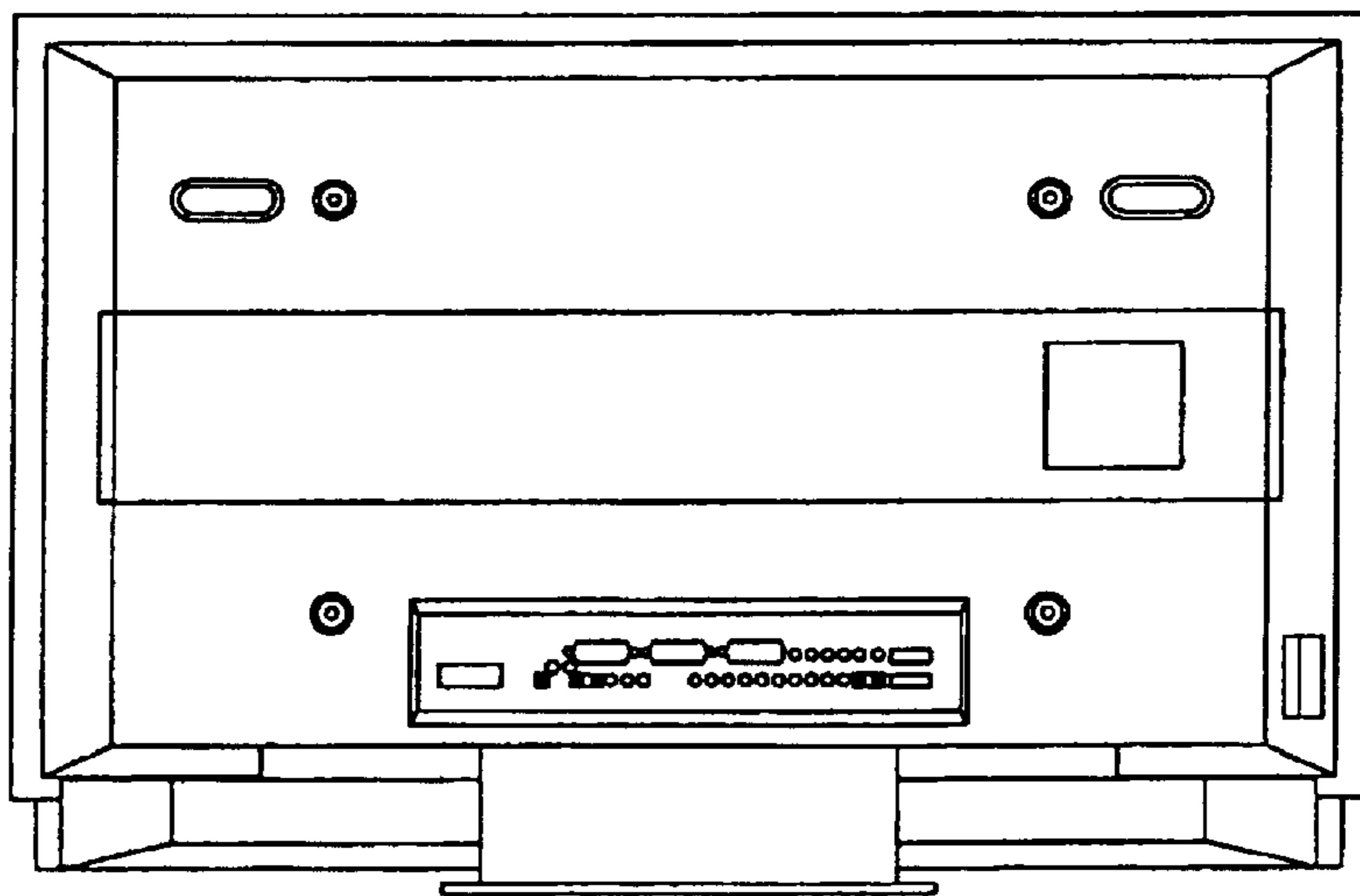


FIG. 4

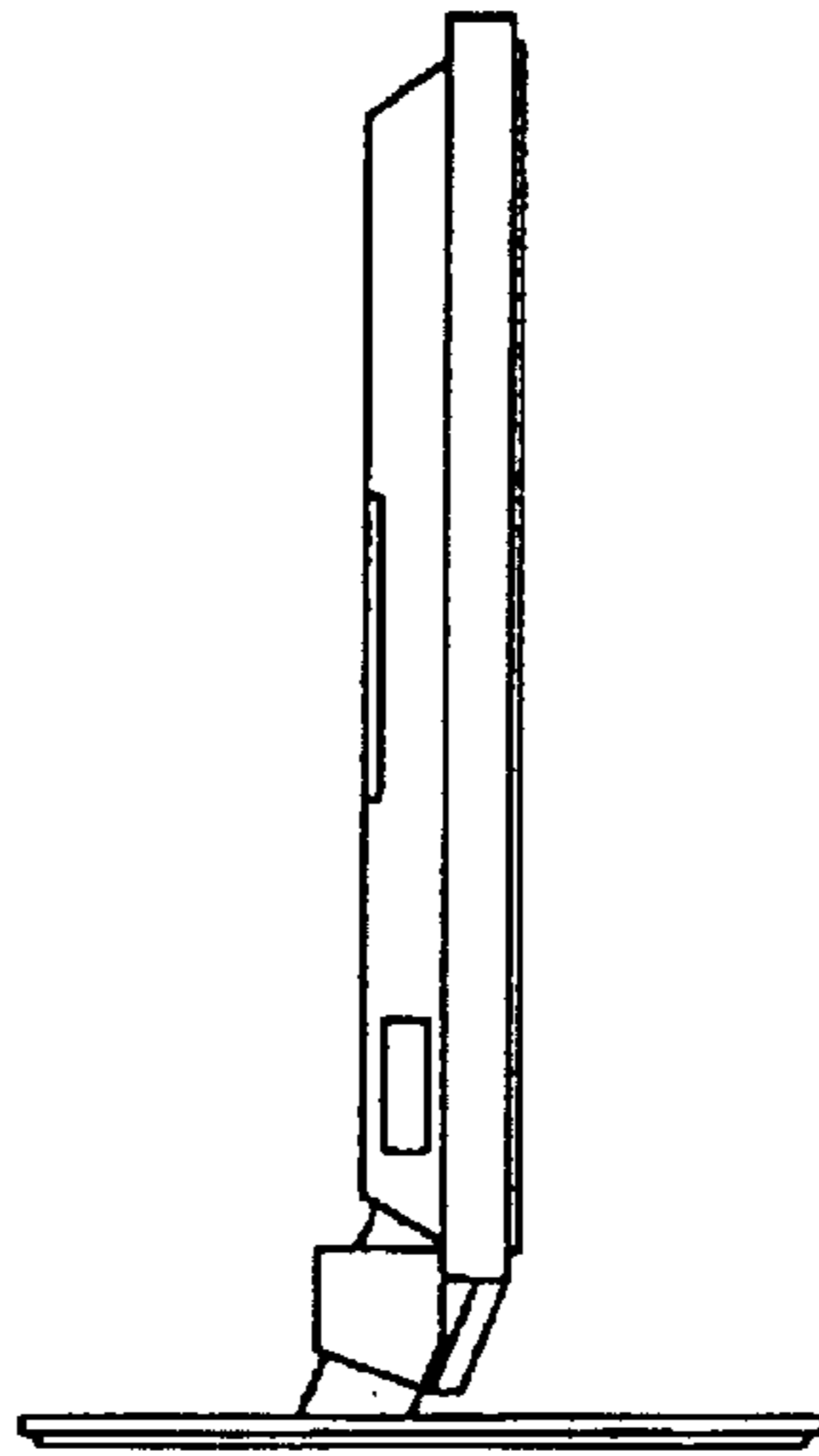


FIG. 5

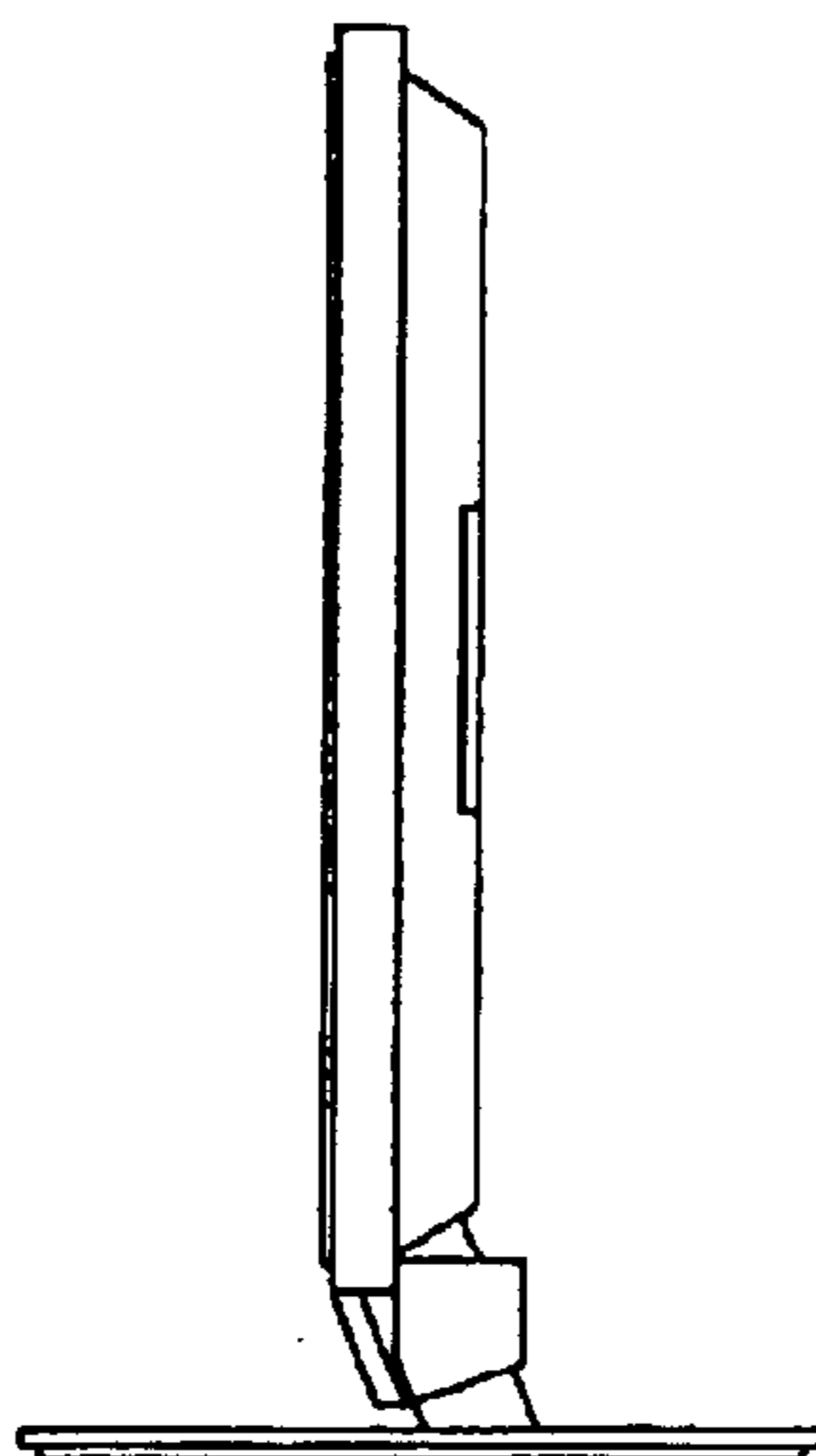


FIG. 6

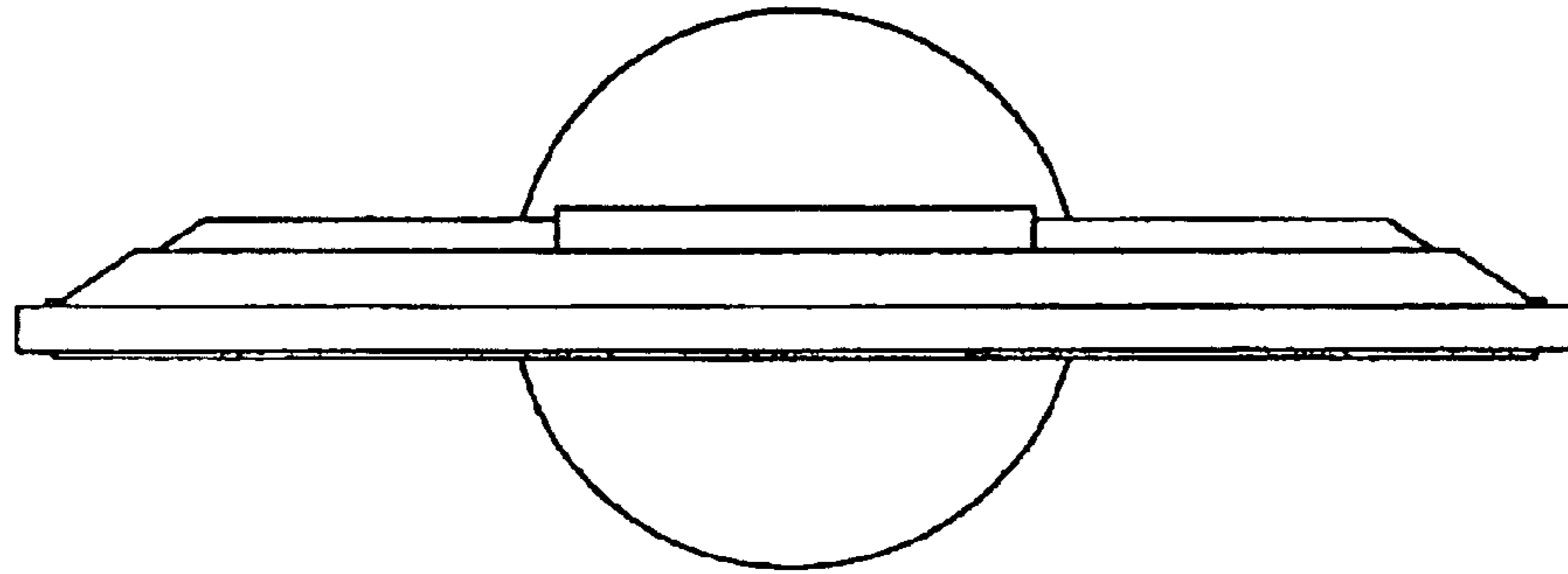


FIG. 7

