

US00D494938S1

(12) **United States Design Patent**
Kamada

(10) **Patent No.:** **US D494,938 S**
(45) **Date of Patent:** **** Aug. 24, 2004**

(54) **LIGHT EMITTING DIODE**

(75) **Inventor:** **Kazuhiro Kamada, Anan (JP)**

(73) **Assignee:** **Nichia Corporation, Anan (JP)**

(**) **Term:** **14 Years**

(21) **Appl. No.:** **29/170,763**

(22) **Filed:** **Nov. 13, 2002**

(30) **Foreign Application Priority Data**

May 13, 2002	(JP)	2002-012607
May 13, 2002	(JP)	2002-012608
May 13, 2002	(JP)	2002-012609
May 13, 2002	(JP)	2002-012610

(51) **LOC (7) Cl.** **13-03**

(52) **U.S. Cl.** **D13/182**

(58) **Field of Search** D13/182; D10/104,
D10/106; D26/37; 257/88, 89, 93-96, 98,
99; 313/161, 499, 500; 345/39, 46, 82,
84; 361/800, 820; 362/183, 249, 800; 372/45

(56) **References Cited**

U.S. PATENT DOCUMENTS

6,345,903	B1	*	2/2002	Koike et al.	362/249
6,355,946	B1	*	3/2002	Ishinaga	257/98
6,396,082	B1	*	5/2002	Fukasawa et al.	257/79
6,459,130	B1	*	10/2002	Arndt et al.	257/432

6,486,543	B1	*	11/2002	Sano et al.	257/684
6,608,334	B1	*	8/2003	Ishinaga	257/100

FOREIGN PATENT DOCUMENTS

JP	D1046447	S	8/1999
JP	D1081435	S	7/2000
JP	D1095961	S	1/2001

* cited by examiner

Primary Examiner—Philip S. Hyder

Assistant Examiner—Selina Sikder

(74) *Attorney, Agent, or Firm*—Smith Patent Office

(57) **CLAIM**

I claim the ornamental design for the light emitting diode, as shown and described.

DESCRIPTION

FIG. 1 is a rear elevation view of the light emitting diode showing my new design;

FIG. 2 is a left side elevation view thereof;

FIG. 3 is a top plan view thereof;

FIG. 4 is a right side elevation view thereof;

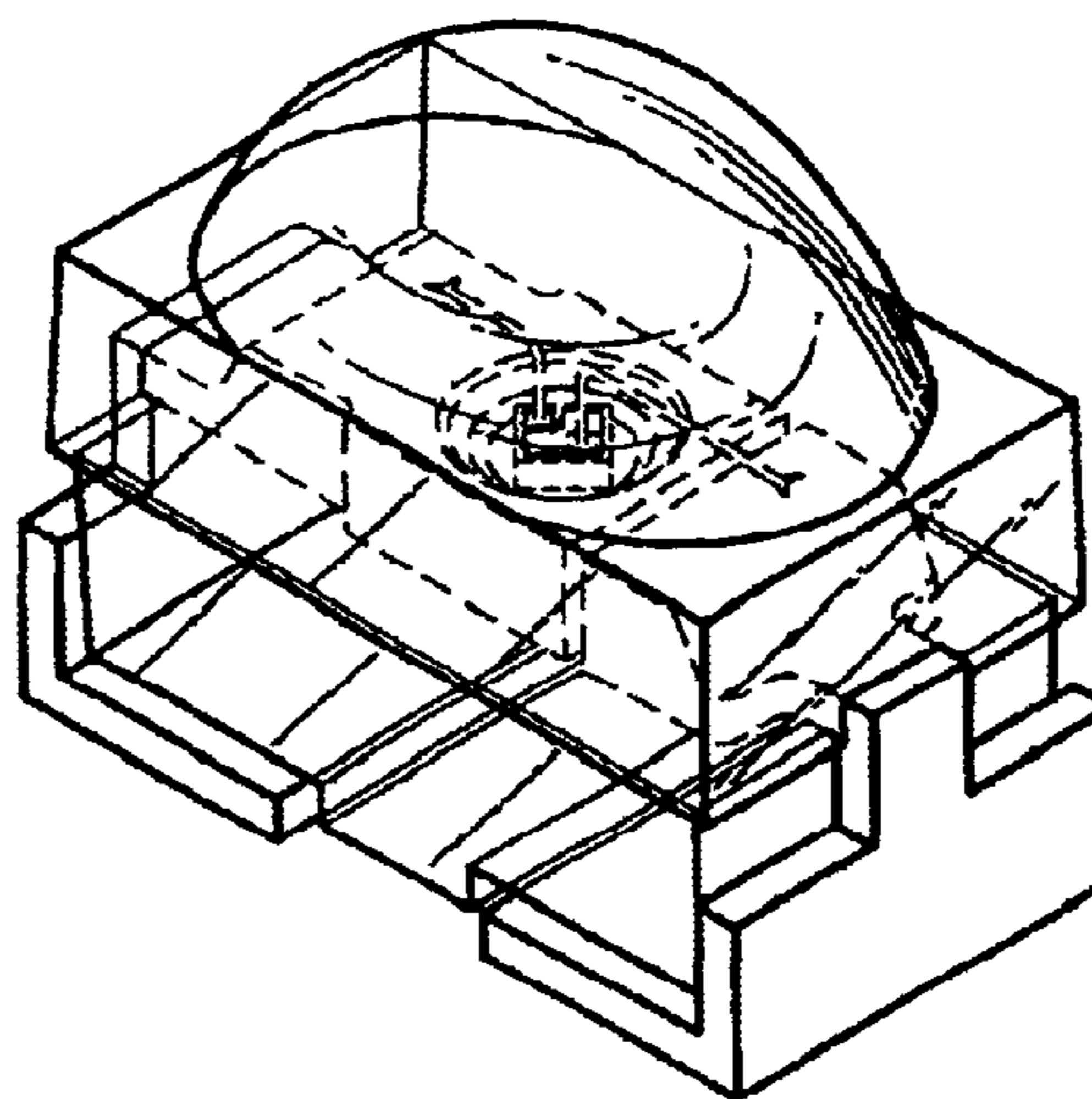
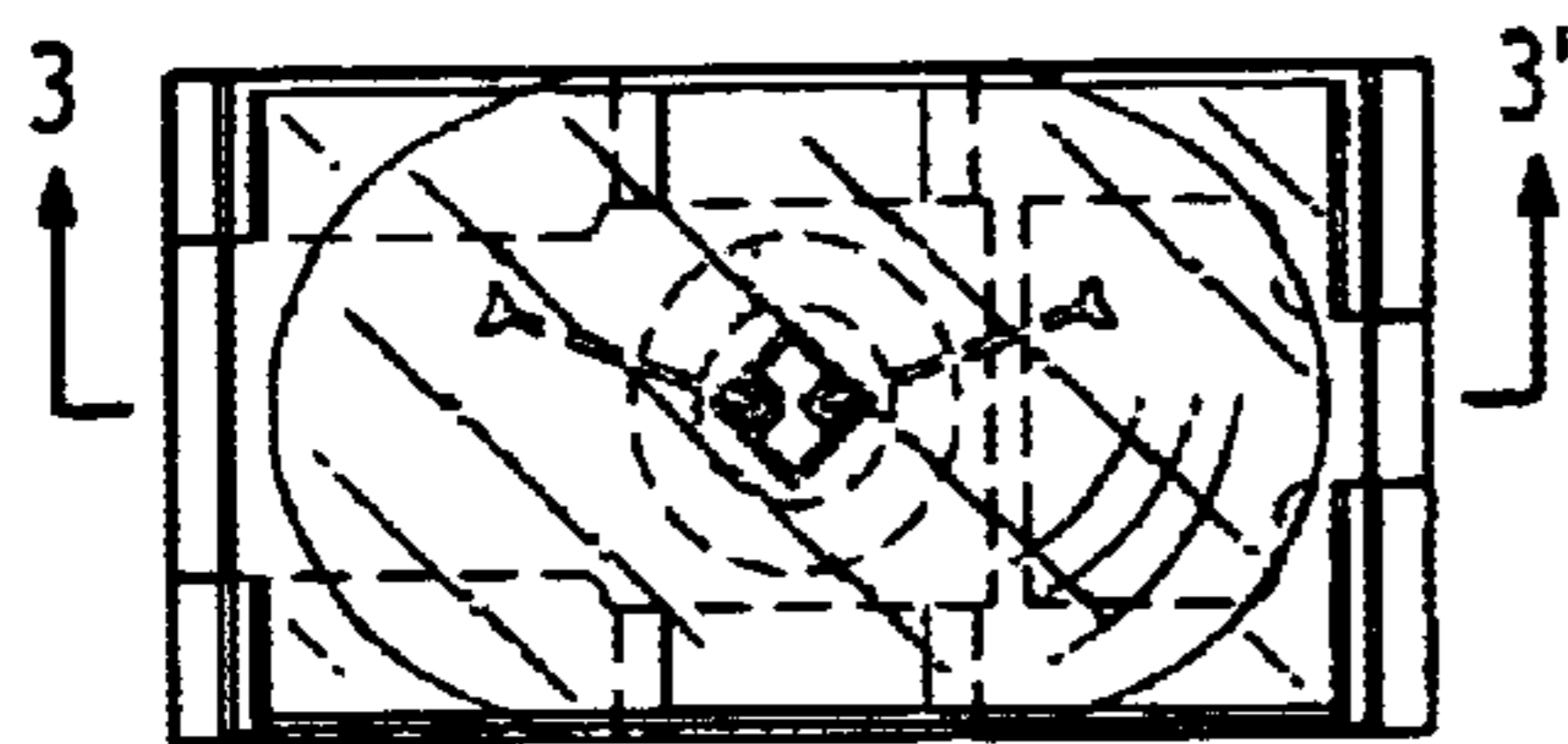
FIG. 5 is a front elevation view thereof;

FIG. 6 is a bottom plan view thereof;

FIG. 7 is a cross sectional view taken along line 3—3 of FIG. 3; and,

FIG. 8 is a perspective view thereof.

1 Claim, 2 Drawing Sheets



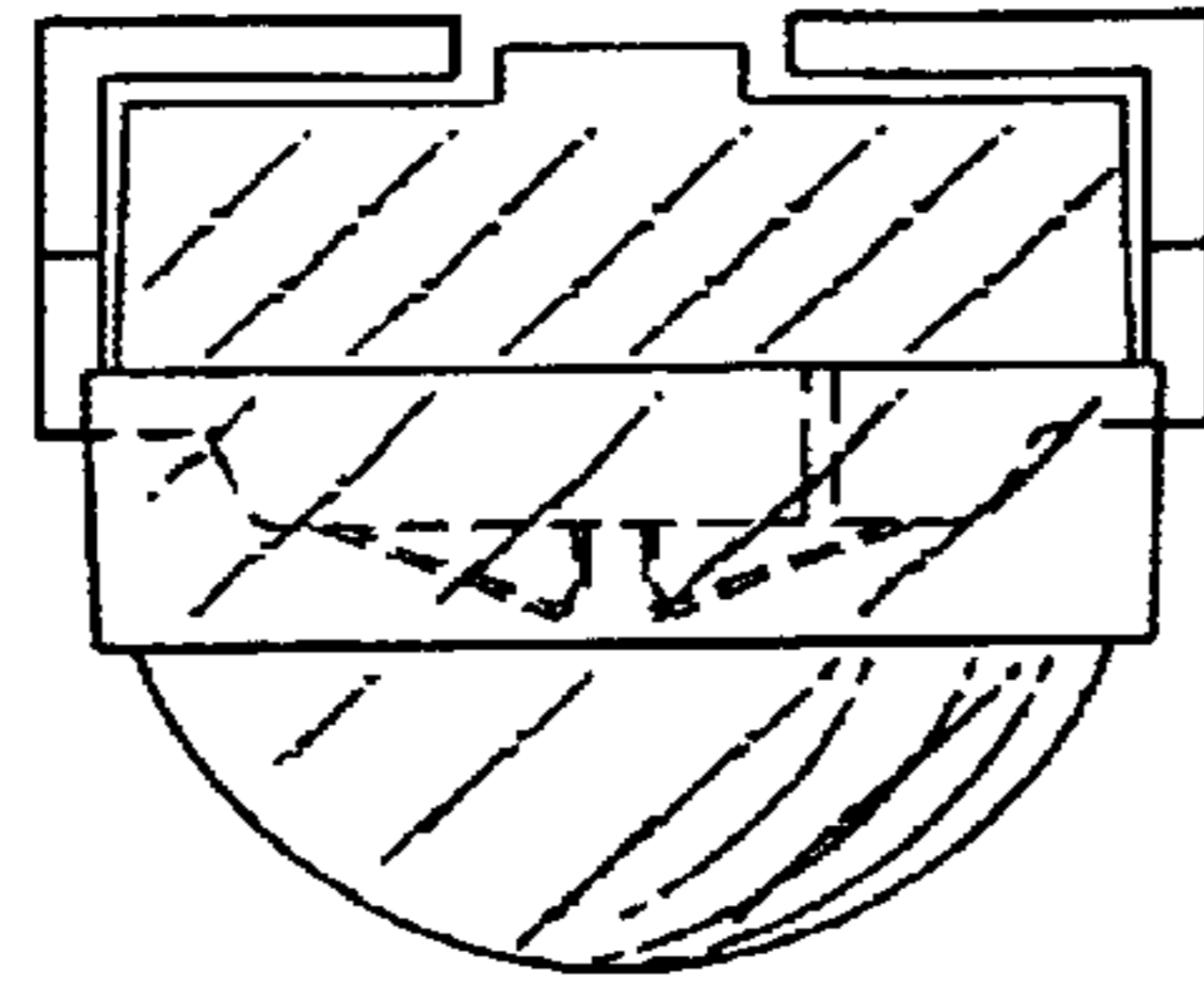


FIG. 1

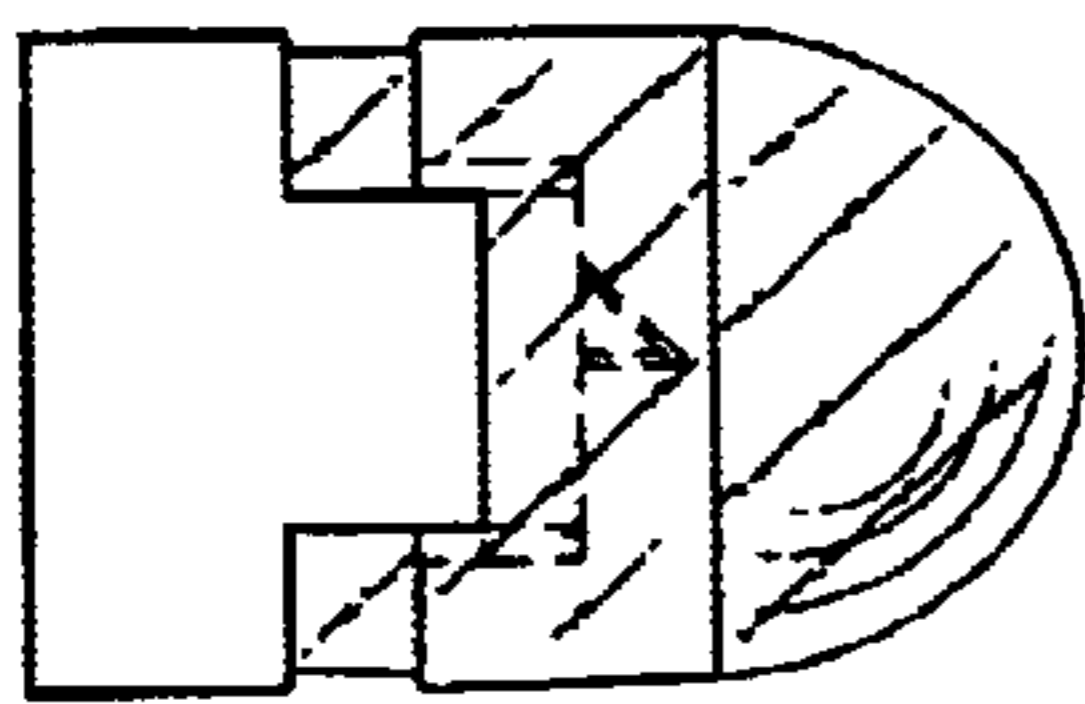


FIG. 2

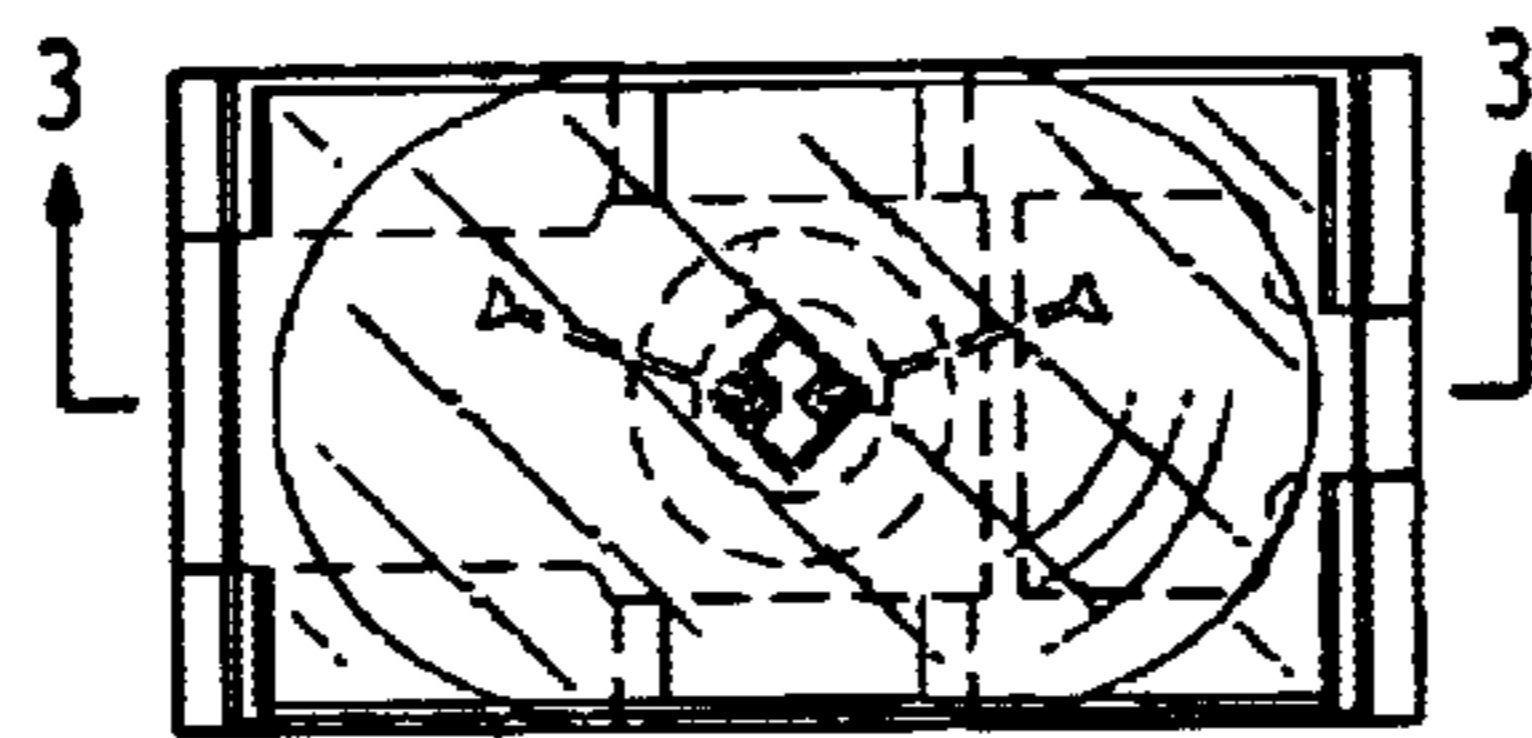


FIG. 3

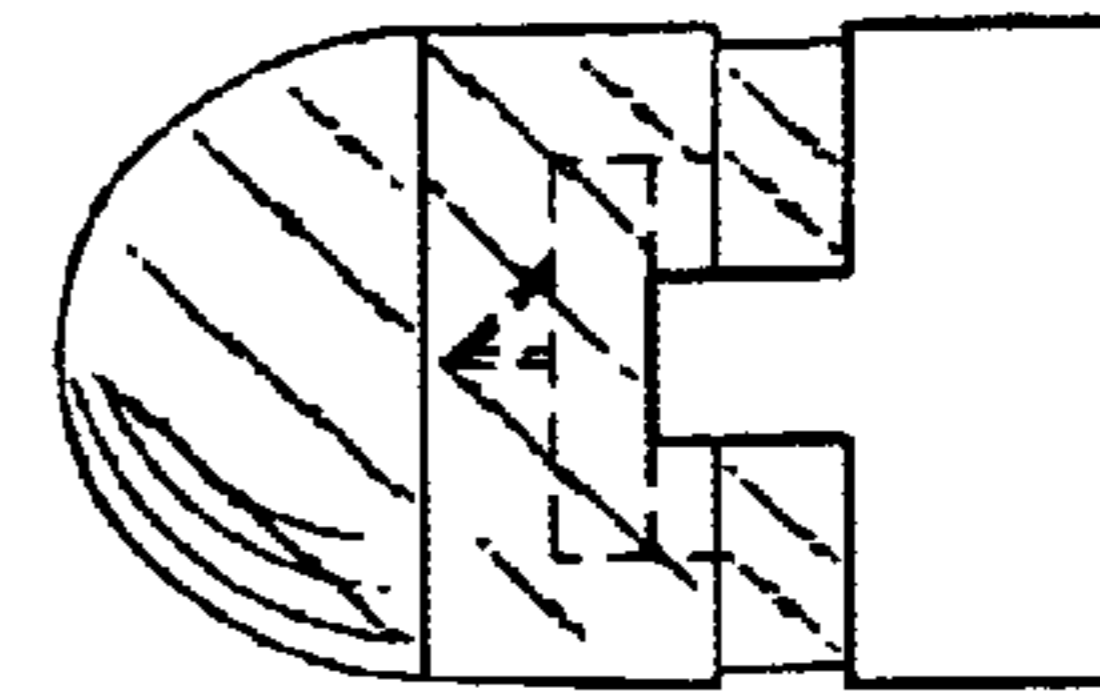


FIG. 4

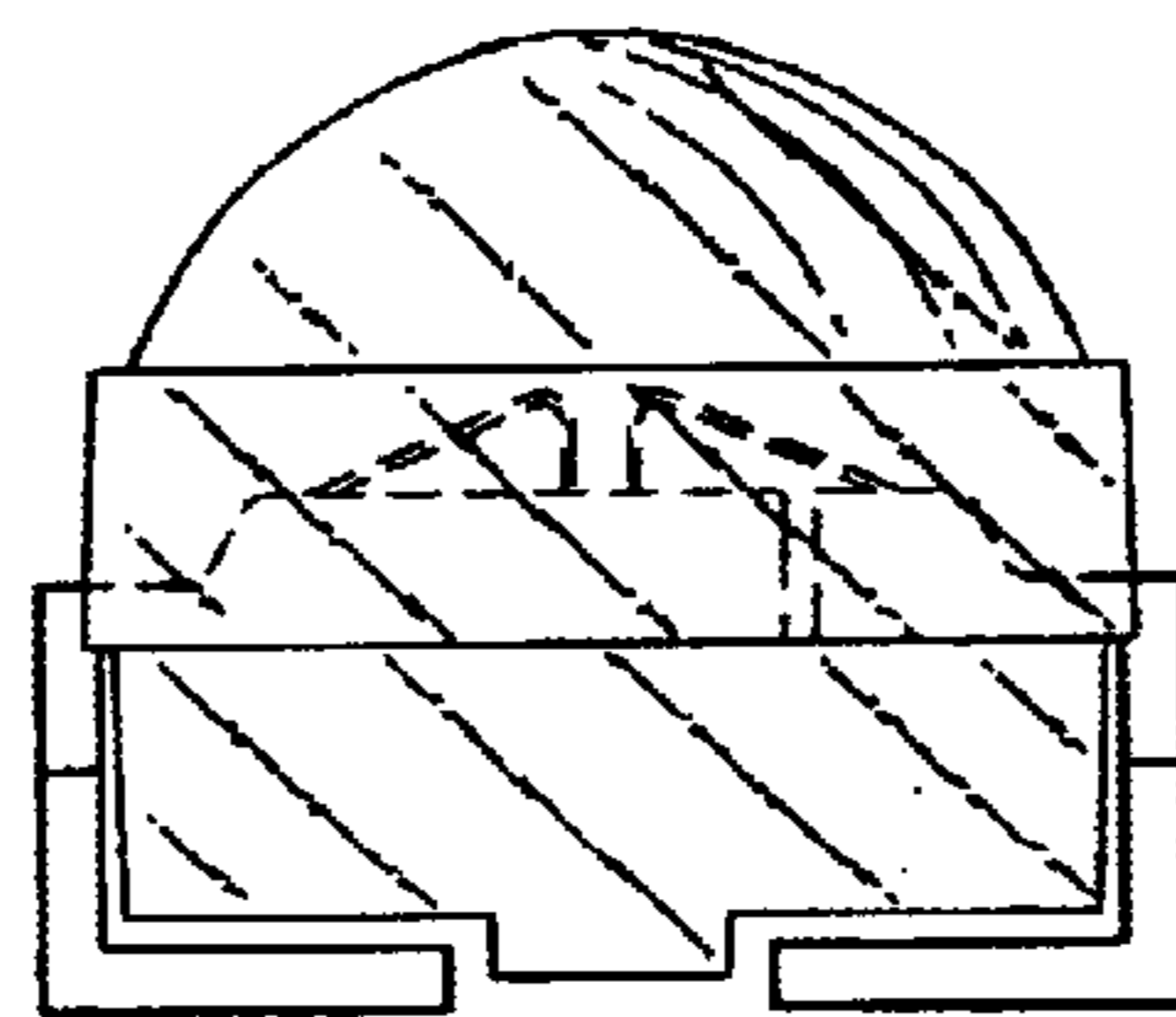


FIG. 5

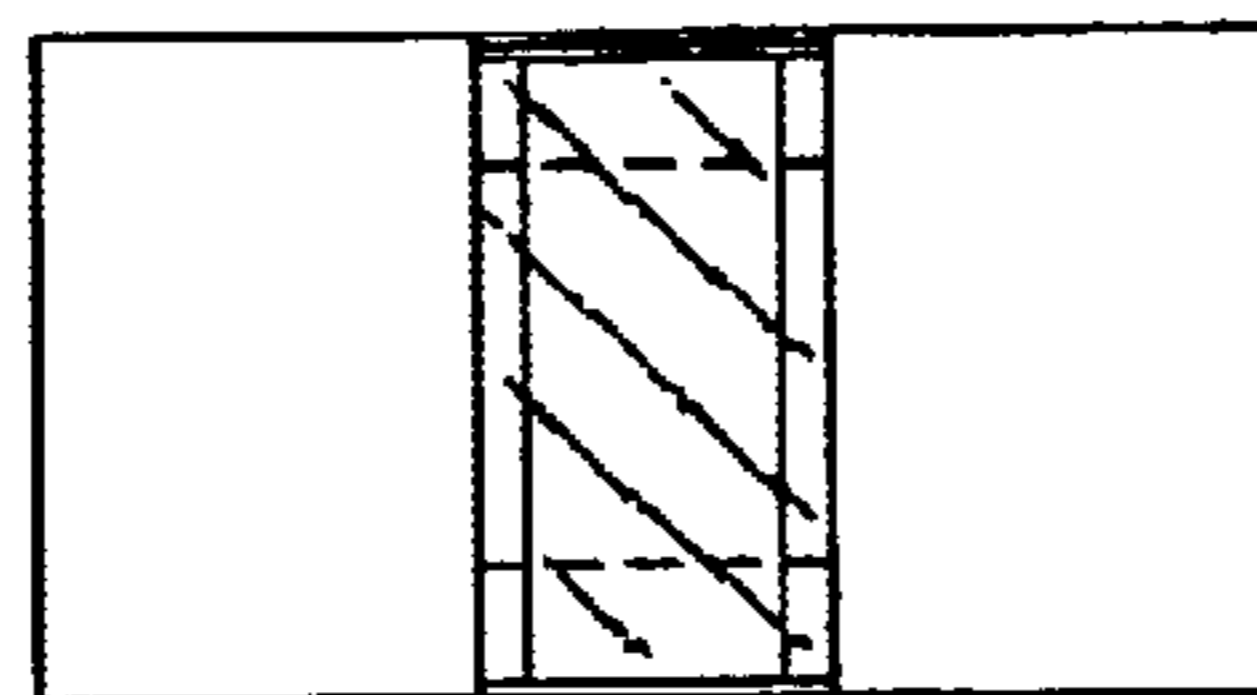
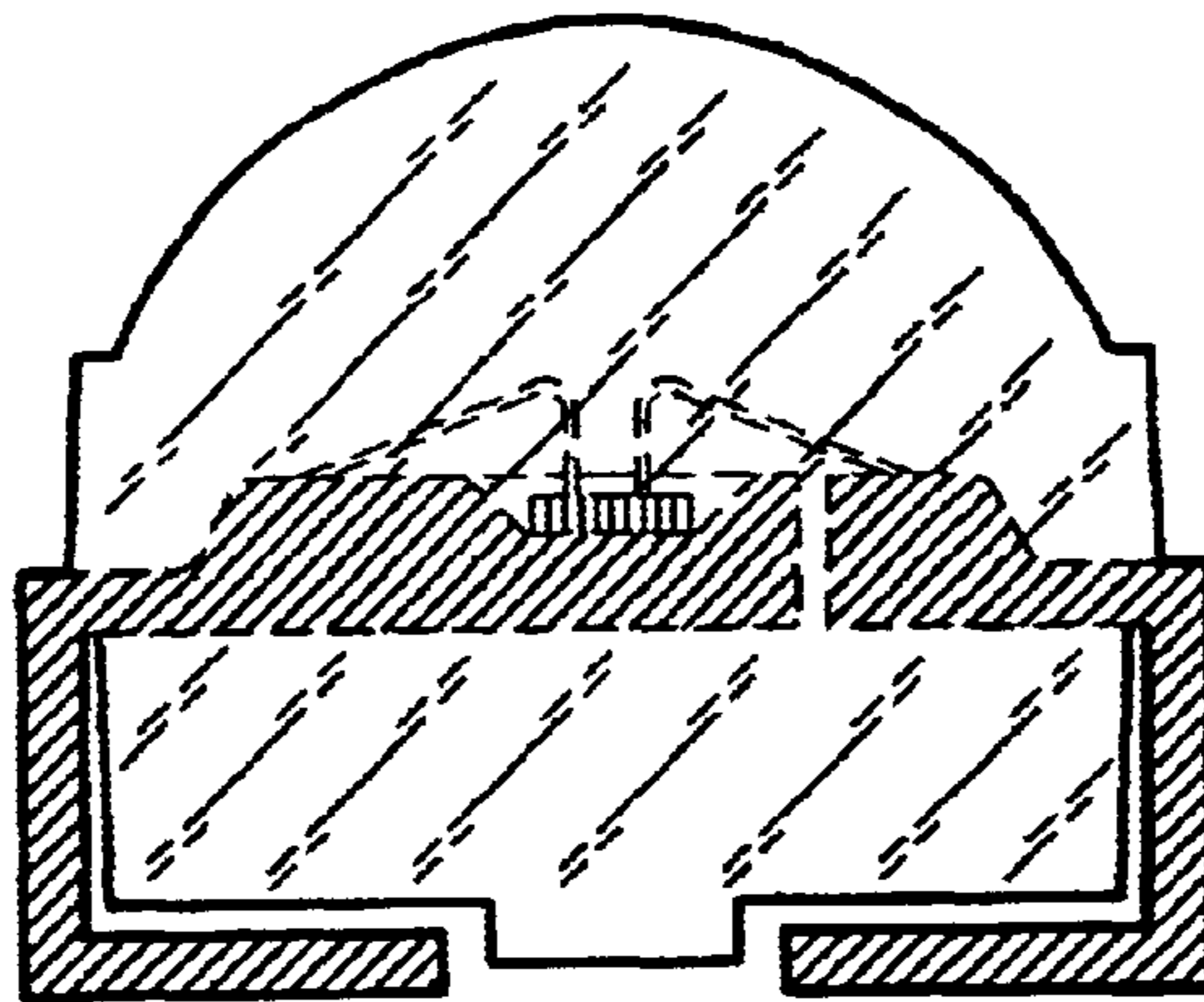


FIG. 6



3 - 3'

FIG. 7

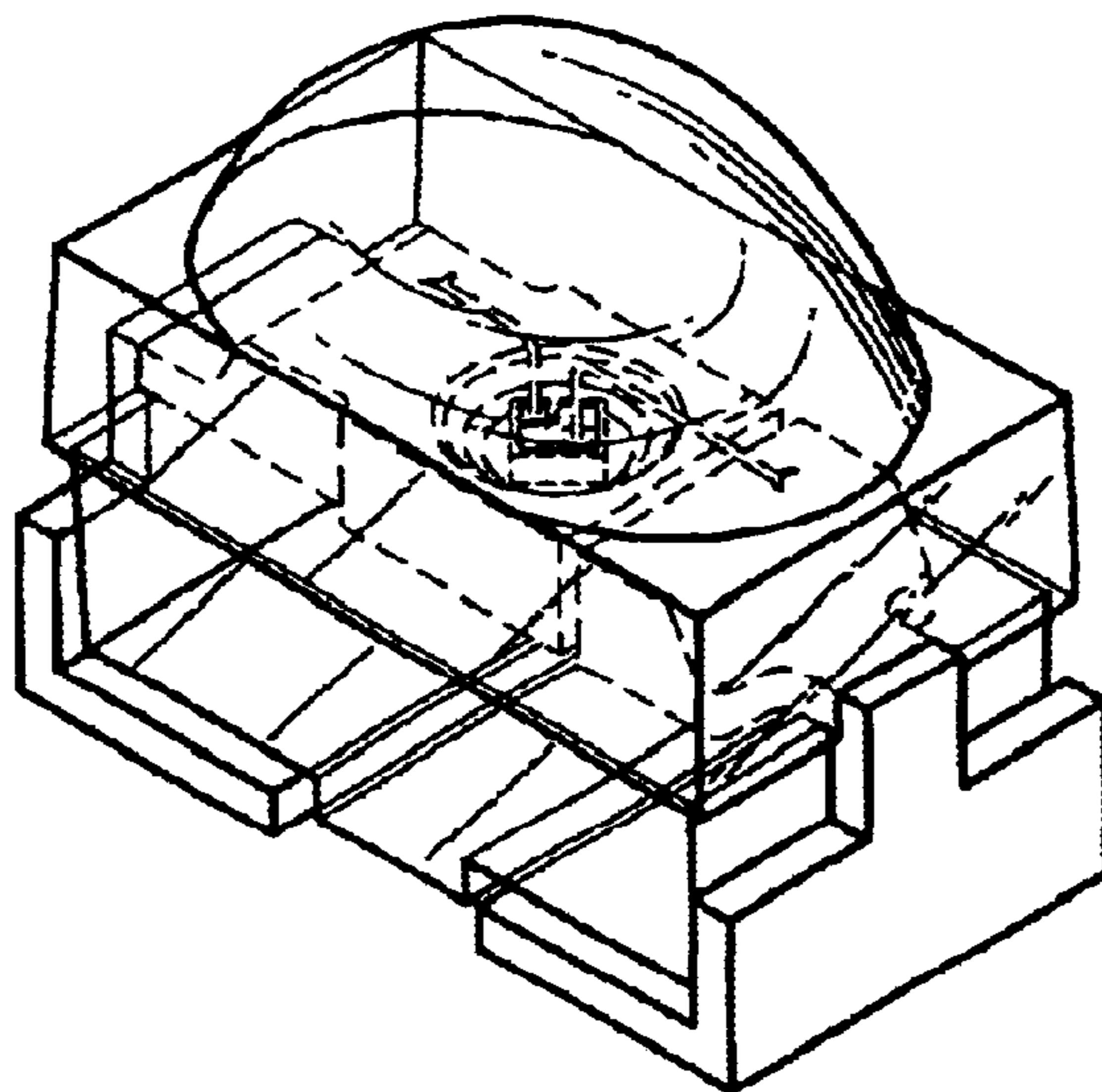


FIG. 8

UNITED STATES PATENT AND TRADEMARK OFFICE
CERTIFICATE OF CORRECTION

PATENT NO. : Des. 494,938 S
APPLICATION NO. : 29/170763
DATED : August 24, 2004
INVENTOR(S) : Kazuhiro Kamada


Page 1 of 1

It is certified that error appears in the above-identified patent and that said Letters Patent is hereby corrected as shown below:

On the Title Page, Item (75)
The correct inventor for this patent is: Ikuya NII

Signed and Sealed this

Thirty-first Day of July, 2007

A handwritten signature in black ink on a dotted background. The signature reads "Jon W. Dudas" in a cursive style.

JON W. DUDAS

Director of the United States Patent and Trademark Office