



US00D494934S1

(12) **United States Design Patent**  
**Milan**

(10) **Patent No.:** **US D494,934 S**

(45) **Date of Patent:** **\*\* Aug. 24, 2004**

(54) **DAISY CHAIN CONNECTOR FOR STACKABLE HUBS**

(76) Inventor: **Henry Milan**, 1709 Apple Ridge Ct., Rochester Hills, MI (US) 48306

(\*\*) Term: **14 Years**

(21) Appl. No.: **29/191,041**

(22) Filed: **Sep. 29, 2003**

**Related U.S. Application Data**

(62) Division of application No. 29/161,159, filed on May 23, 2002.

(51) **LOC (7) Cl.** ..... **13-03**

(52) **U.S. Cl.** ..... **D13/133**

(58) **Field of Search** ..... D13/133, 146, D13/147, 148; 361/724; 439/31, 208, 507, 511, 638, 639, 752, 752.5, 928

(56) **References Cited**

**U.S. PATENT DOCUMENTS**

4,501,460 A	2/1985	Sisler	
4,950,178 A *	8/1990	Harvey et al. ....	439/507
5,387,111 A *	2/1995	DeSantis et al. ....	439/65
5,645,434 A	7/1997	Leung	
5,838,548 A	11/1998	Matz et al. ....	361/784
D425,860 S *	5/2000	Goto .....	D13/133
6,059,614 A	5/2000	Shelby et al.	

D426,612 S	6/2000	Primeau, IV	
6,137,686 A	10/2000	Saye et al.	
6,141,221 A	10/2000	Tong et al. ....	361/724
D448,736 S *	10/2001	Milan .....	D13/154
6,304,188 B1	10/2001	Subak et al.	
D450,303 S *	11/2001	Milan .....	D13/154
D451,480 S *	12/2001	Milan .....	D13/154
6,462,953 B2	10/2002	Tong et al. ....	361/732
6,607,408 B2	8/2003	Milan	

\* cited by examiner

*Primary Examiner*—Philip S. Hyder

(74) *Attorney, Agent, or Firm*—MacMillan, Sobanski & Todd, LLC

(57) **CLAIM**

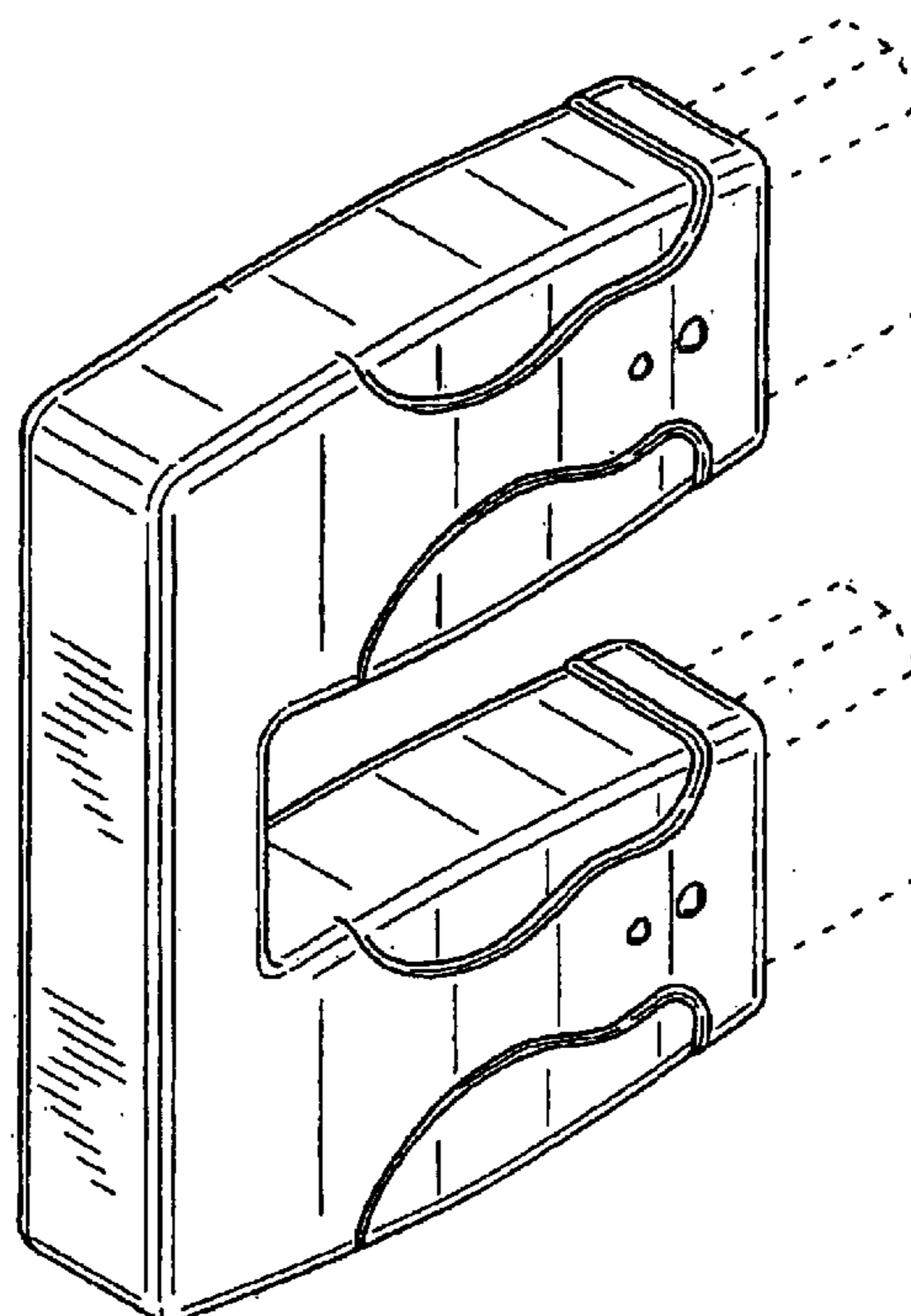
The ornamental design for a daisy chain connector for stackable hubs, as shown and described.

**DESCRIPTION**

FIG. 1 is a perspective view showing my new design. FIG. 2 is a front elevational view thereof. FIG. 3 is a right side elevational view thereof. FIG. 4 is a left side elevational view thereof. FIG. 5 is a rear elevational view thereof. FIG. 6 is a top plan view thereof; and, FIG. 7 is a bottom plan view thereof.

The broken line portions of the disclosure are for illustrative purposes only and form no part of the claimed design.

**1 Claim, 2 Drawing Sheets**



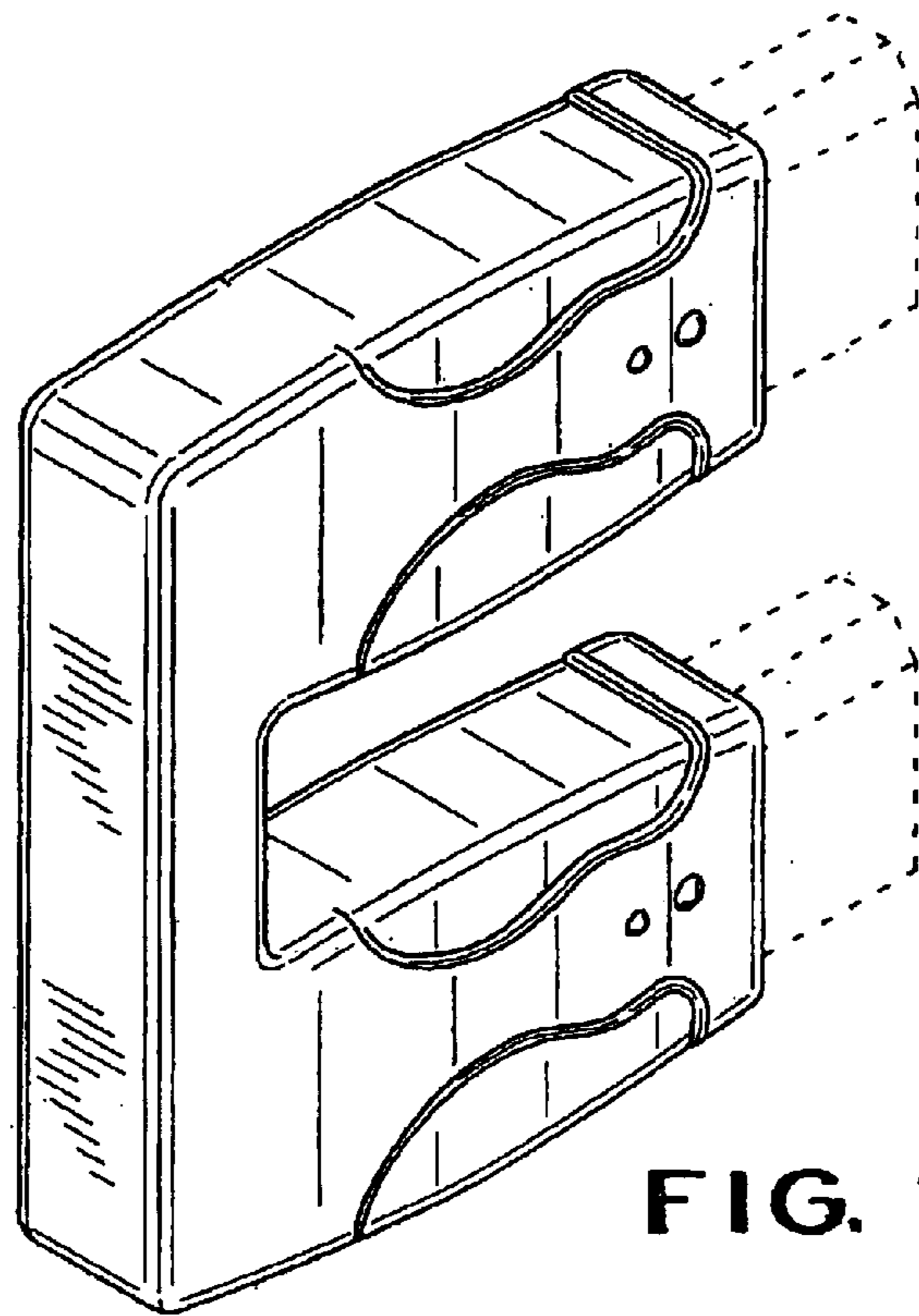


FIG. 1

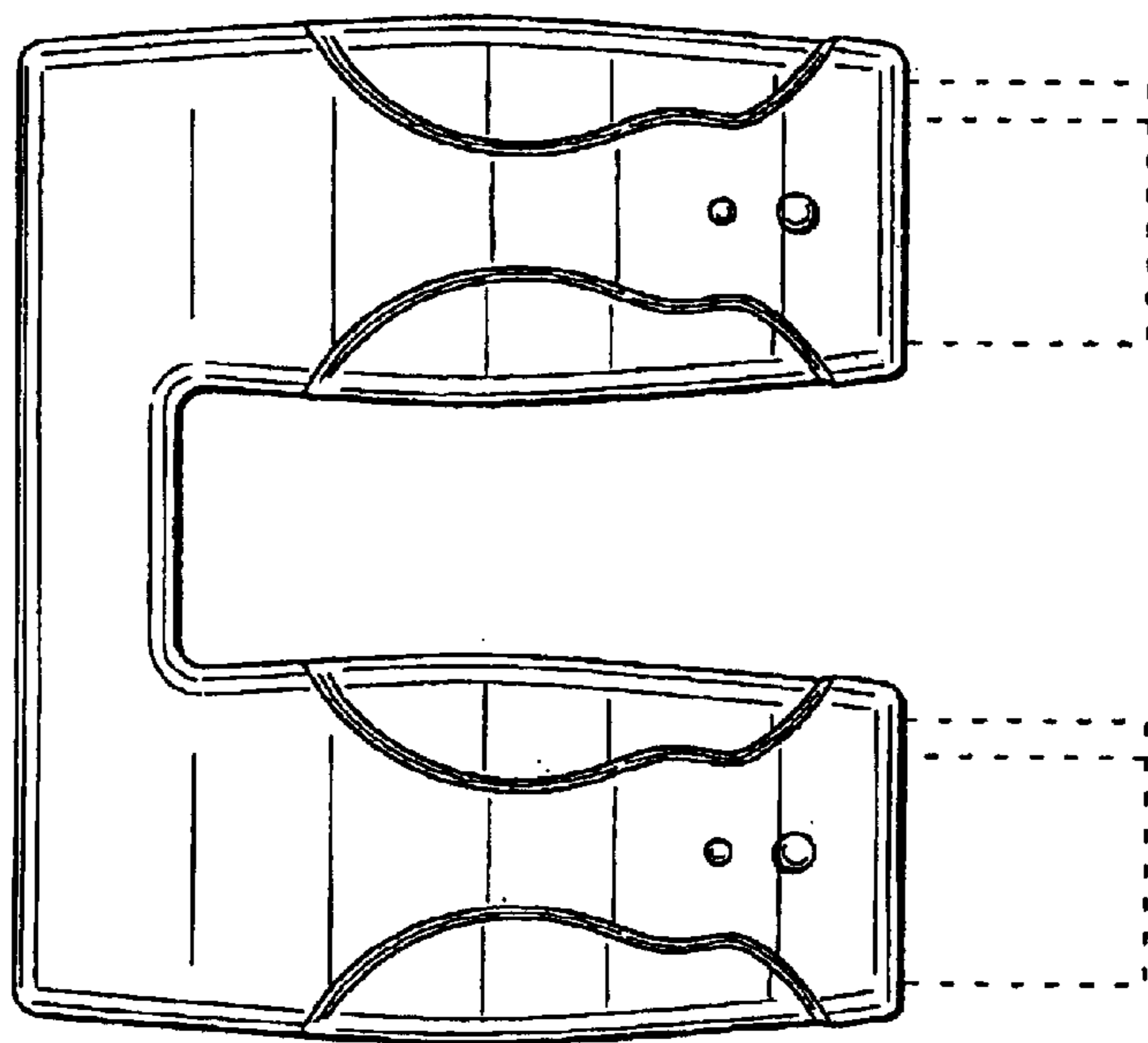


FIG. 2



FIG. 3



FIG. 4

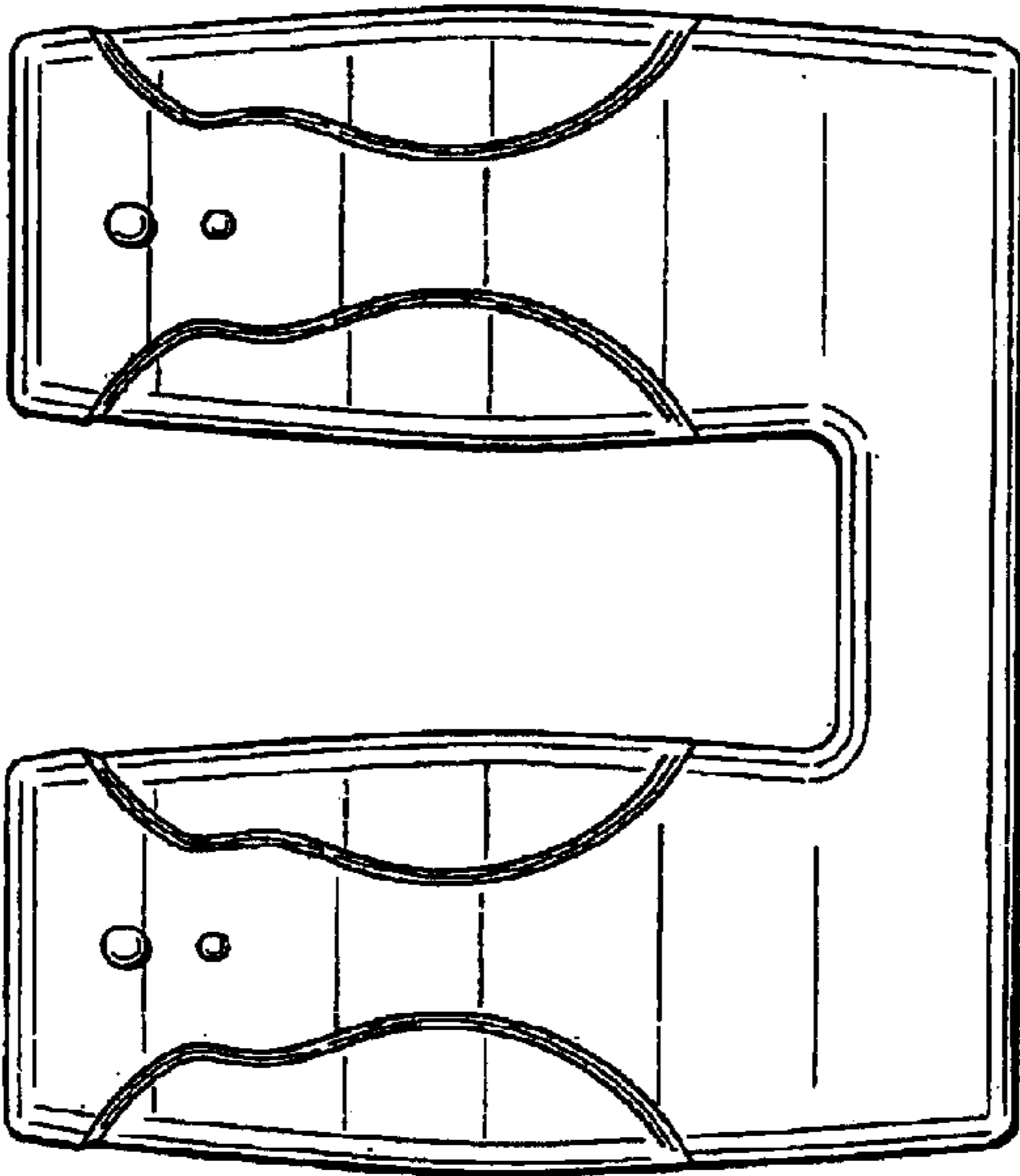


FIG. 5

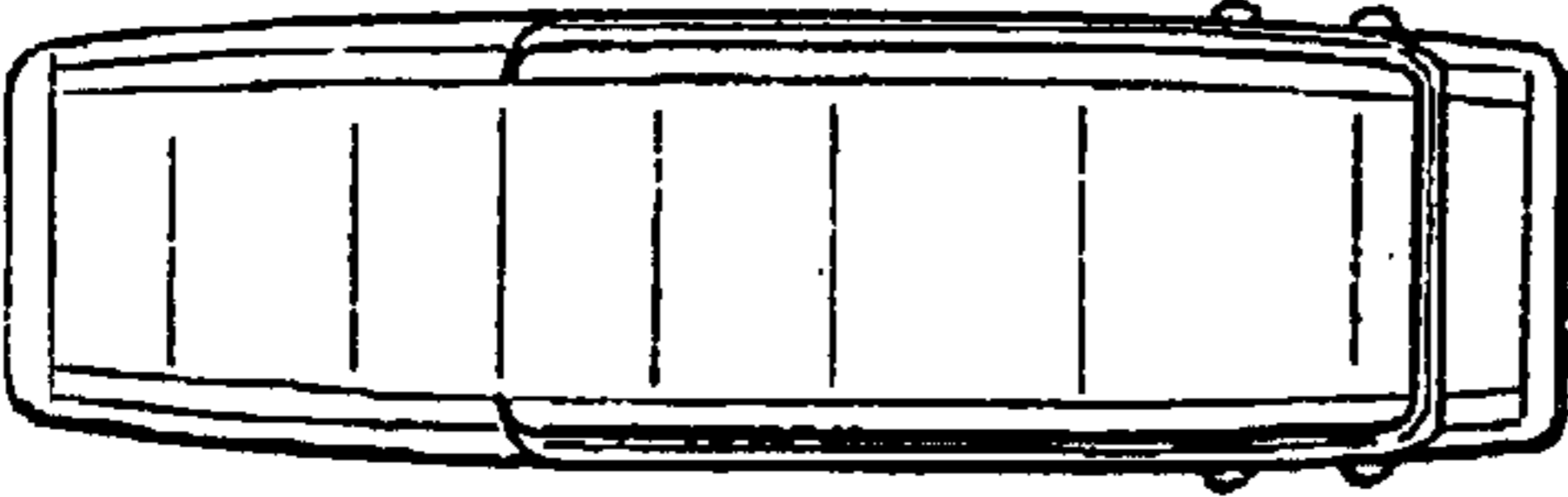


FIG. 6

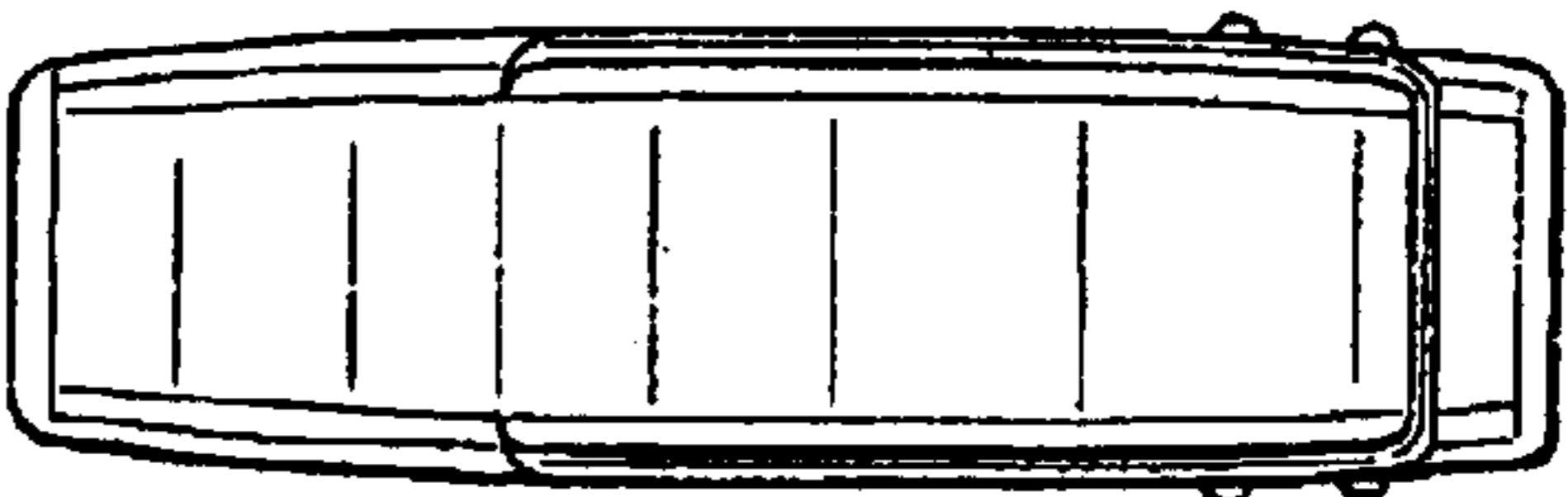


FIG. 7