



US00D494933S1

(12) **United States Design Patent** (10) **Patent No.:** **US D494,933 S**  
**Lu** (45) **Date of Patent:** **\*\* Aug. 24, 2004**

(54) **ELECTRICITY CONNECTOR**

(75) Inventor: **Frank Lu, Chang Hwa (TW)**

(73) Assignee: **K.S. Terminals Inc. (TW)**

(\*\*) Term: **14 Years**

(21) Appl. No.: **29/172,926**

(22) Filed: **Dec. 19, 2002**

(51) **LOC (7) Cl.** ..... **13-03**

(52) **U.S. Cl.** ..... **D13/133**

(58) **Field of Search** ..... D13/133, 146,  
D13/147; 439/248, 680, 696, 246, 278,  
597, 598

(56) **References Cited**

**U.S. PATENT DOCUMENTS**

D318,718 S	*	7/1991	Blatt	.....	D23/262
D324,028 S	*	2/1992	Sueyoshi et al.	.....	D13/133
D329,639 S	*	9/1992	Arvanitakis et al.	.....	D13/165
D366,242 S	*	1/1996	Goto	.....	D13/147
D367,040 S	*	2/1996	Hamada	.....	D13/147
D425,869 S	*	5/2000	Yokomizo et al.	.....	D13/147

D462,054 S \* 8/2002 Ma et al. .... D13/133

\* cited by examiner

*Primary Examiner*—Philip S. Hyder

(74) *Attorney, Agent, or Firm*—Charles E. Baxley

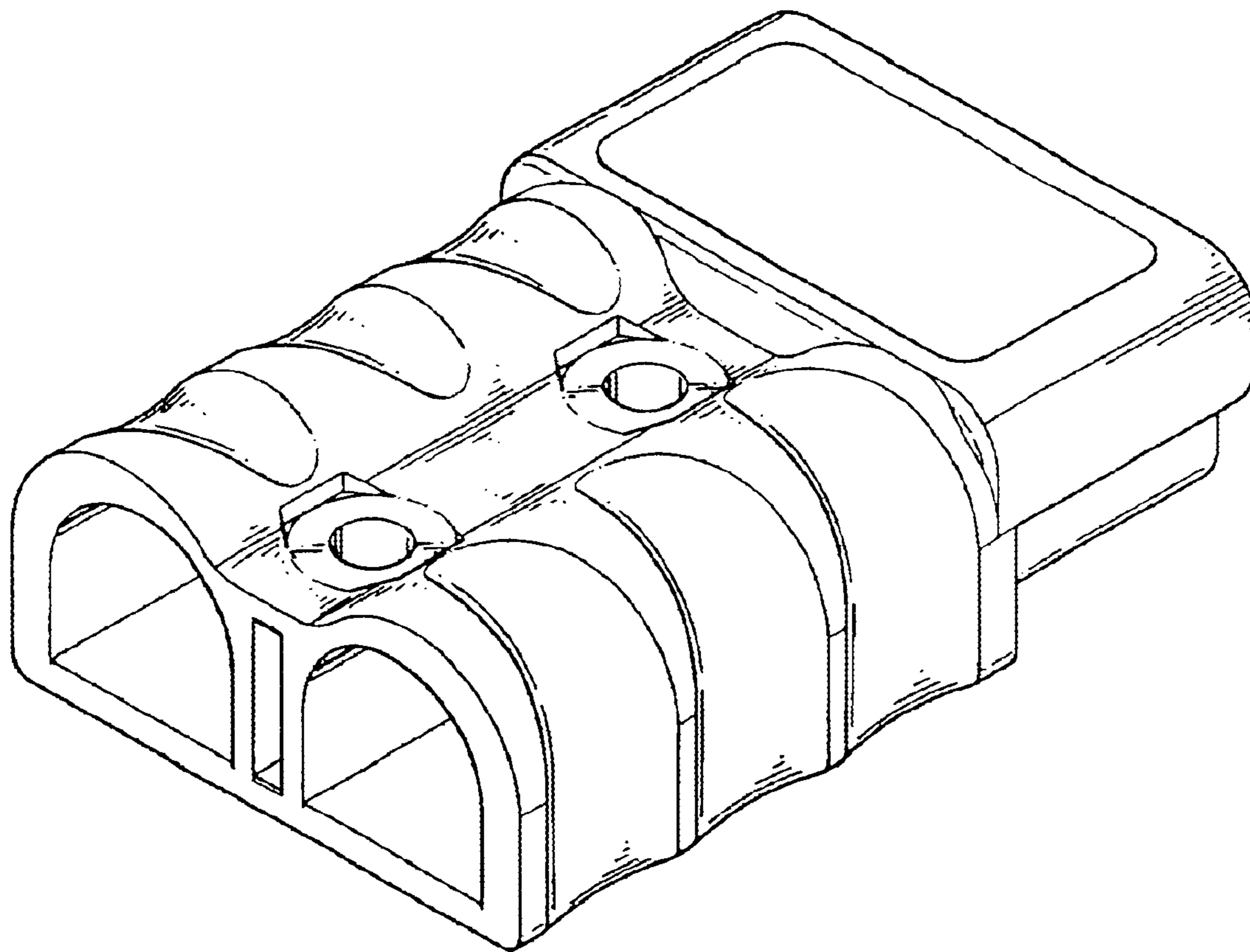
(57) **CLAIM**

The ornamental design for an electricity connector, as shown and described.

**DESCRIPTION**

FIG. 1 is a perspective view of an electricity connector showing my new design; FIG. 2 is a front elevational view thereof; FIG. 3 is a rear elevational view thereof, FIG. 4 is a left side elevational view thereof, FIG. 5 is a right side elevational view thereof, FIG. 6 is a top plan view thereof; and FIG. 7 is a bottom plan view to that shown; and, FIG. 8 is a perspective view of electricity connector, the broken lines shown are for illustrative purposes only and from no part of the claimed design.

**1 Claim, 8 Drawing Sheets**



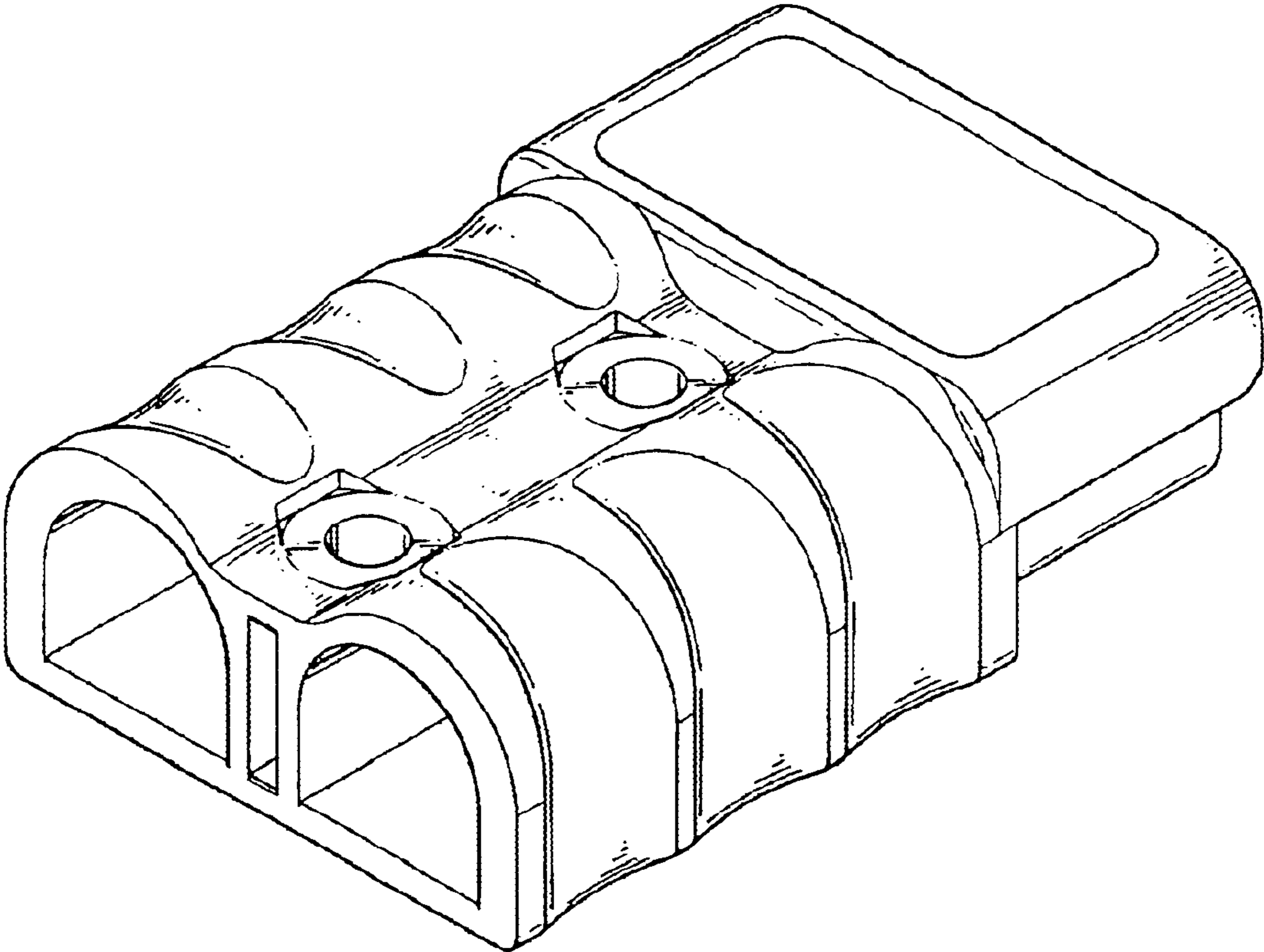


FIG. 1

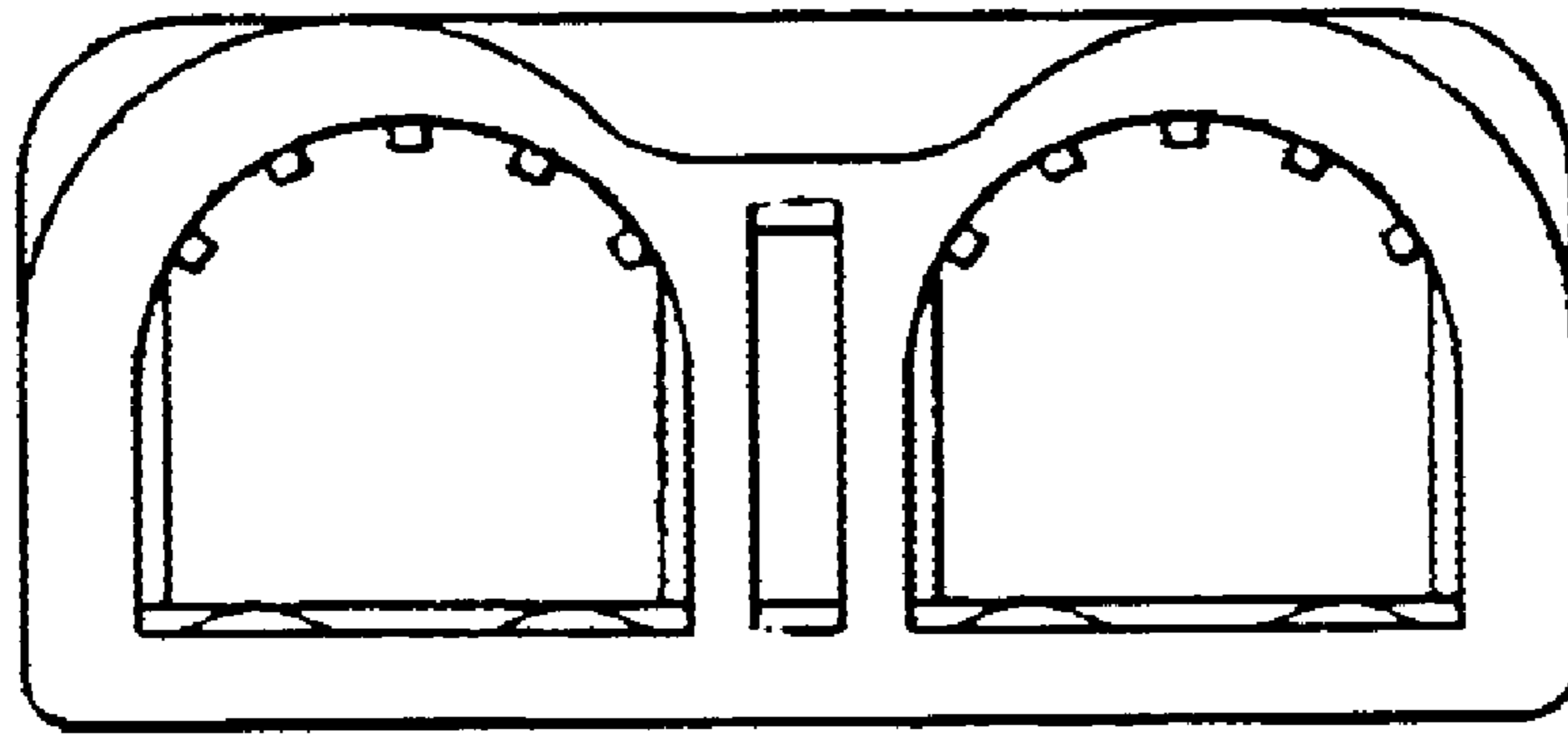


FIG. 2

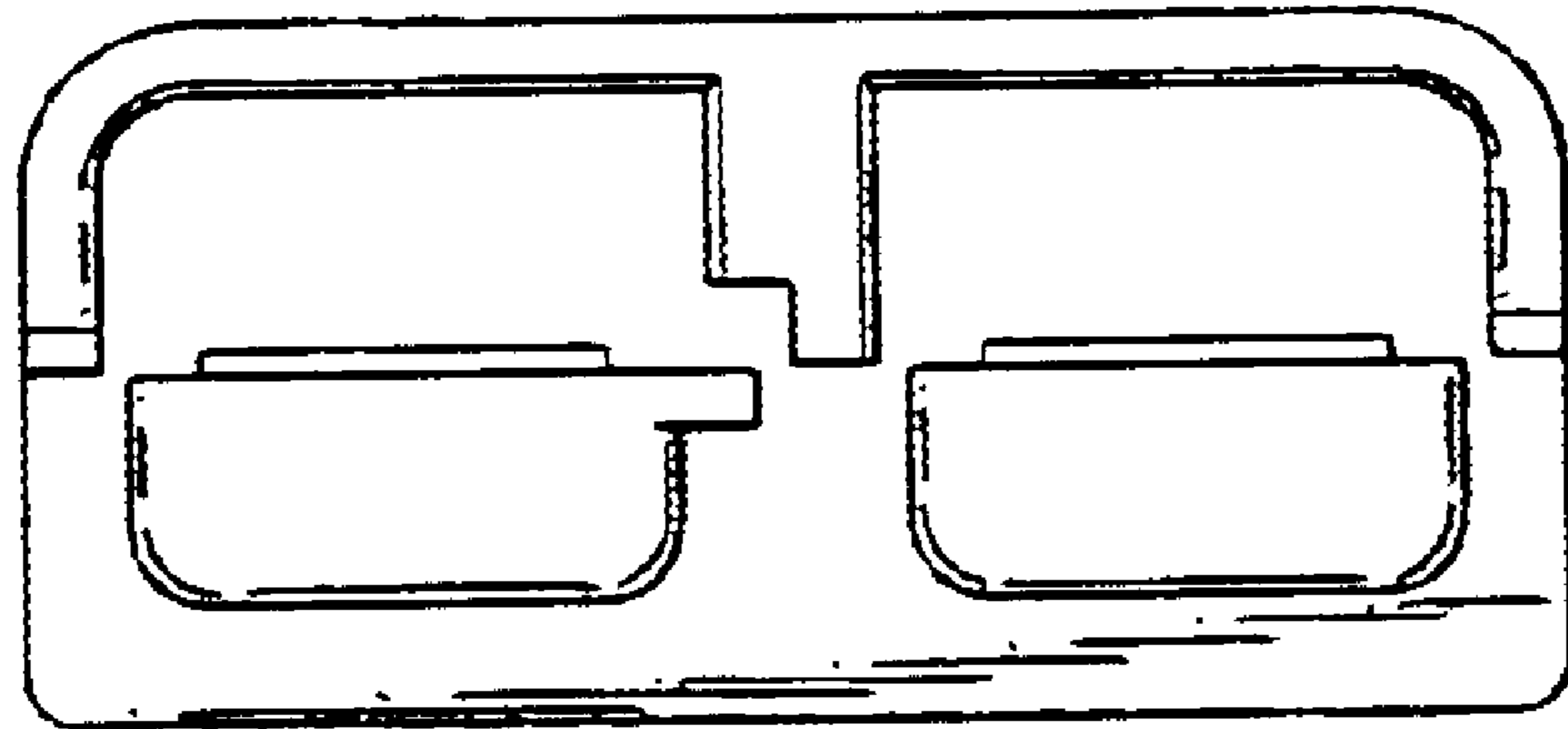


FIG. 3

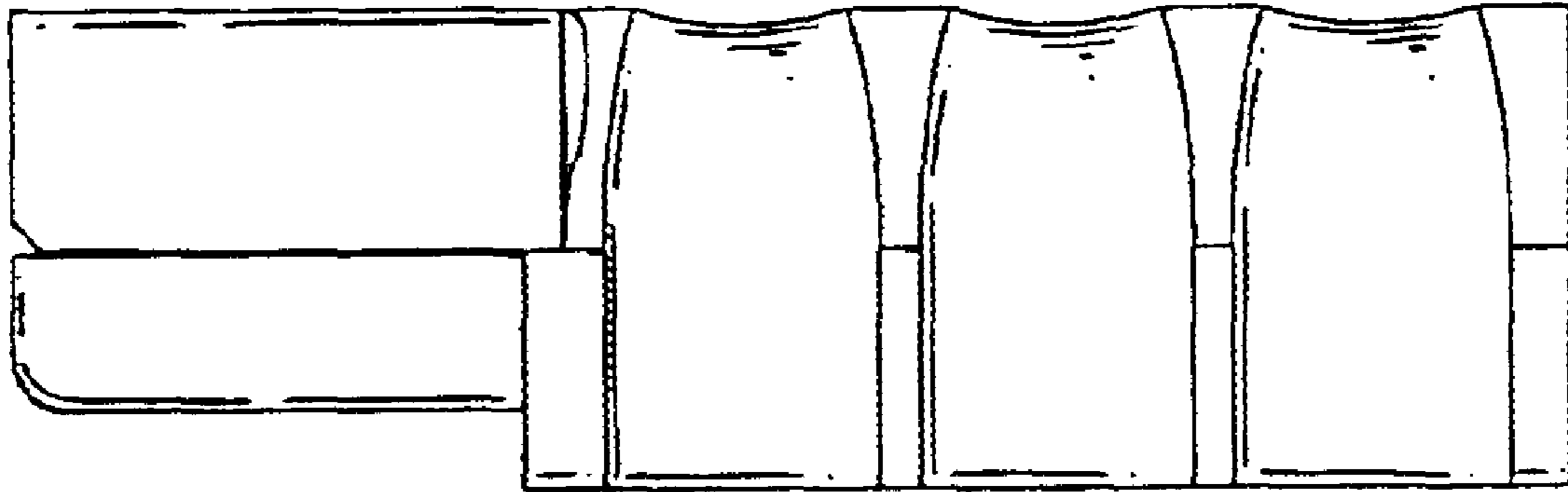


FIG. 4

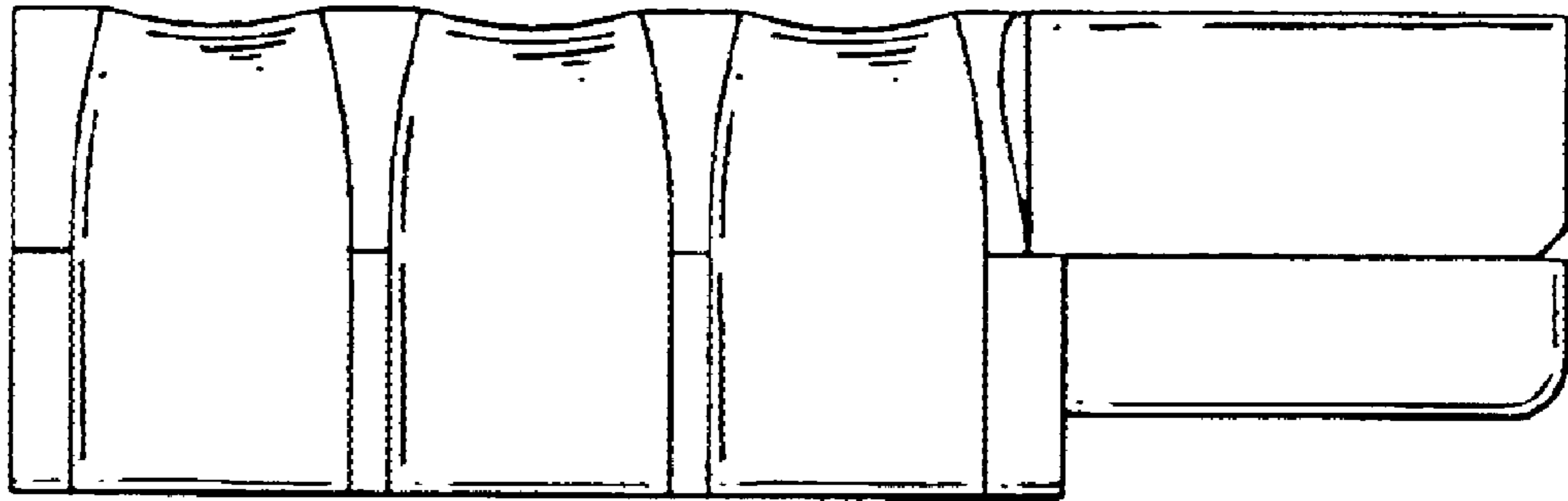


FIG. 5

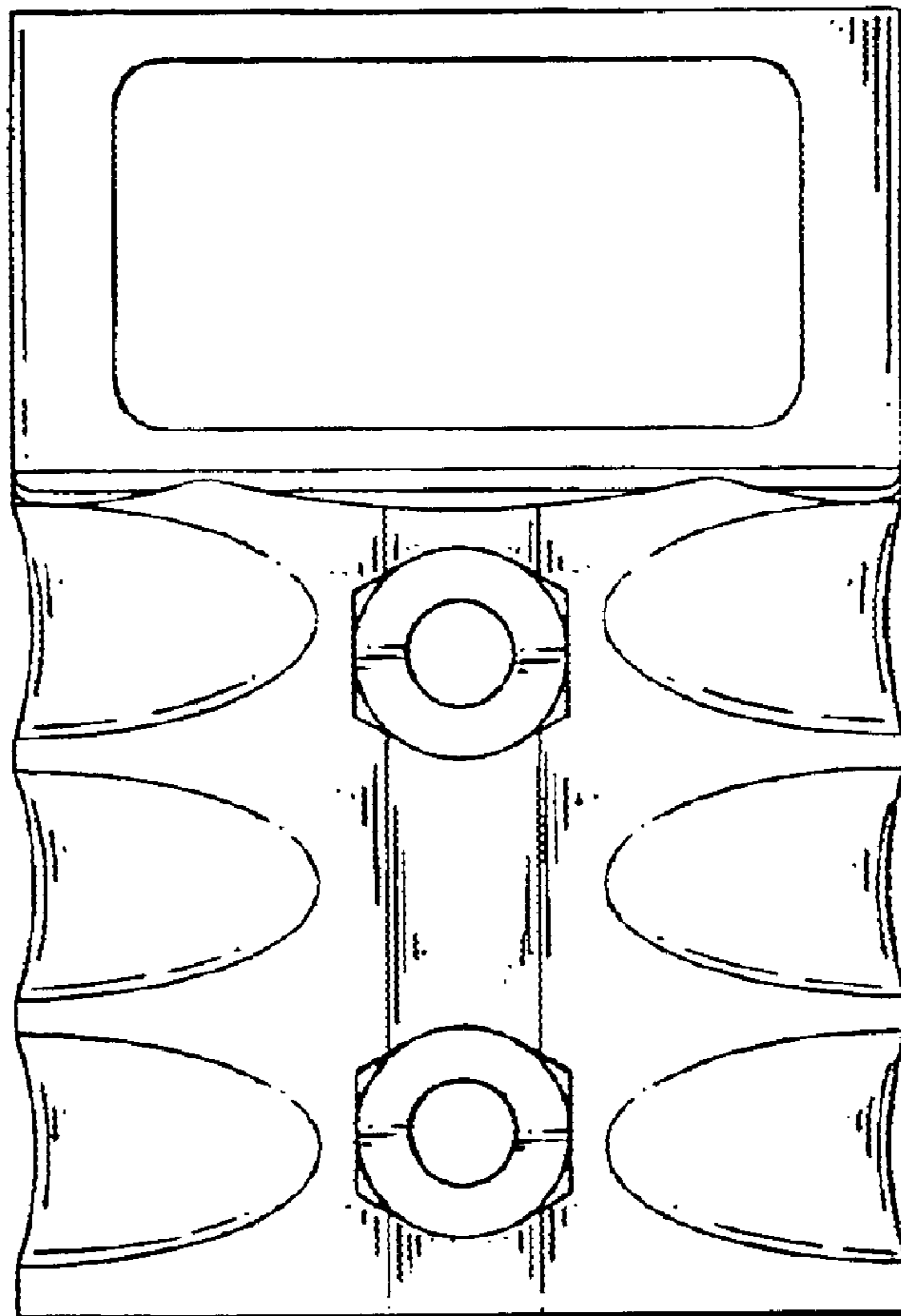


FIG. 6

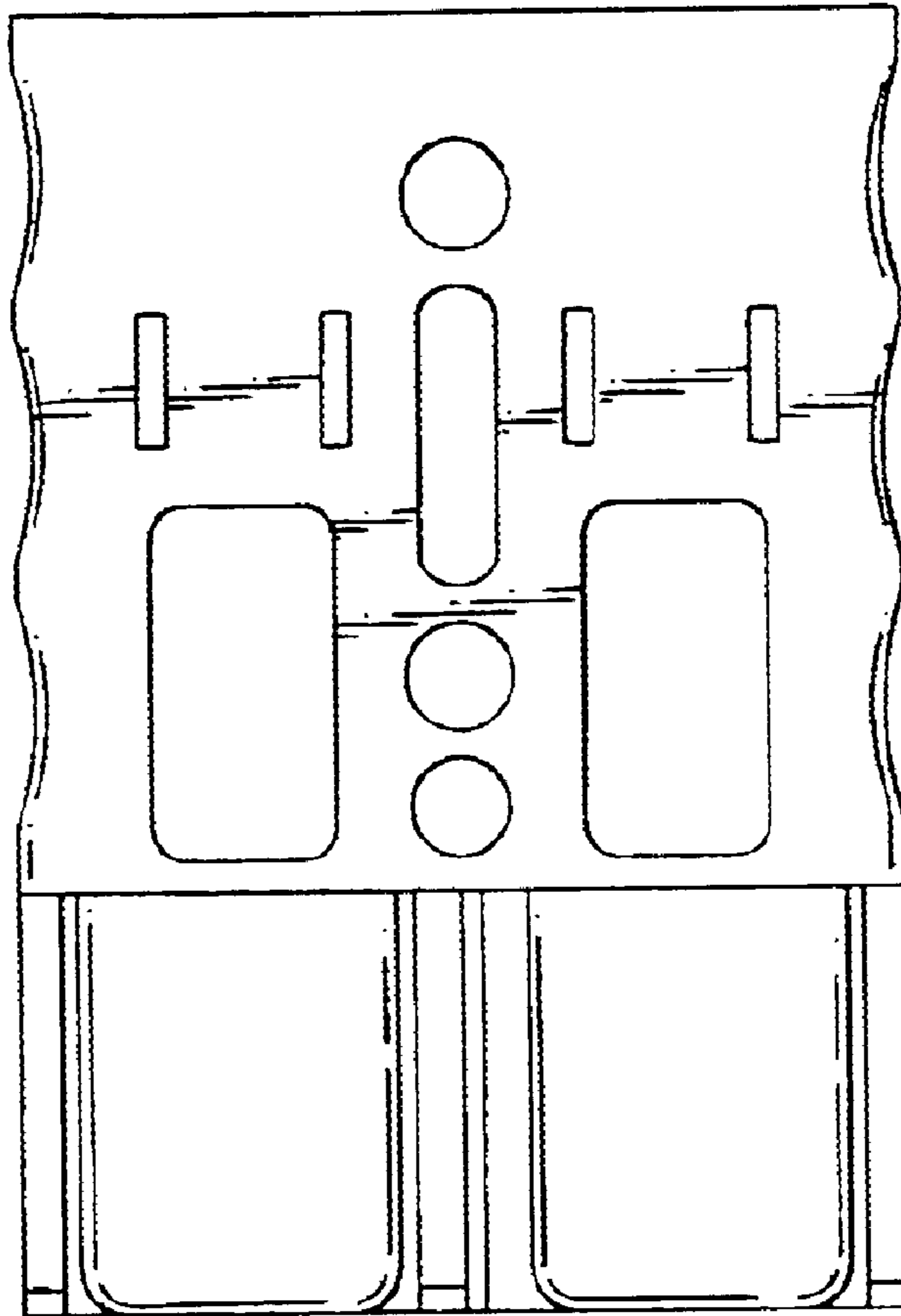


FIG. 7



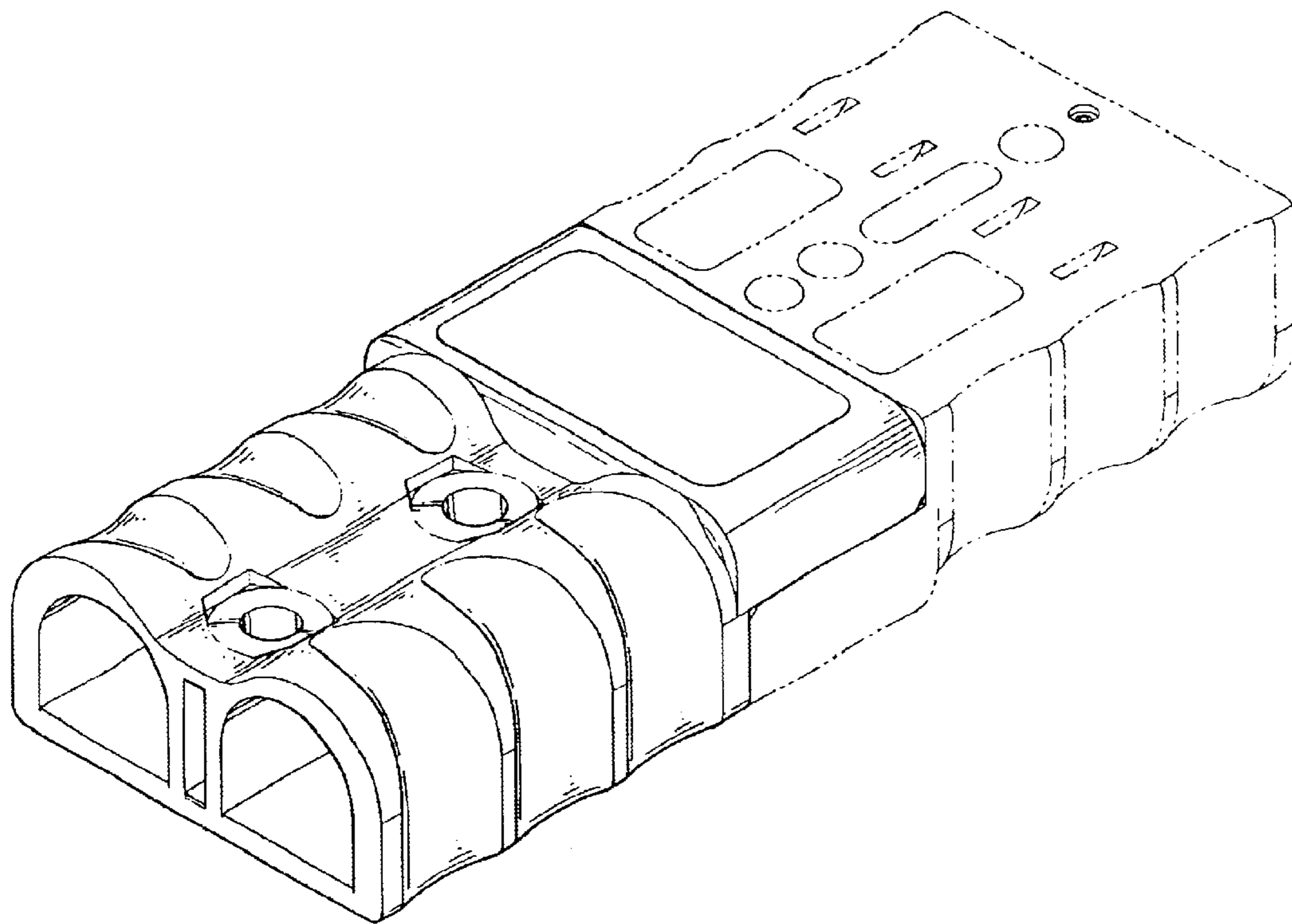


FIG. 8