



US00D494932S1

(12) **United States Design Patent**
Milan

(10) **Patent No.:** **US D494,932 S**

(45) **Date of Patent:** **** Aug. 24, 2004**

(54) **DAISY CHAIN CONNECTOR FOR
STACKABLE HUBS**

D450,303 S * 11/2001 Milan D13/154
D451,480 S * 12/2001 Milan D13/154

(76) Inventor: **Henry Milan**, 1709 Apple Ridge Ct.,
Rochester Hills, MI (US) 48306

* cited by examiner

(**) Term: **14 Years**

Primary Examiner—Philip S. Hyder
(74) *Attorney, Agent, or Firm*—MacMillan, Sobanski &
Todd, LLC

(21) Appl. No.: **29/161,159**

(57) **CLAIM**

(22) Filed: **May 23, 2002**

The ornamental design for a daisy chain connector for
stackable hubs, as shown and described.

(51) **LOC (7) Cl.** **13-03**

(52) **U.S. Cl.** **D13/133**

(58) **Field of Search** D13/133, 146,
D13/147; 439/208, 507, 511, 638, 639,
752, 752.5, 928; 361/724

DESCRIPTION

(56) **References Cited**

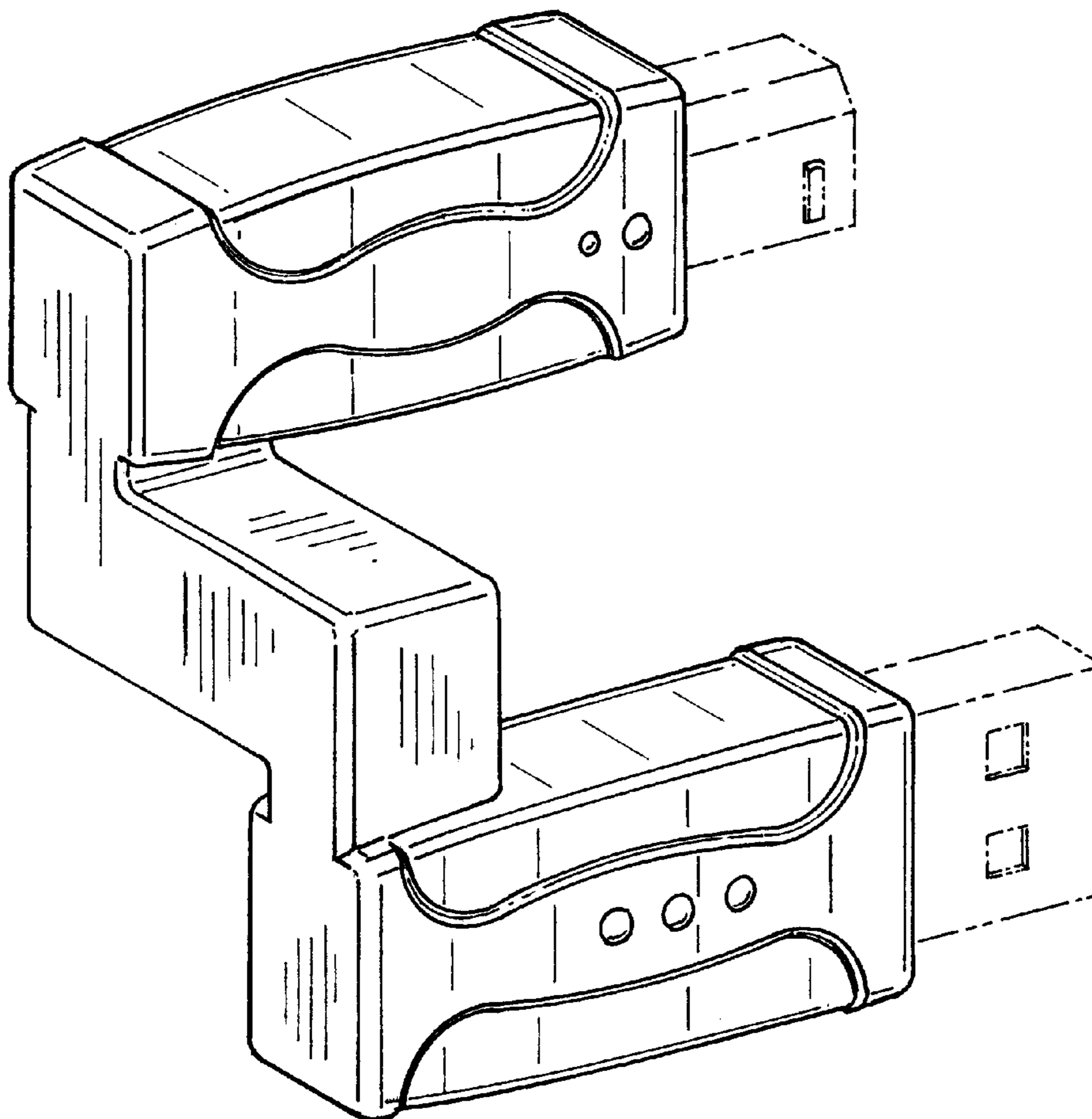
U.S. PATENT DOCUMENTS

4,950,178 A * 8/1990 Harvey et al. 439/507
5,387,111 A * 2/1995 DeSantis et al. 439/65
D425,860 S * 5/2000 Goto D13/133
6,141,221 A * 10/2000 Tong et al. 361/724
D448,736 S * 10/2001 Milan D13/154

FIG. 1 is a perspective view showing my new design.
FIG. 2 is a front elevational view thereof.
FIG. 3 is a right side elevational view thereof.
FIG. 4 is a left side elevational view thereof.
FIG. 5 is a rear elevational view thereof.
FIG. 6 is a top plan view thereof; and,
FIG. 7 is a bottom plan view thereof.

The broken line portions of the disclosure are for illustrative
purposes only and form no part of the claimed design.

1 Claim, 3 Drawing Sheets



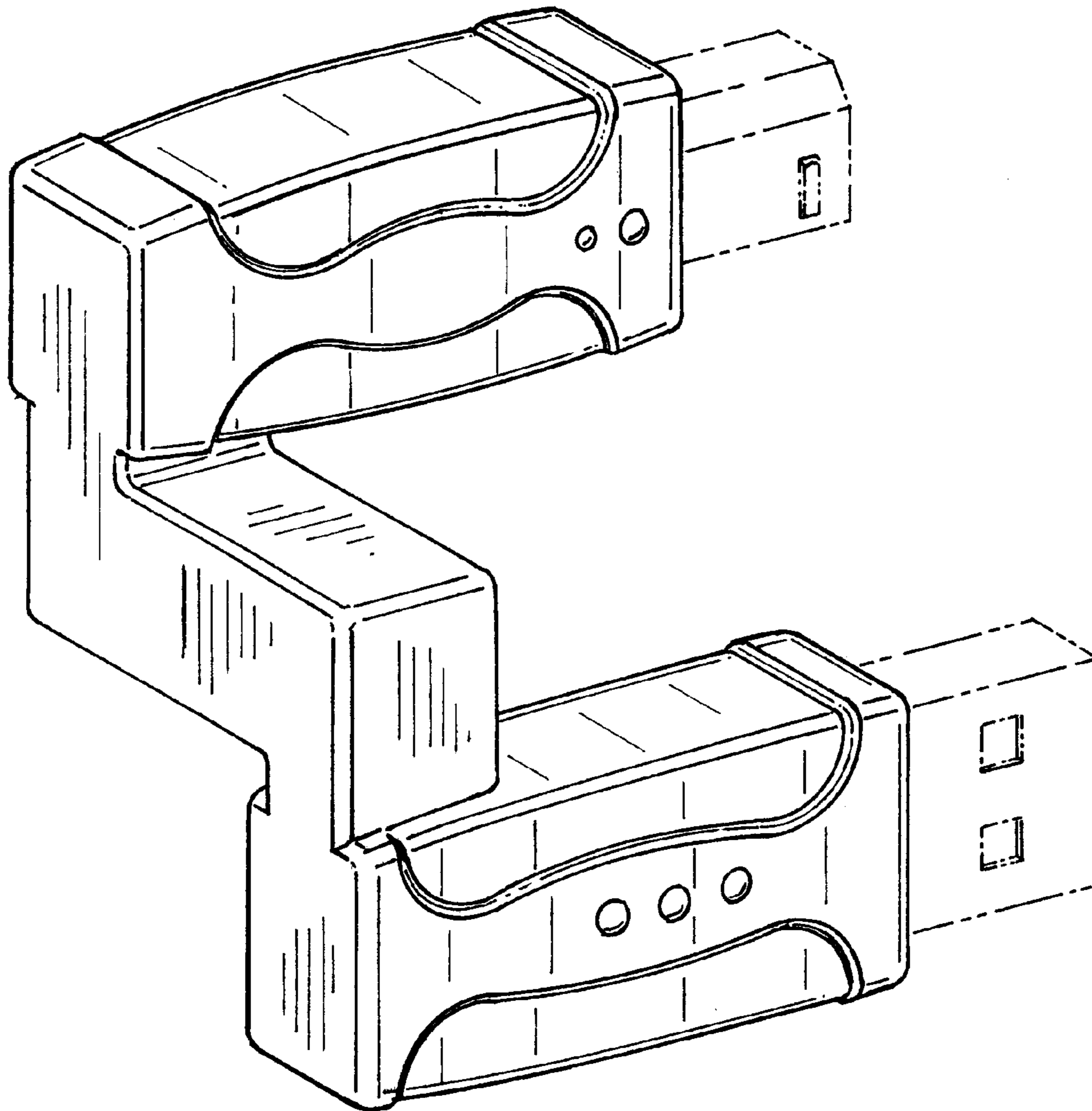


FIG. 1

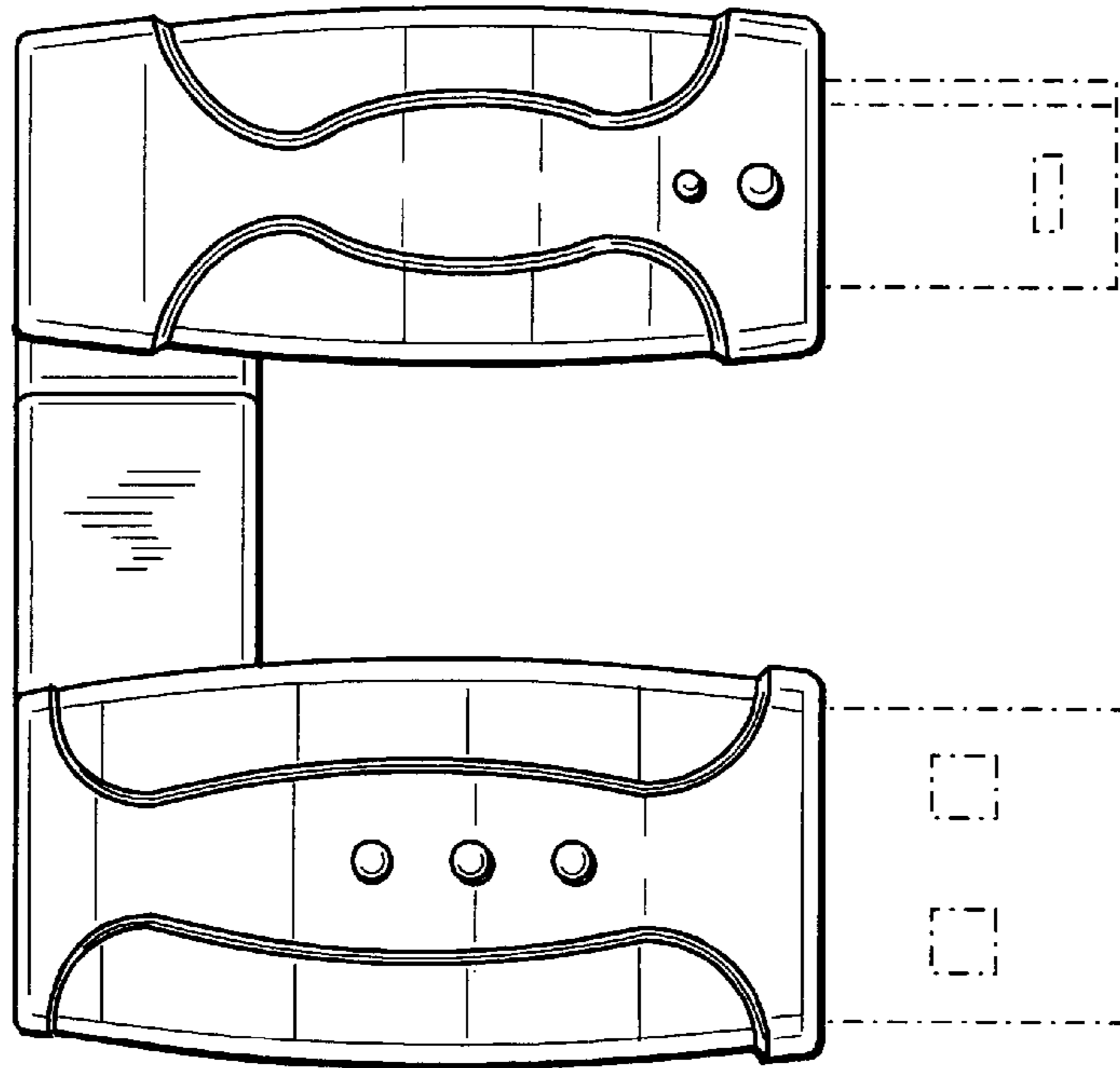


FIG. 2

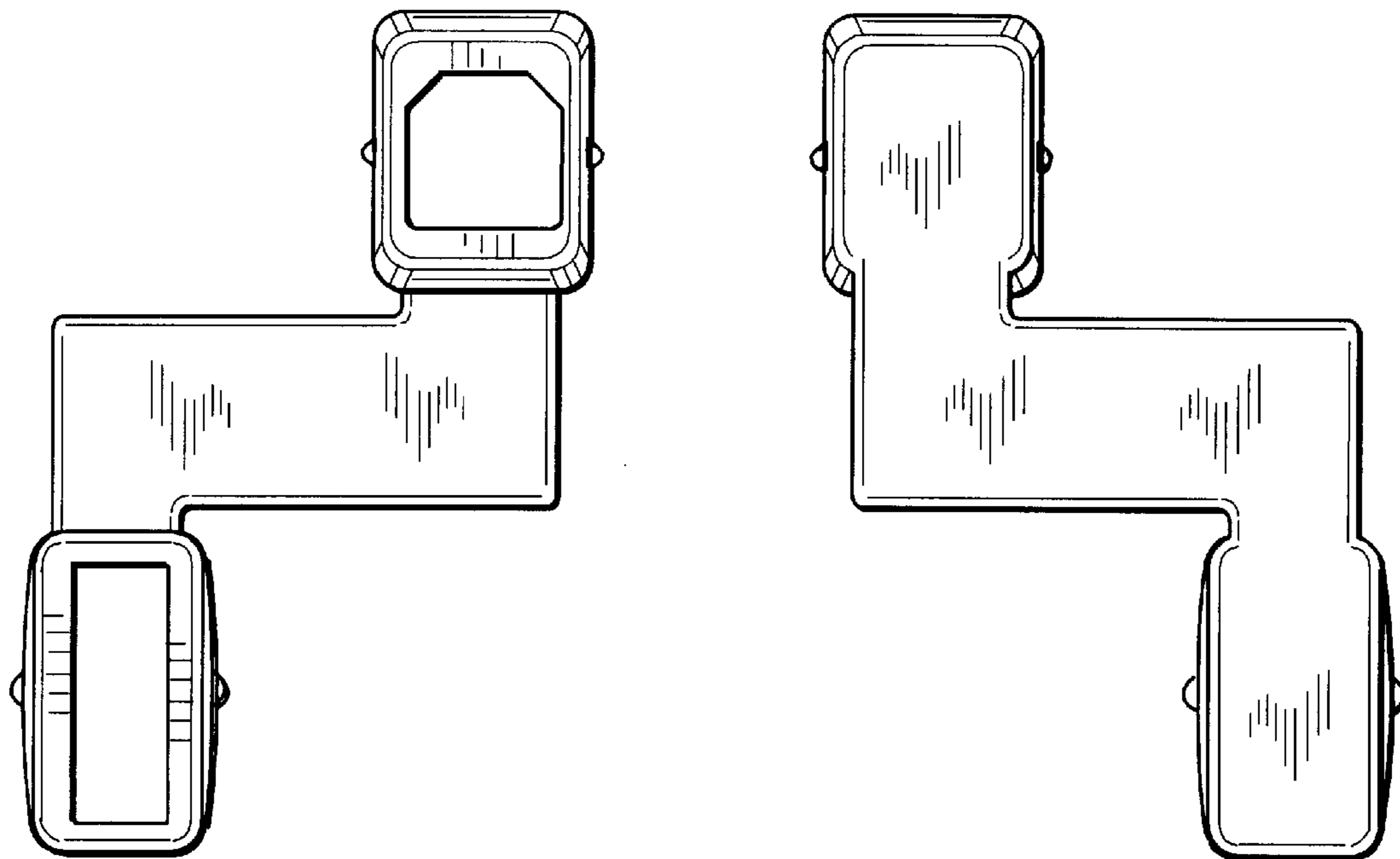


FIG. 3

FIG. 4

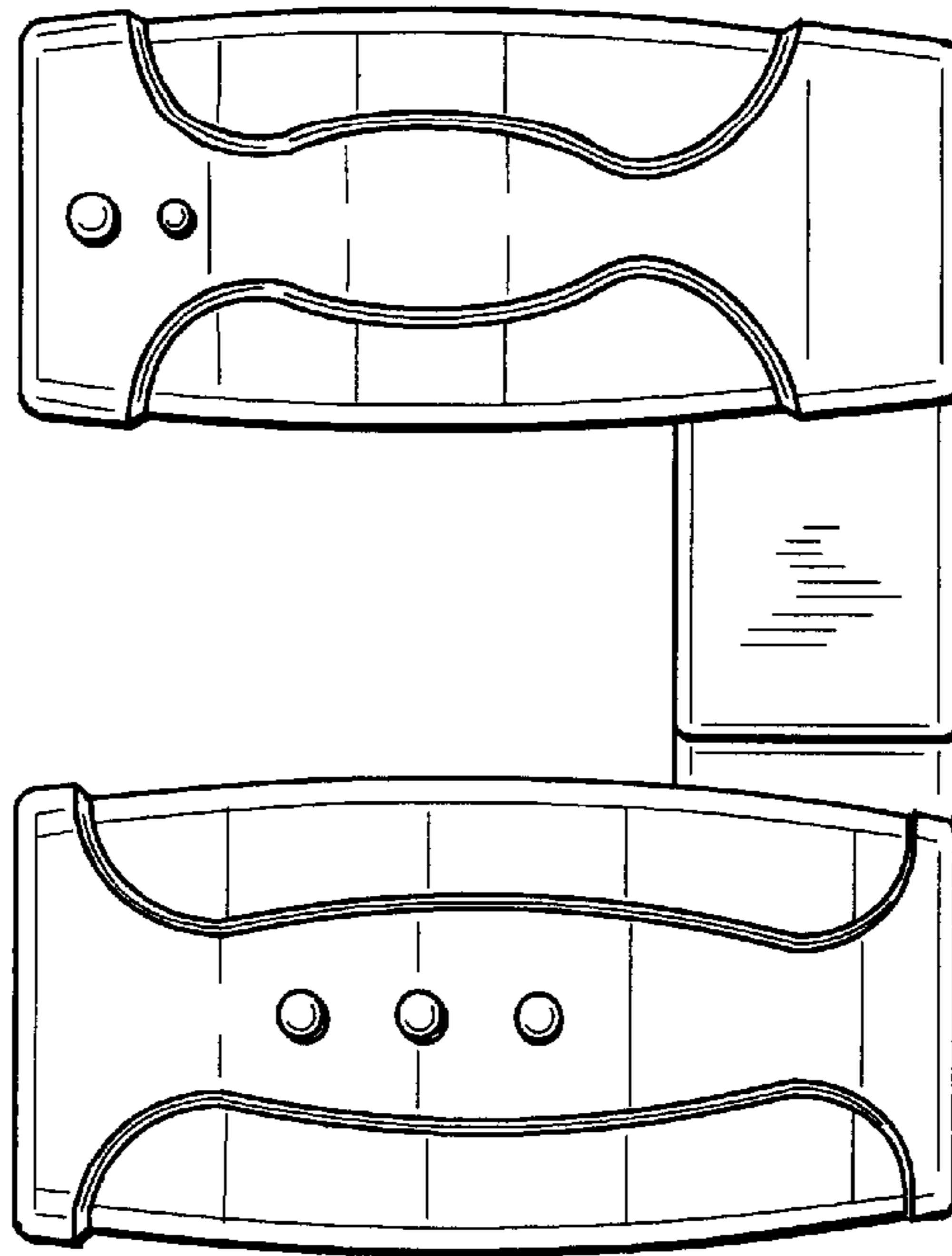


FIG. 5

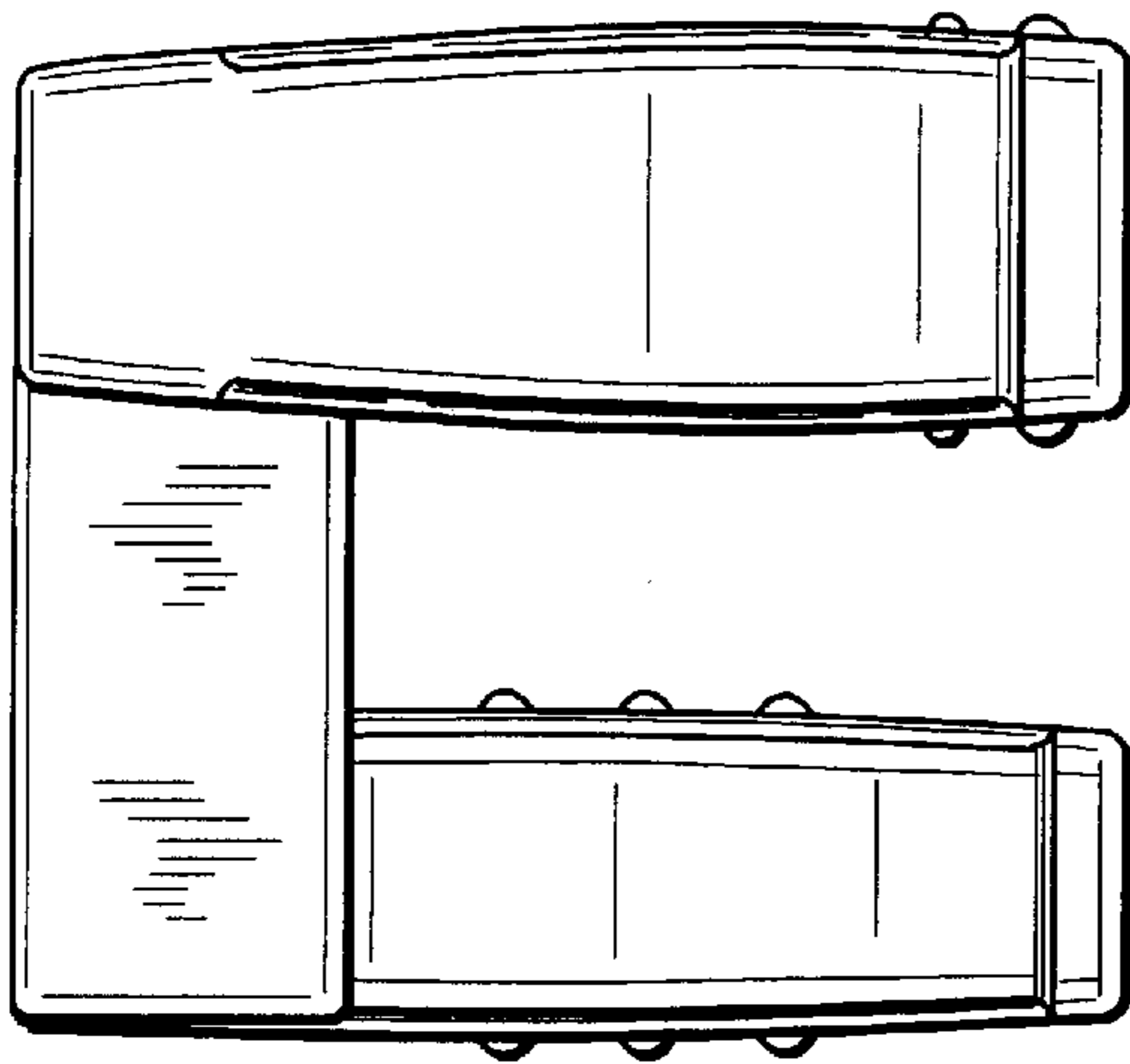


FIG. 6

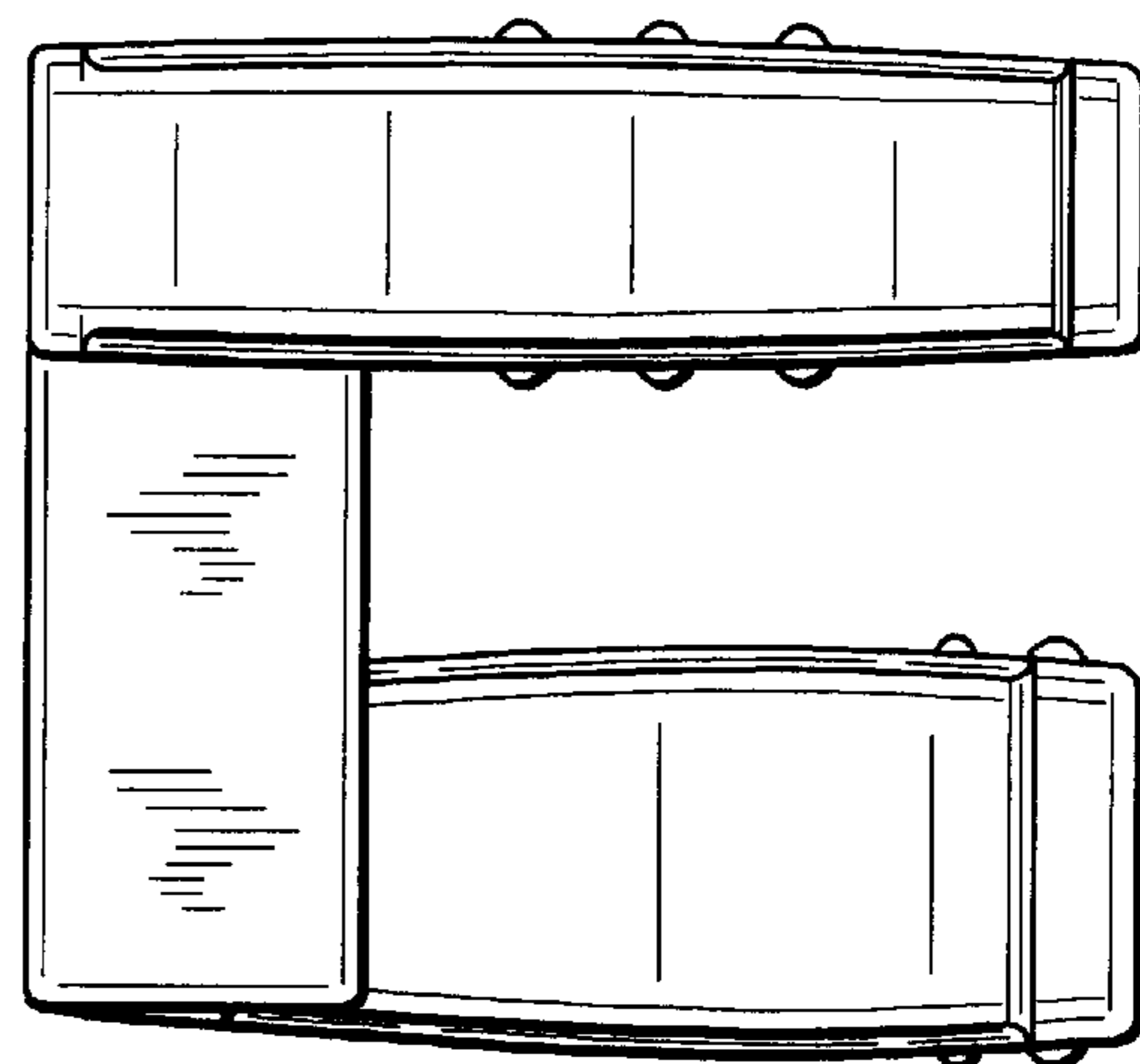


FIG. 7