

US00D494930S1

(12) **United States Design Patent**
Ishigami et al.

(10) **Patent No.:** **US D494,930 S**
(45) **Date of Patent:** **** Aug. 24, 2004**

(54) **OPTICAL TRANSMITTING AND RECEIVING APPARATUS**

6,434,015 B1 * 8/2002 Hwang 361/754
6,485,322 B1 * 11/2002 Branch et al. 439/357
D467,544 S * 12/2002 Hwang D13/123

(75) Inventors: **Yoshiaki Ishigami**, Tokyo (JP);
Yoshinori Sunaga, Tokyo (JP)

* cited by examiner

(73) Assignee: **Hitachi Cable, Ltd.**, Tokyo (JP)

Primary Examiner—Philip S. Hyder
(74) *Attorney, Agent, or Firm*—Foley & Lardner LLP

(**) Term: **14 Years**

(57) **CLAIM**

(21) Appl. No.: **29/172,521**

An ornamental design for an optical transmitting and receiving apparatus, as shown and described.

(22) Filed: **Dec. 13, 2002**

DESCRIPTION

(30) **Foreign Application Priority Data**

Oct. 10, 2002 (JP) 2002-027793

FIG. 1 is a Front view of the optical transmitting and receiving apparatus.

(51) **LOC (7) Cl.** **13-03**

FIG. 2 is a Rear view thereof.

(52) **U.S. Cl.** **D13/123**

FIG. 3 is a Top Plan view thereof.

(58) **Field of Search** D13/133, 146,
D13/147, 123; 439/357, 372, 359, 358,
76.1, 607, 608, 609; 361/754, 728, 759

FIG. 4 is a Bottom view thereof.

FIG. 5 is a Right side view thereof, wherein the left side is a mirror image.

(56) **References Cited**

FIG. 6 is a Perspective view thereof.

U.S. PATENT DOCUMENTS

6,178,096 B1 * 1/2001 Flickinger et al. 361/816
6,206,730 B1 * 3/2001 Avery et al. 439/609
6,351,394 B1 * 2/2002 Cunningham 361/818
6,430,053 B1 * 8/2002 Peterson et al. 361/728

FIG. 7 is a Perspective view showing a state that a lock mechanism is released; and,

FIG. 8 is a Perspective view thereof, wherein the broken line showing of the circuit board and cage are for illustrative purposes only and forms no part of the claimed design.

1 Claim, 4 Drawing Sheets

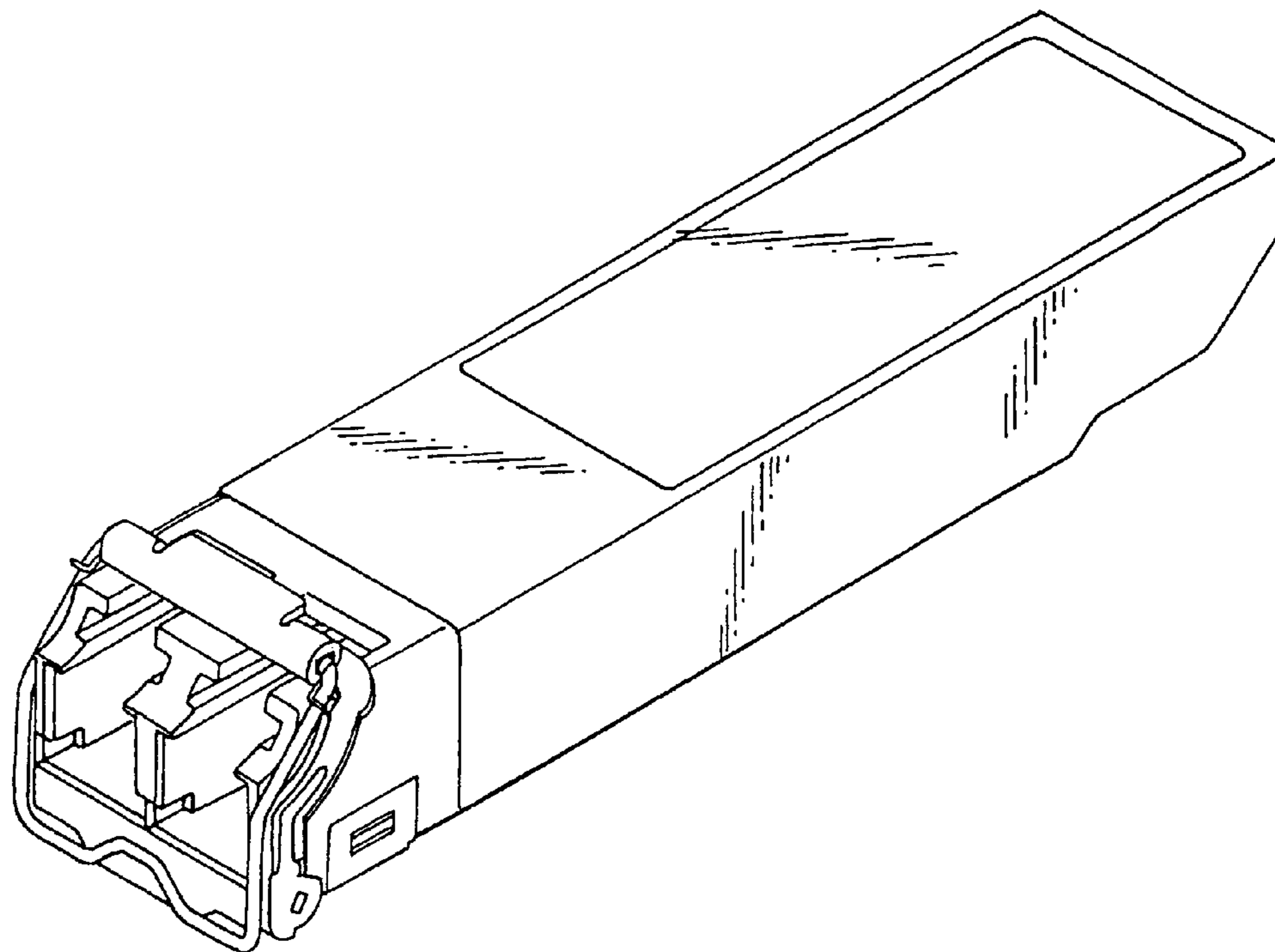


FIG. 1

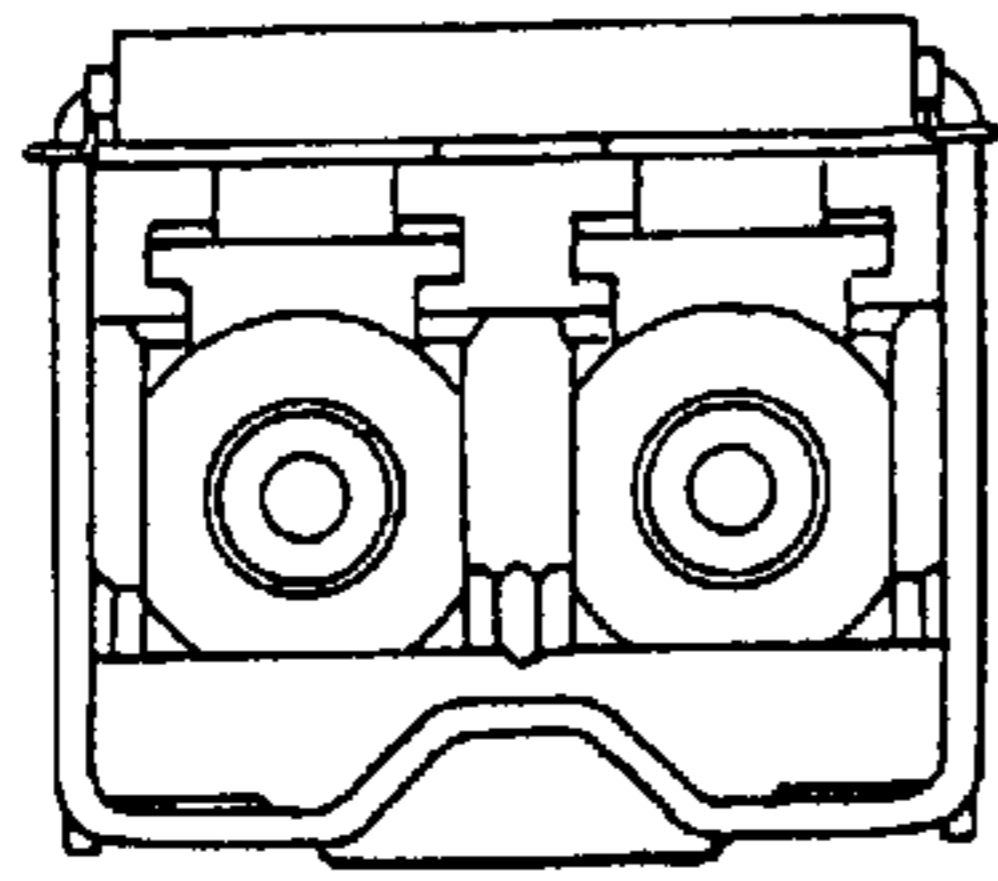


FIG. 2

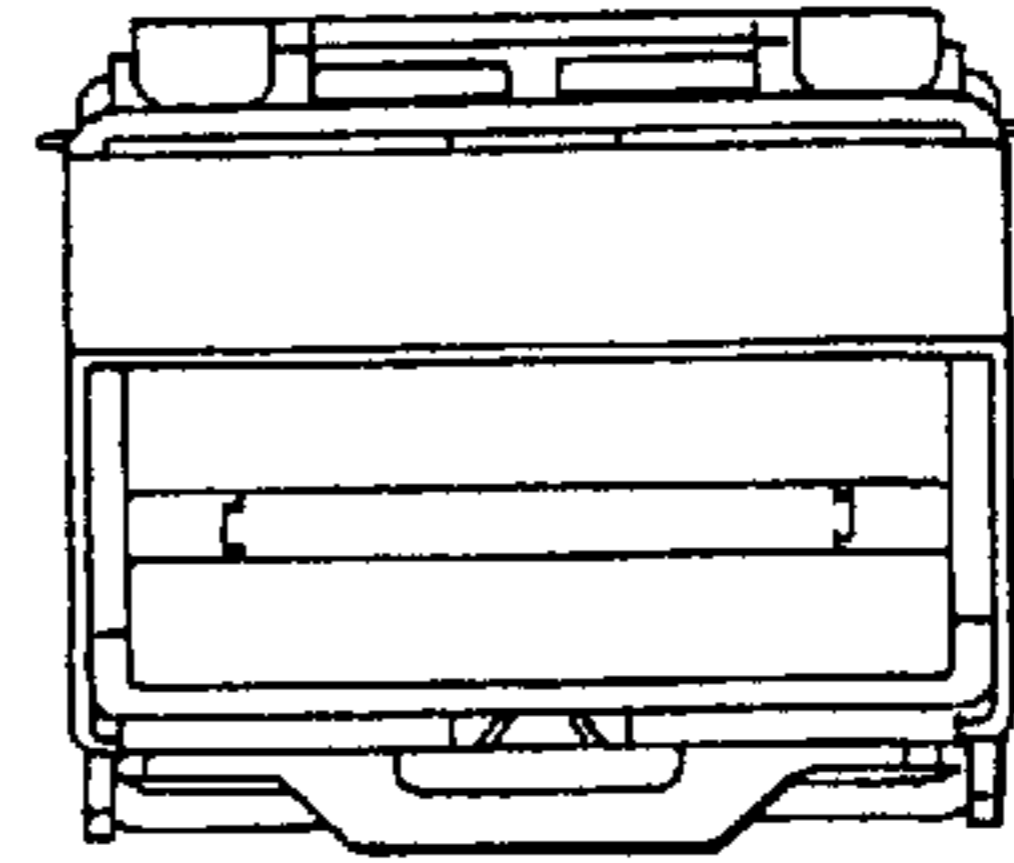


FIG. 3

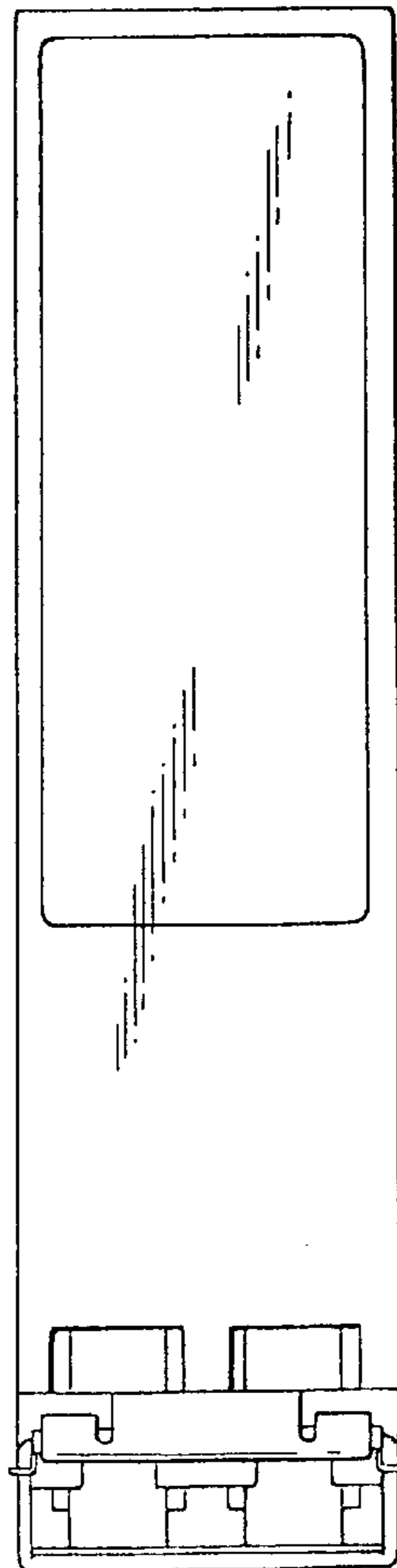


FIG. 4

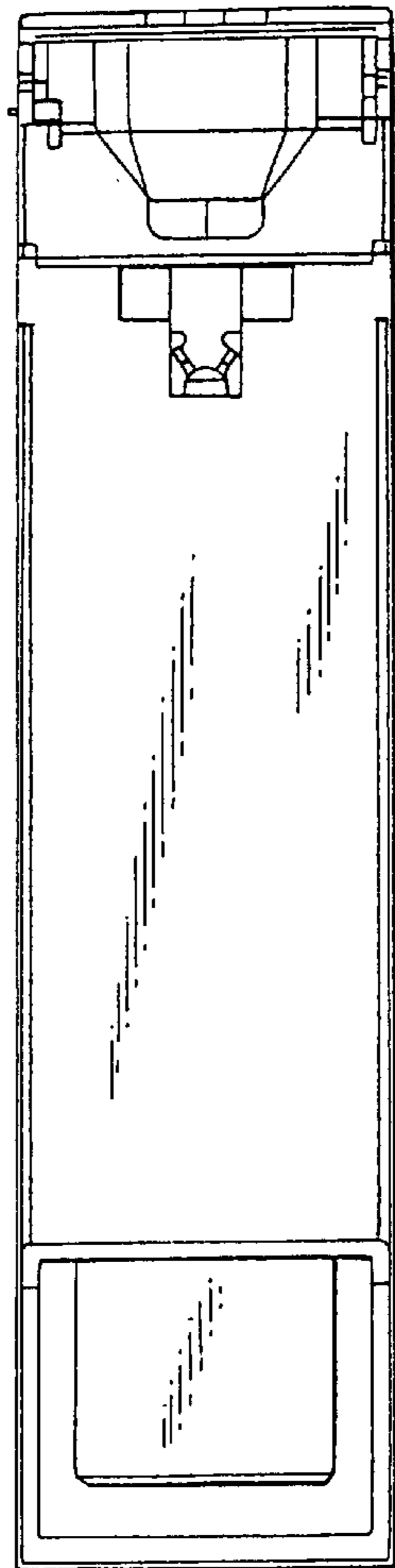


FIG. 5

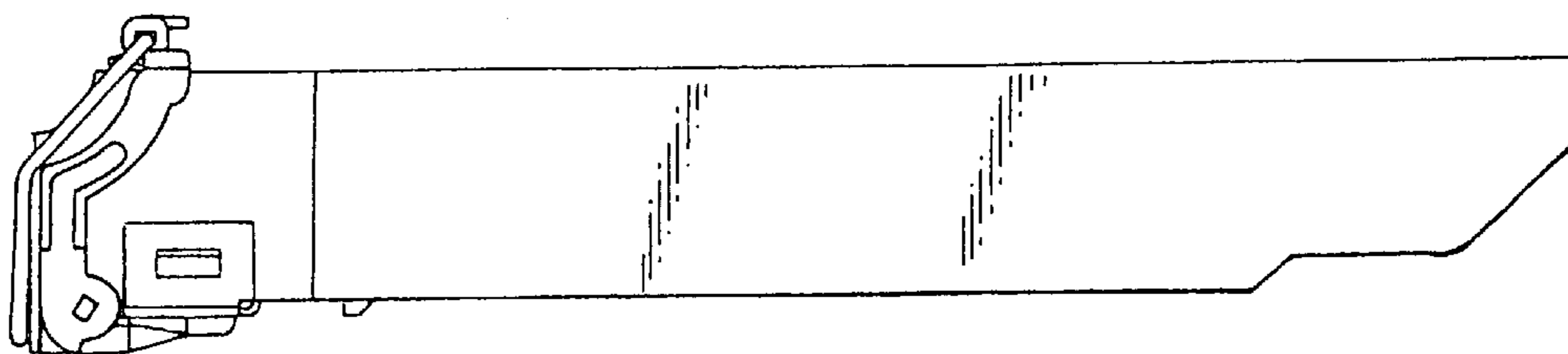


FIG. 6

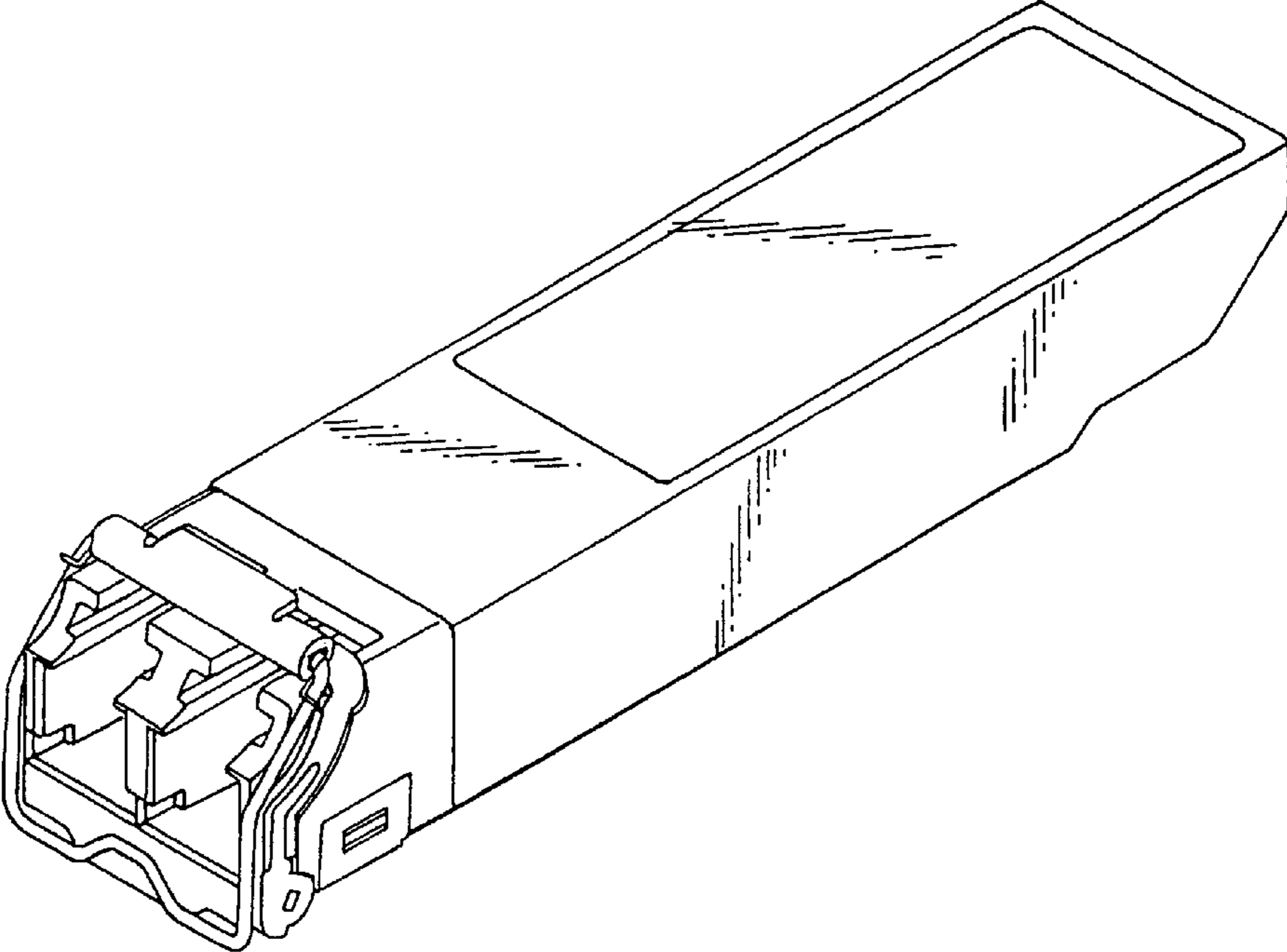


FIG. 7

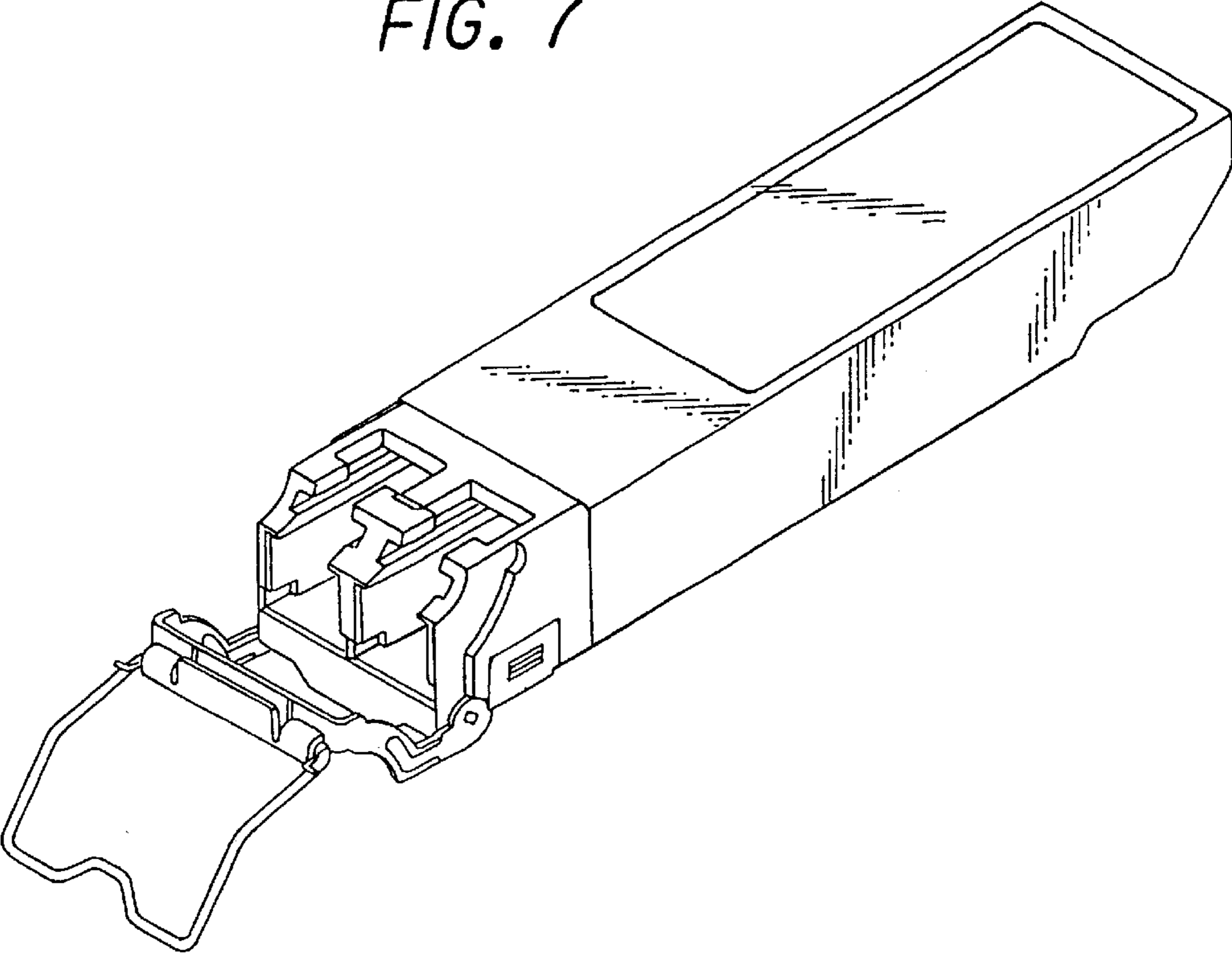


FIG. 8

