

US00D494929S1

(12) **United States Design Patent**  
**Imai**

(10) **Patent No.:** **US D494,929 S**

(45) **Date of Patent:** **\*\* Aug. 24, 2004**

(54) **ENGINE GENERATOR**

D382,853 S \* 8/1997 Crawford ..... D13/112  
D416,858 S \* 11/1999 Domanski ..... D13/114  
D418,809 S \* 10/2000 Kenneth ..... D13/112

(75) **Inventor:** **Shuhei Imai, Wako (JP)**

(73) **Assignee:** **Honda Giken Kogyo Kabushiki Kaisha, Tokyo (JP)**

(\*\*) **Term:** **14 Years**

(21) **Appl. No.:** **29/164,865**

(22) **Filed:** **Aug. 2, 2002**

(30) **Foreign Application Priority Data**

Feb. 8, 2002 (JP) ..... 2002-003066

(51) **LOC (7) Cl.** ..... **13-01**

(52) **U.S. Cl.** ..... **D13/116**

(58) **Field of Search** ..... D13/116, 110,  
D13/112, 113, 114, 115, 117, 118; 307/150;  
320/101; 322/1

(56) **References Cited**

**U.S. PATENT DOCUMENTS**

2,630,537 A \* 3/1953 Wiegman et al. .... 190/1 A  
D276,997 S \* 1/1985 Mikado ..... D13/116  
D277,285 S \* 1/1985 Lopez ..... D15/1  
D277,954 S \* 3/1985 Mizushima ..... D13/114  
D278,425 S \* 4/1985 Toshihiko ..... D13/116

\* cited by examiner

*Primary Examiner*—Philip S. Hyder

*Assistant Examiner*—Daniel Bui

(74) *Attorney, Agent, or Firm*—Arent Fox PLLC

(57) **CLAIM**

The ornamental design for an engine generator, as shown and described.

**DESCRIPTION**

FIG. 1 is a front view of an engine generator showing my new design.

FIG. 2 is a rear view thereof.

FIG. 3 is a left side view thereof.

FIG. 4 is a right side view thereof.

FIG. 5 is a plan view thereof.

FIG. 6 is a bottom view thereof.

FIG. 7 is a right side perspective view thereof.

FIG. 8 is a left side perspective view thereof.

FIG. 9 is a perspective view thereof seen from the right side with its handle folded back; and,

FIG. 10 is a perspective view thereof seen from the left side with its handle folded back.

**1 Claim, 5 Drawing Sheets**

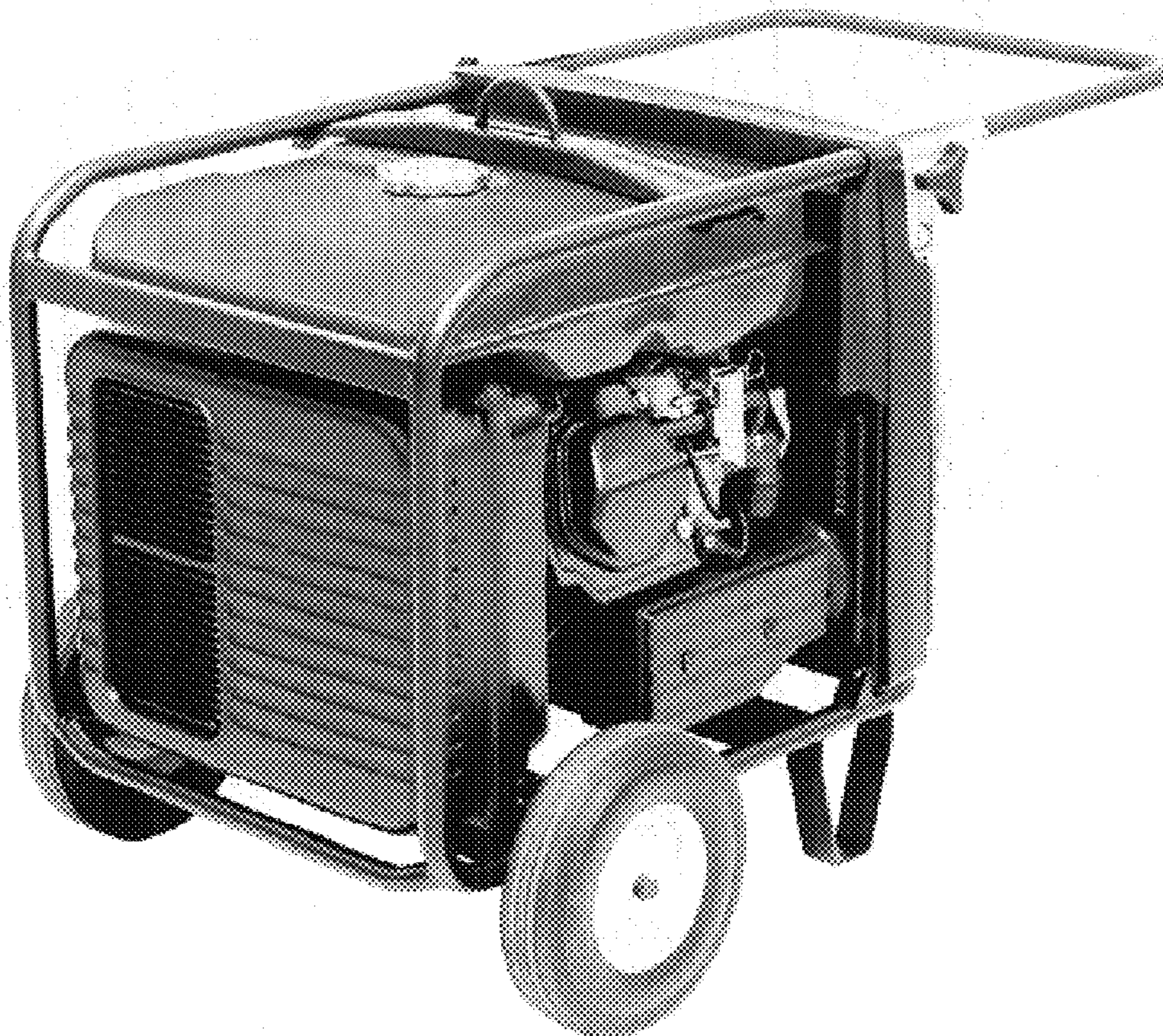


FIG.1

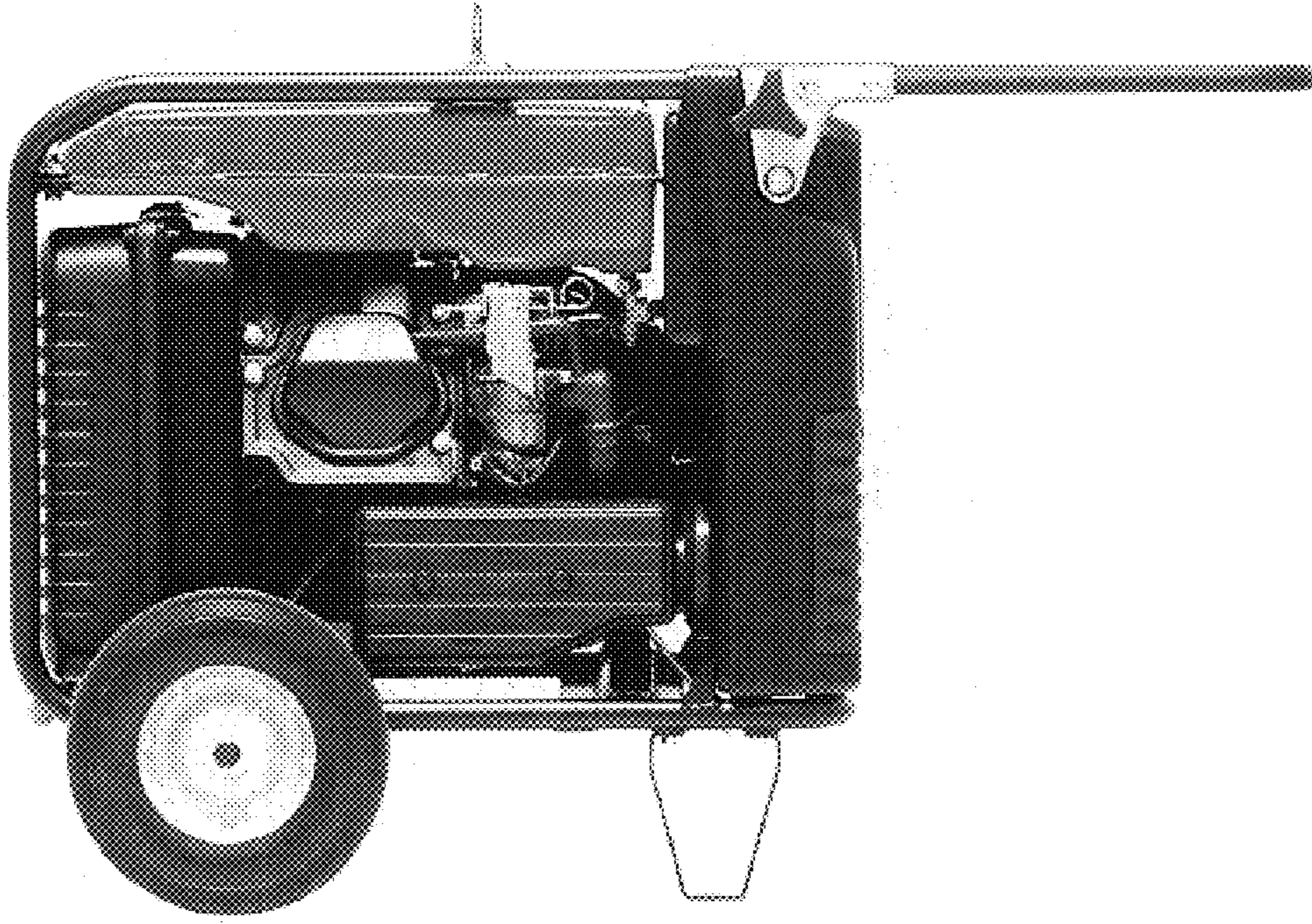


FIG.2

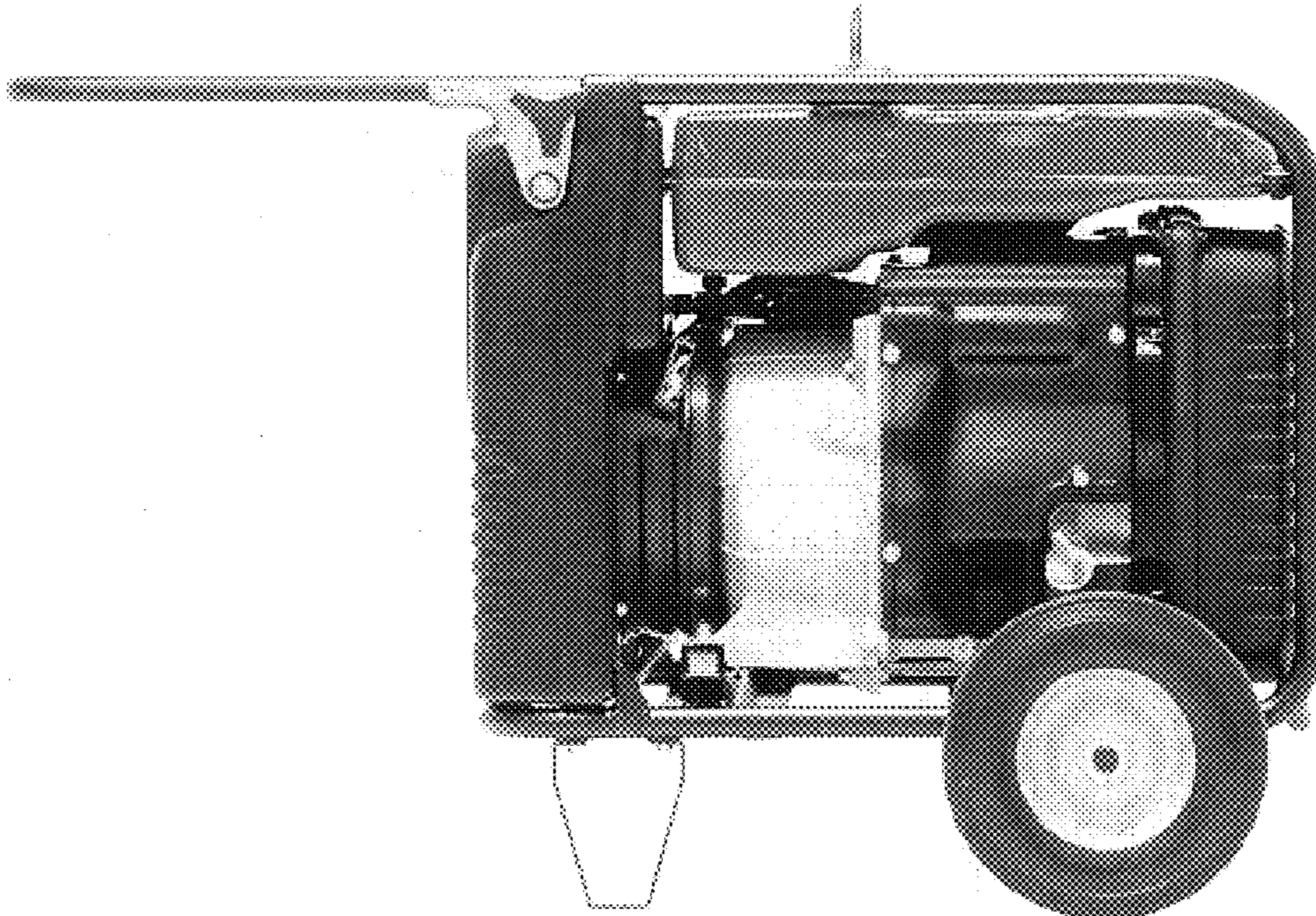


FIG.3

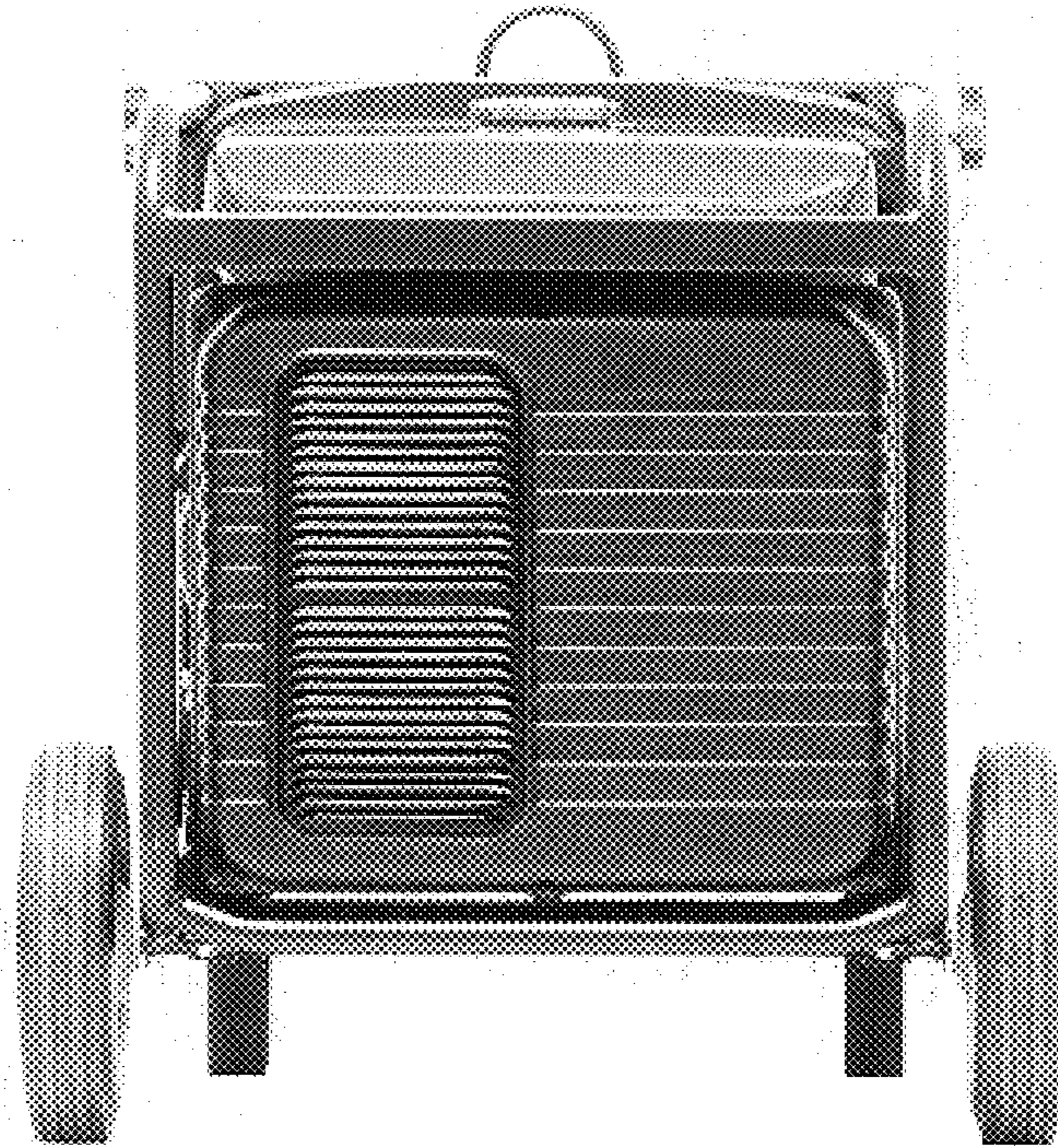


FIG.4

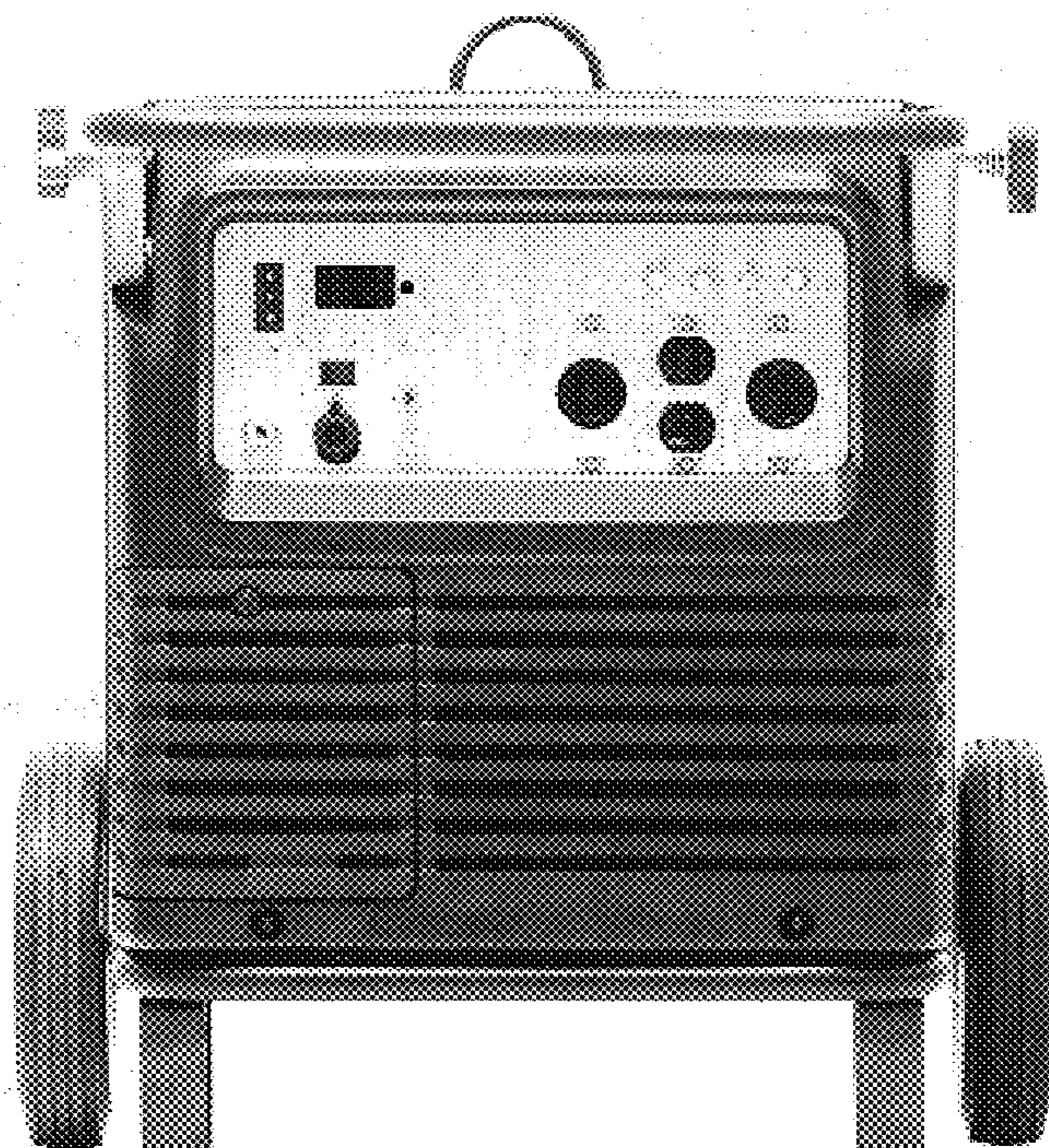


FIG.5

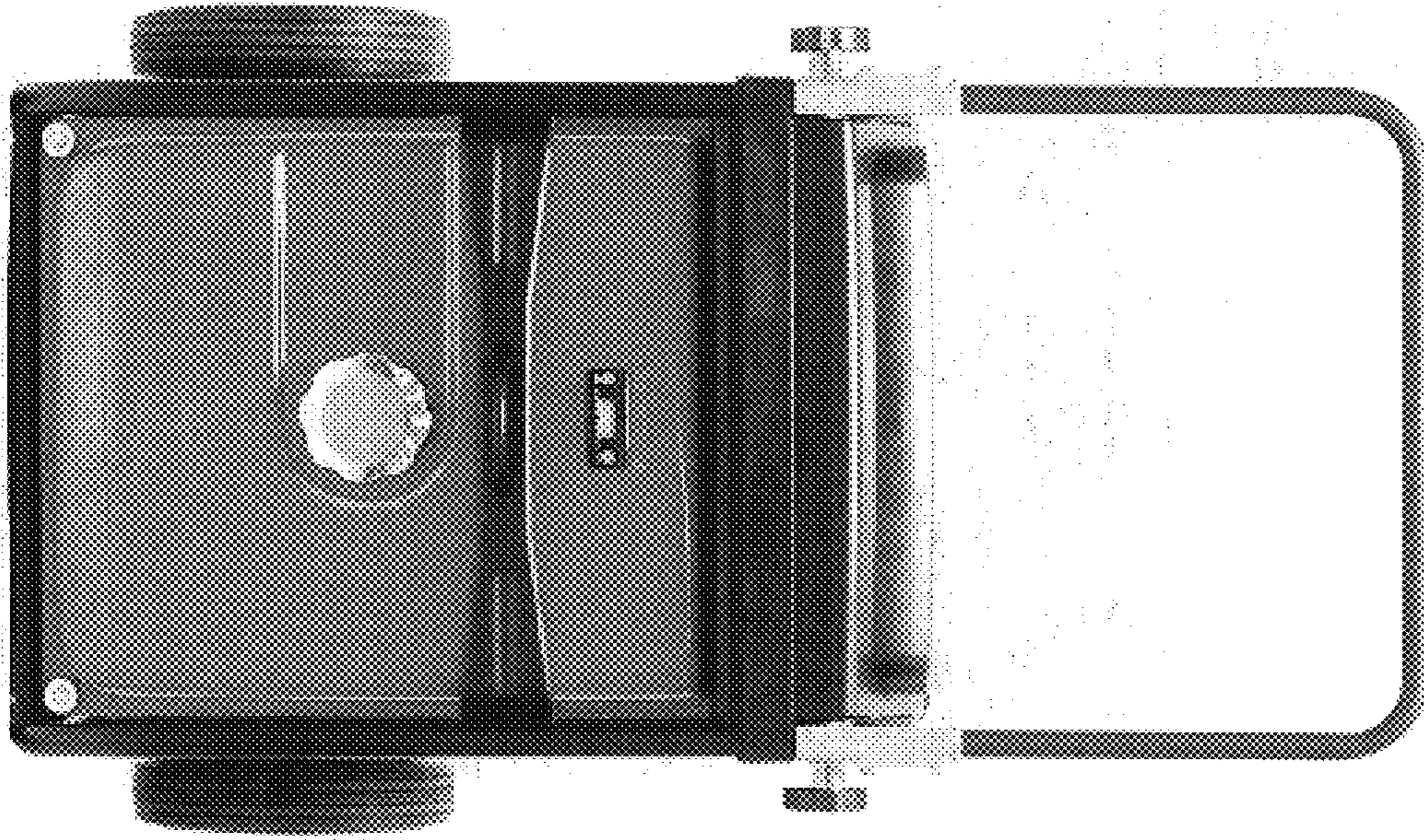


FIG.6

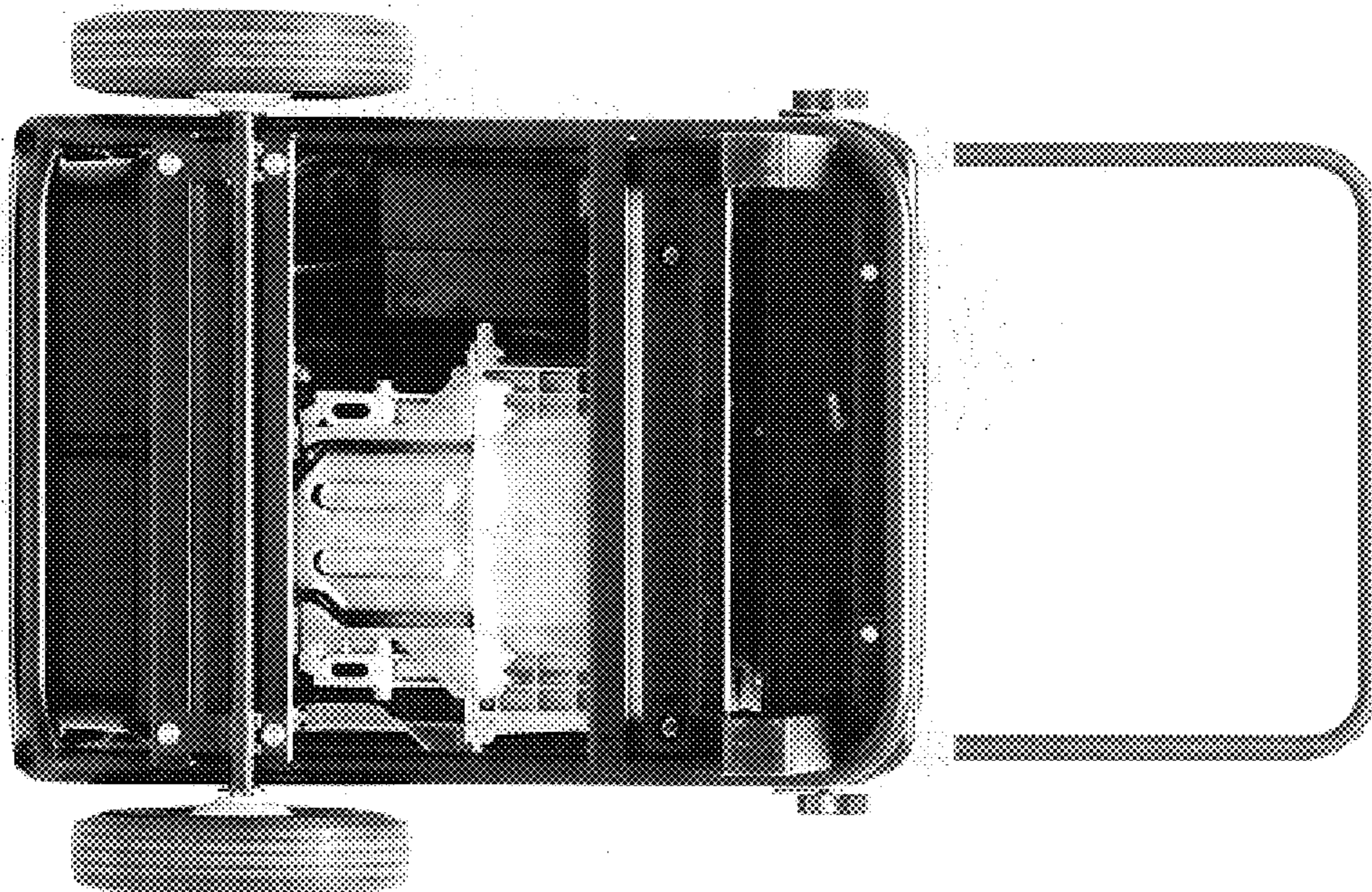


FIG.7

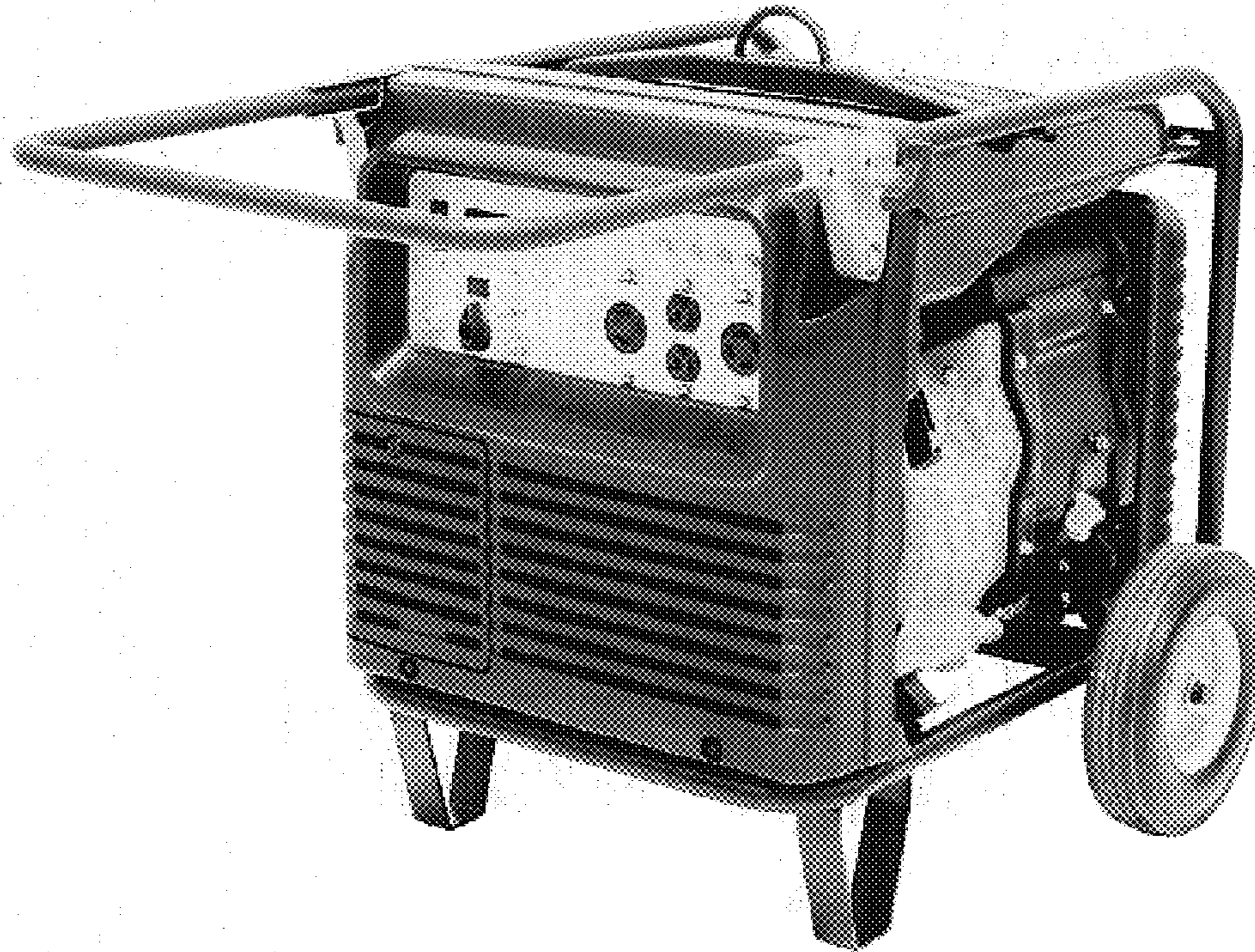


FIG.8

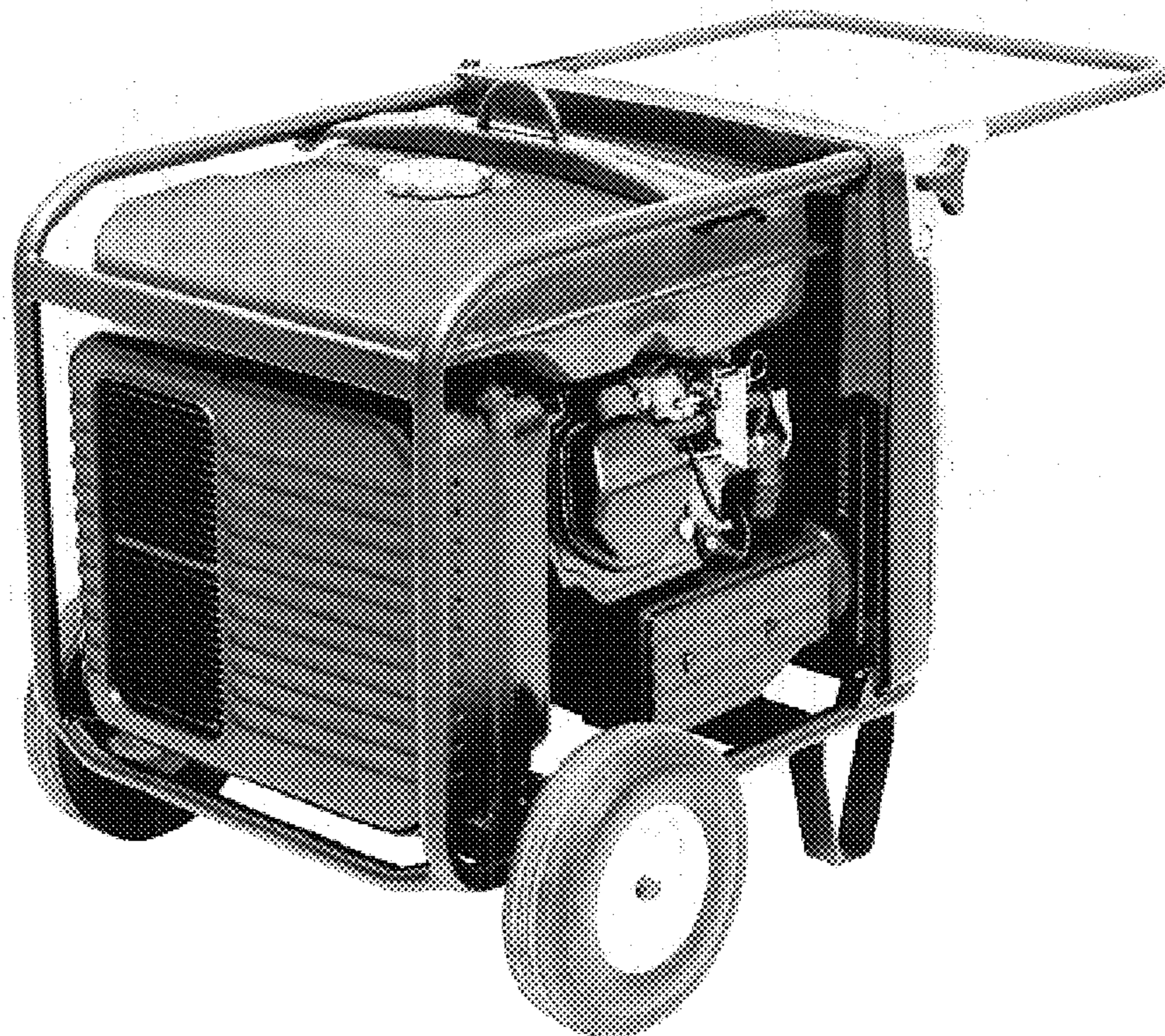


FIG.9

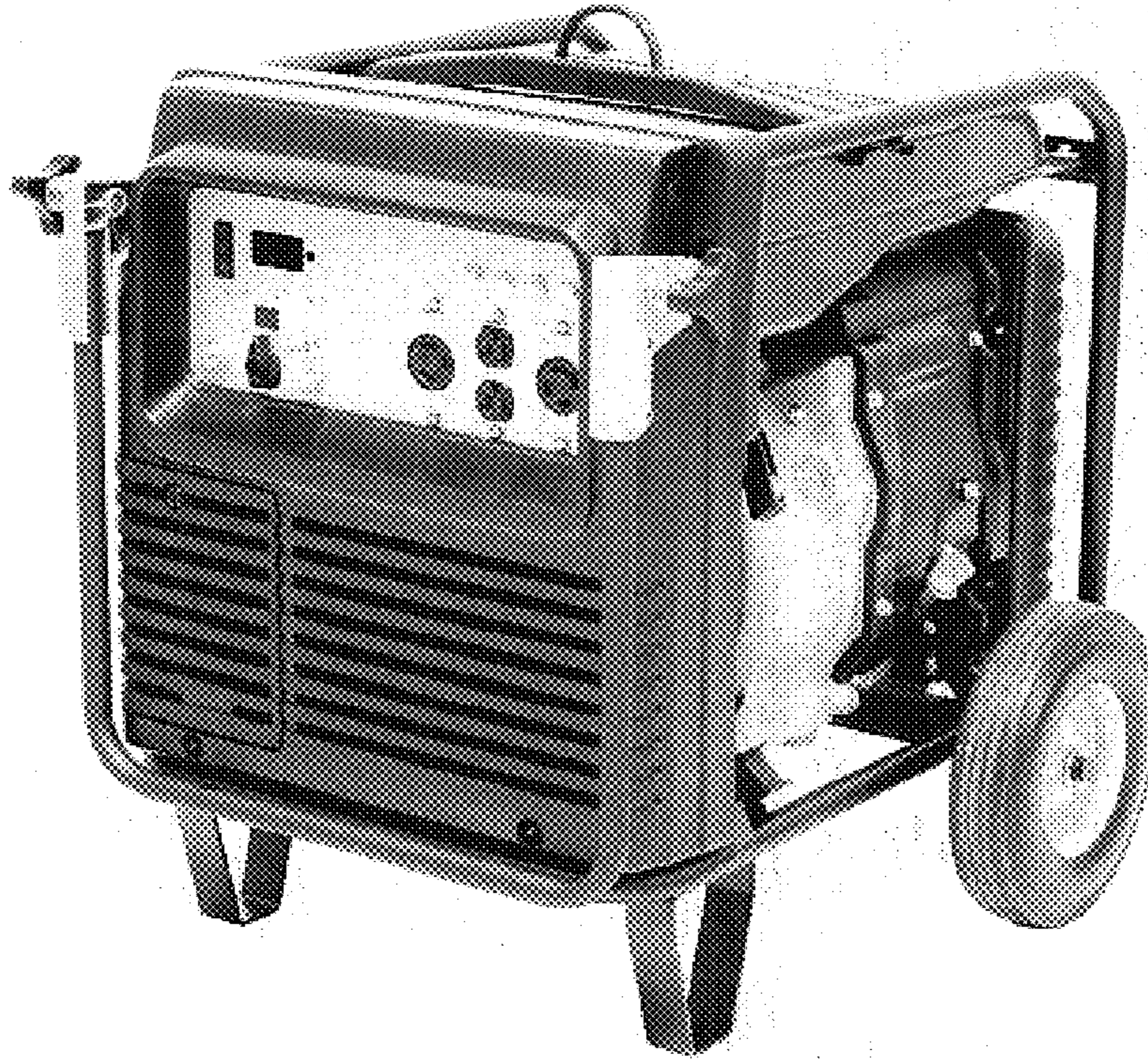


FIG.10

