



US00D494927S1

(12) **United States Design Patent**  
**Nakahashi**

(10) **Patent No.:** **US D494,927 S**

(45) **Date of Patent:** **\*\* Aug. 24, 2004**

(54) **MINIATURE MOTOR WITH REDUCTION  
WORM GEAR UNIT**

2002/0084709 A1 \* 7/2002 Yajima et al. .... 310/90  
2002/0158528 A1 \* 10/2002 Tsuzaki et al. .... 310/81  
2003/0094872 A1 \* 5/2003 Tornquist et al. .... 310/91

(75) Inventor: **Hiroaki Nakahashi**, Matsudo (JP)

\* cited by examiner

(73) Assignee: **Mabuchi Motor Co., Ltd.**, Chiba (JP)

*Primary Examiner*—Philip S. Hyder

(\*\*) Term: **14 Years**

*Assistant Examiner*—Daniel Bui

(74) *Attorney, Agent, or Firm*—McGlew and Tuttle, P.C.

(21) Appl. No.: **29/158,189**

(57) **CLAIM**

(22) Filed: **Apr. 1, 2002**

The ornamental design for a miniature motor with reduction worm gear unit, as shown.

(30) **Foreign Application Priority Data**

Oct. 2, 2001 (JP) ..... 2001-029007

**DESCRIPTION**

(51) **LOC (7) Cl.** ..... **13-01**

FIG. 1 is a top plan view of a miniature motor with reduction worm gear unit showing my new design; FIG. 2 is a front elevational view thereof; FIG. 3 is a bottom plan view thereof; FIG. 4 is a right side elevational view thereof; FIG. 5 is a left side elevational view thereof; FIG. 6 is a rear elevational view thereof; FIG. 7 is a perspective view from upper right of front thereof; and, FIG. 8 is a perspective view from lower left of rear thereof. The broken line showing of the environment is for illustrative purposes only and forms no part of the claimed design.

(52) **U.S. Cl.** ..... **D13/112**

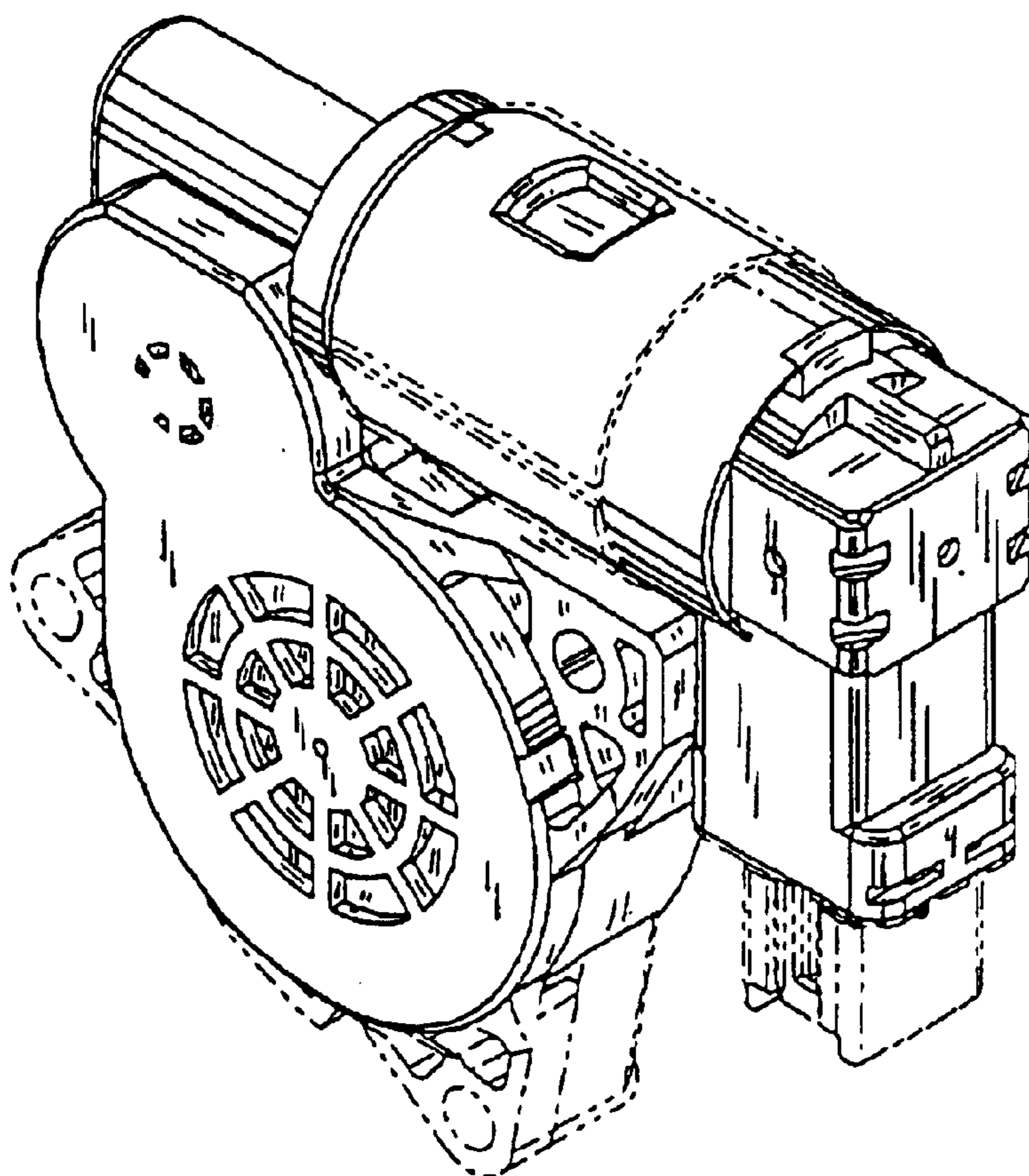
(58) **Field of Search** ..... D13/112, 113,  
D13/114, 115, 116; 310/89, 91; 318/446

(56) **References Cited**

**U.S. PATENT DOCUMENTS**

D183,501 S \* 9/1958 Stenger et al. .... D15/9  
3,391,291 A \* 7/1968 Benson et al. .... 310/90  
D301,454 S \* 6/1989 Hara et al. .... D13/110  
2001/0026105 A1 \* 10/2001 Torii et al. .... 310/75 R  
2001/0032746 A1 \* 10/2001 Foster ..... 180/300  
2002/0079758 A1 \* 6/2002 Matsuyama et al. .... 310/68 R

**1 Claim, 5 Drawing Sheets**



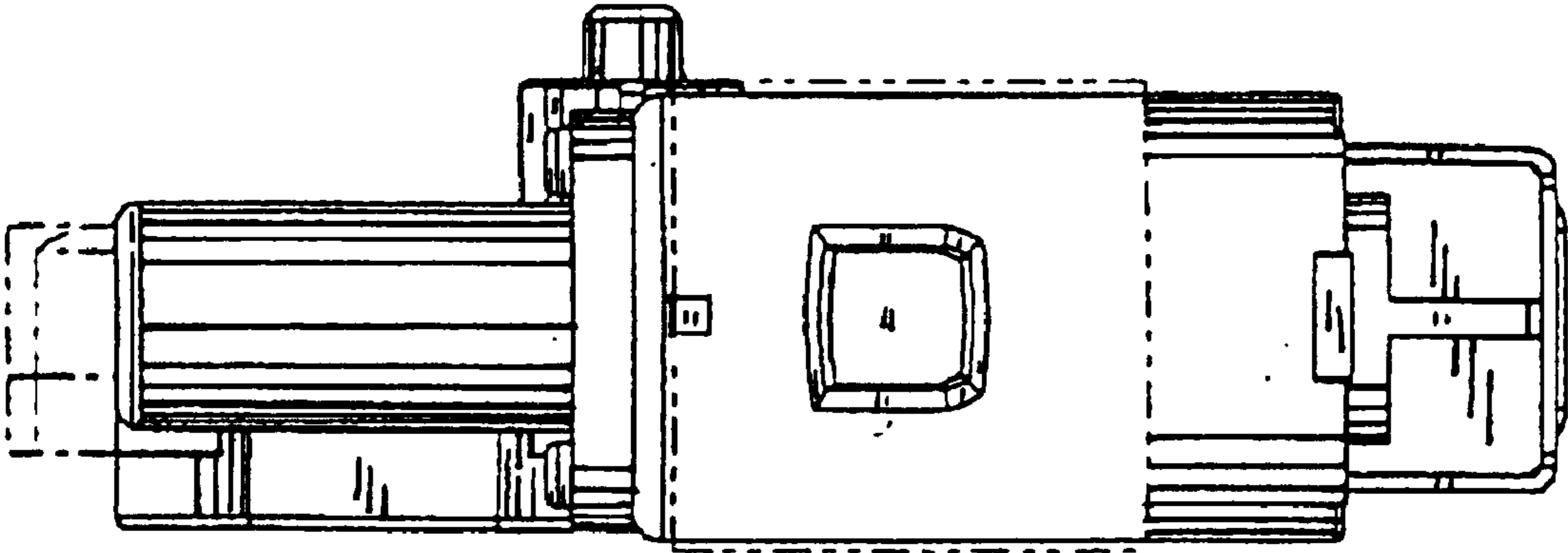


Fig. 1

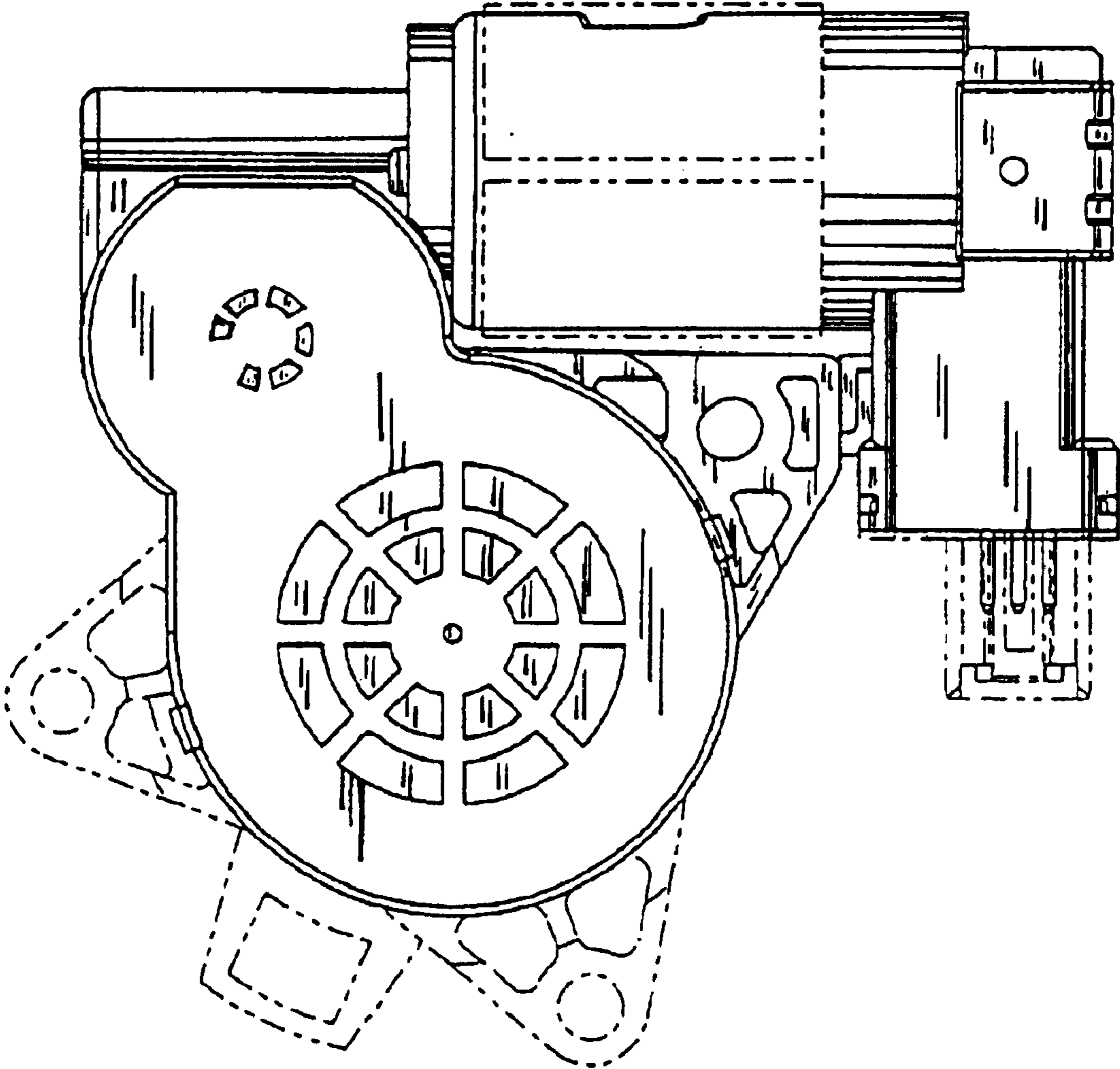


Fig. 2

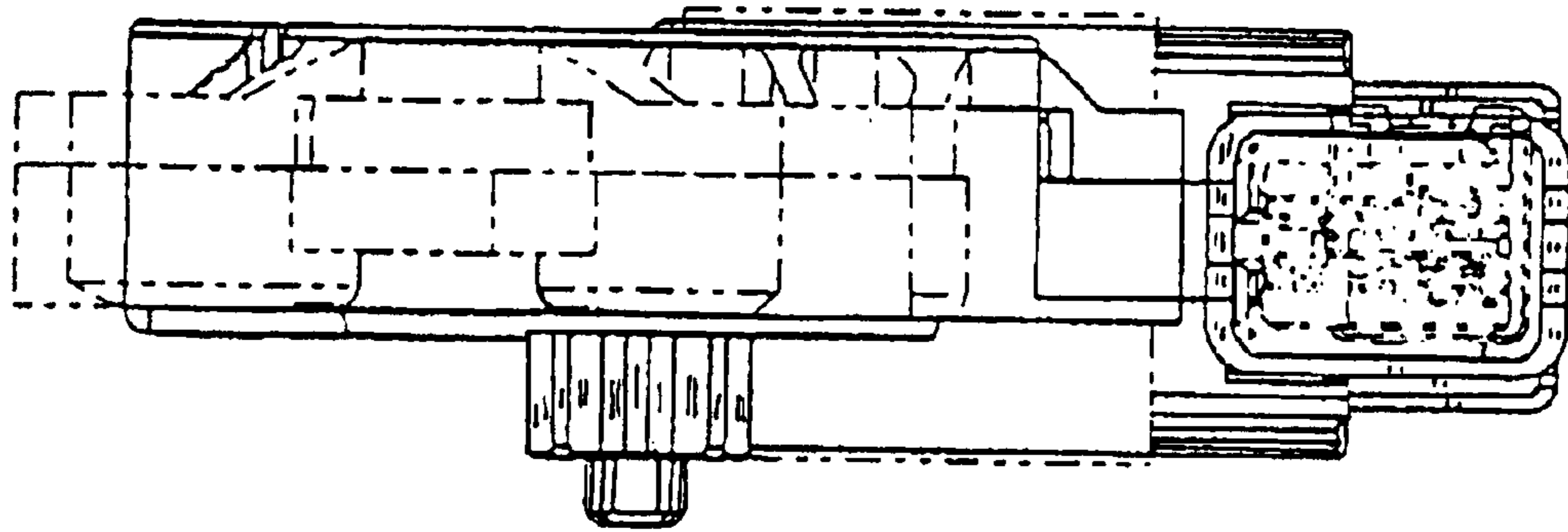


Fig. 3

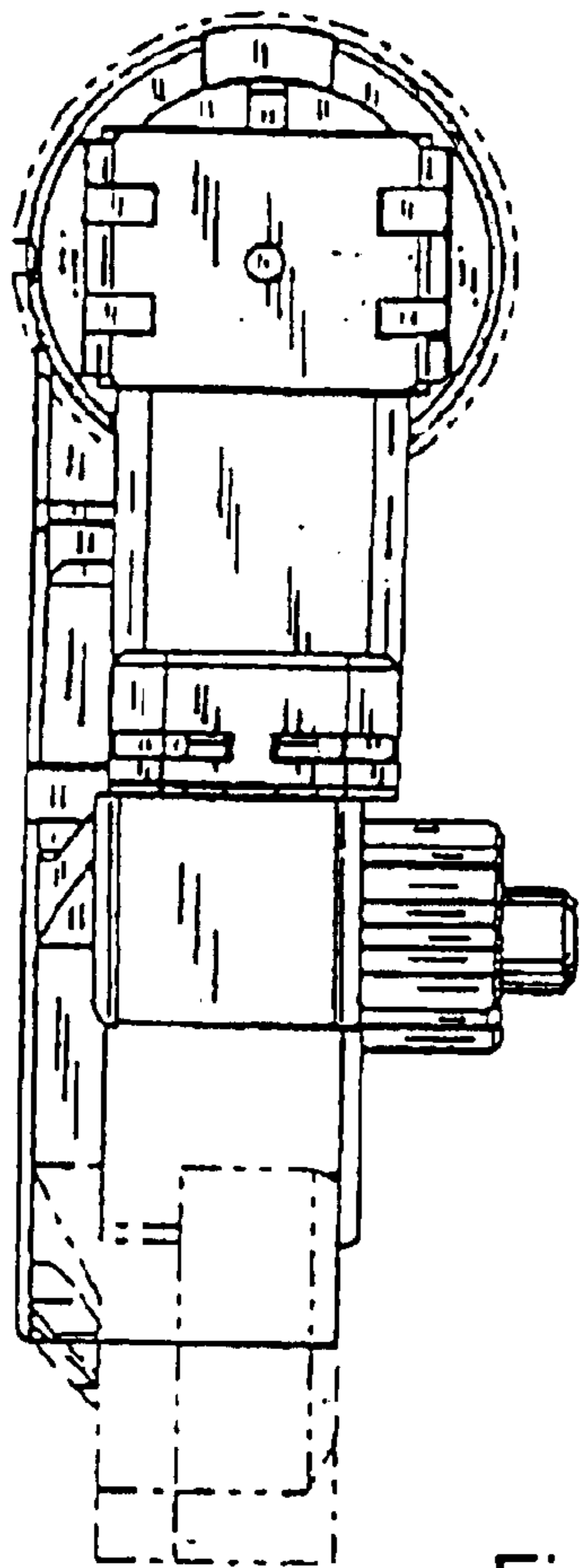


Fig. 4

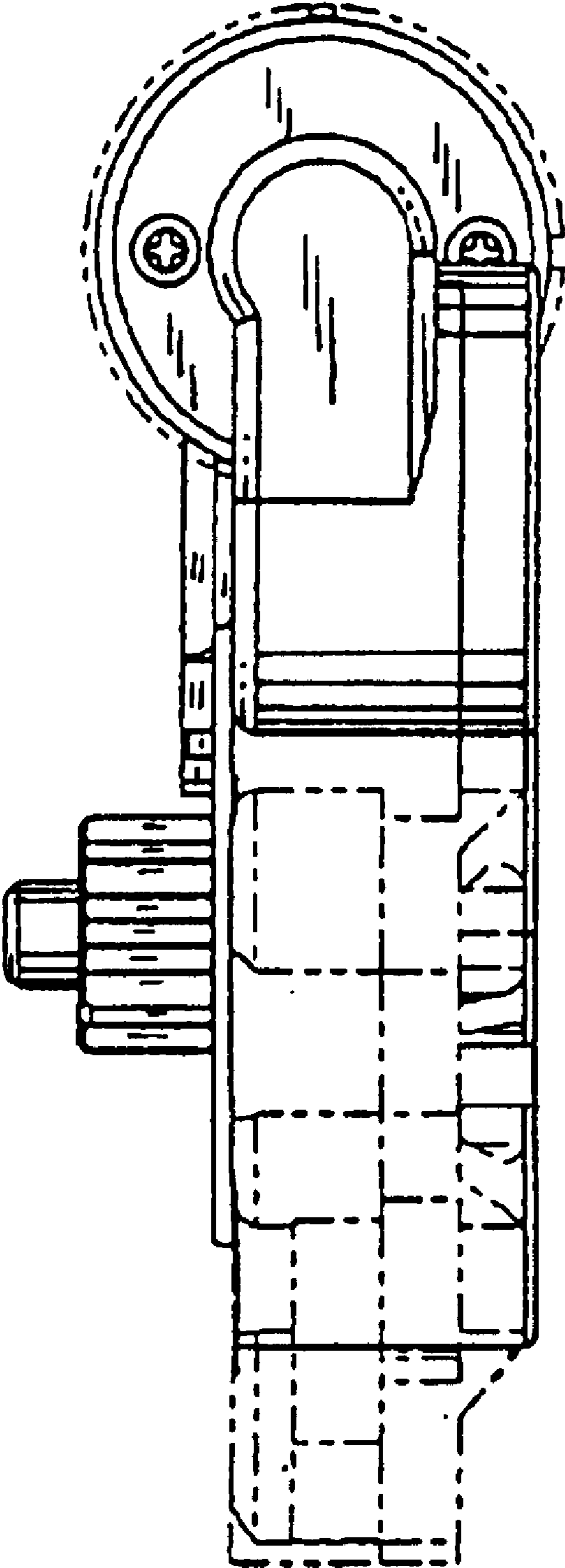


Fig. 5

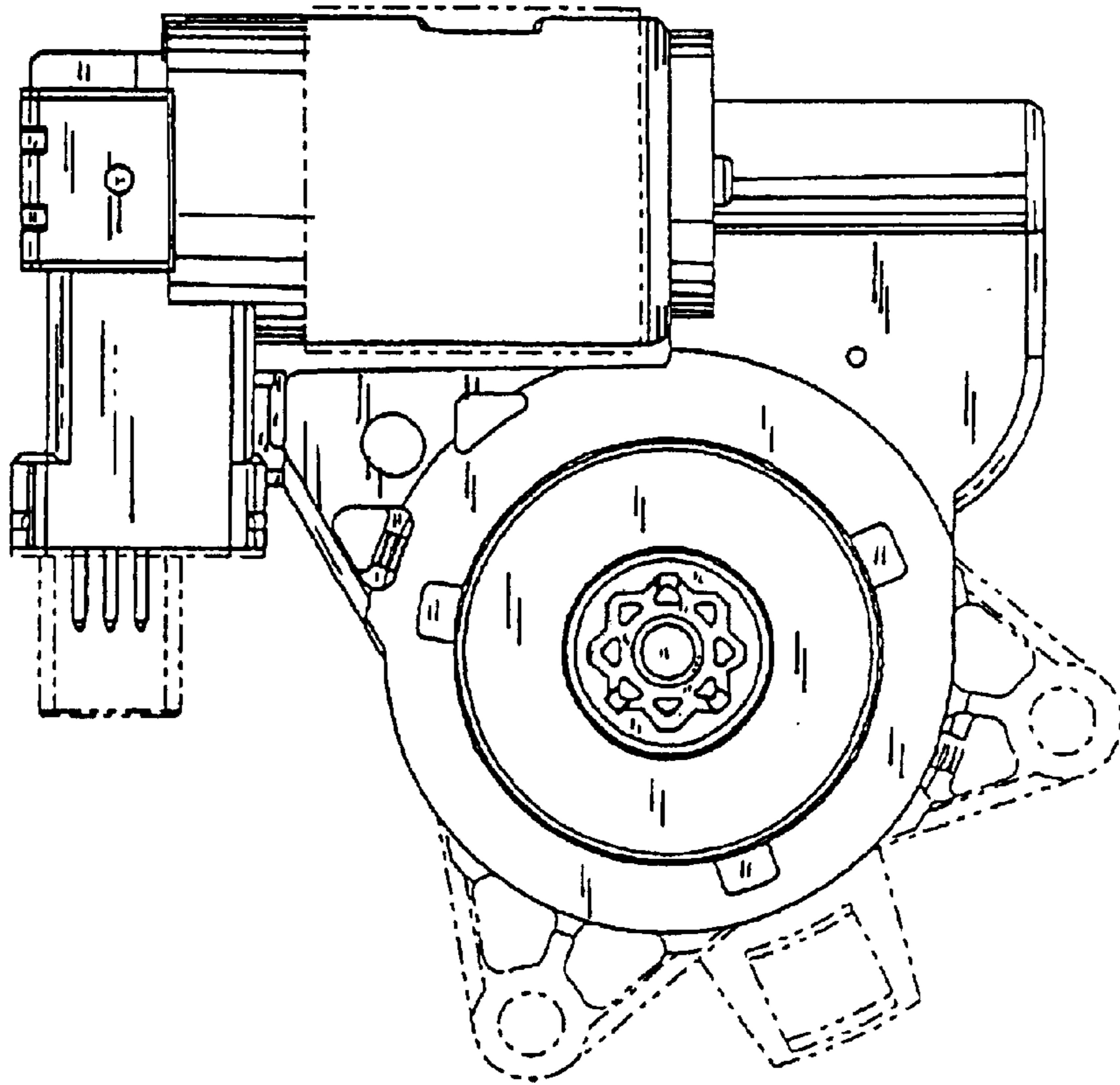


Fig. 6

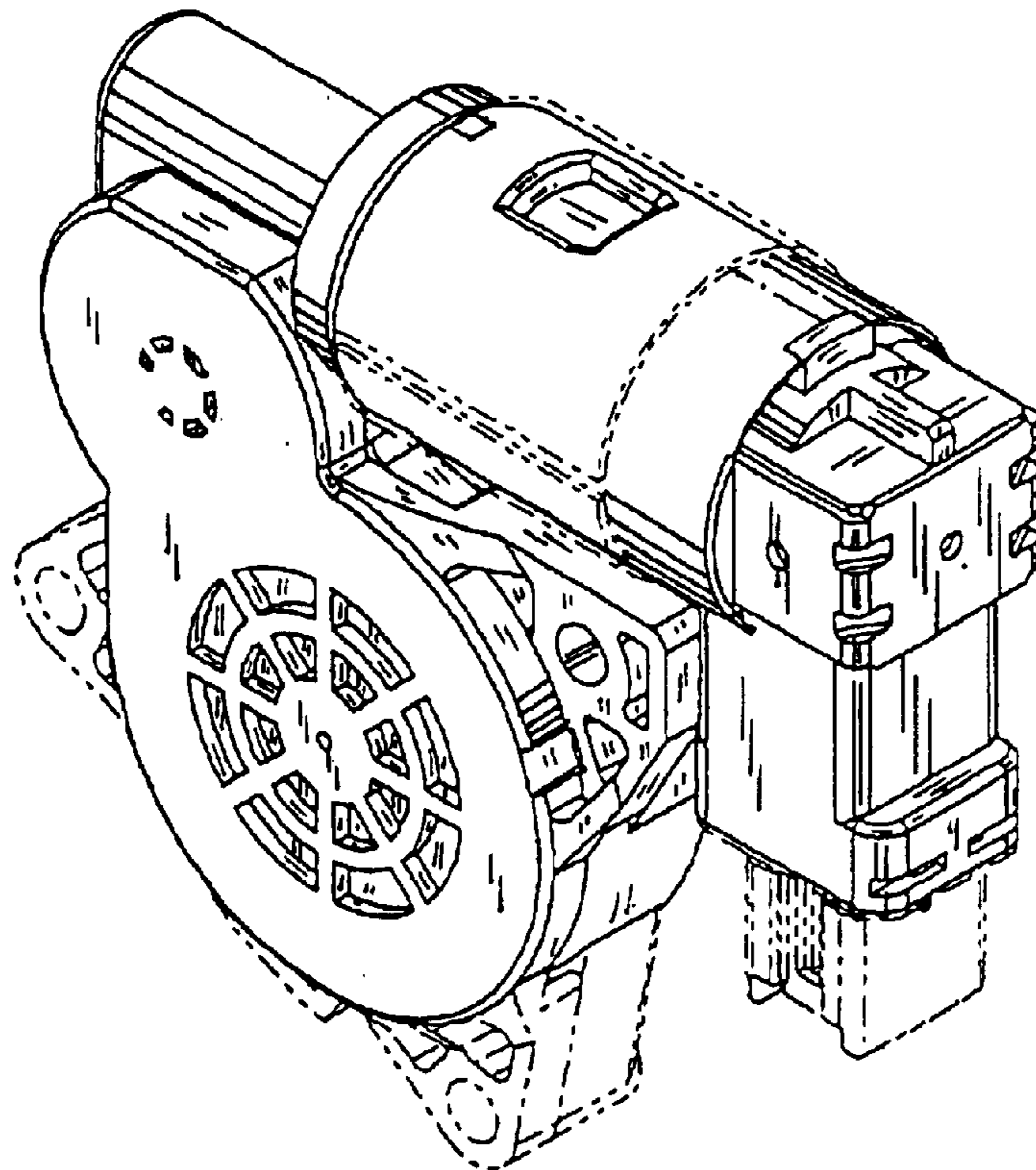


Fig. 7

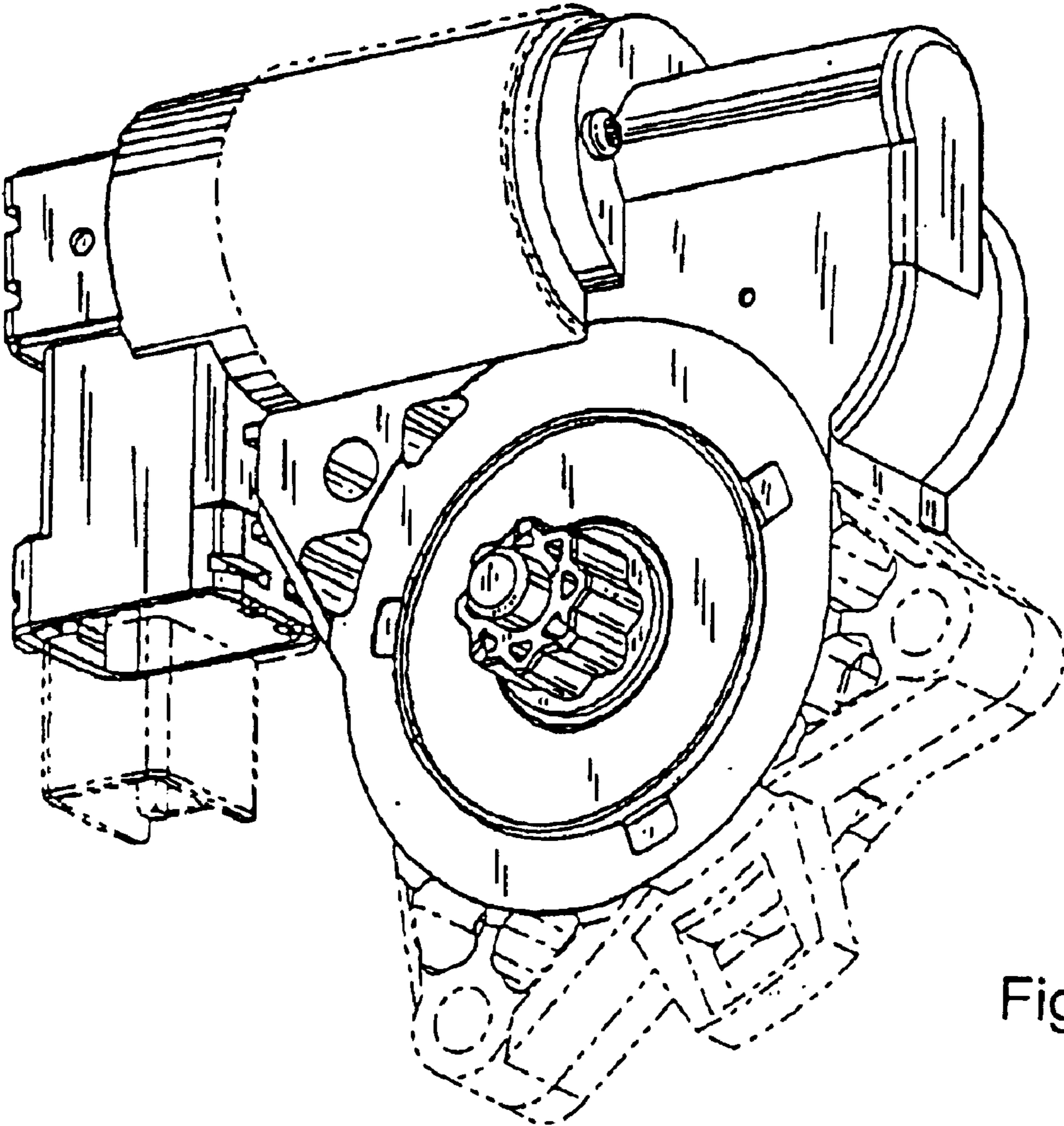


Fig. 8