



US00D494921S1

(12) **United States Design Patent**
Taylor

(10) **Patent No.:** **US D494,921 S**

(45) **Date of Patent:** **** Aug. 24, 2004**

(54) **TRUCK BOX RACK FOR CAB PROTECTION AND LONG CARGO**

(75) **Inventor:** **Elwood L. Taylor**, 999 Memorial Avenue, Thunder Bay, Ontario (CA), P7B 4A1

(73) **Assignee:** **Elwood L. Taylor**, Ontario (CA)

(**) **Term:** **14 Years**

(21) **Appl. No.:** **29/194,497**

(22) **Filed:** **Nov. 25, 2003**

(51) **LOC (7) Cl.** **12-16**

(52) **U.S. Cl.** **D12/414**

(58) **Field of Search** D12/414-414.1, D12/406, 412; 296/3, 26, 50-56, 24.1-24.2, 180.1; 280/727; 224/402-405; 211/182, 162, 175-176, 205-206; 410/139-145, 108-110, 151, 129; 52/731.6-731.7, 735.1, 737.6

(56) **References Cited**

U.S. PATENT DOCUMENTS

D206,654 S	*	1/1967	Smith	D12/414
D212,530 S	*	10/1968	Smith	D12/414
D220,688 S	*	5/1971	Zulim	D12/412
D253,170 S	*	10/1979	Ramirez	D12/412
D262,698 S	*	1/1982	Hagist	D12/412
D306,003 S	*	2/1990	Berkan, Jr.	D12/414
D318,447 S	*	7/1991	Haugen et al.	D12/412

D363,460 S	*	10/1995	Marshall	D12/406
D398,284 S	*	9/1998	Carter et al.	D12/406
D444,446 S	*	7/2001	Carter	D12/406
D463,358 S	*	9/2002	Thomas	D12/406
D467,862 S	*	12/2002	Jenkins	D12/414

* cited by examiner

Primary Examiner—Stacia Cadmus

(74) *Attorney, Agent, or Firm*—Reising, Ethington, Barnes, Kisselle & Learman, P.C.

(57) **CLAIM**

The ornamental design for a truck box rack for cab protection and long cargo, shown and described.

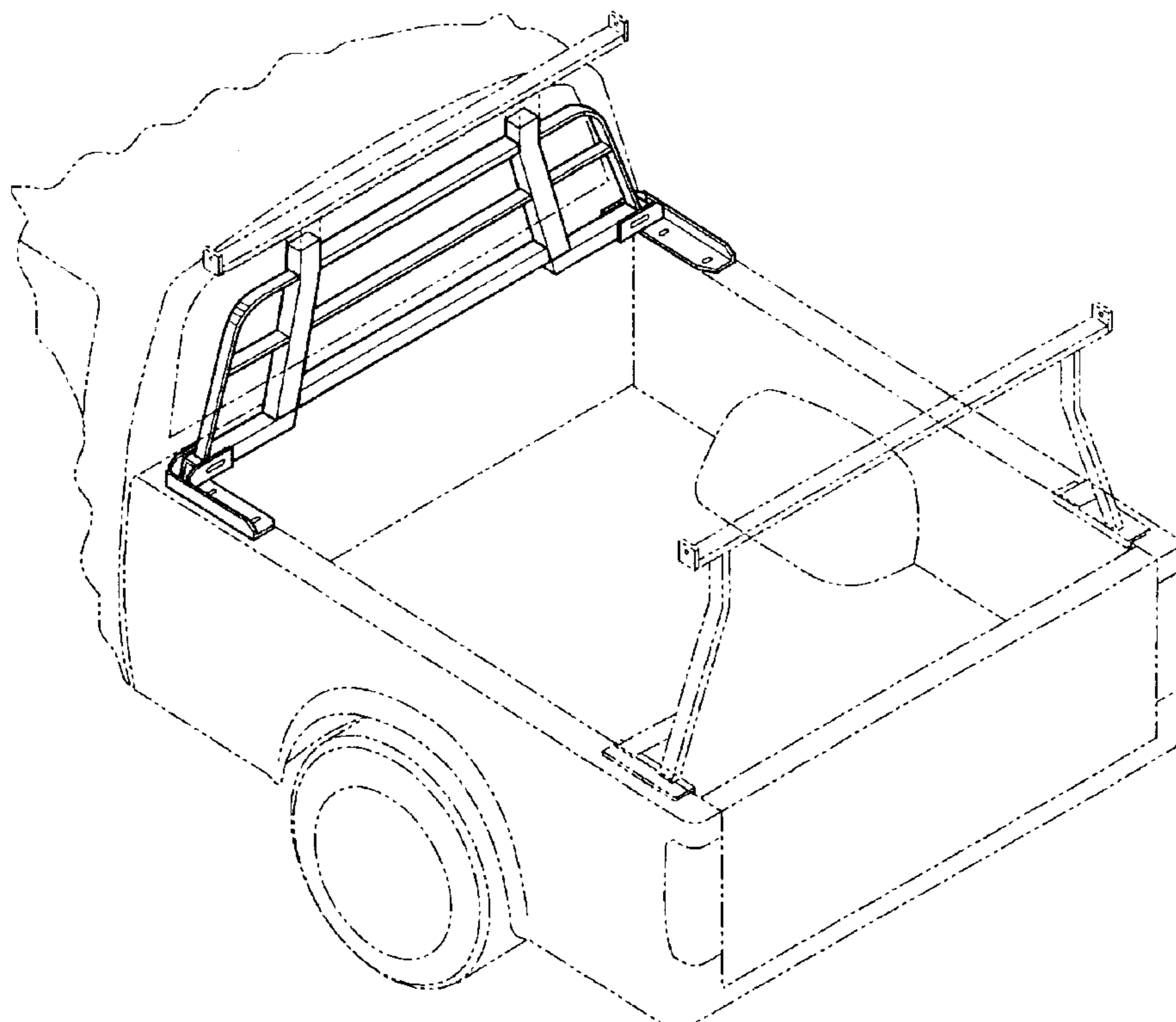
DESCRIPTION

FIG. 1 is a perspective view of the truck box rack and cab protector;
FIG. 2 is a rear elevational view of the front truck box rack and cab protector;
FIG. 3 is a top plan view of the front truck box rack and cab protector;
FIG. 4 is a bottom plan view of the front truck box rack and cab protector; and,
FIG. 5 is a side elevational view of the front truck box rack and cab protector.

The broken line showing of environment is for illustrative purposes only and forms no part of the claimed design.

The rack is shown on an enlarged scale in FIGS. 2-5 as compared to FIG. 1.

1 Claim, 3 Drawing Sheets



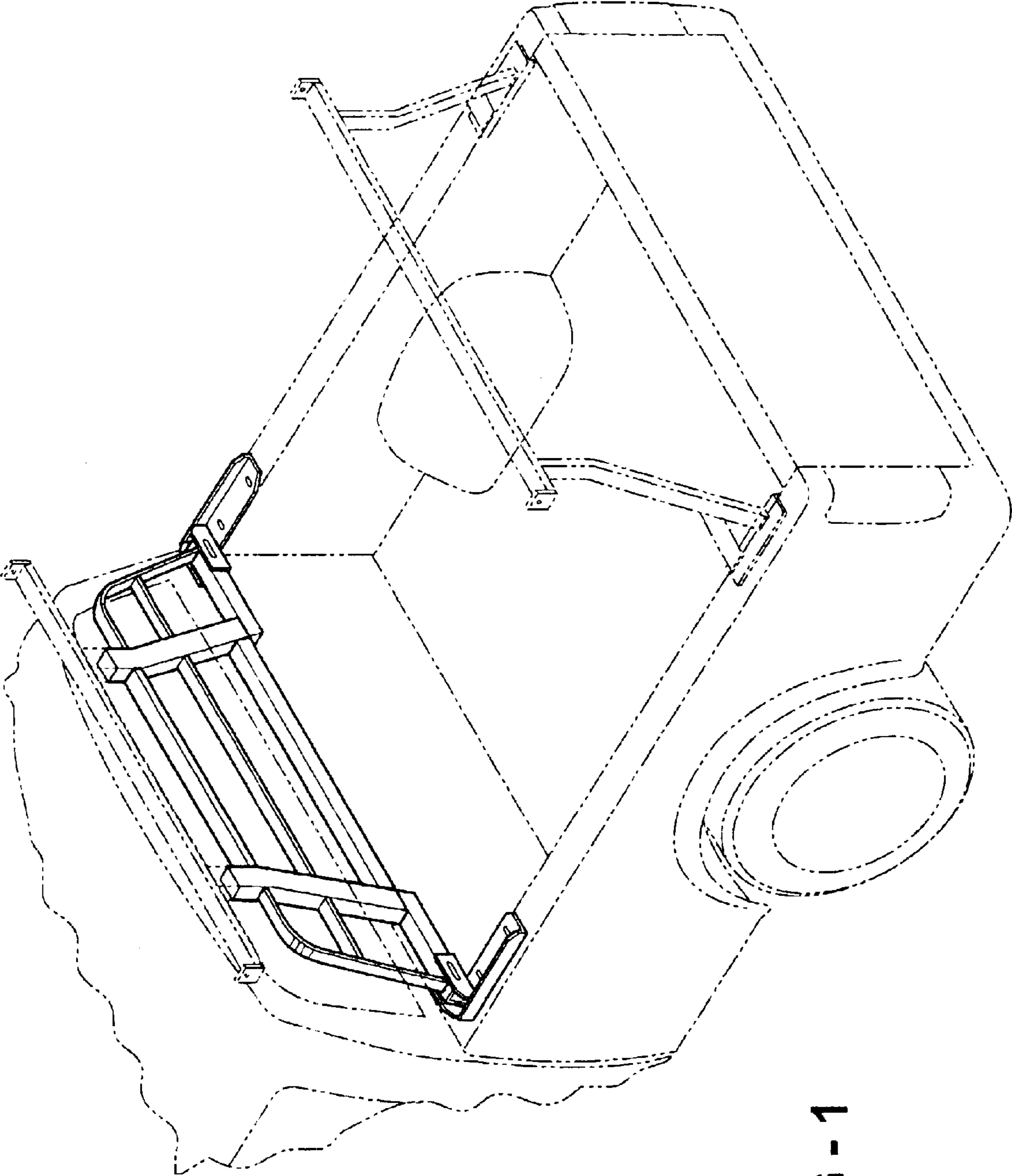


FIG - 1

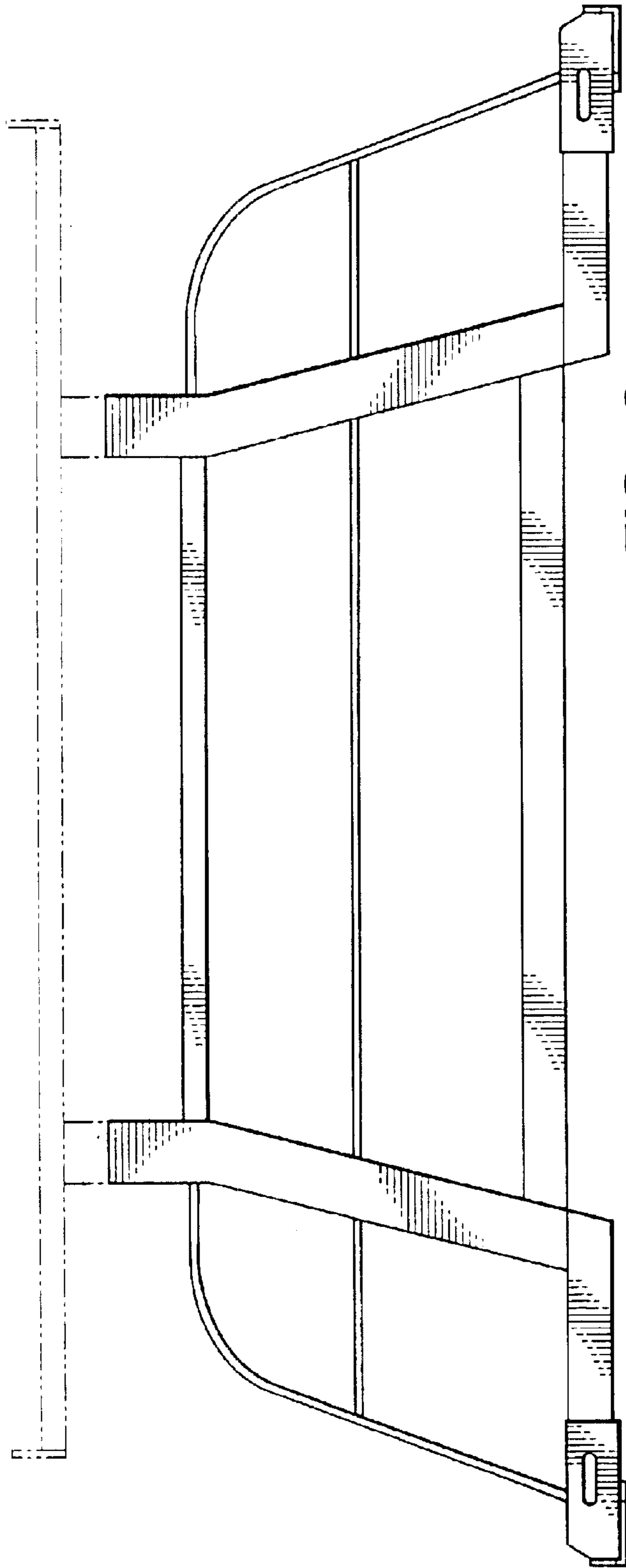


FIG - 2

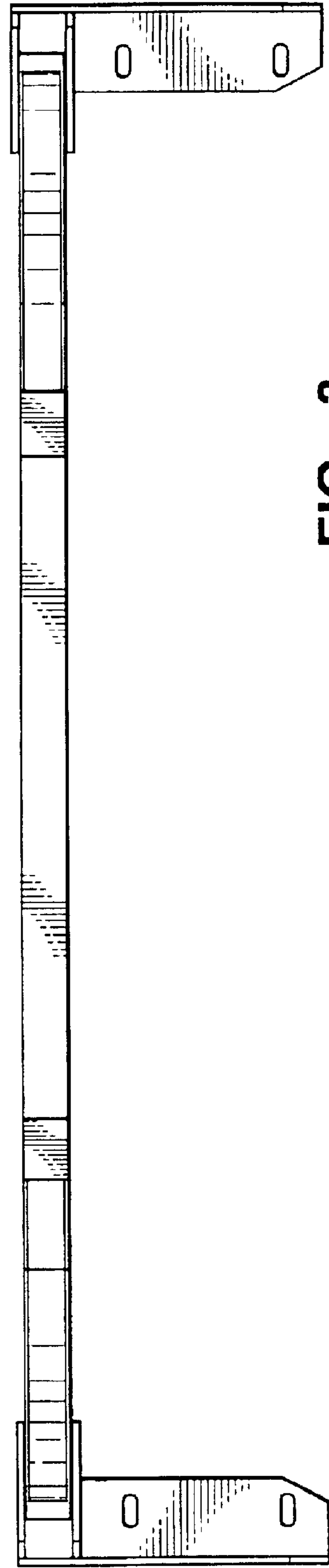


FIG - 3

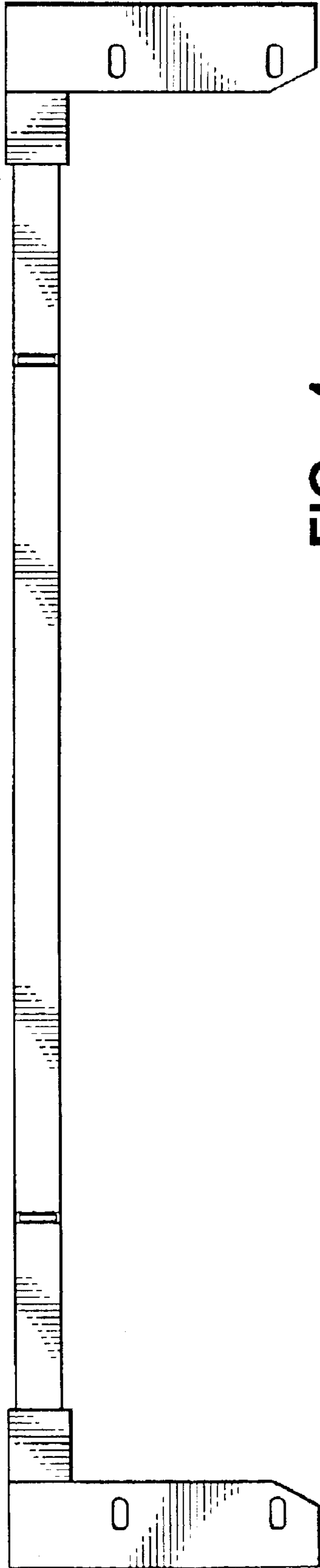


FIG - 4

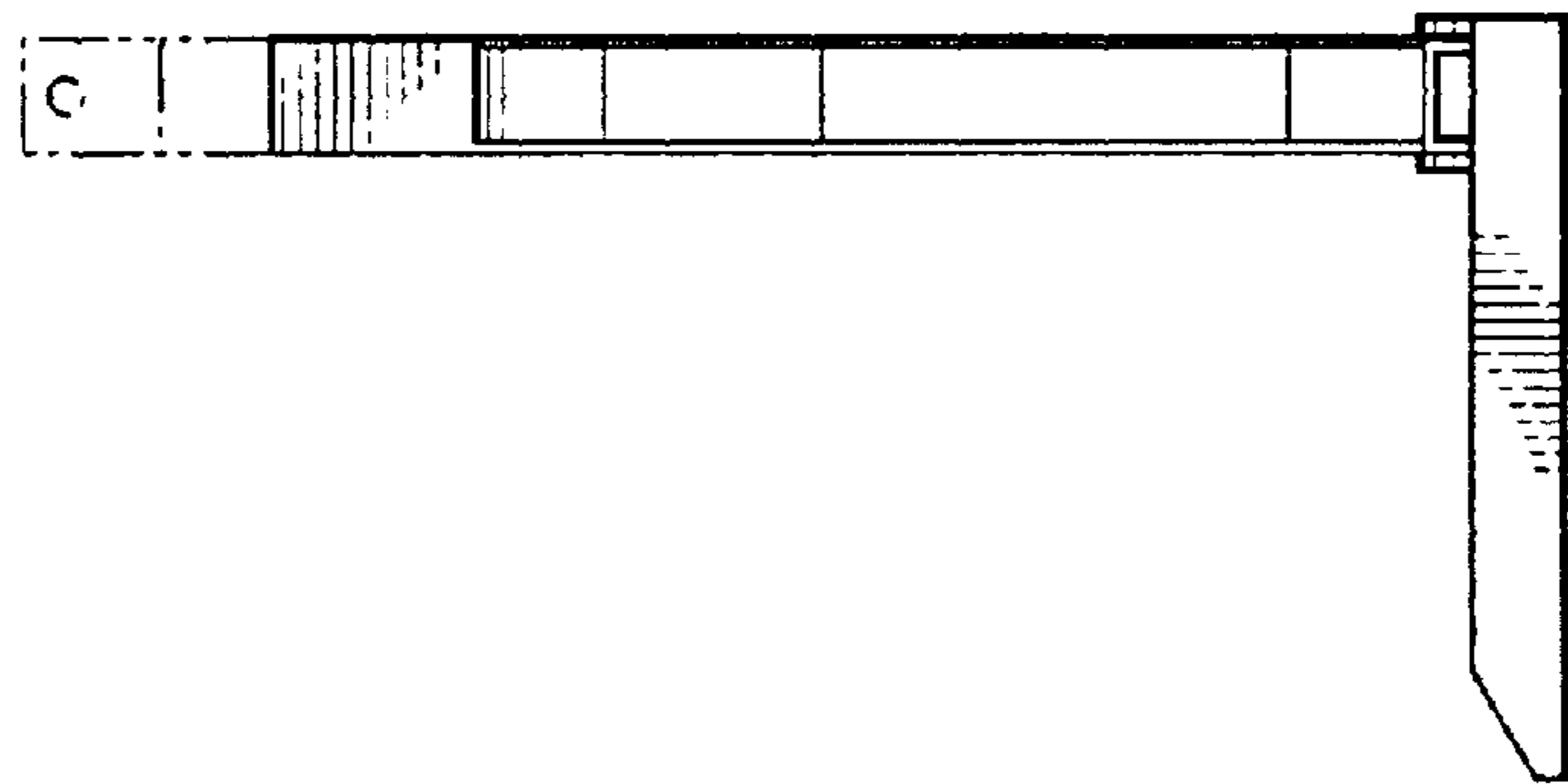


FIG - 5