



US00D494917S1

(12) **United States Design Patent**
Pollmann

(10) **Patent No.: US D494,917 S**

(45) **Date of Patent: ** Aug. 24, 2004**

(54) **FRONT FACE OF A VEHICLE WHEEL**

(75) **Inventor: Gert Pollmann, Boehmfeld (DE)**

(73) **Assignee: Bayerische Motoren Werke
Aktiengesellschaft, Munich (DE)**

(**) **Term: 14 Years**

(21) **Appl. No.: 29/192,282**

(22) **Filed: Oct. 23, 2003**

(30) **Foreign Application Priority Data**

Apr. 24, 2003 (DE) 403 03 219

(51) **LOC (7) Cl. 12-16**

(52) **U.S. Cl. D12/211**

(58) **Field of Search D12/204-213;
301/37.101, 64.101, 65**

(56) **References Cited**

U.S. PATENT DOCUMENTS

D258,503 S	*	3/1981	Semple	D12/211
D275,665 S	*	9/1984	de Vries	D12/211
D375,076 S	*	10/1996	Cattaneo	D12/211
D392,611 S	*	3/1998	Echazabal et al.	D12/211
D407,056 S	*	3/1999	Hodges et al.	D12/211
D409,552 S	*	5/1999	Chung	D12/211
D419,945 S	*	2/2000	Hartanto	D12/211

D447,993 S	*	9/2001	Neeper	D12/211
D450,027 S	*	11/2001	Kuribayashi	D12/209
D451,463 S	*	12/2001	Murkett et al.	D12/209
D456,333 S		4/2002	Pollmann	D12/211
D459,688 S	*	7/2002	Wiesinger	D12/211
D460,940 S	*	7/2002	Chung	D12/209
D466,854 S	*	12/2002	Kern	D12/211
D468,251 S	*	1/2003	Chung	D12/211
D471,504 S	*	3/2003	Laengerer	D12/211
D475,337 S	*	6/2003	Kataoka	D12/209
D478,539 S	*	8/2003	Brown et al.	D12/209
D479,178 S	*	9/2003	Lai	D12/211

* cited by examiner

Primary Examiner—Stacia Cadmus

(74) *Attorney, Agent, or Firm*—Crowell & Moring LLP

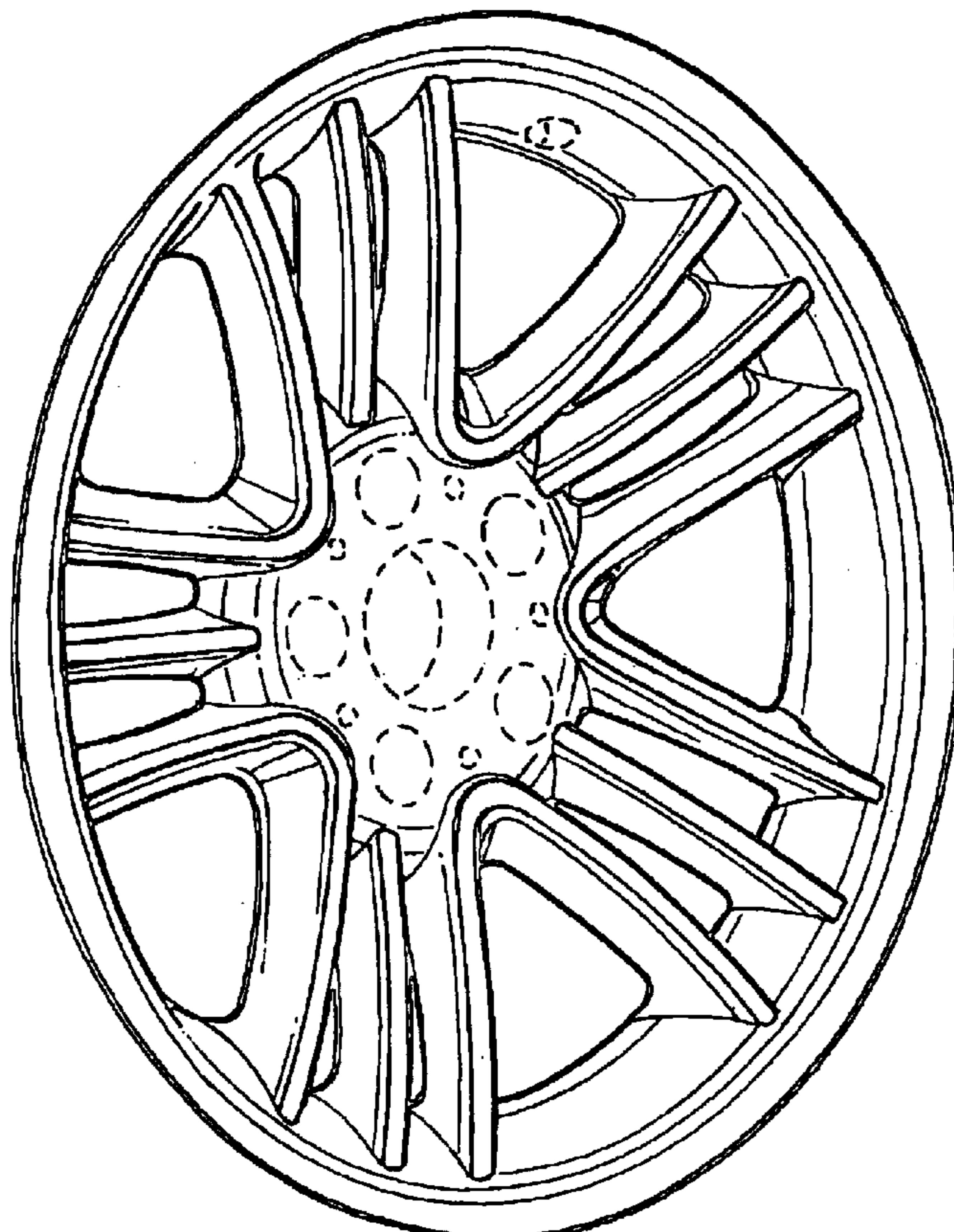
(57) **CLAIM**

The ornamental design for a front face of a vehicle wheel, as shown and described.

DESCRIPTION

FIG. 1 is a front view of a front face of a vehicle wheel according to my novel design; and, FIG. 2 is a perspective view of the front face of a vehicle wheel according to my novel design. The broken lines are for illustrative purposes only and form no part of the claimed design.

1 Claim, 1 Drawing Sheet



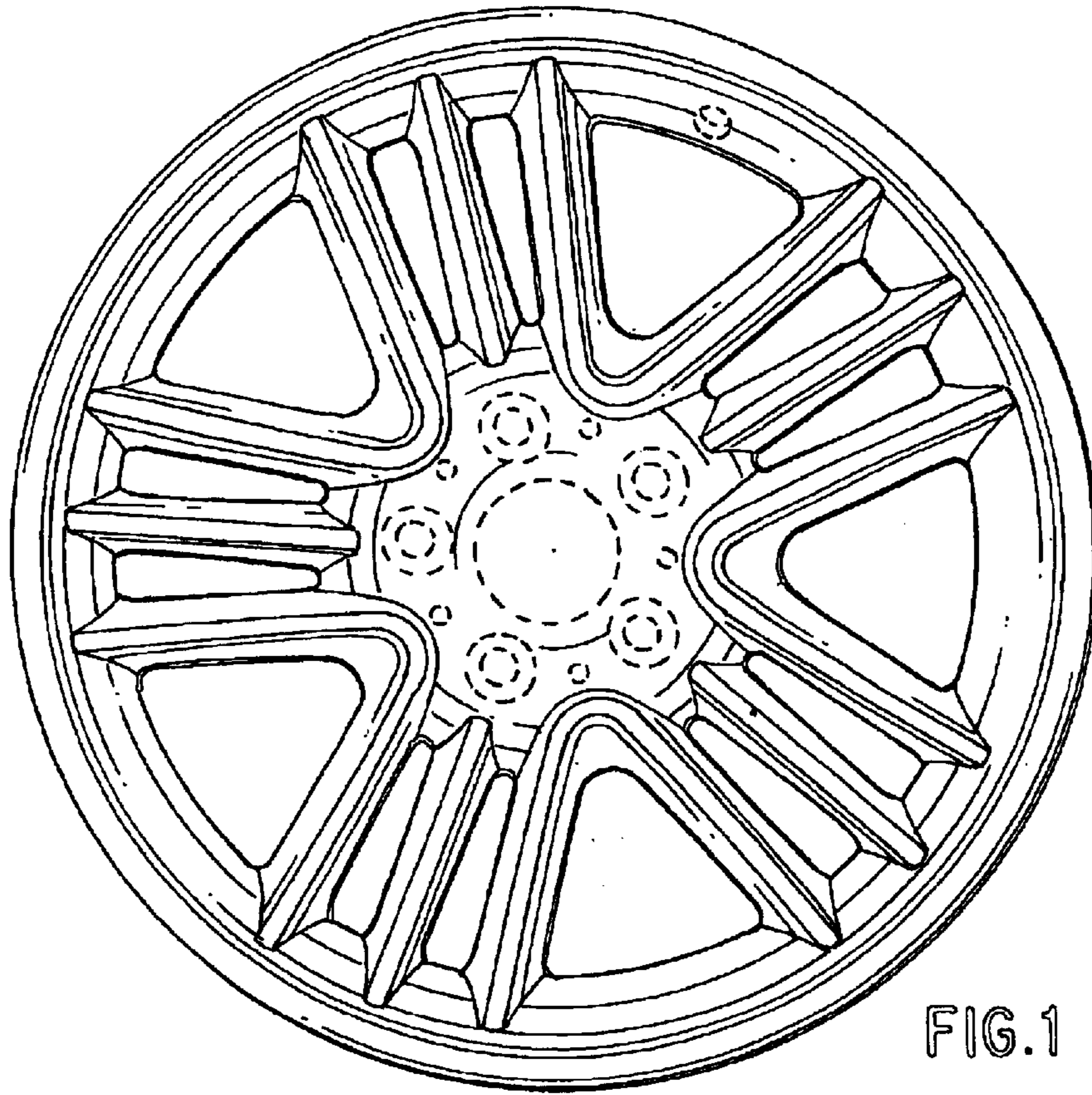


FIG. 1

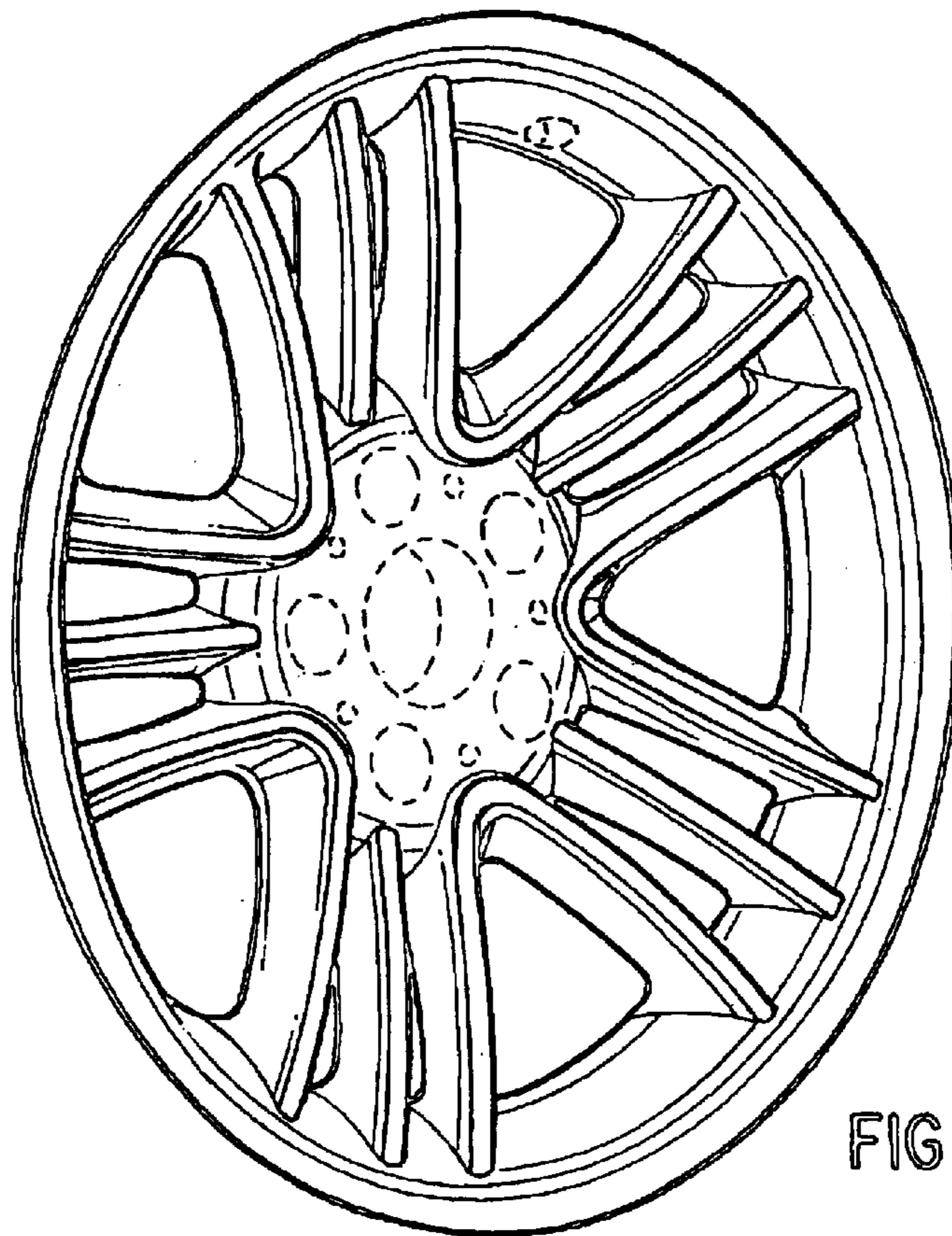


FIG. 2