

US00D494916S1

(12) **United States Design Patent**
Albert

(10) **Patent No.:** **US D494,916 S**

(45) **Date of Patent:** **** Aug. 24, 2004**

(54) **VEHICLE WHEEL**

(76) **Inventor:** **Abdallah Joe Albert**, 4914 San Bernardo, Laredo, TX (US) 78041

(**) **Term:** **14 Years**

(21) **Appl. No.:** **29/199,359**

(22) **Filed:** **Feb. 17, 2004**

(51) **LOC (7) Cl.** **12-16**

(52) **U.S. Cl.** **D12/209**

(58) **Field of Search** D12/204-213;
301/37.101, 64.101, 65

(56) **References Cited**

U.S. PATENT DOCUMENTS

D49,521 S	8/1916	Kunst	D12/209
D210,397 S	3/1968	Edwards	D12/209
D393,240 S	4/1998	Escobedo	D12/213
D399,812 S	* 10/1998	Weld	D12/209
D425,848 S	* 5/2000	Hu	D12/209
D444,437 S	* 7/2001	Chung	D12/209
D445,389 S	* 7/2001	Stach	D12/209
D447,105 S	8/2001	Meza	D12/204
D468,677 S	1/2003	Eldred, II	D12/204

D472,508 S	* 4/2003	Yang	D12/209
D474,438 S	* 5/2003	Gamble et al.	D12/209
D476,940 S	* 7/2003	Cochran	D12/209
D481,341 S	* 10/2003	Morrison	D12/209

* cited by examiner

Primary Examiner—Stacia Cadmus

(74) *Attorney, Agent, or Firm*—Stephen R. Greiner

(57) **CLAIM**

The ornamental design for a vehicle wheel, as shown and described.

DESCRIPTION

FIG. 1 is a perspective view of a vehicle wheel showing my new design;

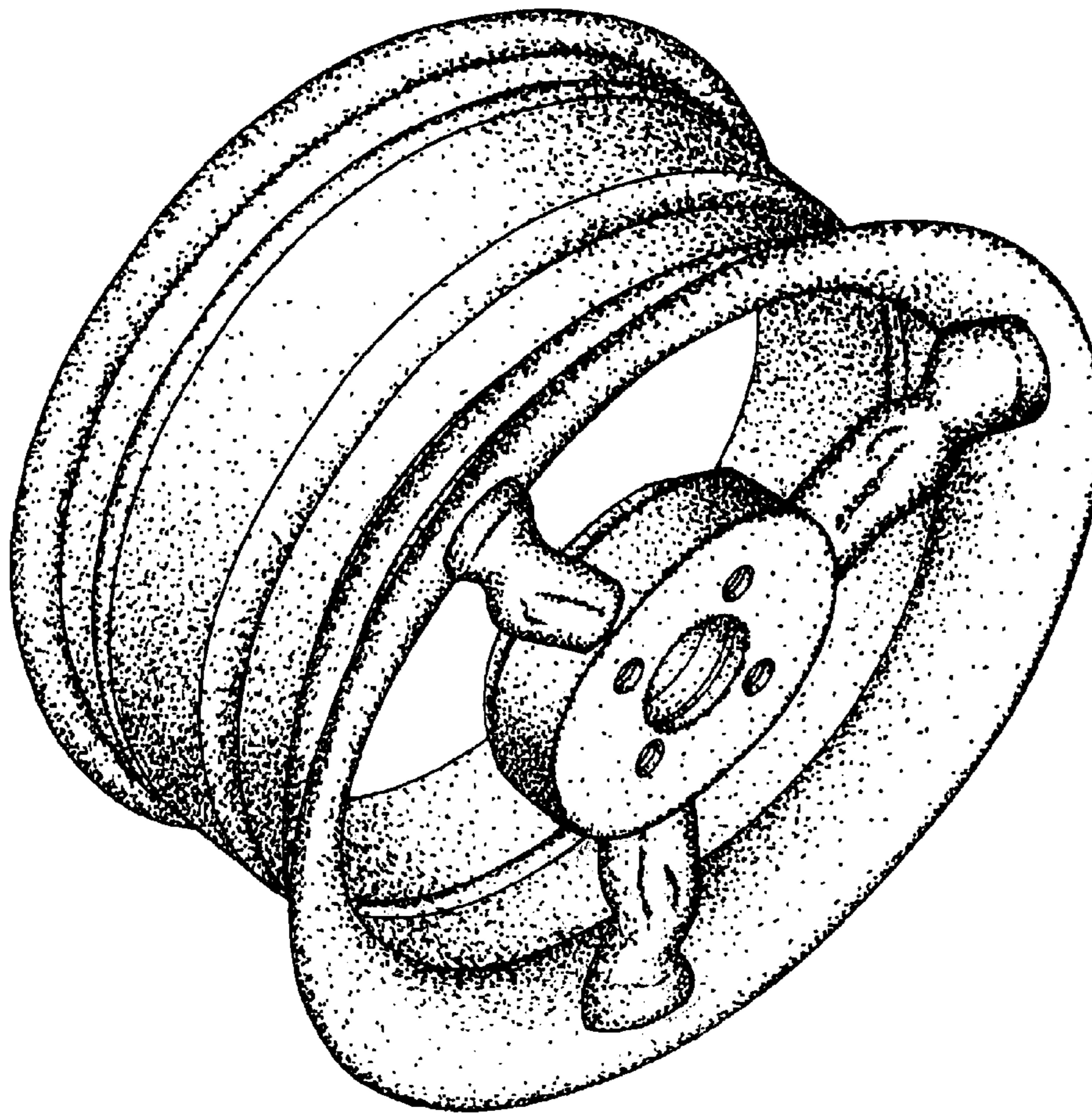
FIG. 2 is a front elevational view thereof;

FIG. 3 is a rear elevational view thereof;

FIG. 4 is a right side elevational view with the left side elevational view, top plan view and bottom plan view being the same thereas; and,

FIG. 5 is a cross-sectional view taken on line 5—5 of FIG. 2.

1 Claim, 2 Drawing Sheets



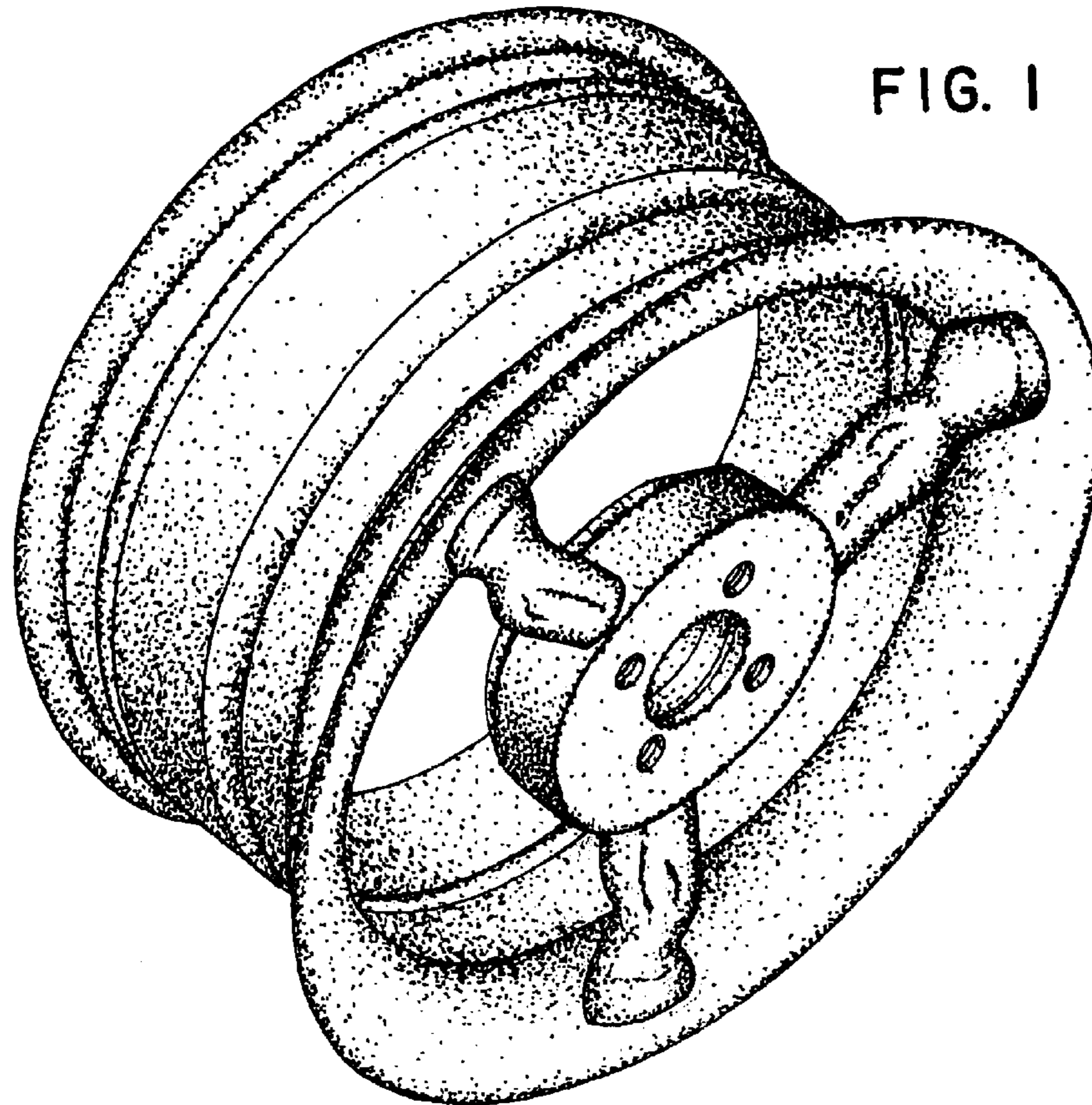


FIG. 1

5 ←

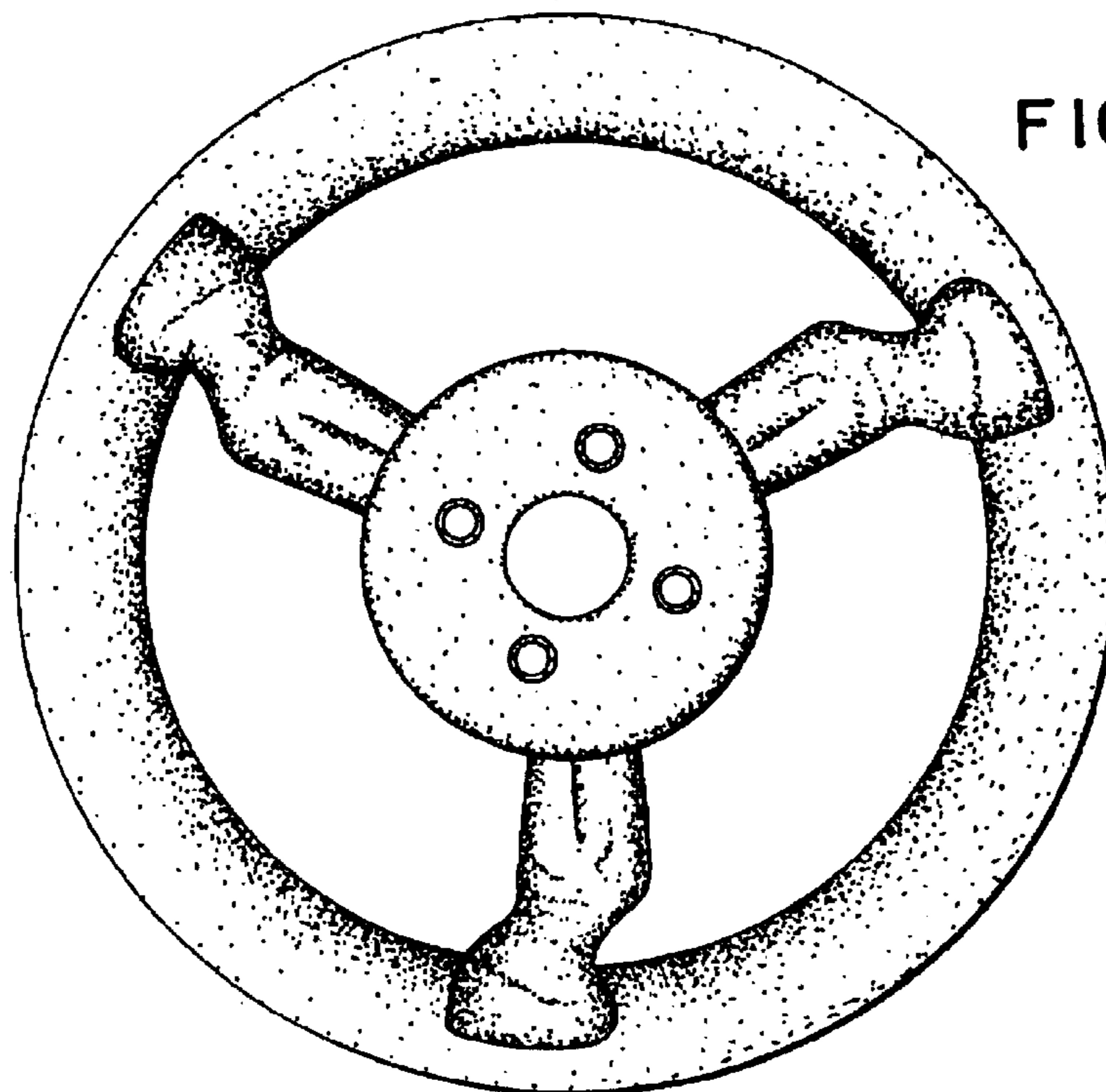


FIG. 2

5 ←

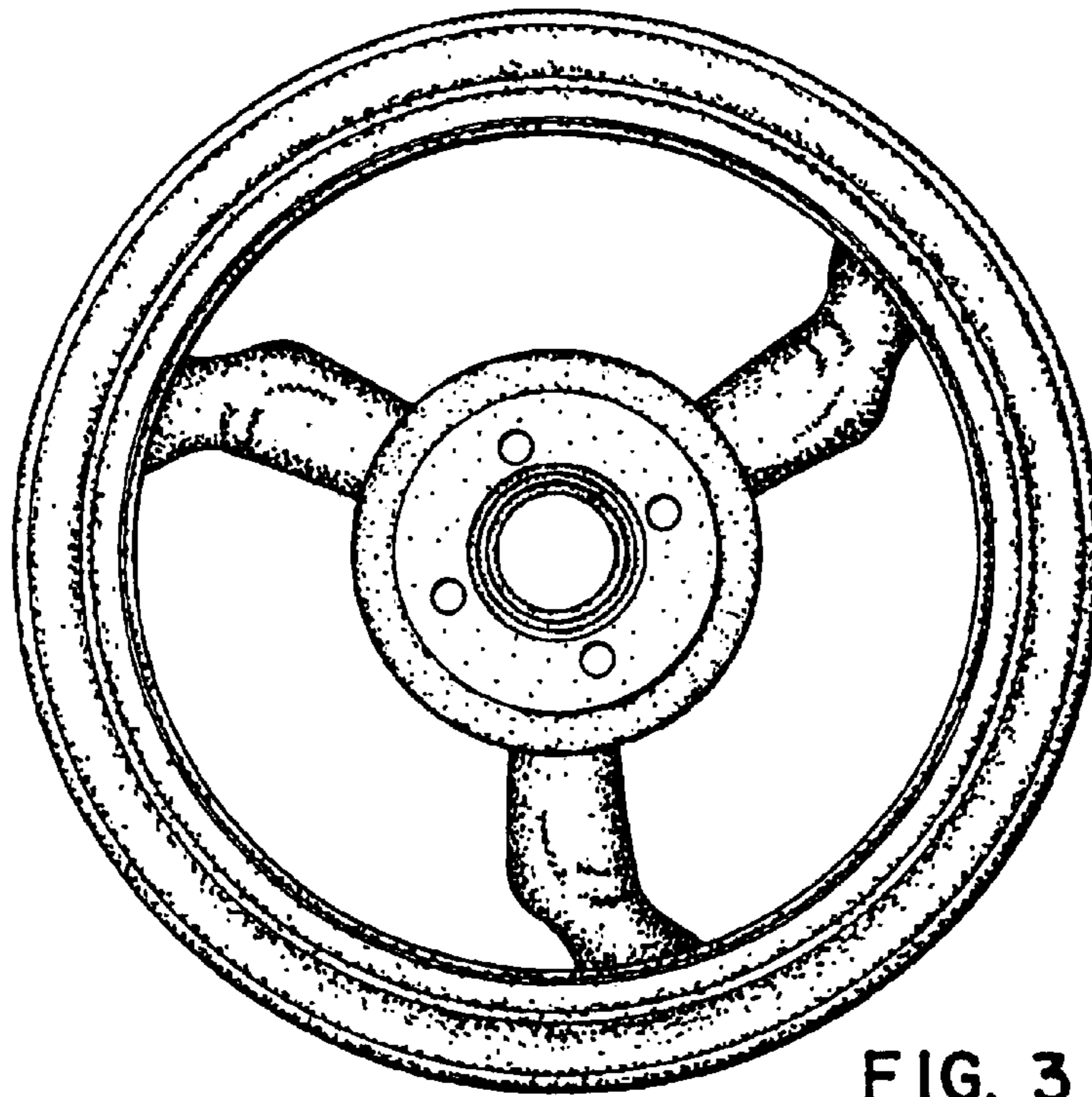


FIG. 3

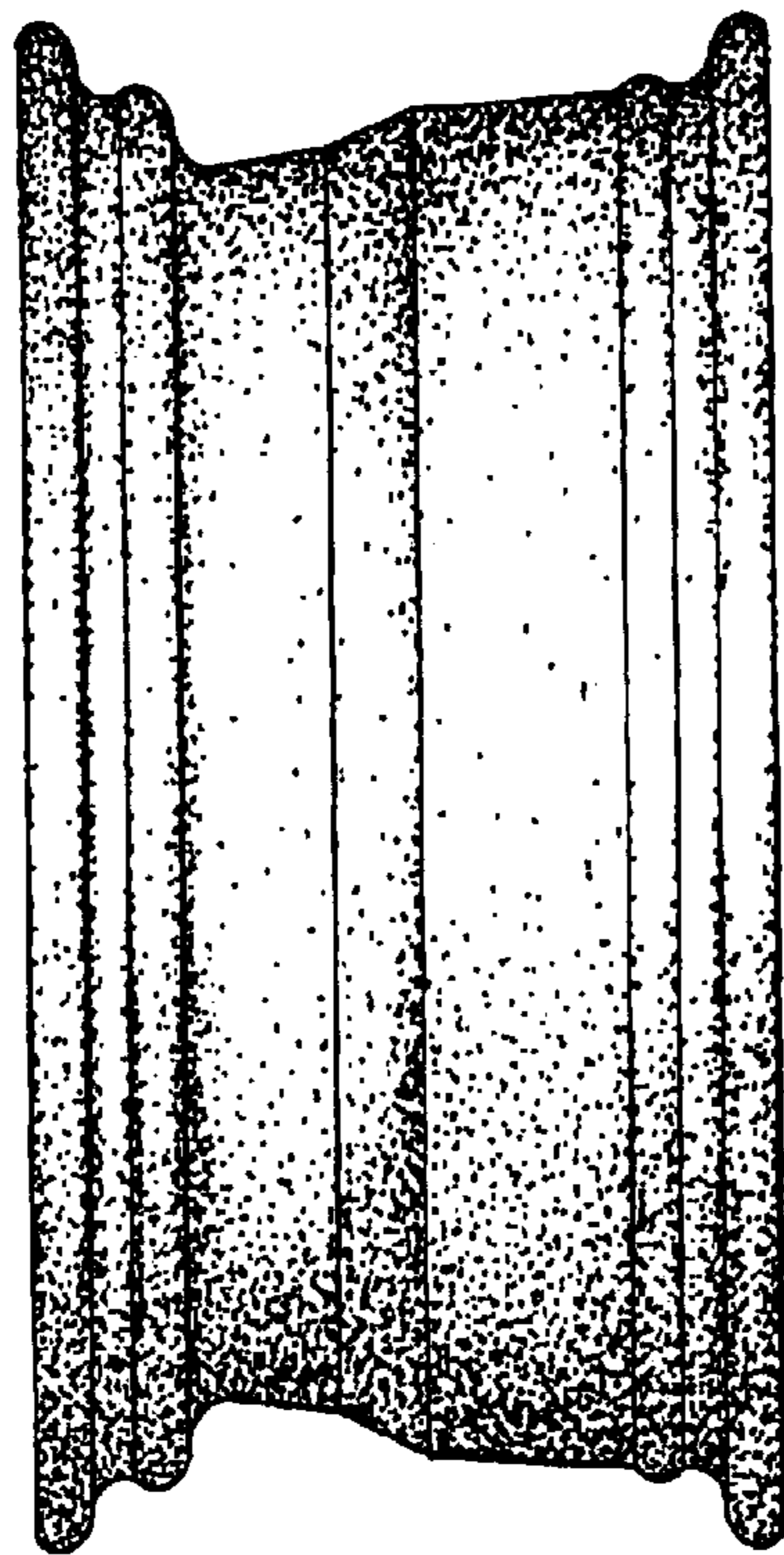


FIG. 4

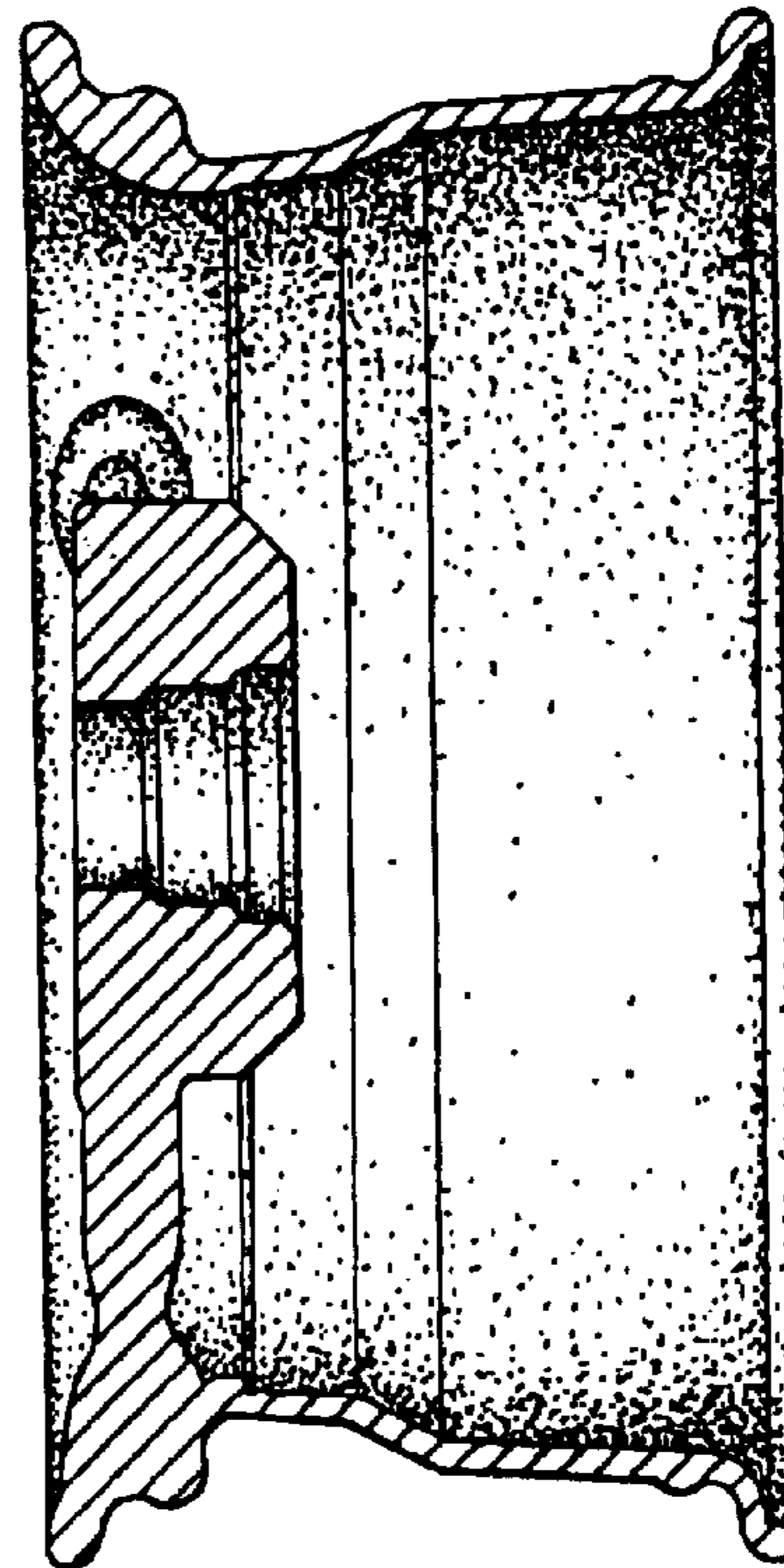


FIG. 5