



US00D494913S1

(12) **United States Design Patent**  
**Chapman**

(10) **Patent No.:** **US D494,913 S**

(45) **Date of Patent:** **\*\* Aug. 24, 2004**

(54) **SURFACE CONFIGURATION OF A REAR DOOR FOR A VEHICLE**

(75) **Inventor:** **Christopher V. Chapman**, Simi Valley, CA (US)

(73) **Assignee:** **Bayerische Motoren Werke Aktiengesellschaft**, Munich (DE)

(\*\*) **Term:** **14 Years**

(21) **Appl. No.:** **29/189,173**

(22) **Filed:** **Sep. 2, 2003**

(30) **Foreign Application Priority Data**

Mar. 3, 2003 (DE) ..... 403 01 889

(51) **LOC (7) Cl.** ..... **12-16**

(52) **U.S. Cl.** ..... **D12/196**

(58) **Field of Search** ..... D12/90-92, 86, D12/196; D21/424, 433; 296/185

(56) **References Cited**

**U.S. PATENT DOCUMENTS**

D419,109 S \* 1/2000 Gabath ..... D12/91  
D436,059 S \* 1/2001 Goplen ..... D12/91

D463,767 S \* 10/2002 Sehgal et al. .... D12/196  
D466,458 S \* 12/2002 Murkett ..... D12/196  
D468,237 S \* 1/2003 Murkett ..... D12/91  
D469,038 S \* 1/2003 Mattin et al. .... D12/91  
D479,491 S \* 9/2003 Kato et al. .... D12/91

\* cited by examiner

*Primary Examiner*—Melody N. Brown

(74) *Attorney, Agent, or Firm*—Crowell & Moring LLP

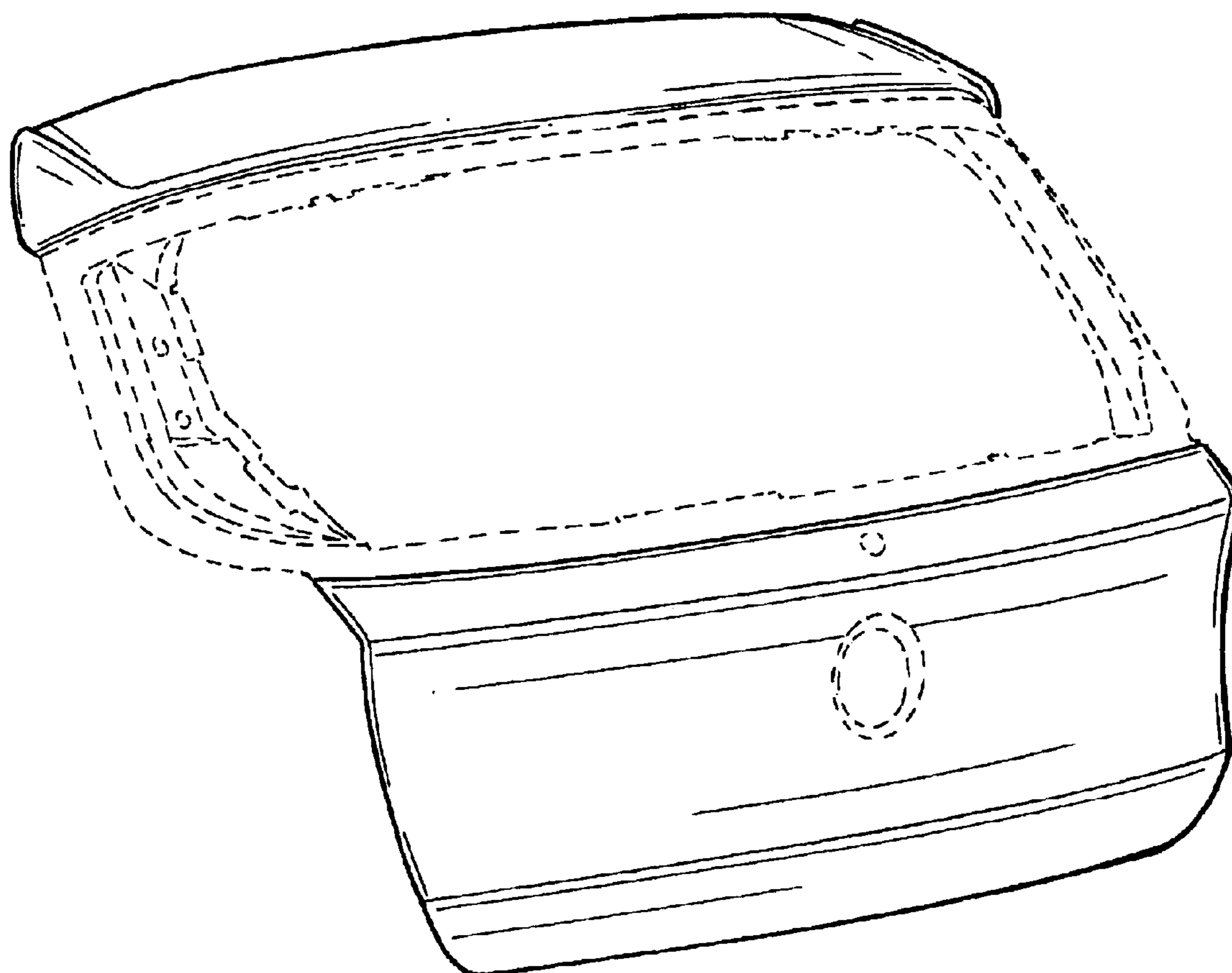
(57) **CLAIM**

The ornamental design for a surface configuration of a rear door for a vehicle, as shown and described.

**DESCRIPTION**

FIG. 1 is a left, perspective view of a surface configuration of a rear door for a vehicle according to my novel design, the right, perspective view being mirror symmetrical; FIG. 2 is a front view of the surface configuration of a rear door for a vehicle according to my novel design; and, FIG. 3 is a left side view of the surface configuration of a rear door for a vehicle according to my novel design, the right side view being mirror symmetrical. The broken lines are for illustrative purposes only and form no part of the claimed design.

**1 Claim, 2 Drawing Sheets**



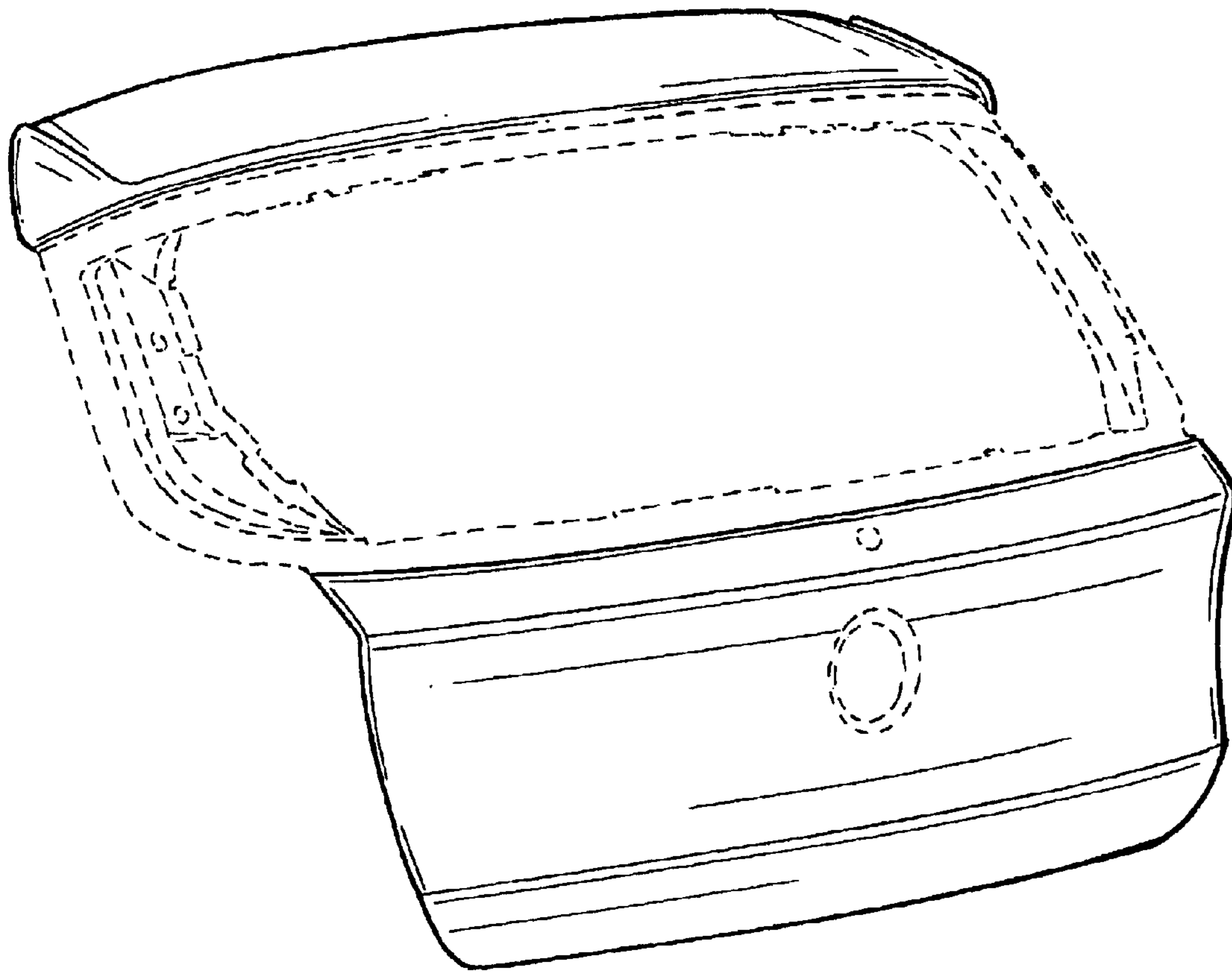


FIG. 1

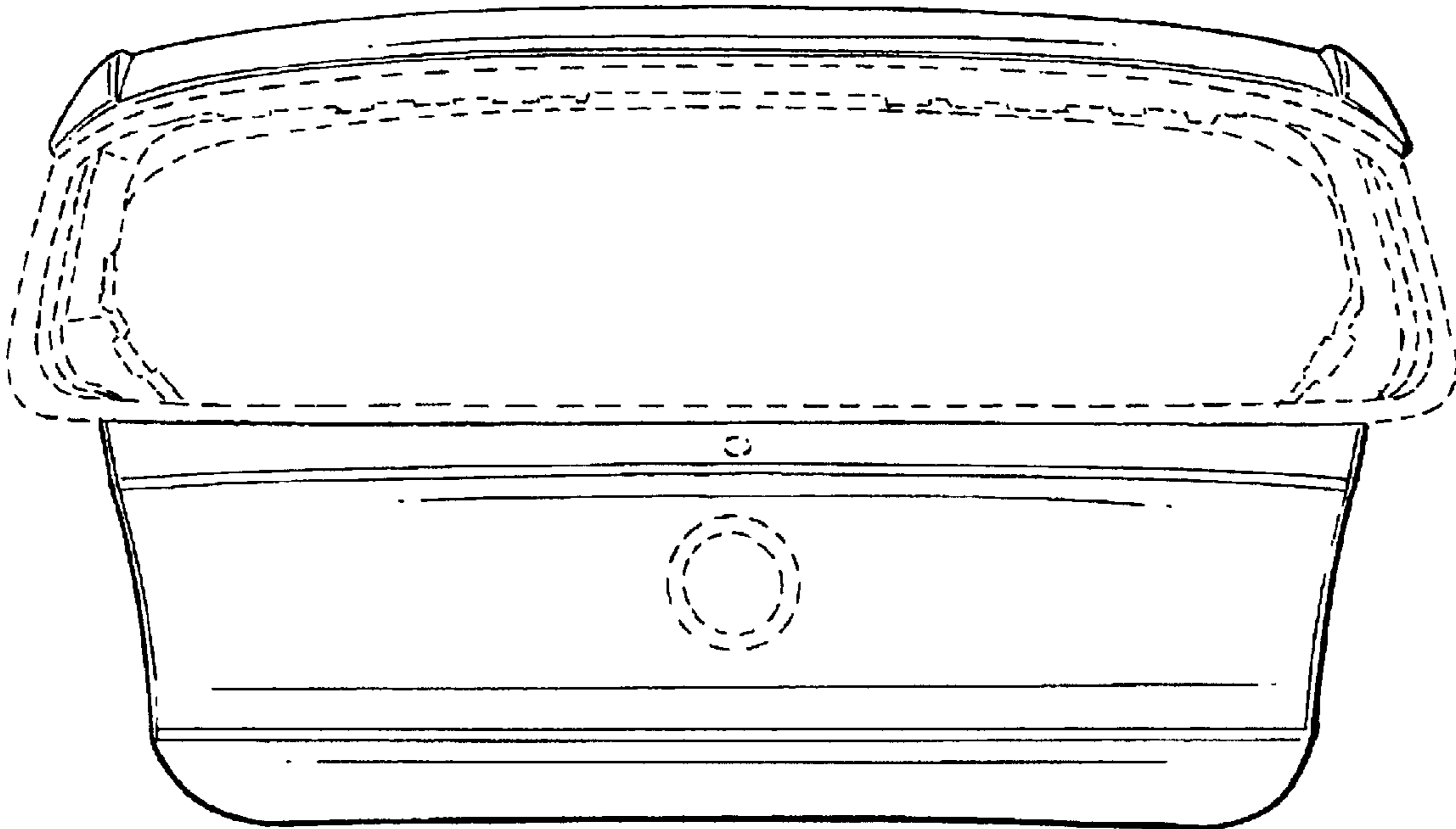


FIG. 2

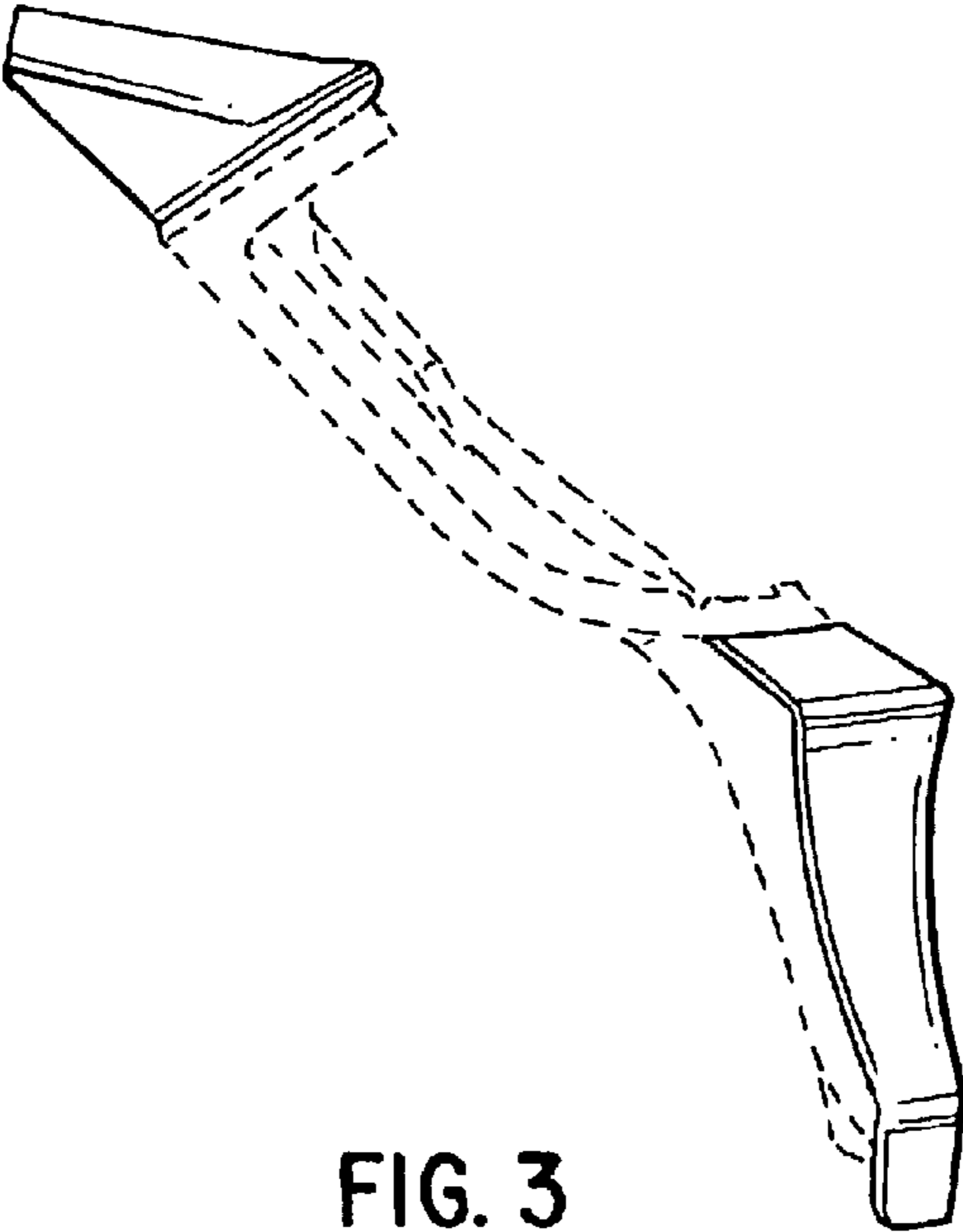


FIG. 3