

US00D494907S1

(12) **United States Design Patent**
Pfeiffer

(10) **Patent No.:** **US D494,907 S**

(45) **Date of Patent:** **** Aug. 24, 2004**

(54) **SURFACE CONFIGURATION OF A DASHBOARD FOR A VEHICLE**

(75) Inventor: **Peter Pfeiffer**, Boeblingen (DE)

(73) Assignee: **DaimlerChrysler AG**, Stuttgart (DE)

(**) Term: **14 Years**

(21) Appl. No.: **29/197,288**

(22) Filed: **Jan. 14, 2004**

(30) **Foreign Application Priority Data**

Jul. 15, 2003 (DE) 4 03 04 749
Aug. 15, 2003 (DE) 4 03 05 371

(51) **LOC (7) Cl.** **12-16**

(52) **U.S. Cl.** **D12/192**

(58) **Field of Search** D12/192; 180/90;
280/750-752; 296/190-191, 70; D10/46,
102, 98, 122-127

(56) **References Cited**

U.S. PATENT DOCUMENTS

D369,999 S * 5/1996 Sacco et al. D12/192
D372,010 S * 7/1996 Pfeiffer et al. D12/192
D389,798 S * 1/1998 Ma et al. D12/192
D403,641 S * 1/1999 Sacco et al. D12/192
D419,936 S * 2/2000 Sacco et al. D12/192
D423,434 S * 4/2000 Yano et al. D12/192
D424,002 S * 5/2000 Leschke et al. D12/192
D439,211 S * 3/2001 Pfeiffer D12/192
D440,193 S * 4/2001 Pfeiffer D12/192

D464,008 S * 10/2002 Siegert et al. D12/192
D469,391 S * 1/2003 Pfeiffer et al. D12/192
D470,809 S * 2/2003 Asahi et al. D12/192
D480,671 S * 10/2003 Pfeiffer et al. D12/192

* cited by examiner

Primary Examiner—Stacia Cadmus

(74) *Attorney, Agent, or Firm*—Crowell & Moring LLP

(57) **CLAIM**

The ornamental design for a surface configuration of a dashboard for a vehicle, as shown and described.

DESCRIPTION

This application is related to the following co-pending applications, of the inventor, filed on even date herewith: Application Ser. No. 29/197,289 entitled “Surface Configuration of a Dashboard for a Vehicle”;

Application Ser. No. 29/197,292 entitled “Surface Configuration of a Center Console for a Vehicle”; and

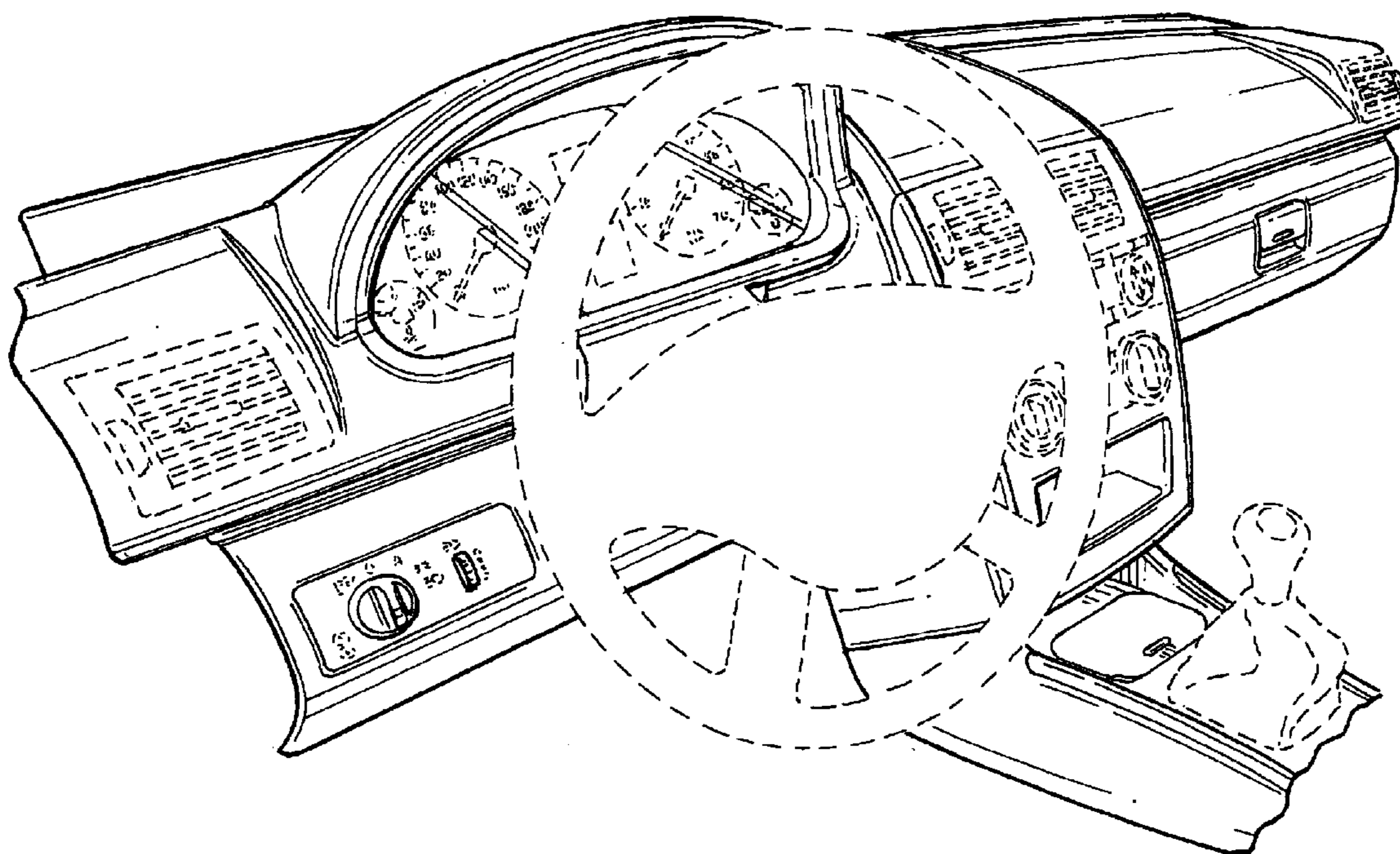
FIG. 1 is a front view of a surface configuration of a dashboard for a vehicle according to my novel design;

FIG. 2 is a left perspective view of the surface configuration of a dashboard for a vehicle according to my novel design; and,

FIG. 3 is a right perspective view of the surface configuration of a dashboard for a vehicle according to my novel design.

The broken lines are for illustrative purposes only and form no part of the claimed design.

1 Claim, 3 Drawing Sheets



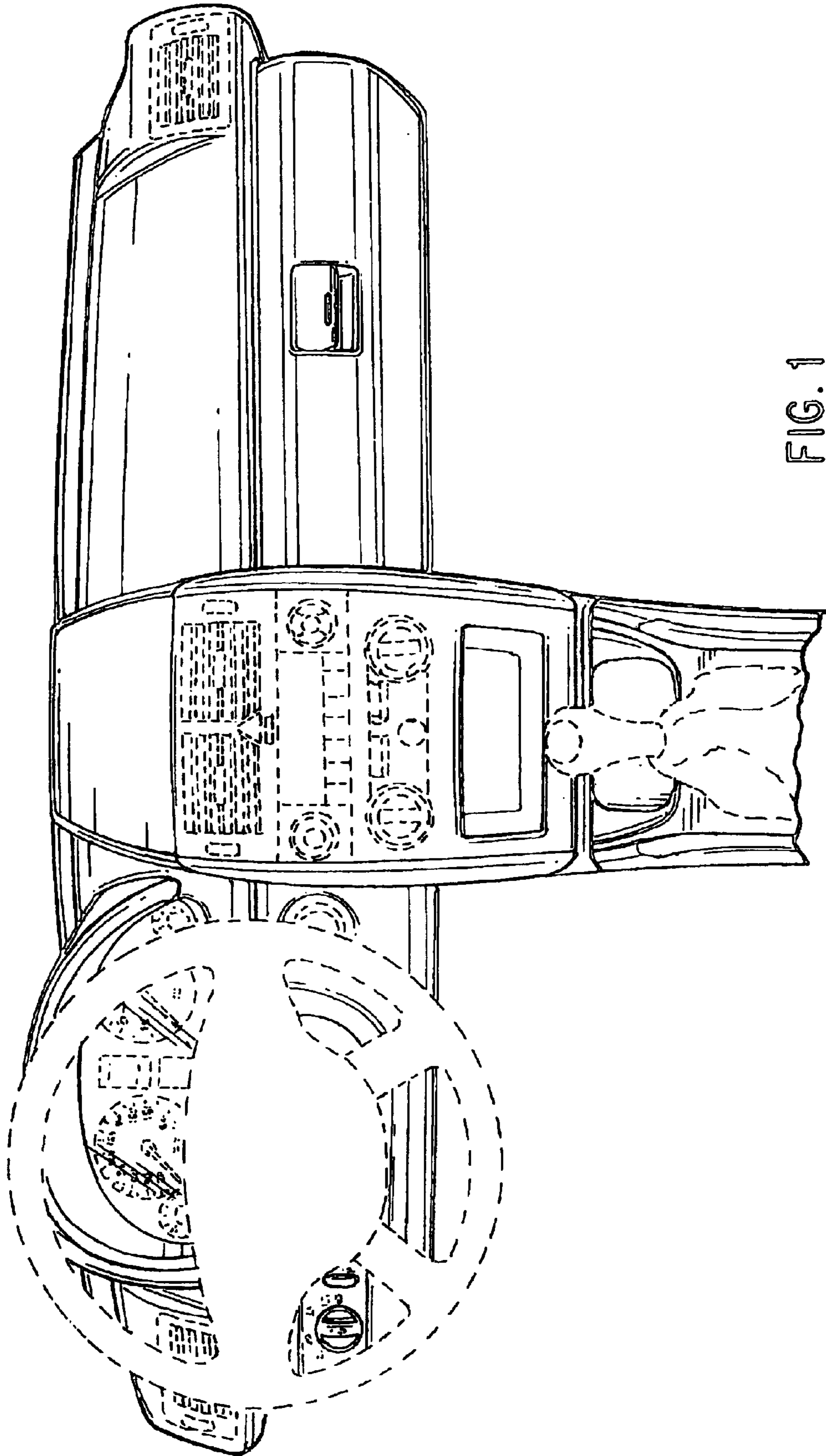


FIG. 1

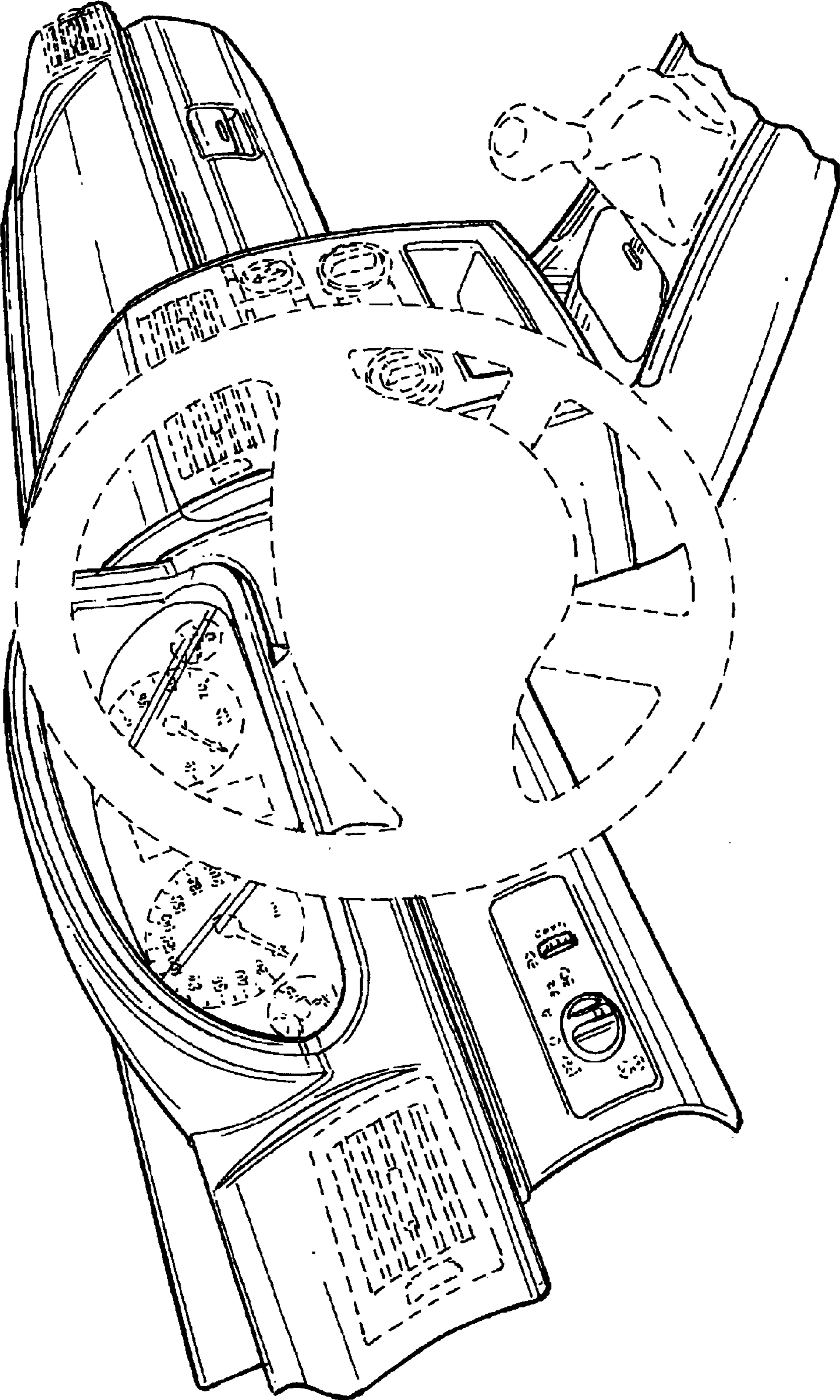


FIG. 2

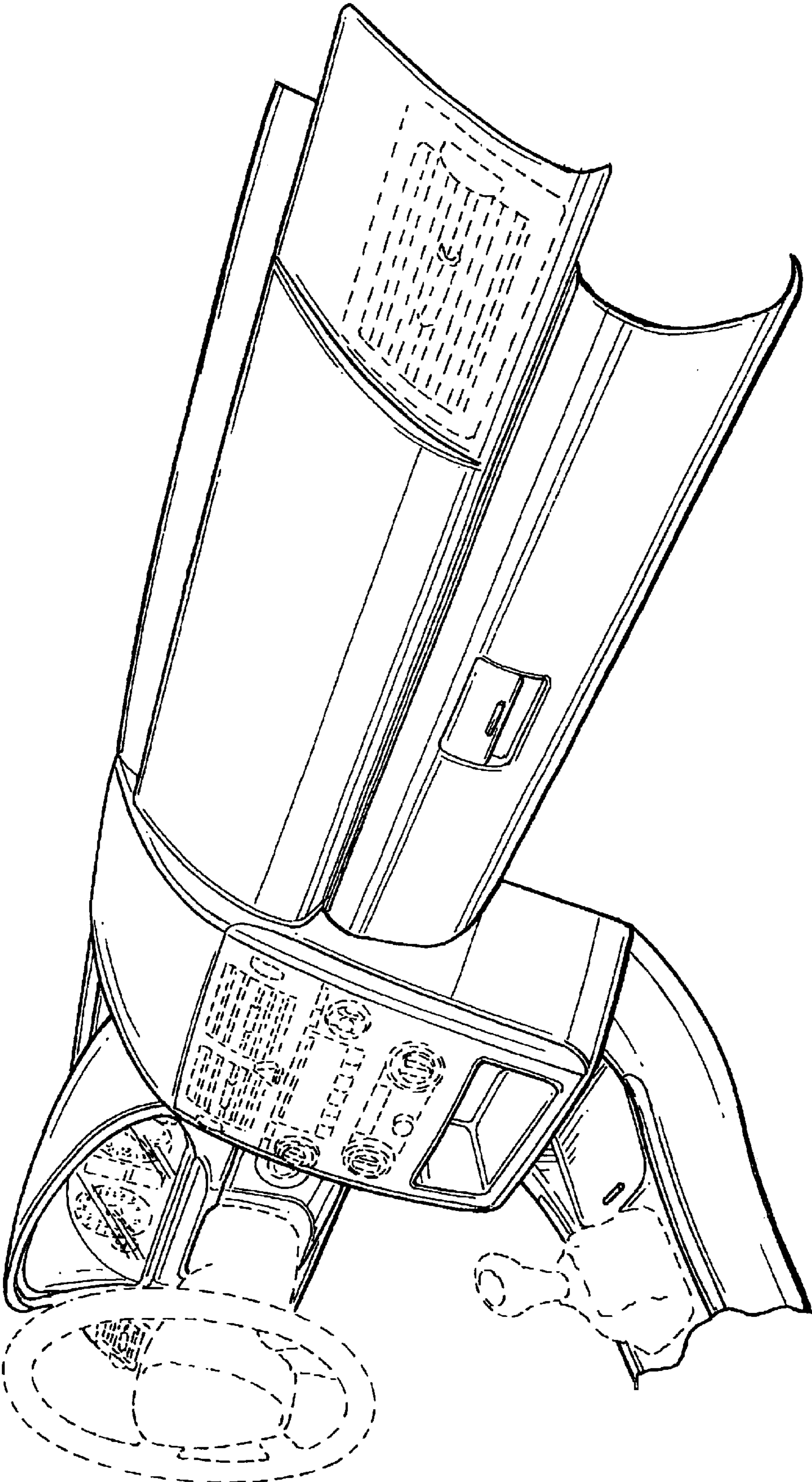


FIG. 3