



US00D494894S1

(12) **United States Design Patent**
Carlson

(10) **Patent No.:** **US D494,894 S**

(45) **Date of Patent:** **** Aug. 24, 2004**

(54) **CASTER CAMBER PLATE**

D422,253 S * 4/2000 Boykin D12/180
6,485,223 B1 * 11/2002 Van Schmus et al. ... 403/408.1
6,588,776 B1 * 7/2003 Irwin 280/86.751
6,659,479 B1 * 12/2003 Raidel et al. 280/86.75

(75) **Inventor:** **Andrew D. Carlson**, Boca Raton, FL
(US)

(73) **Assignee:** **Steeda Autosports, Inc.**, Pompano
Beach, FL (US)

(**) **Term:** **14 Years**

* cited by examiner

Primary Examiner—Robert M. Spear

(74) *Attorney, Agent, or Firm*—McHale & Slavin, P.A.

(21) **Appl. No.:** **29/193,180**

(22) **Filed:** **Nov. 5, 2003**

(57) **CLAIM**

The ornamental design for a caster camber plate, as shown and described.

(51) **LOC (7) Cl.** **12-16**

(52) **U.S. Cl.** **D12/160**

(58) **Field of Search** D12/159, 160,
D12/400; 280/86.75, 86.751, 86.752, 124.147,
124.155; 403/408.1

DESCRIPTION

FIG. 1 is a top plane view of the caster camber plate of the instant invention;

FIG. 2 is a side plane view thereof;

FIG. 3 is a bottom side plane view thereof;

FIG. 4 is a back plane view thereof;

FIG. 5 is a top isometric view thereof; and,

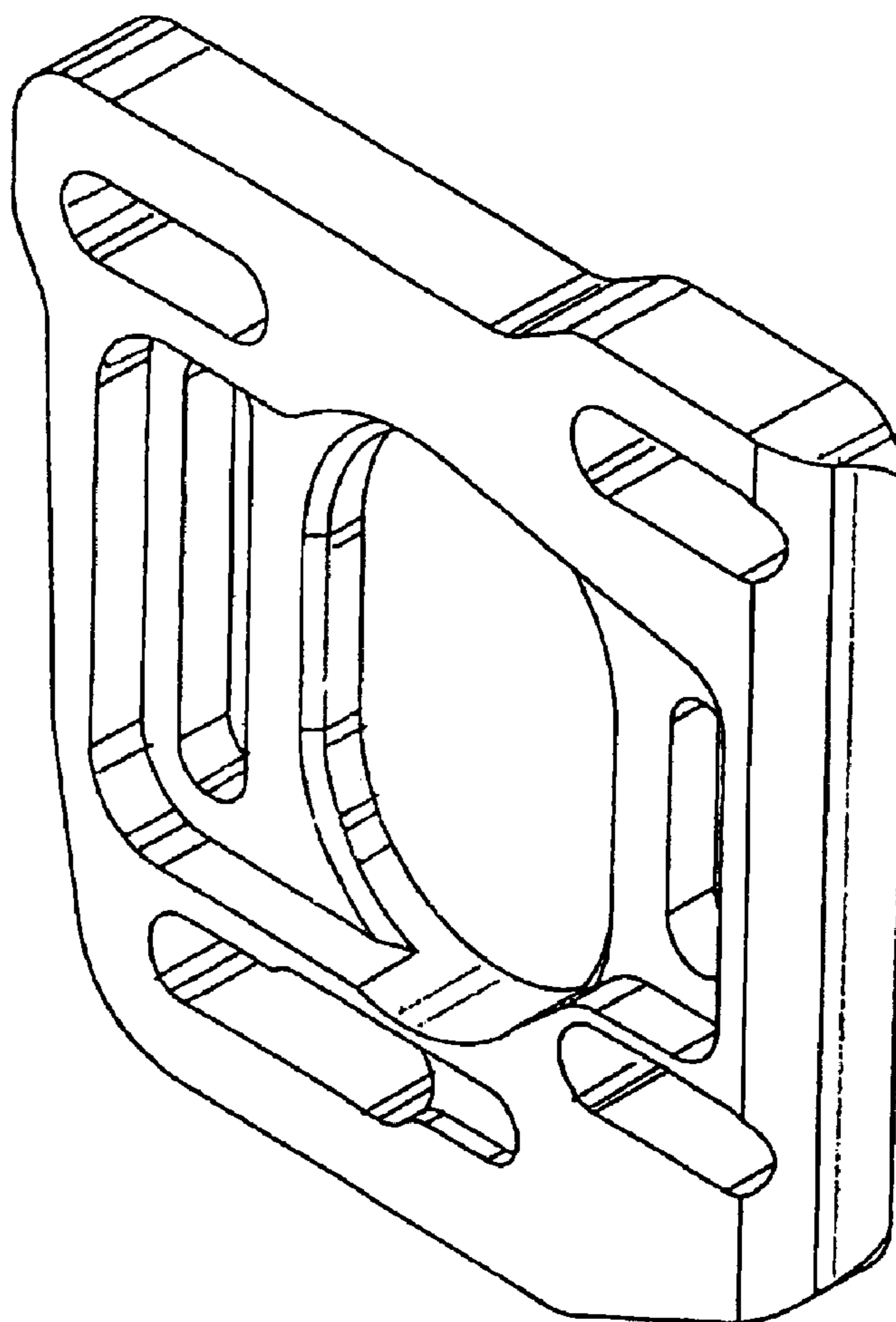
FIG. 6 is a bottom isometric view.

(56) **References Cited**

U.S. PATENT DOCUMENTS

4,267,896 A * 5/1981 Hendriksen 280/86.75
4,867,473 A * 9/1989 Jordan 280/86.752

1 Claim, 6 Drawing Sheets



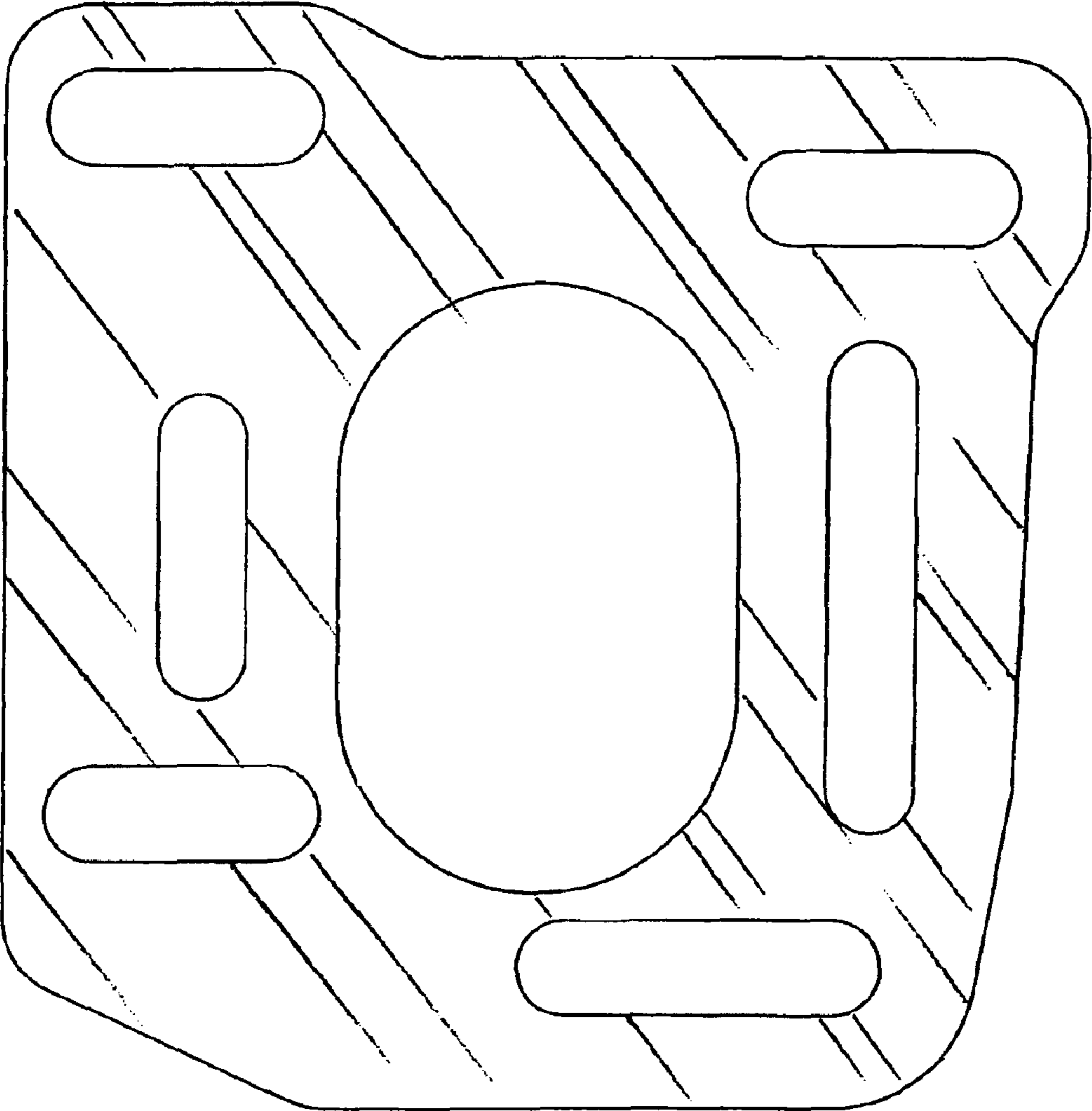


Fig. 1

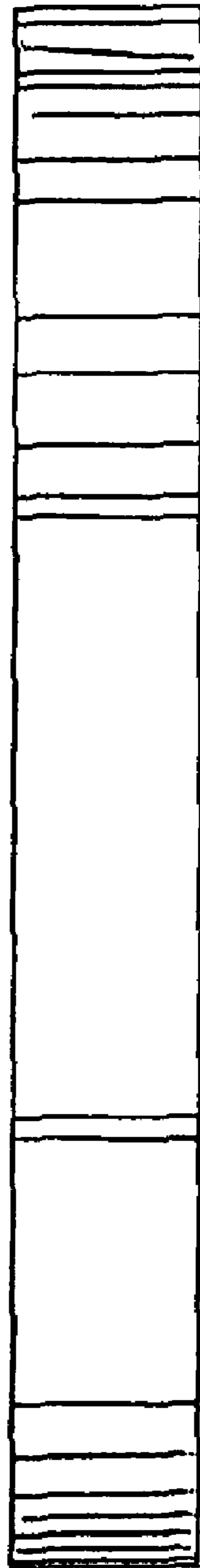


Fig. 2

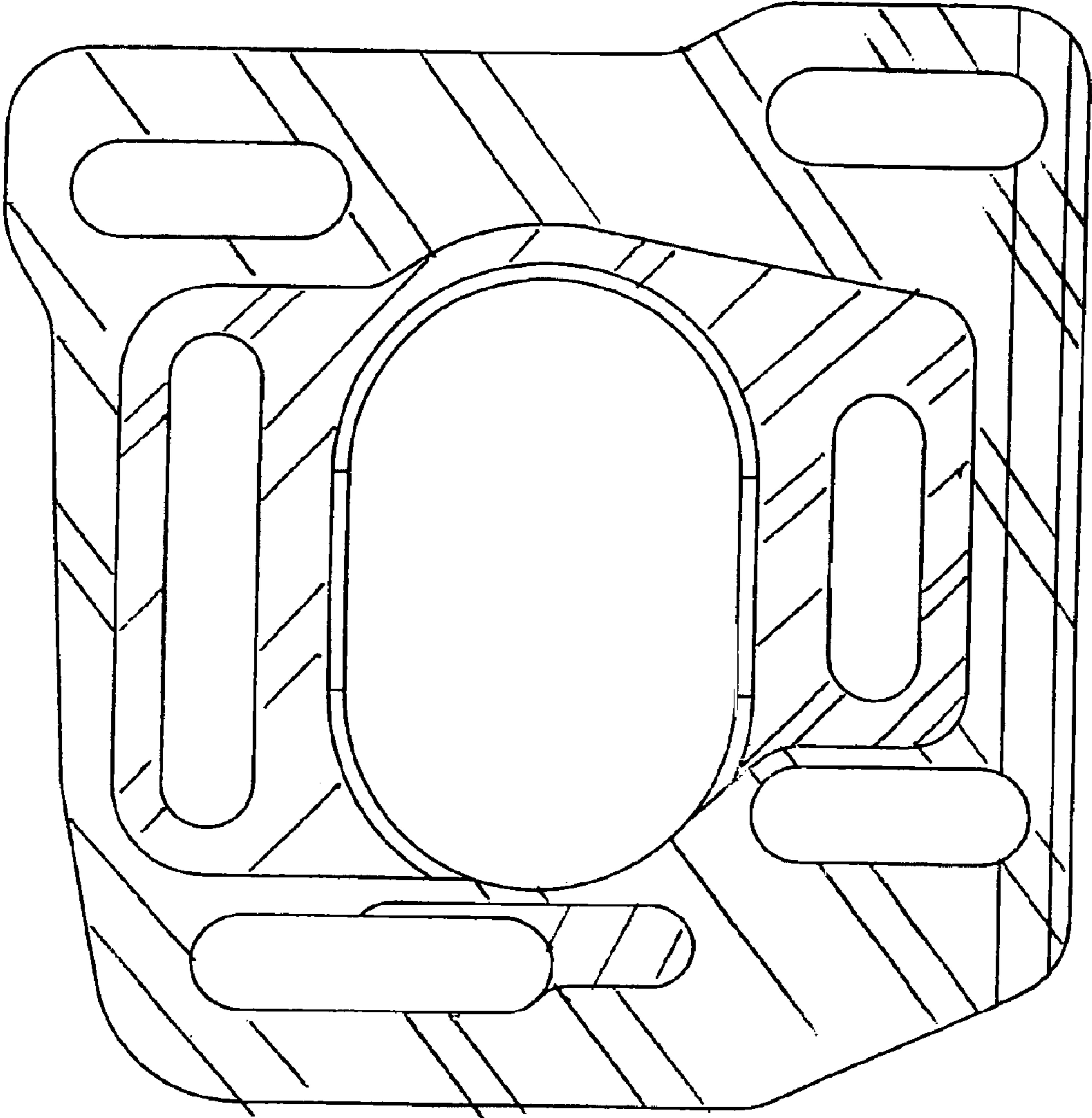


Fig. 3



Fig. 4

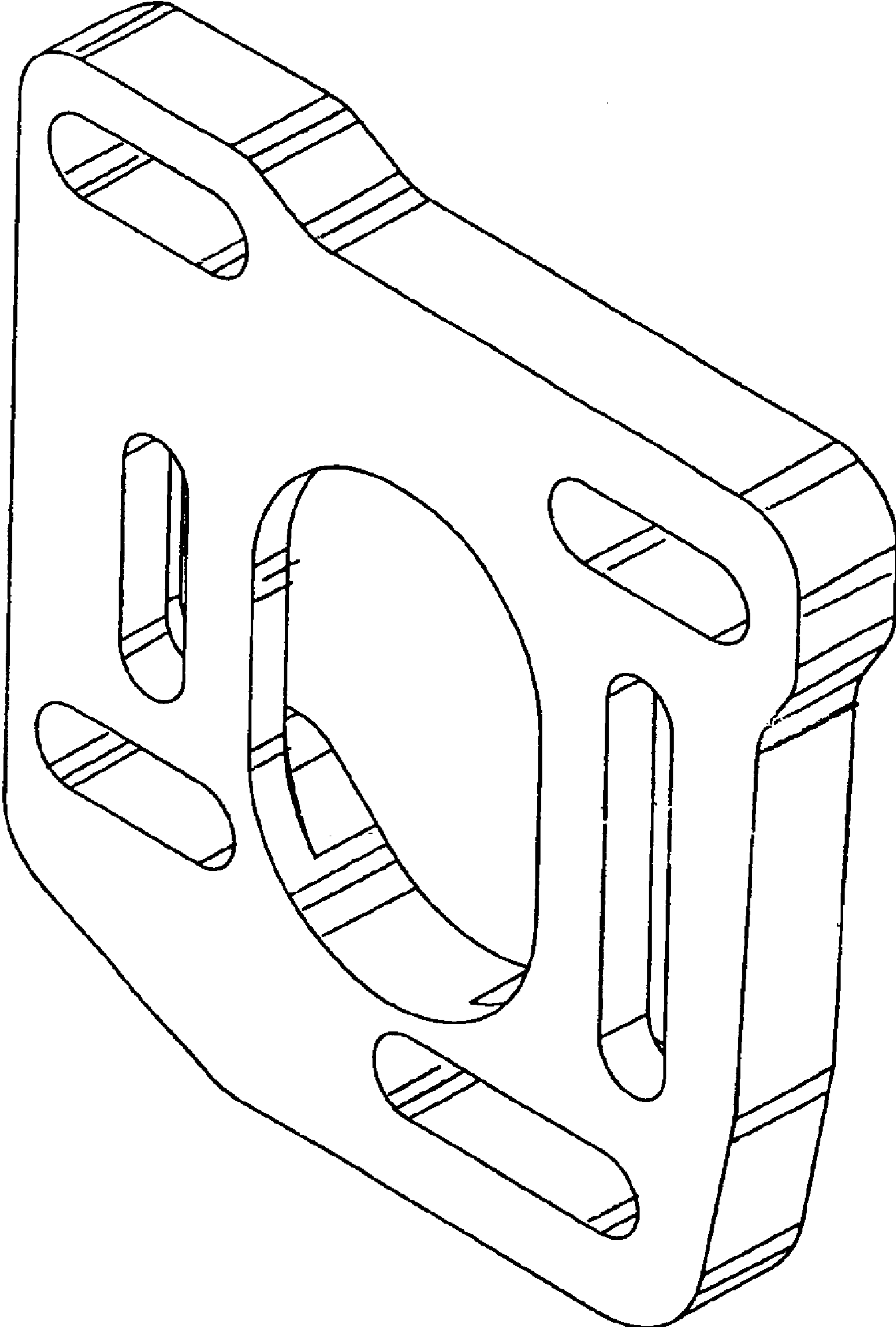


Fig. 5

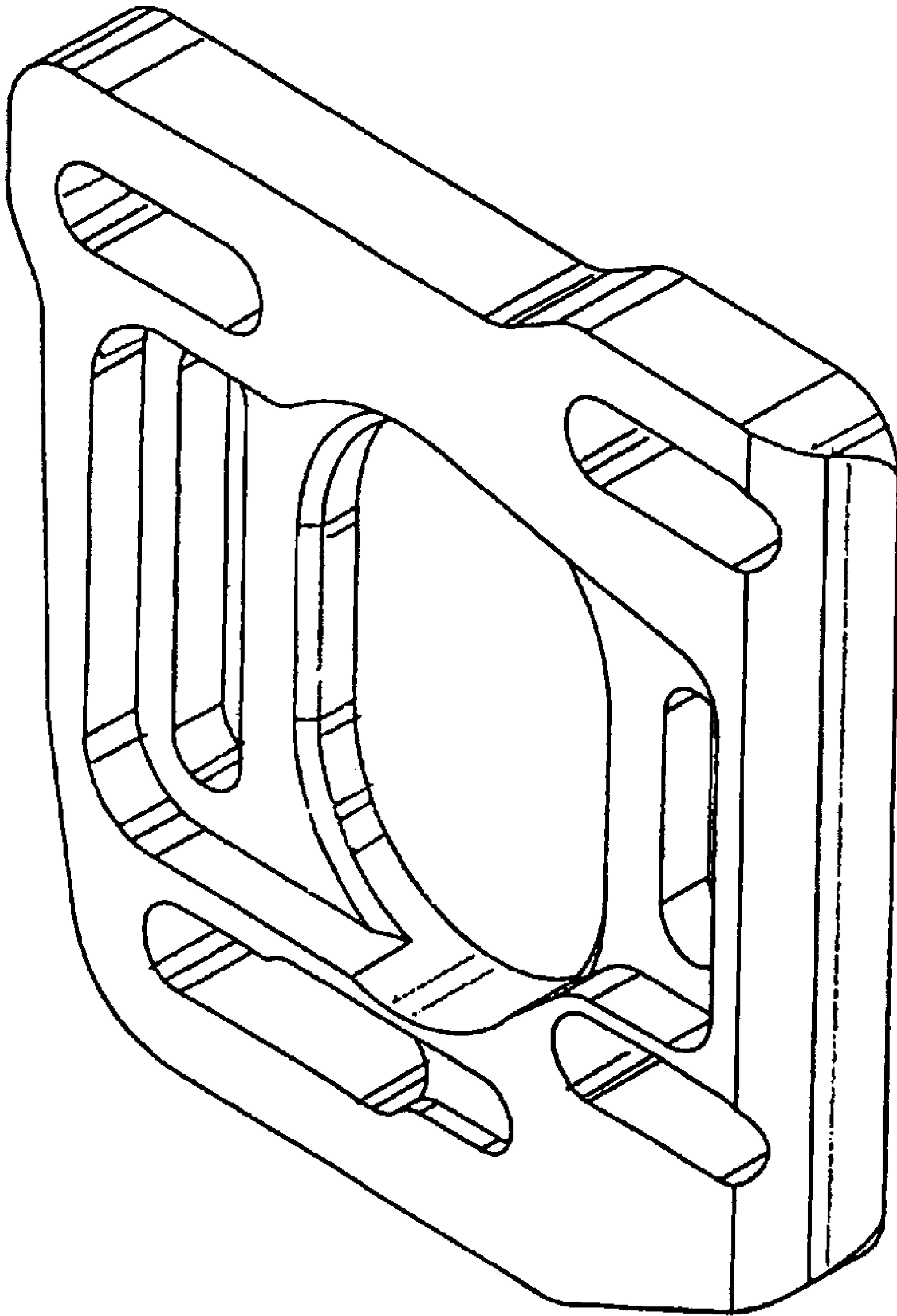


Fig. 6