

US00D494893S1

(12) **United States Design Patent**
Shiau

(10) **Patent No.:** **US D494,893 S**

(45) **Date of Patent:** **** Aug. 24, 2004**

(54) **BICYCLE**

(75) **Inventor:** **Daniel Shiau, Tainan (TW)**

(73) **Assignee:** **Giant Manufacturing Co., Ltd.,
Taichung Hsien (TW)**

(**) **Term:** **14 Years**

(21) **Appl. No.:** **29/188,352**

(22) **Filed:** **Aug. 19, 2003**

(51) **LOC (7) Cl. 12-11**

(52) **U.S. Cl. D12/111**

(58) **Field of Search D12/111; 280/267,
280/274, 275, 283, 281.1, 288.1, 288.3**

(56) **References Cited**

U.S. PATENT DOCUMENTS

D393,235 S	*	4/1998	Ullman et al.	D12/111
D421,936 S	*	3/2000	Hong	D12/111
6,527,291 B1	*	3/2003	Hurtig	280/288.1

* cited by examiner

Primary Examiner—Alan P. Douglas

Assistant Examiner—Linda Brooks

(74) *Attorney, Agent, or Firm*—Harness, Dickey & Pierce,
P.L.C.

(57) **CLAIM**

The ornamental design for a bicycle, as shown and described.

DESCRIPTION

FIG. 1 is a perspective view of a bicycle showing my new design;

FIG. 2 is a front elevational view thereof;

FIG. 3 is a rear elevational view thereof;

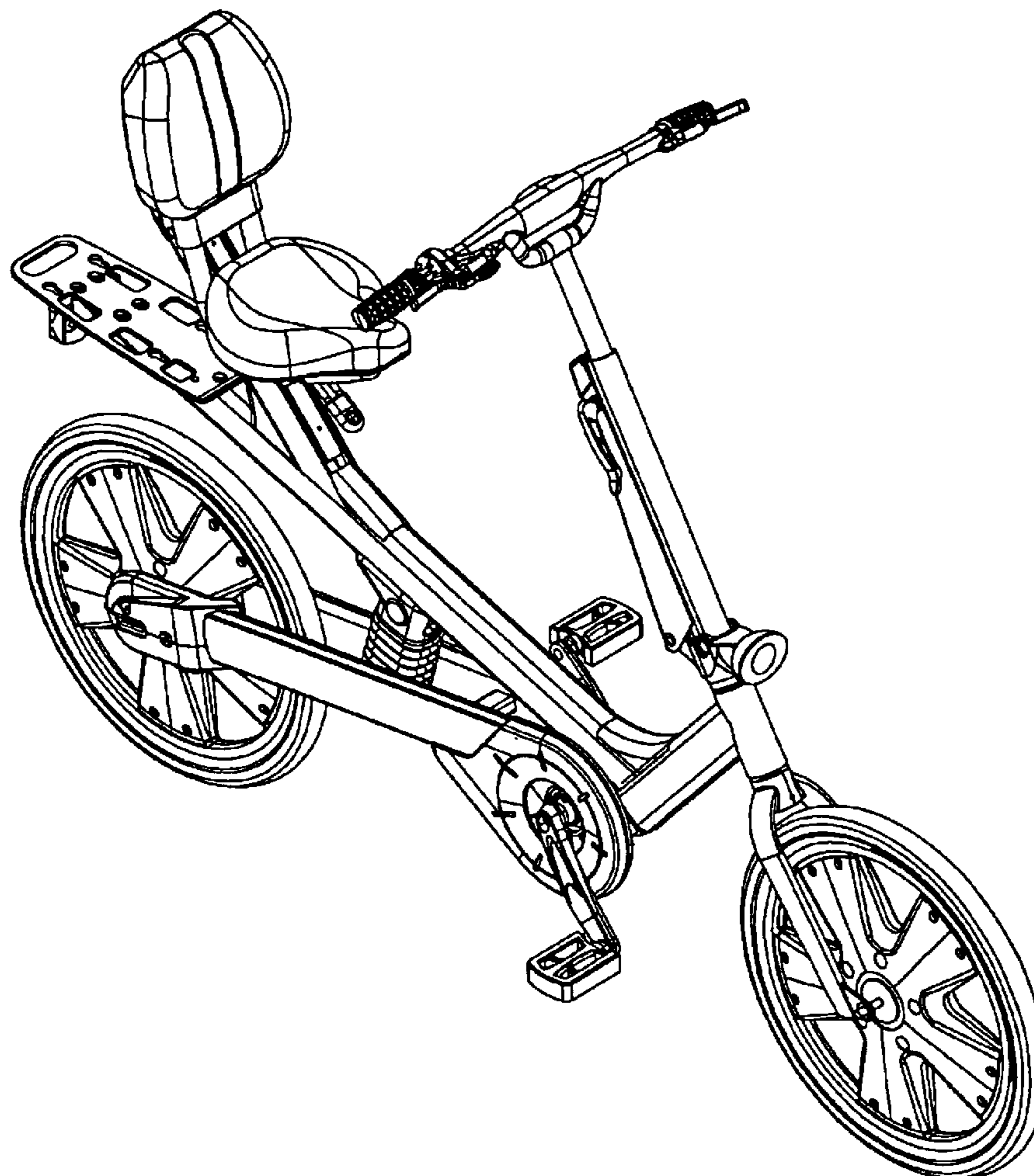
FIG. 4 is a left side elevational view thereof;

FIG. 5 is a right side elevational view thereof;

FIG. 6 is a top plan view thereof; and,

FIG. 7 is a bottom plan view thereof.

1 Claim, 7 Drawing Sheets



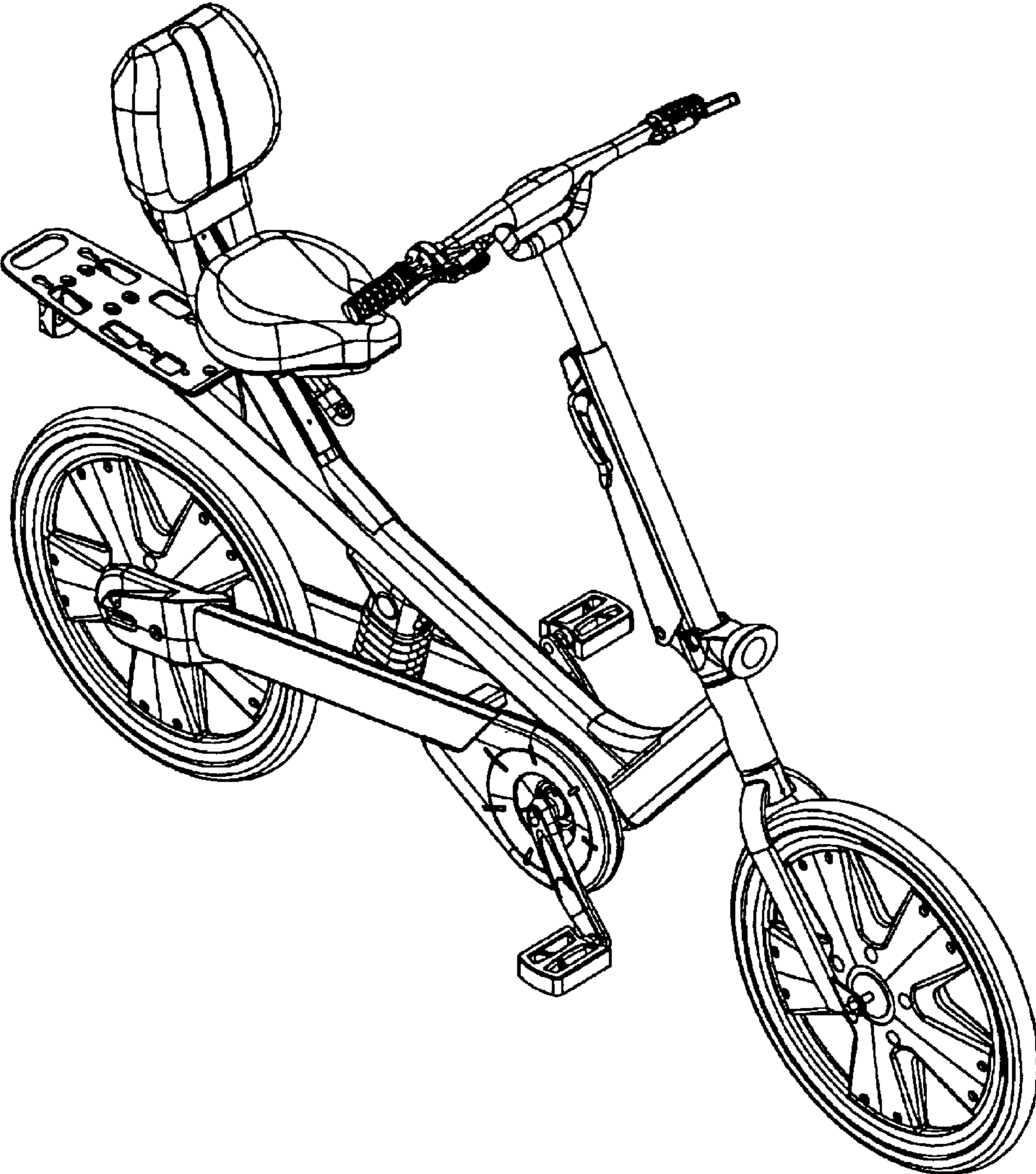


FIG. 1

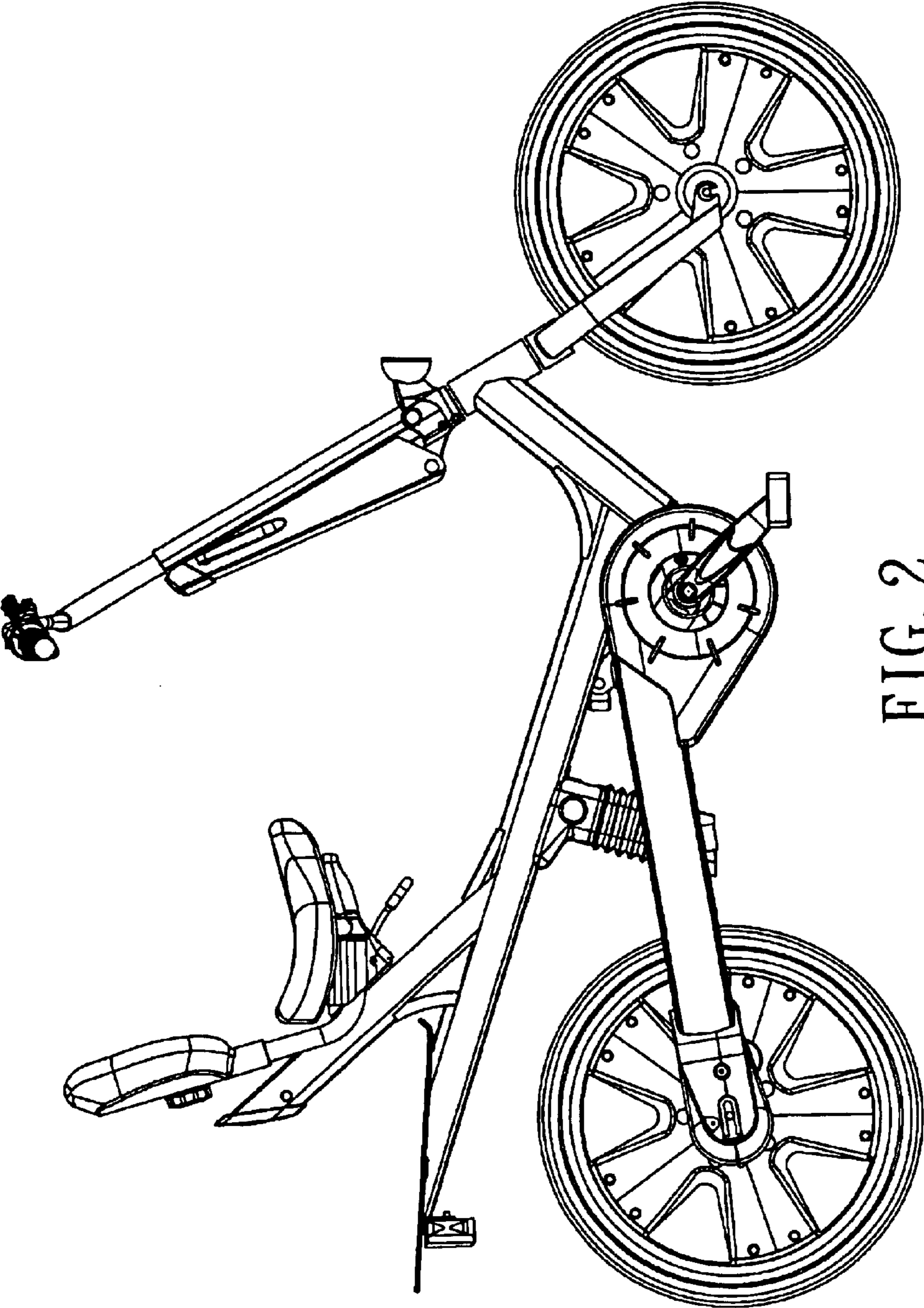


FIG. 2

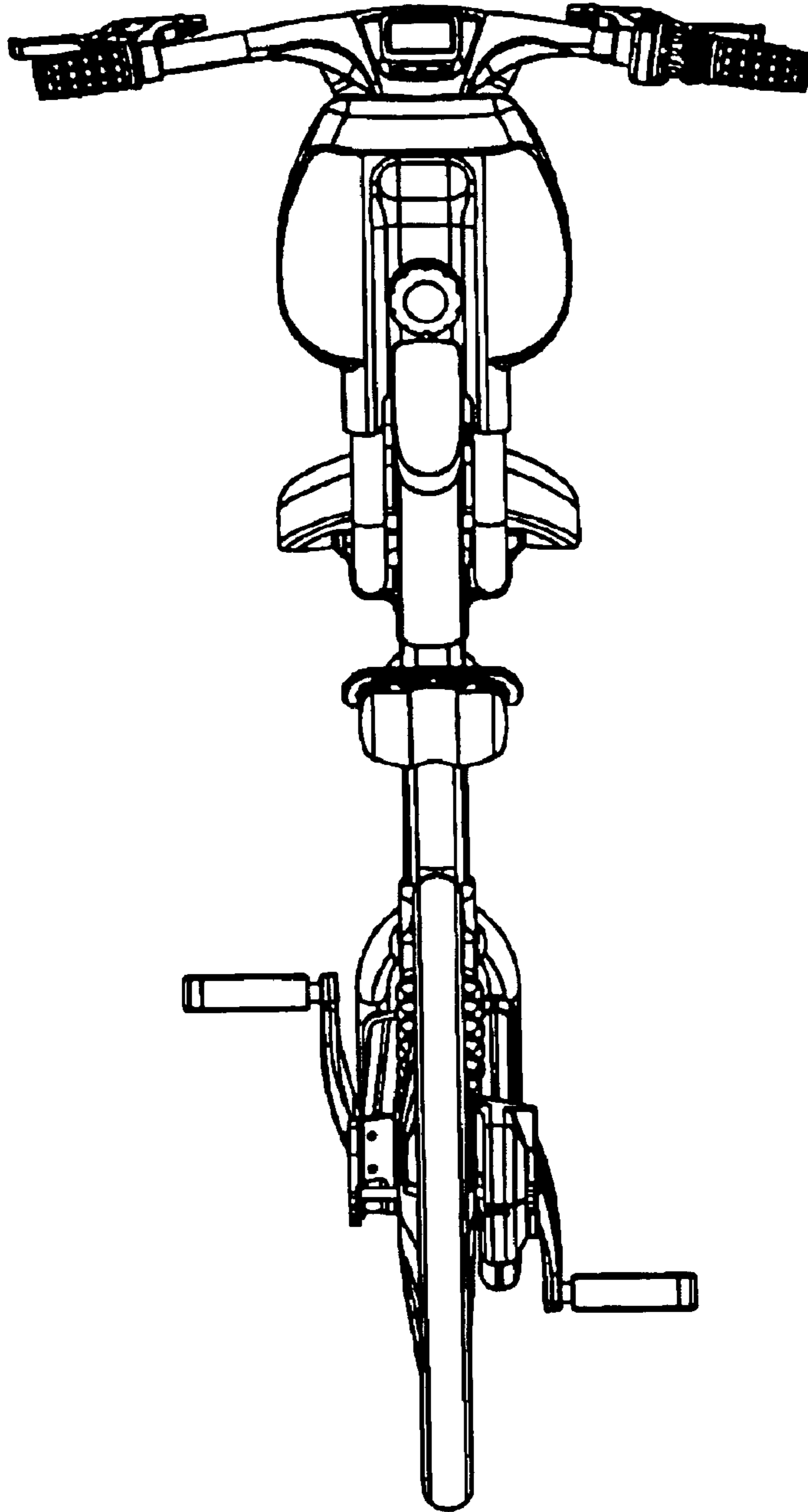


FIG. 4

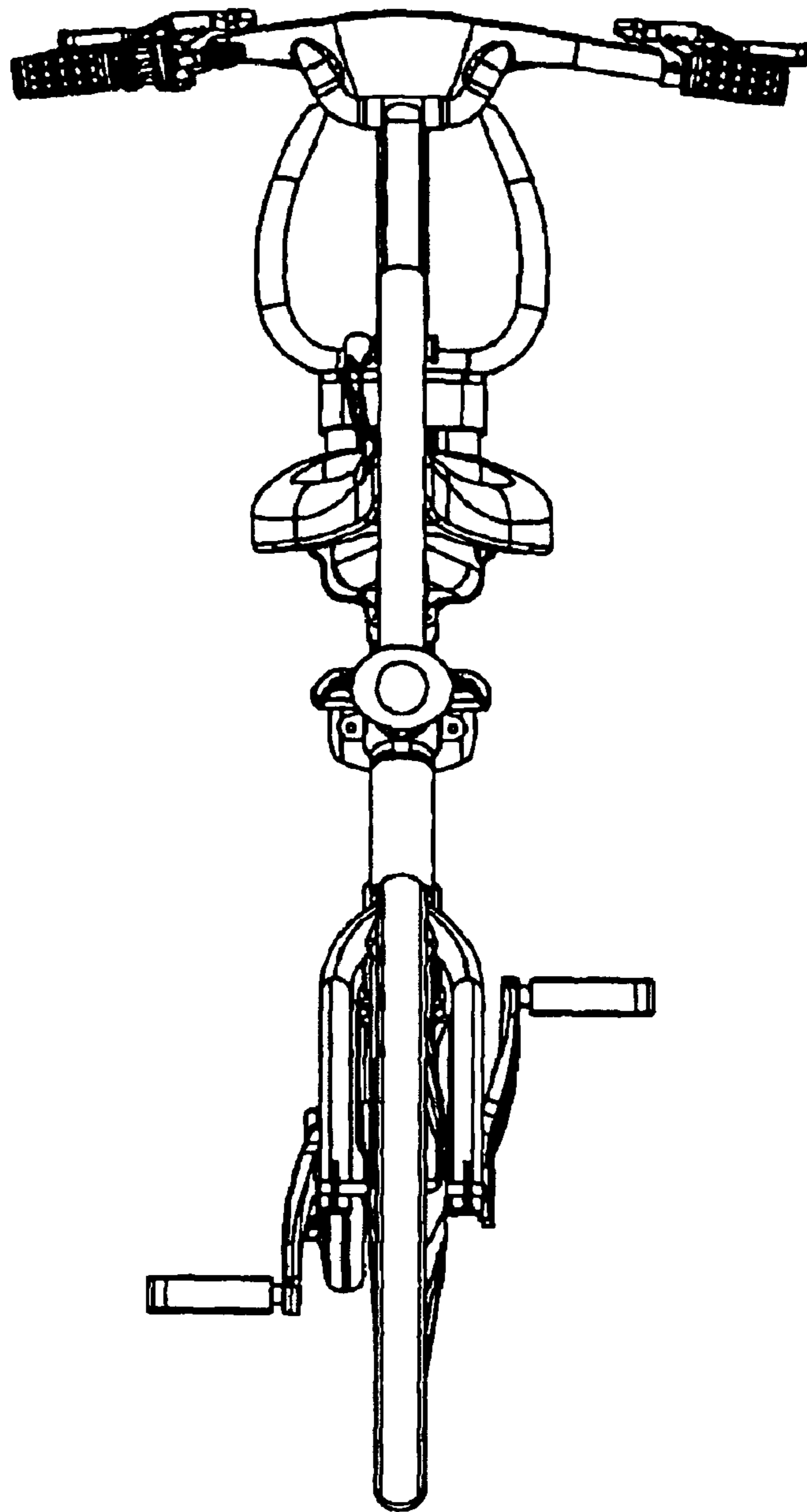


FIG. 5

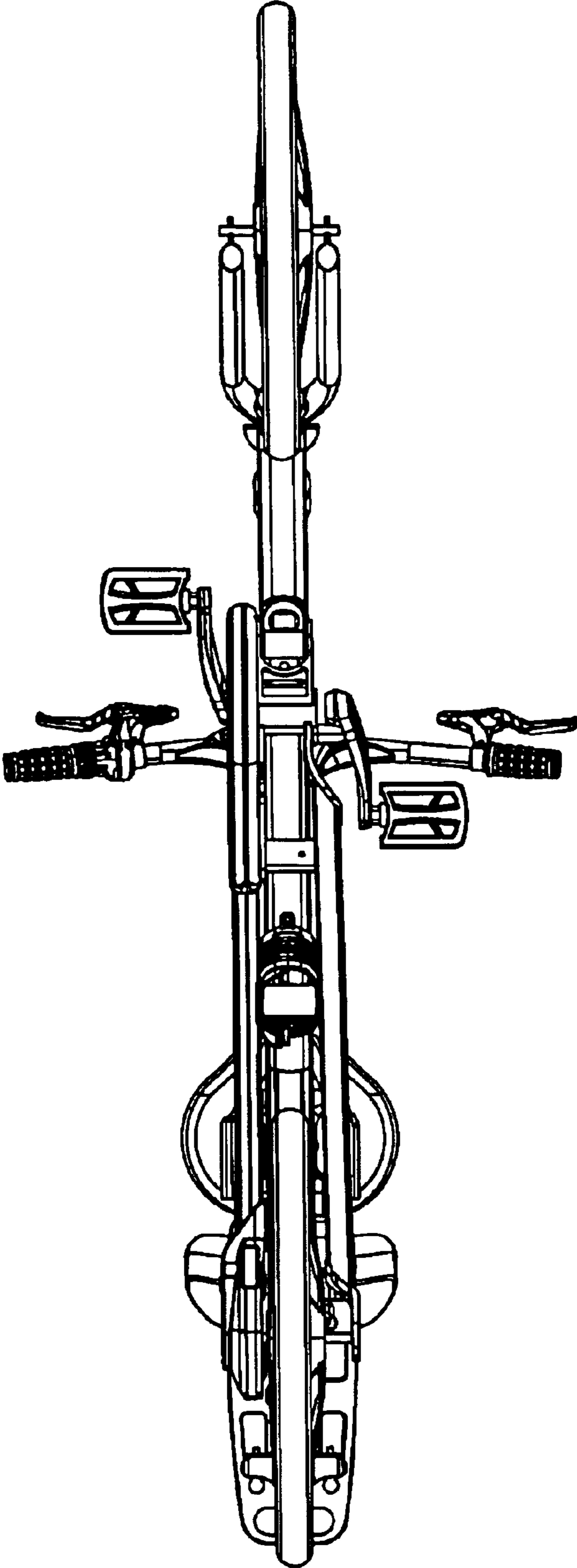


FIG. 7