

US00D494890S1

(12) **United States Design Patent** (10) **Patent No.:** **US D494,890 S**
Katoh (45) **Date of Patent:** **** Aug. 24, 2004**

(54) **HOOD PORTION OF A UTILITY VEHICLE**

(75) Inventor: **Hisato Katoh, Sakai (JP)**

(73) Assignee: **Kubota Corporation, Osaka (JP)**

(**) Term: **14 Years**

(21) Appl. No.: **29/188,092**

(22) Filed: **Aug. 12, 2003**

(30) **Foreign Application Priority Data**

Feb. 19, 2003 (JP) 2003-003907

(51) **LOC (7) Cl.** **12-13**

(52) **U.S. Cl.** **D12/14; D12/16**

(58) **Field of Search** **D12/1, 3, 14-16, D12/96-98; 180/89.1, 908, 233; 280/DIG. 5; 296/183-186**

(56) **References Cited**

U.S. PATENT DOCUMENTS

D292,899 S * 11/1987 Samuelson et al. D12/16
D332,239 S * 1/1993 Hirata et al. D12/1
D342,699 S * 12/1993 Miyamoto et al. D12/1
D342,701 S * 12/1993 Murata et al. D12/107
D364,590 S * 11/1995 Yamashita D12/15
D422,938 S * 4/2000 Molzon et al. D12/1
D427,109 S * 6/2000 Molzon et al. D12/1
D433,651 S * 11/2000 Matsumura et al. D12/1
D436,557 S * 1/2001 Selby et al. D12/14
D439,548 S * 3/2001 Kouchi et al. D12/1
D455,066 S * 4/2002 Kolinen D8/373

* cited by examiner

Primary Examiner—Nelson C. Holtje

(74) *Attorney, Agent, or Firm*—Webb Ziesenheim Logsdon Orkin & Hanson, P.C.

(57) **CLAIM**

The ornamental design for the hood portion of a utility vehicle, as shown and described.

DESCRIPTION

FIG. 1 is a right side view of the hood portion of a utility vehicle in accordance with the present invention;

FIG. 2 is a left side view of the hood portion of a utility vehicle shown in FIG. 1;

FIG. 3 is a rear view of the hood portion of a utility vehicle shown in FIG. 1;

FIG. 4 is a front view of the hood portion of a utility vehicle shown in FIG. 1;

FIG. 5 is a top plan view of the hood portion of a utility vehicle shown in FIG. 1;

FIG. 6 is a front view of the hood portion of a utility vehicle shown in FIG. 1;

FIG. 7 is a front perspective view of the hood portion of a utility vehicle shown in FIG. 1;

FIG. 8 is a rear perspective view the hood portion of a utility vehicle shown in FIG. 1

FIG. 9 is a perspective view taken on line A—A of FIG. 1;

FIG. 10 is a perspective view taken on line A—A and B—B of FIG. 1; and,

FIG. 11 is a perspective view taken on line C—C of FIG. 4.

1 Claim, 6 Drawing Sheets



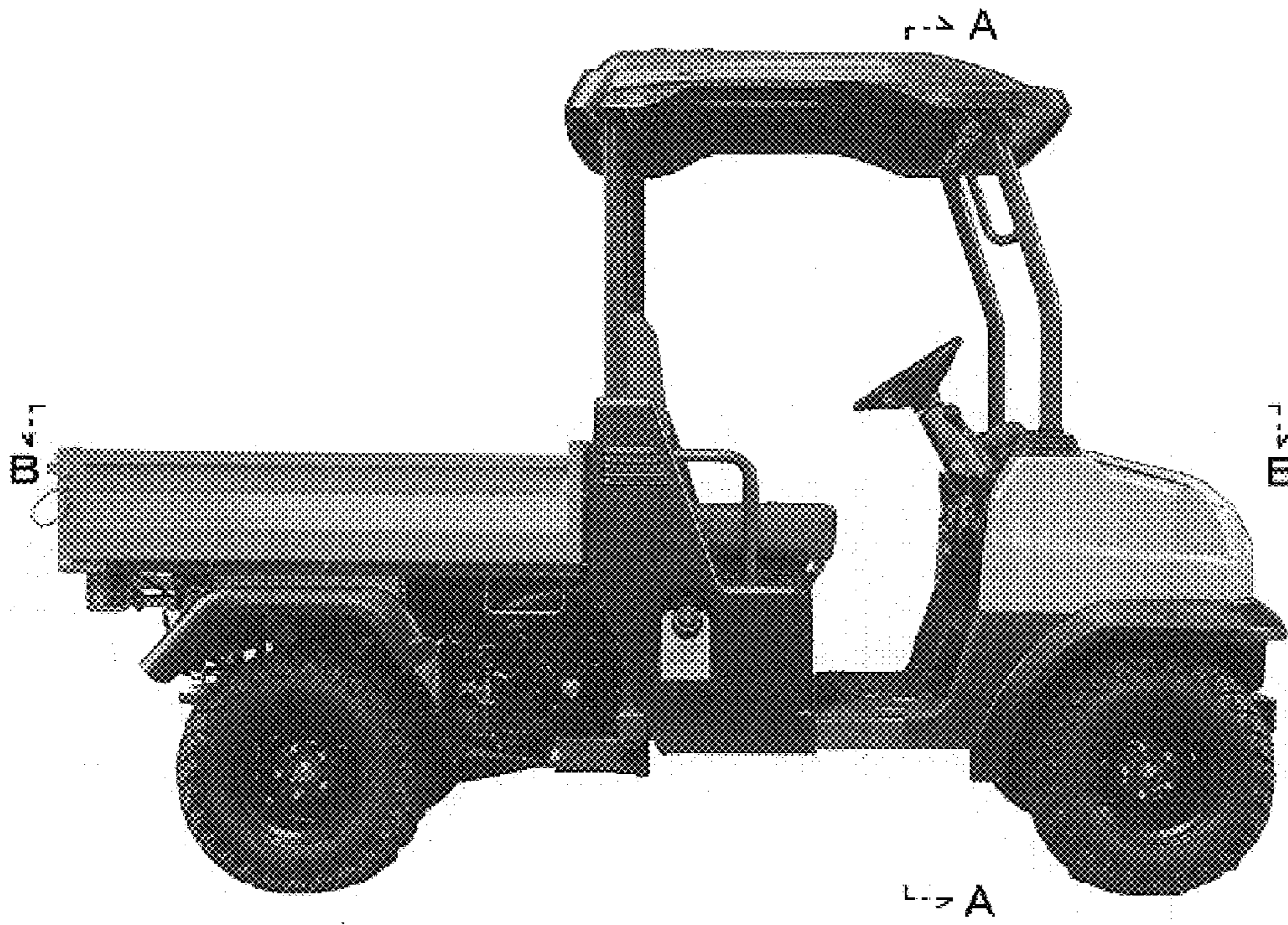


Fig. 1



Fig. 2

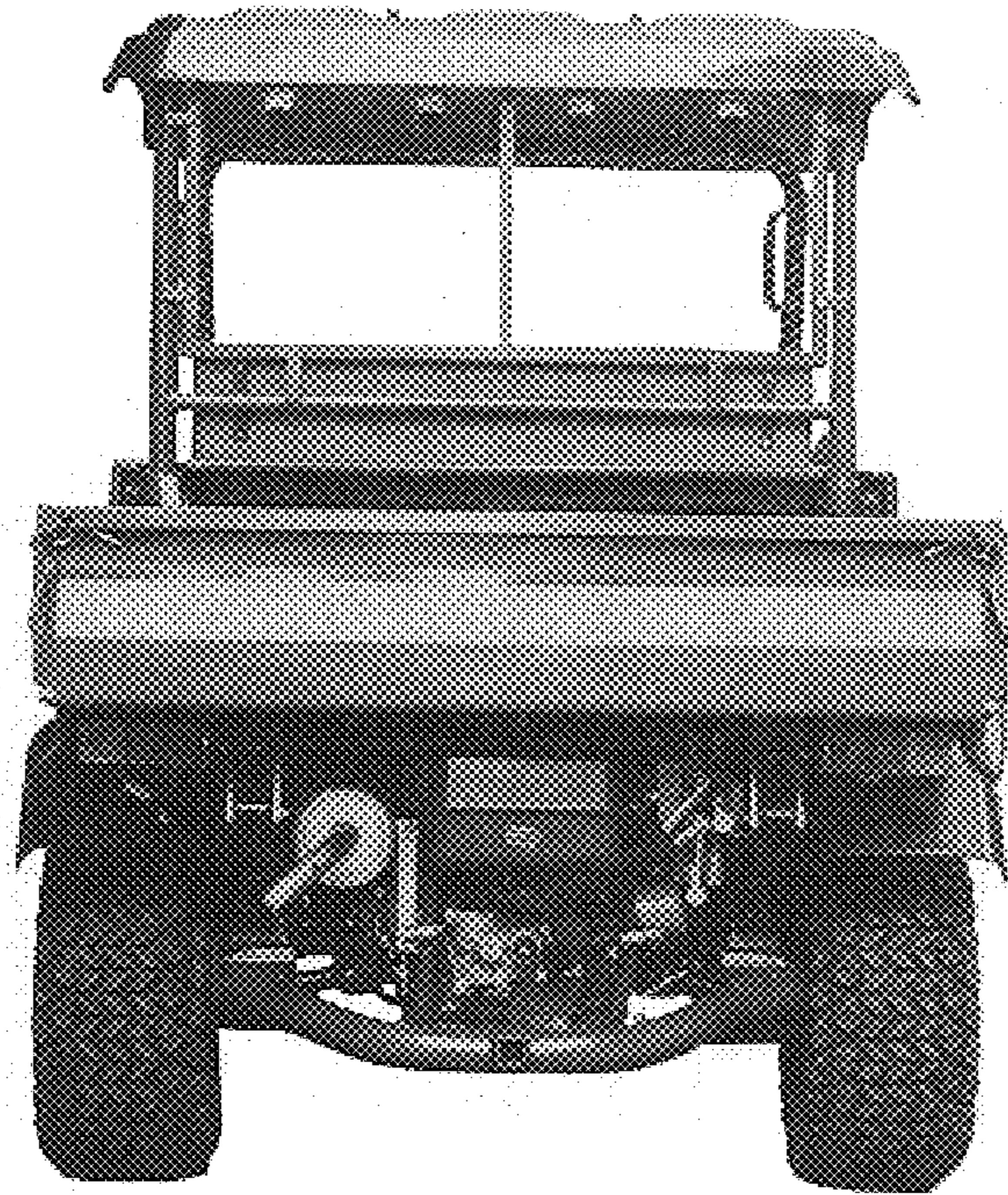


Fig. 3

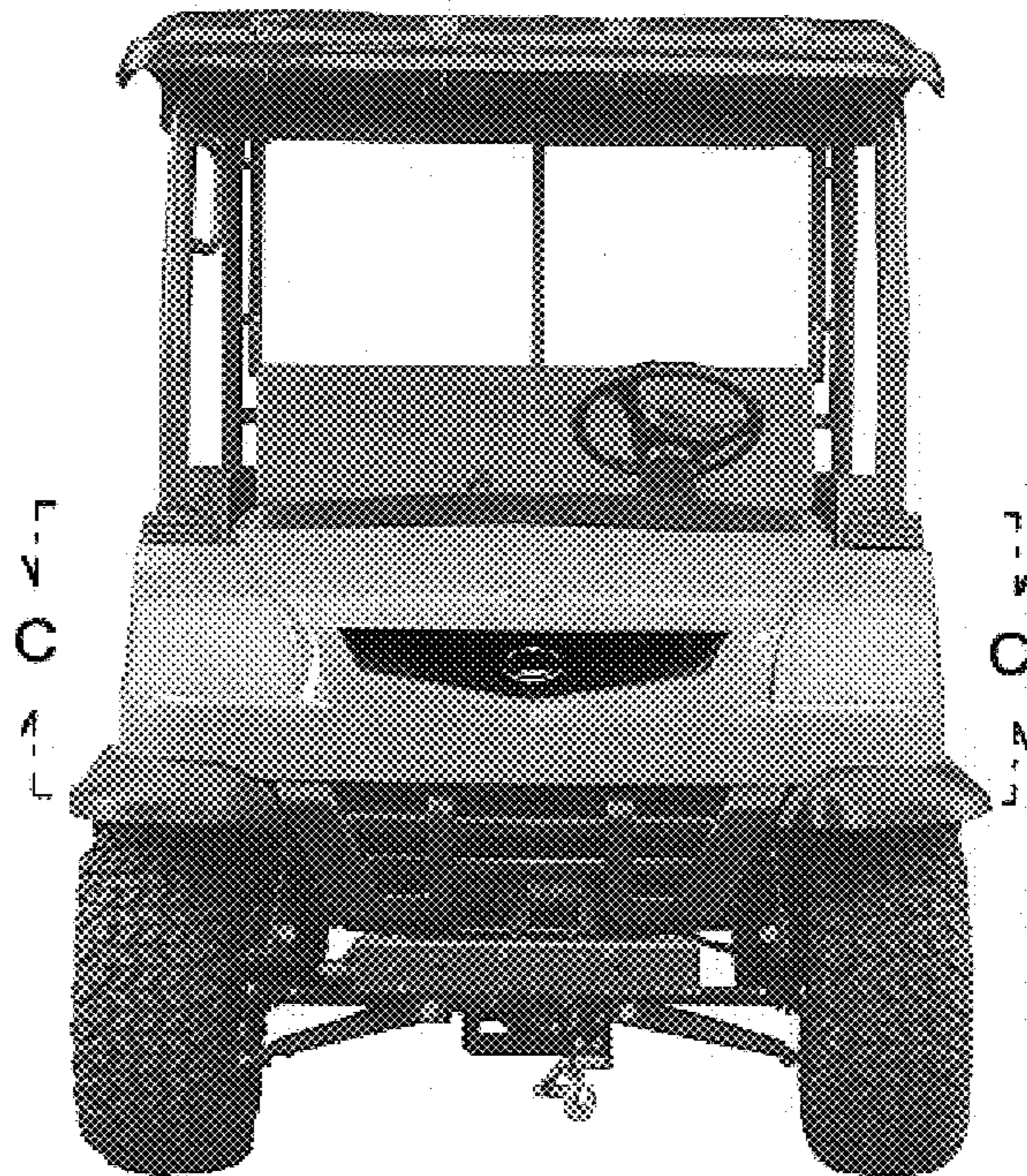


Fig. 4



Fig. 5

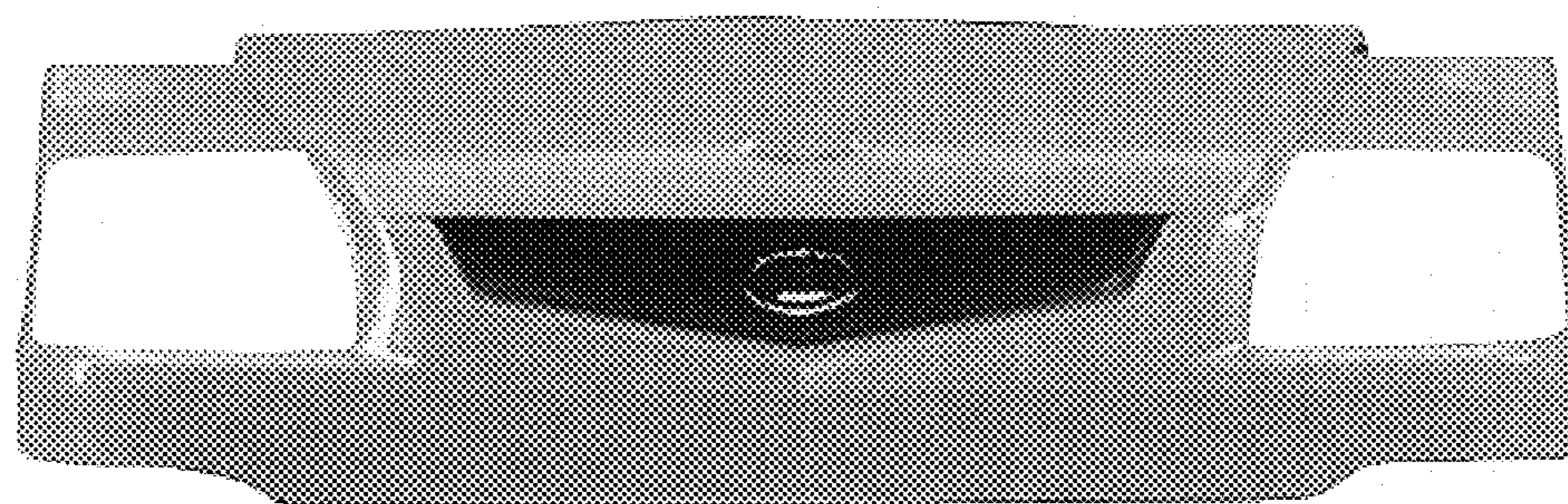


Fig. 6



Fig. 7



Fig. 8

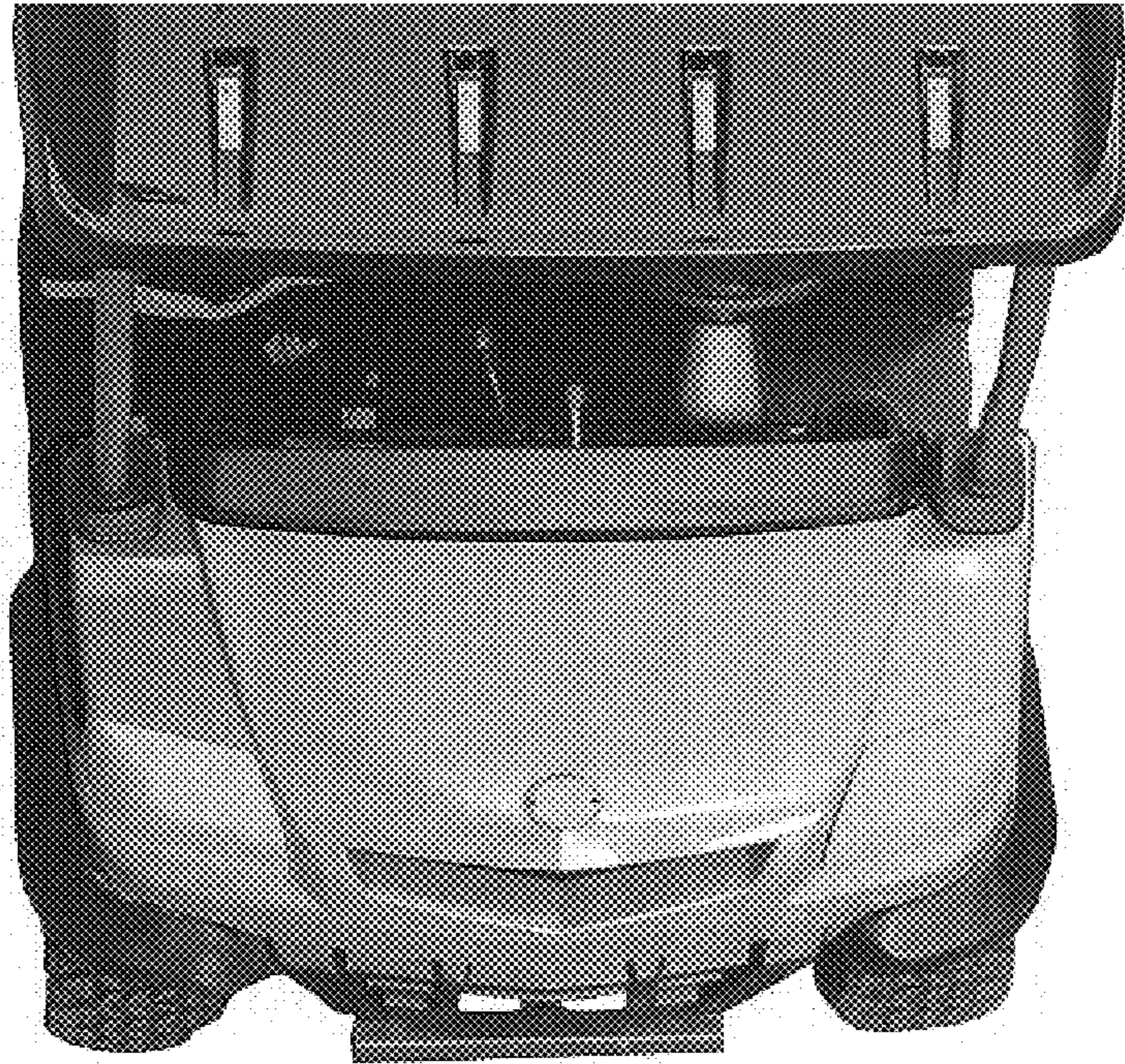


Fig. 9



Fig. 10

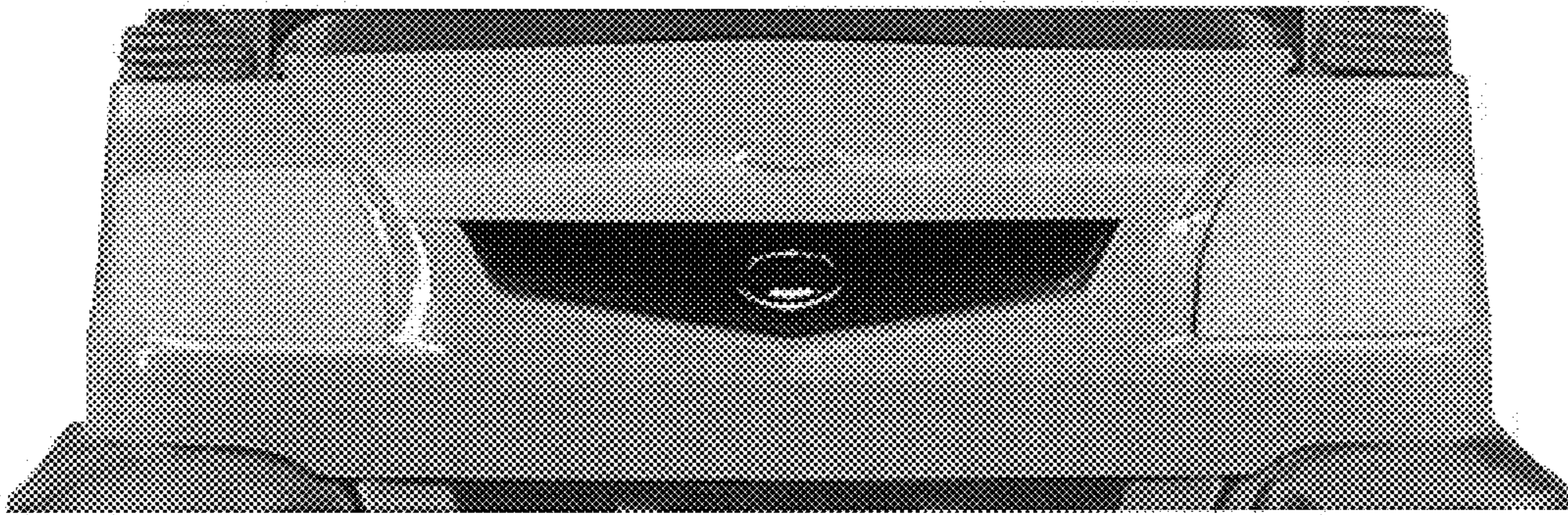


Fig. 11