

US00D494879S1

(12) **United States Design Patent**
Andrews

(10) **Patent No.:** **US D494,879 S**

(45) **Date of Patent:** **** Aug. 24, 2004**

(54) **GAS DETECTOR**

(75) **Inventor:** **Ian Paul Andrews, Hampshire (GB)**

(73) **Assignee:** **City Technology Limited, Portsmouth (GB)**

(**) **Term:** **14 Years**

(21) **Appl. No.:** **29/185,156**

(22) **Filed:** **Jun. 23, 2003**

(51) **LOC (7) Cl.** **10-04**

(52) **U.S. Cl.** **D10/81**

(58) **Field of Search** D10/81; 356/437;
422/94; 73/23.2, 31.5, 431, 866.5, 23.4,
29.04, 29.05

(56) **References Cited**

U.S. PATENT DOCUMENTS

D350,300 S * 9/1994 Browning et al. D10/106
D365,528 S * 12/1995 Shibuya D10/81

6,568,244 B2 * 5/2003 Binz et al. 73/23.2
6,606,897 B1 * 8/2003 Koyano et al. 73/23.2
6,655,223 B2 * 12/2003 March et al. 73/866.5
6,687,005 B2 * 2/2004 Kim 356/437

* cited by examiner

Primary Examiner—Antoine D. Davis

(74) *Attorney, Agent, or Firm*—Steptoe & Johnson LLP

(57) **CLAIM**

The ornamental design for a gas detector, as shown and described.

DESCRIPTION

FIG. 1 is an underneath front plan view of a gas detector showing my new design;

FIG. 2 is a top plan view thereof;

FIG. 3 is a front end view thereof;

FIG. 4 is a rear end view thereof;

FIG. 5 is a right side view thereof; and,

FIG. 6 is a left side view thereof.

1 Claim, 3 Drawing Sheets

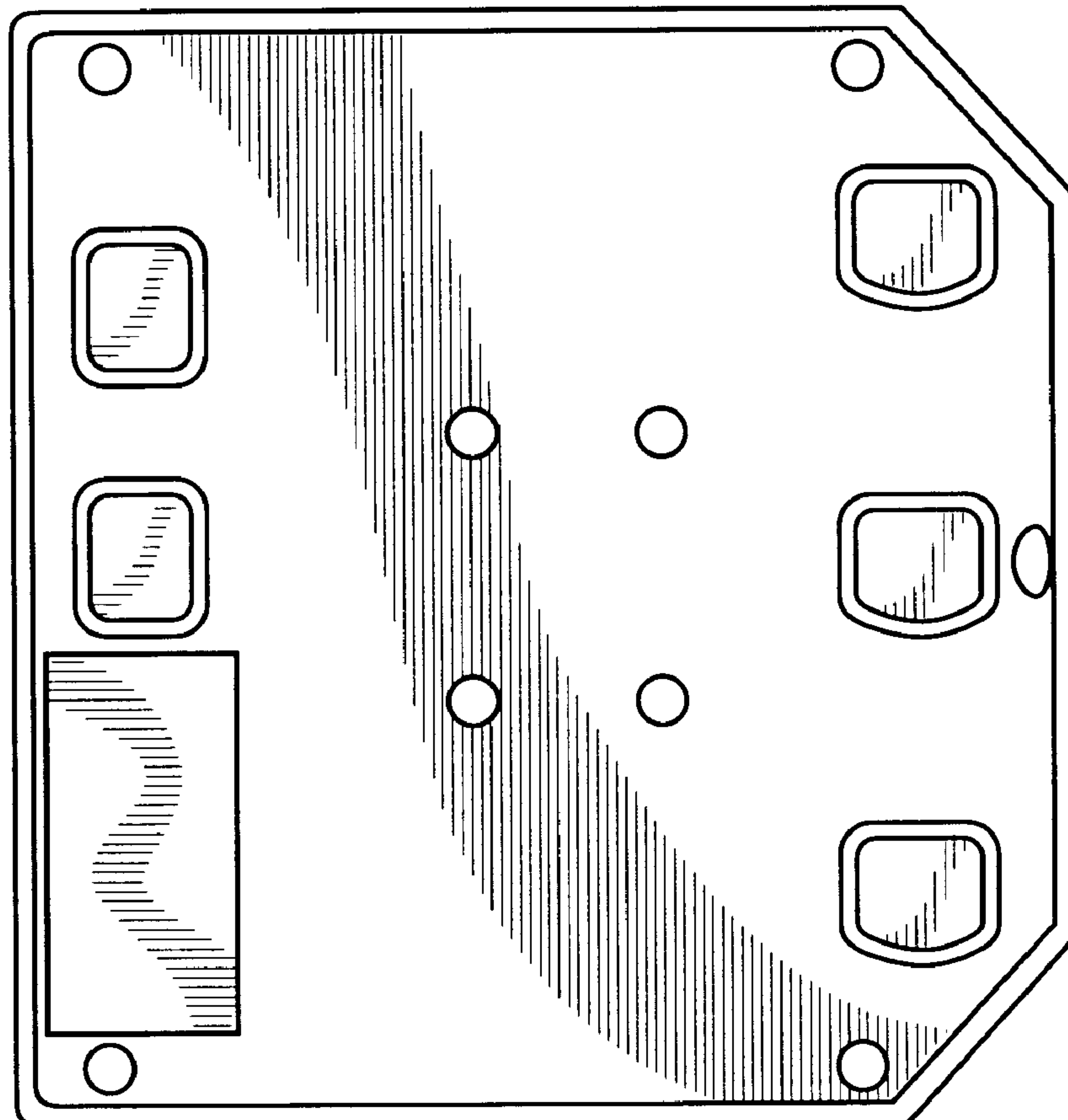


FIG. 2

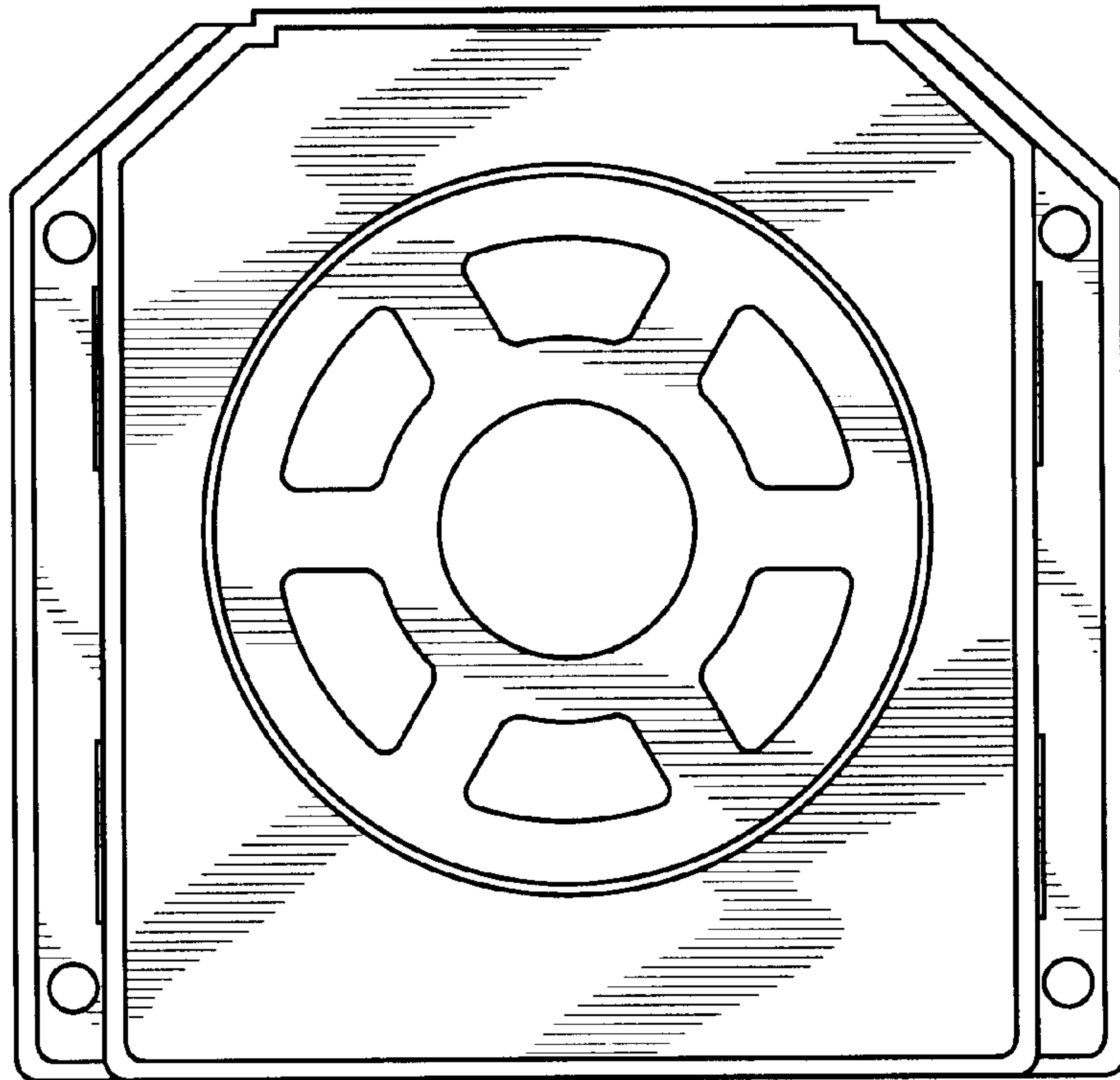


FIG. 1

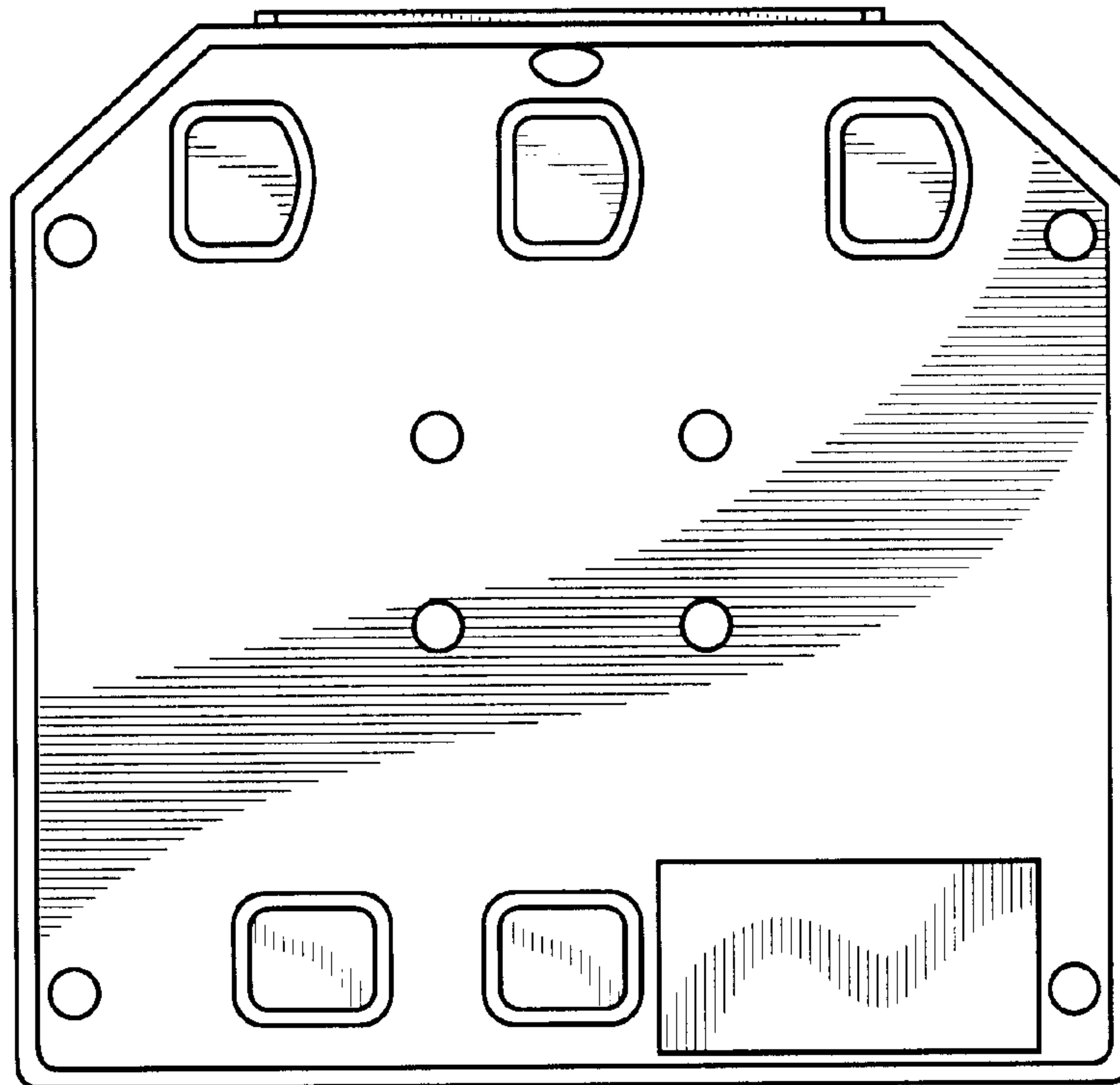


FIG. 4

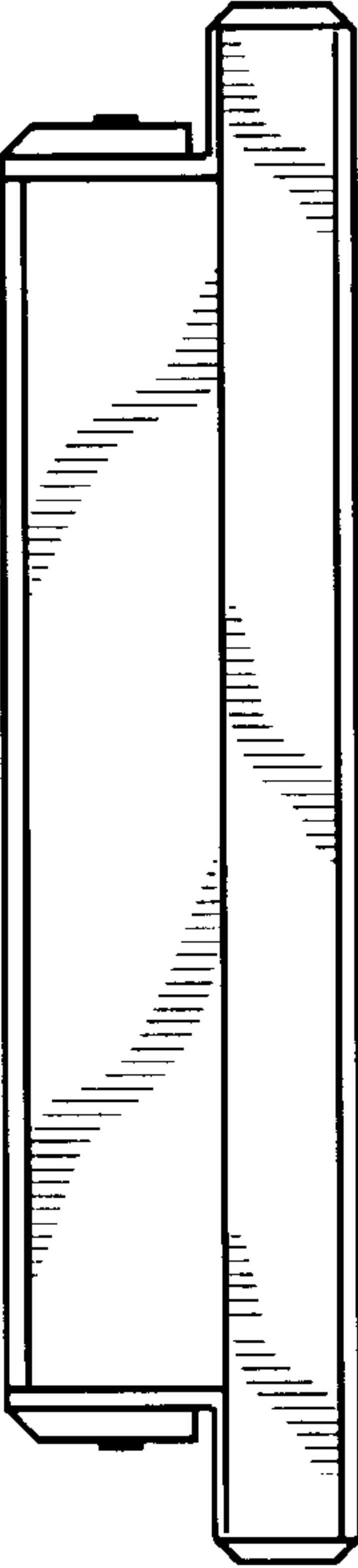


FIG. 3

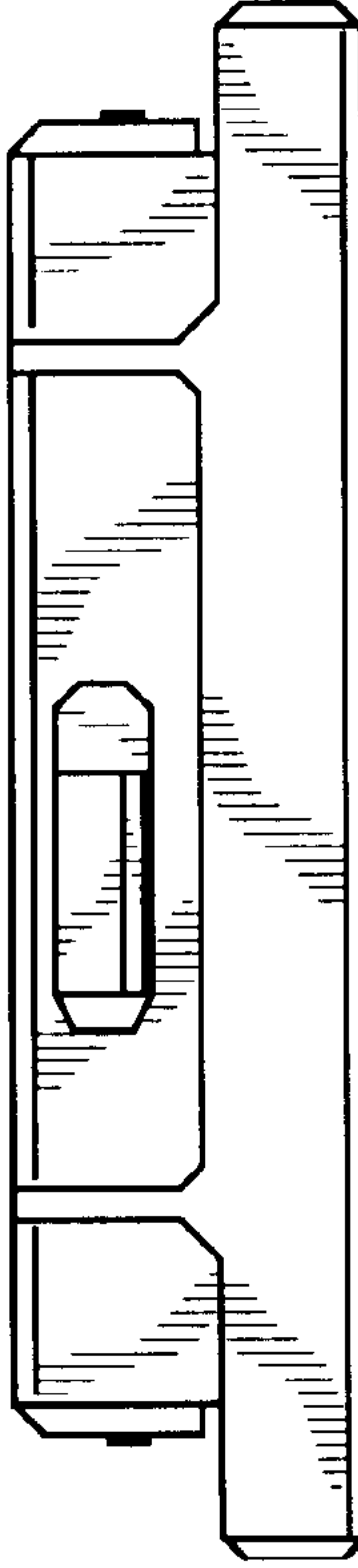


FIG. 6

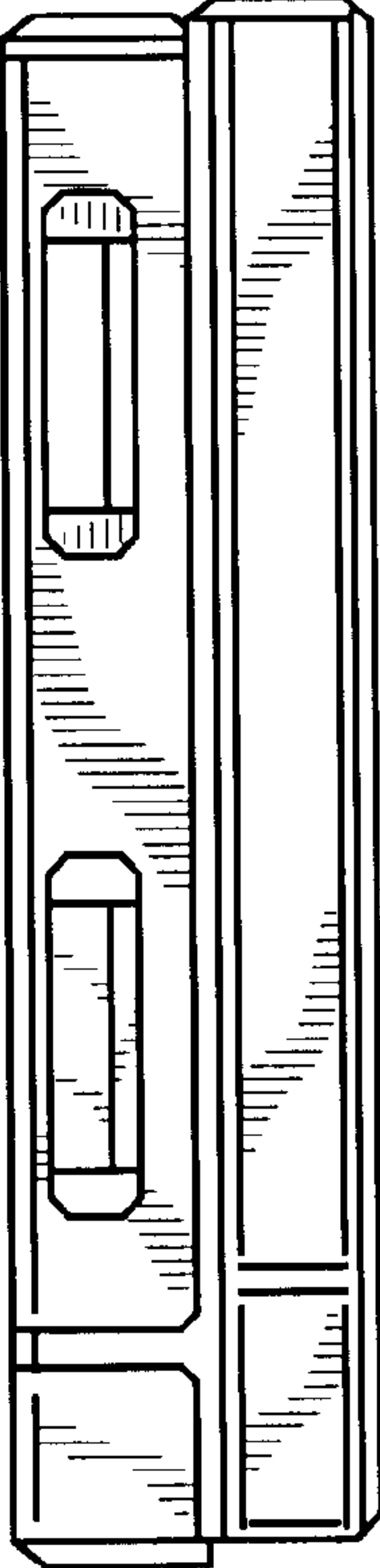


FIG. 5

