

US00D494873S1

(12) **United States Design Patent**
Junod

(10) **Patent No.:** **US D494,873 S**

(45) **Date of Patent:** **** Aug. 24, 2004**

(54) **WATCH WITH WATCHBAND**

(75) **Inventor:** **Paul Junod, Bienne (CH)**

(73) **Assignee:** **Milus International SA (CH)**

(**) **Term:** **14 Years**

(21) **Appl. No.:** **29/187,090**

(22) **Filed:** **Jul. 28, 2003**

(30) **Foreign Application Priority Data**

Jan. 28, 2003 (CH) 129509

(51) **LOC (7) Cl.** **10-02**

(52) **U.S. Cl.** **D10/32**

(58) **Field of Search** D10/1-40, 122-132;
368/276-277, 281-282, 285; D11/3-25;
63/1.1, 3, 5, 11; 224/164, 168, 178

(56) **References Cited**

U.S. PATENT DOCUMENTS

2,120,348 A * 6/1938 Bezault 63/9
D310,334 S * 9/1990 Jahan D10/32

D327,655 S * 7/1992 Ng D10/32
D394,393 S * 5/1998 Kojima D10/30
D400,445 S * 11/1998 Voegeli D10/32
D452,174 S * 12/2001 Giardiello D10/32

* cited by examiner

Primary Examiner—Nelson C. Holtje

(74) *Attorney, Agent, or Firm*—Woodard, Emhardt,
Moriarty, McNett & Henry LLP

(57) **CLAIM**

The ornamental design for a watch with watchband, as shown and described.

DESCRIPTION

FIG. 1 is a front elevation view of a watch with watchband incorporating my new design.

FIG. 2 is a back elevation view.

FIG. 3 is a right side elevational view.

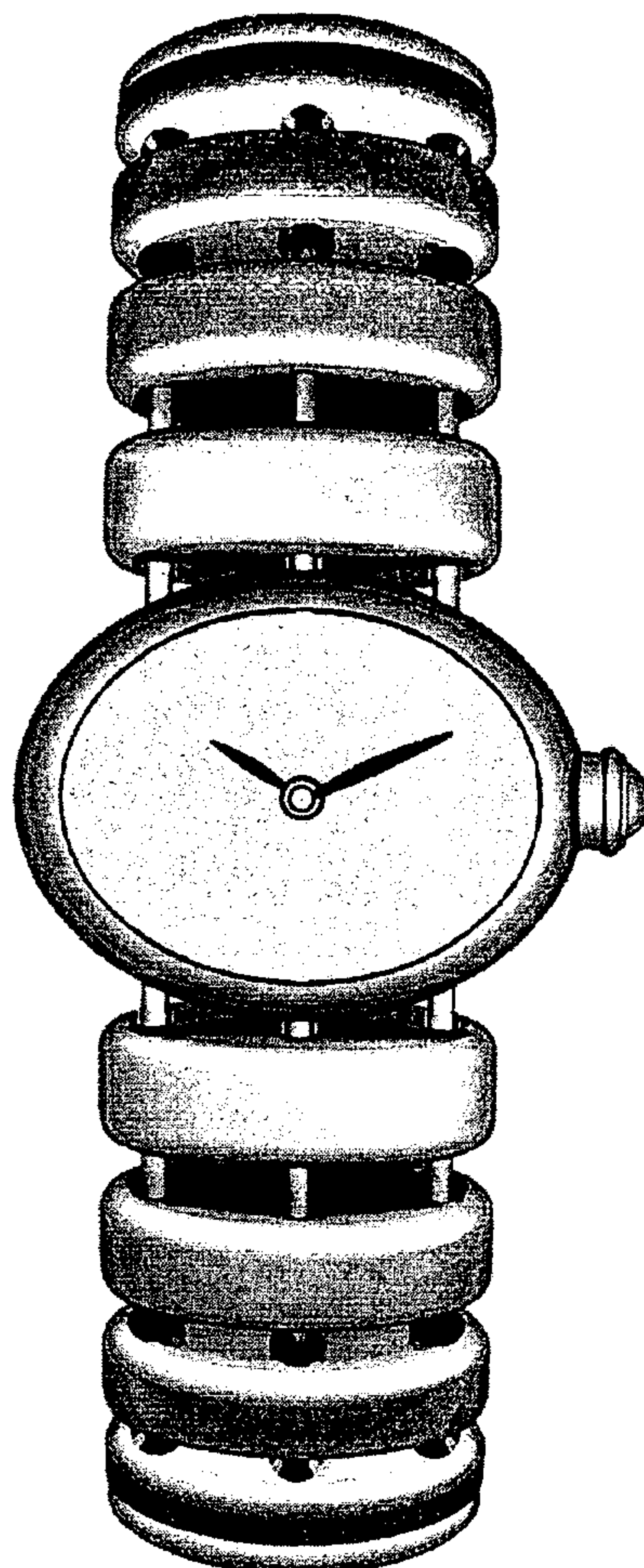
FIG. 4 is a left side elevational view.

FIG. 5 is a bottom plan view.

FIG. 6 is a top plan view; and,

FIG. 7 is a perspective view.

1 Claim, 7 Drawing Sheets



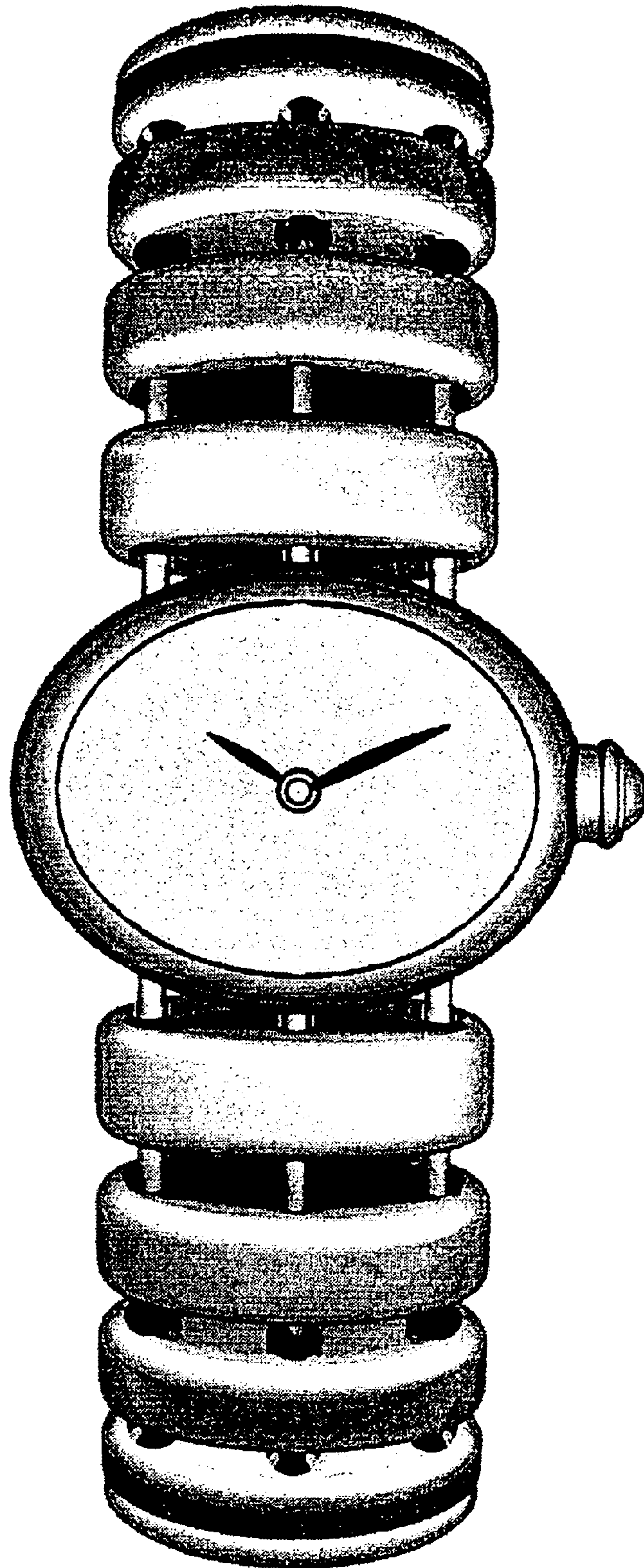


Fig. 1

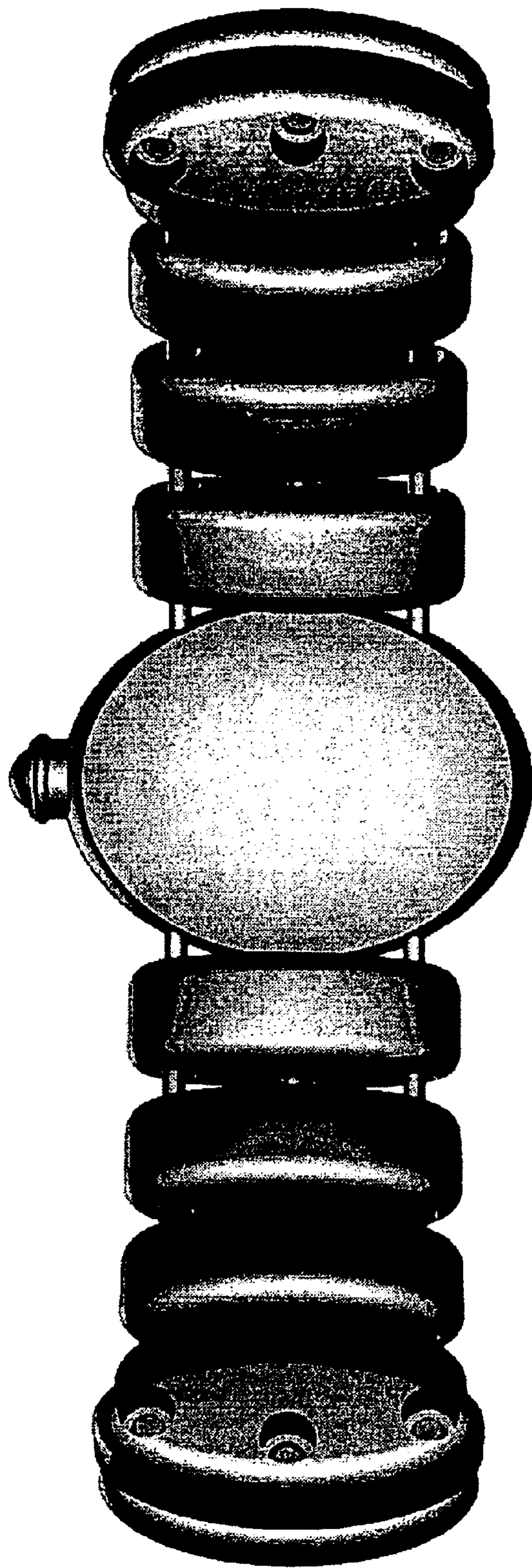


Fig. 2

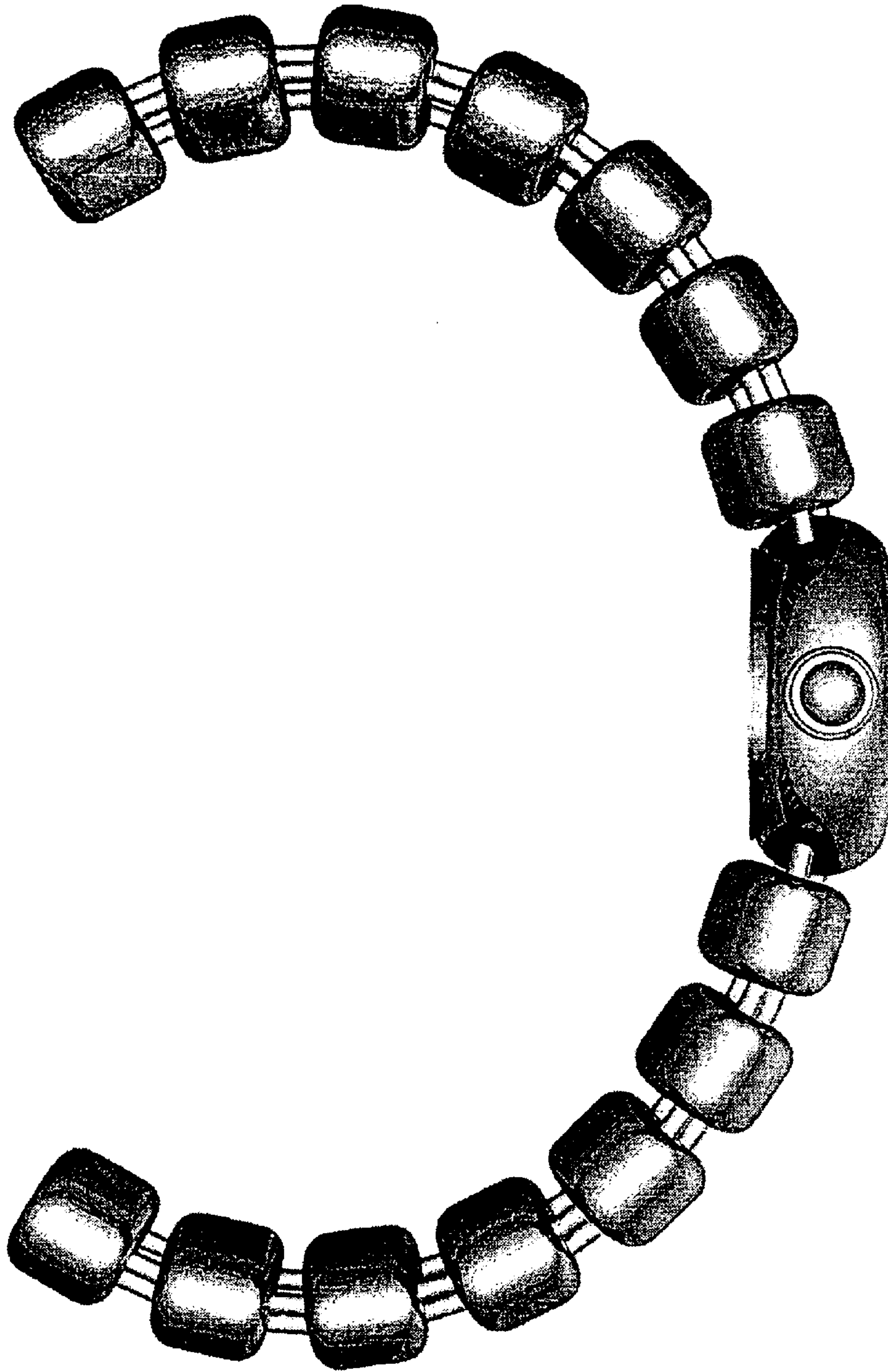


Fig. 3



Fig. 4

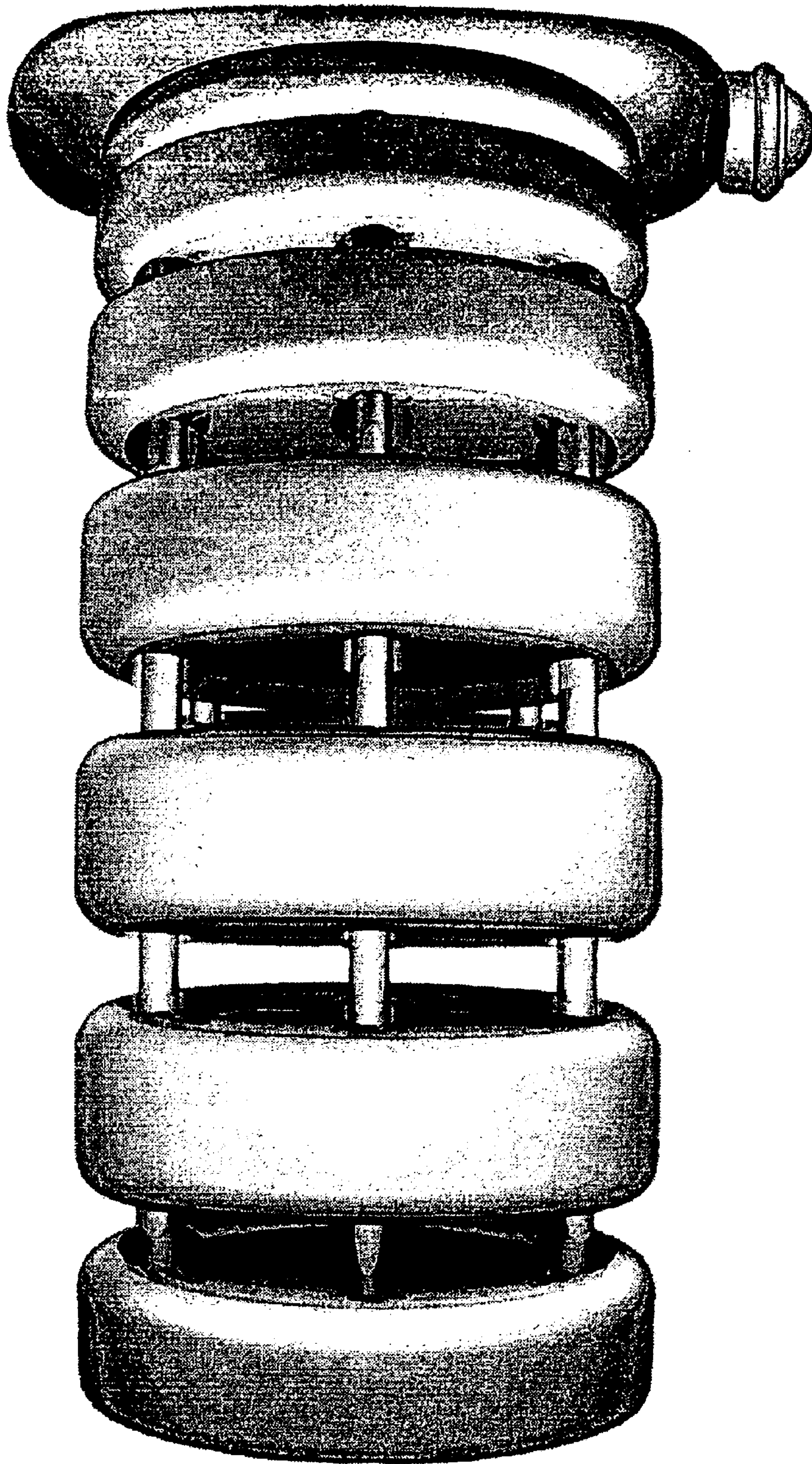


Fig. 5

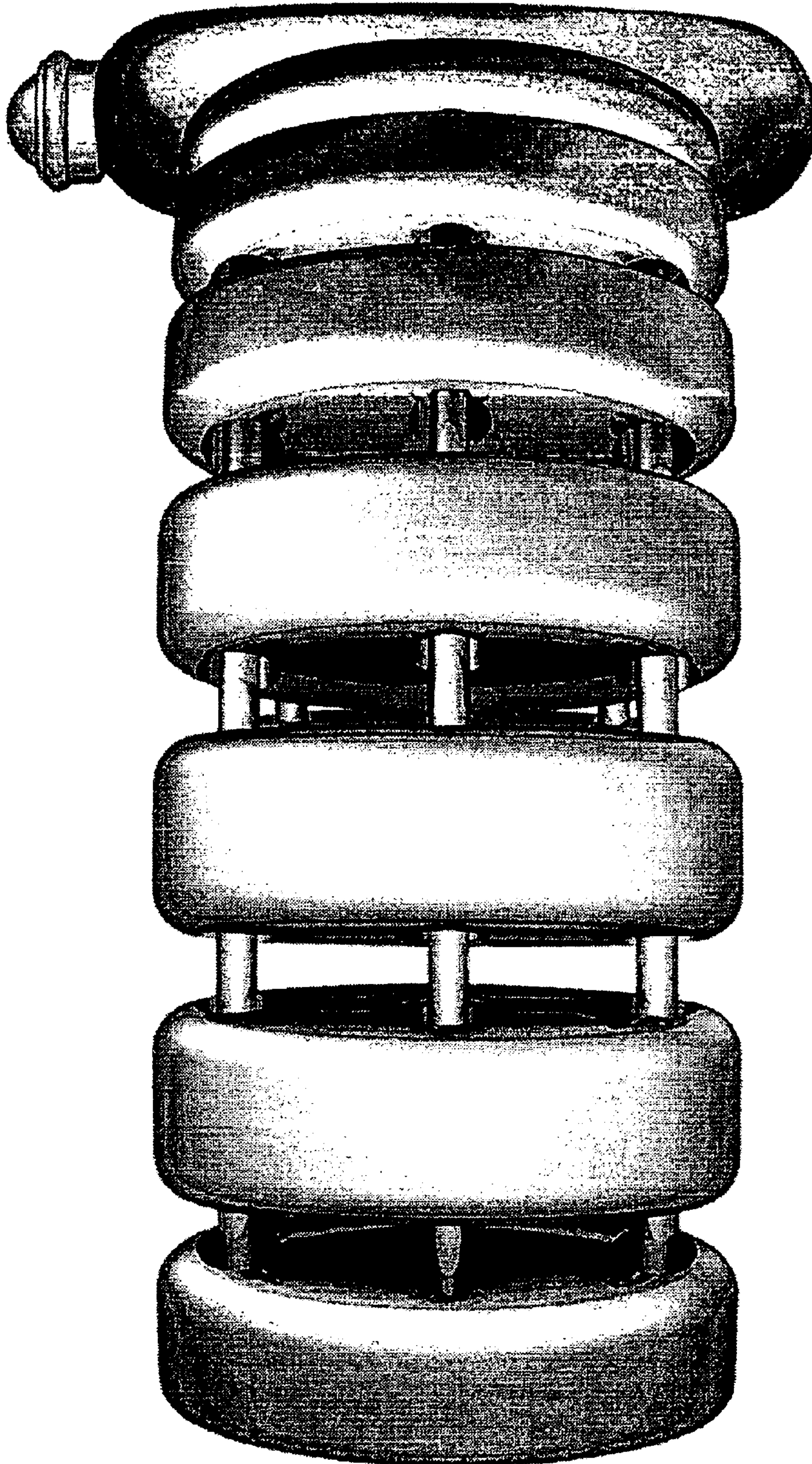


Fig. 6



Fig. 7