

US00D494868S1

(12) **United States Design Patent** (10) **Patent No.:** **US D494,868 S**
Walsh et al. (45) **Date of Patent:** **** Aug. 24, 2004**

(54) **SPOUT**

(75) Inventors: **Michael J. Walsh**, Chesterfield, MO (US); **Mark A. Gilbertson**, Sauk City, WI (US); **Michael J. Brock**, Madison, WI (US); **Scott G. Manke**, Sun Prairie, WI (US)

(73) Assignee: **Masterchem Industries, Inc.**, Imperial, MO (US)

(**) Term: **14 Years**

(21) Appl. No.: **29/167,970**

(22) Filed: **Sep. 25, 2002**

(51) **LOC (7) Cl.** **09-01**

(52) **U.S. Cl.** **D9/516; D9/527**

(58) **Field of Search** D32/10-11; D34/53-54; D9/435, 516, 521, 529, 549, 550, 557-558, 571, 574-575, 560, 338, 449, 533, 525-526, 540, 543, 414, 417, 447; 215/383-384, 396, 398, 400; 220/660, 675; 222/206, 214-215

4,491,234 A 1/1985 Wilcock
 4,550,862 A 11/1985 Barker et al.
 D288,535 S 3/1987 Bozich
 4,669,640 A 6/1987 Ando et al.
 D292,489 S 10/1987 Kowollik et al.
 D292,490 S 10/1987 Kowollik et al.
 D292,491 S 10/1987 Ross et al.
 4,702,395 A 10/1987 Nitsch
 4,736,874 A 4/1988 Durant
 4,830,234 A 5/1989 Odet
 D302,526 S 8/1989 Ritter
 4,890,770 A 1/1990 Haga et al.
 4,907,714 A * 3/1990 Gatz 222/570
 4,941,586 A 7/1990 Tarna
 4,984,714 A 1/1991 Sledge
 D323,115 S * 1/1992 Kelsey D9/423
 D323,456 S 1/1992 Gonda
 5,108,009 A 4/1992 Davidson et al.

(List continued on next page.)

FOREIGN PATENT DOCUMENTS

GB 2233627 1/1991
Primary Examiner—Philip S. Hyder
Assistant Examiner—Carol Radomaker
 (74) *Attorney, Agent, or Firm*—Foley & Lardner LLP

(56) **References Cited**

U.S. PATENT DOCUMENTS

129,303 A 7/1872 Wright
 164,128 A 6/1875 Babbitt
 309,000 A * 12/1884 Haverstick 368/58
 1,952,288 A 3/1934 Saxon
 2,120,487 A 6/1938 Conner
 D133,978 S * 10/1942 Johnson D9/447
 D204,507 S * 4/1966 Davis D32/53
 D208,276 S * 8/1967 Moore D32/53
 3,899,107 A 8/1975 Gaal
 4,014,465 A 3/1977 Ritter
 4,033,473 A 7/1977 Raley et al.
 4,078,700 A 3/1978 Hidding
 D249,646 S 9/1978 Ritter
 4,203,537 A 5/1980 McAlister
 D258,563 S 3/1981 Romagnoli
 D267,631 S 1/1983 Beechuk
 D276,890 S 12/1984 Hancher

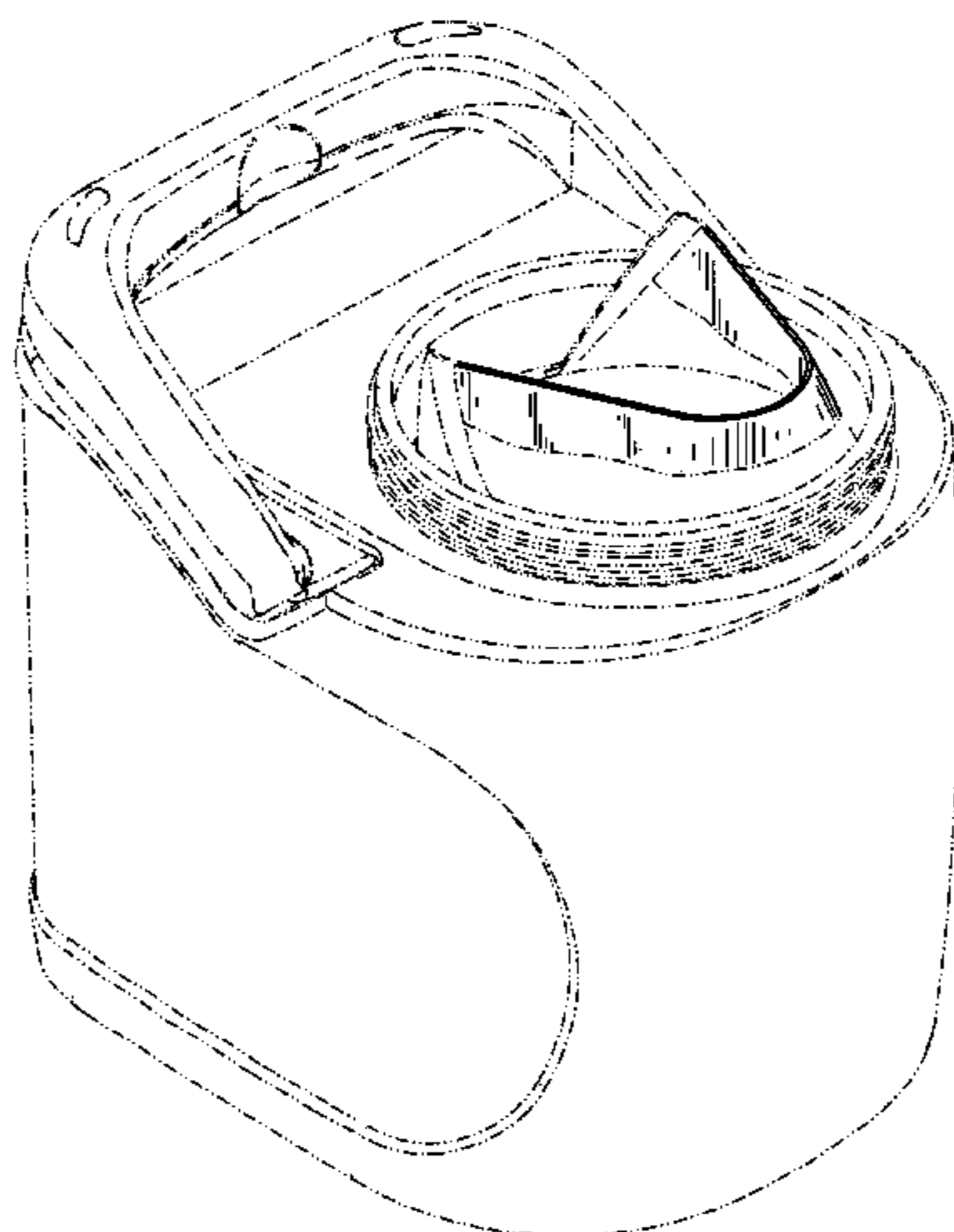
(57) **CLAIM**

We claim the ornamental design for a spout, as shown and described.

DESCRIPTION

FIG. 1 is a perspective view of a spout of the claimed design; FIG. 2 is a right side elevational view of the spout thereof, the left side being a mirror image; FIG. 3 is a rear elevational view of the spout thereof; FIG. 4 is a front elevational view of the spout thereof; and, FIG. 5 is a top plan view of the spout thereof. The ornamental design which is claimed is shown in solid lines in the drawings. The broken lines in the drawings are for illustrative purposes only and form no part of the claimed design.

1 Claim, 3 Drawing Sheets



US D494,868 S

Page 2

U.S. PATENT DOCUMENTS

5,123,576 A	6/1992	Lawrence	
D331,015 S	* 11/1992	Kerr	D9/447
5,195,662 A	3/1993	Neff	
5,251,788 A	10/1993	Moore	
5,269,438 A	* 12/1993	Kelsey	220/766
5,299,710 A	4/1994	Welsch et al.	
D347,790 S	6/1994	Lathrop et al.	
5,377,863 A	1/1995	Widman	
5,435,467 A	7/1995	Ekkert et al.	
5,472,121 A	12/1995	Silano	
D368,032 S	3/1996	Couto	
5,533,802 A	7/1996	Garganese	
5,547,091 A	8/1996	Neveras et al.	
5,566,862 A	10/1996	Haffner et al.	
D379,302 S	5/1997	Rodman	
5,626,258 A	5/1997	Maiorino	
D393,520 S	4/1998	Christy	
5,743,445 A	4/1998	Benarrouch	
RE35,933 E	10/1998	Scholl	
5,823,345 A	10/1998	Nask et al.	
5,850,953 A	12/1998	Dallas, Jr.	
D405,014 S	2/1999	Nask et al.	
5,893,489 A	4/1999	Giarrante	
D415,687 S	10/1999	Lai et al.	
5,971,201 A	10/1999	Daw	
D425,792 S	5/2000	Haller	
6,068,161 A	5/2000	Soehrlen et al.	
6,085,949 A	7/2000	Zimny et al.	
D428,817 S	8/2000	Olson et al.	
D431,472 S	10/2000	Cain et al.	
D435,445 S	12/2000	Arai et al.	
6,213,338 B1	4/2001	Cogdill	
6,223,945 B1	5/2001	Giblin et al.	
6,293,692 B1	9/2001	Bowsher et al.	
D456,259 S	4/2002	Groenewald	
6,367,670 B1	4/2002	Warner et al.	
D458,844 S	6/2002	Shea	
6,398,076 B1 *	6/2002	Giblin et al.	222/109
6,427,879 B1 *	8/2002	Caldwell	222/465.1
D471,808 S *	3/2003	de Castro Couto	D9/435
6,530,500 B2	3/2003	Bravo et al.	
D475,628 S *	6/2003	Walsh et al.	D9/516 X
D476,787 S *	7/2003	Templeton	D32/54
2002/0195471 A1	12/2002	Nottingham et al.	
2003/0102339 A1	6/2003	Walsh et al.	
2003/0102340 A1	6/2003	Walsh et al.	
2003/0121941 A1	7/2003	Walsh et al.	

* cited by examiner

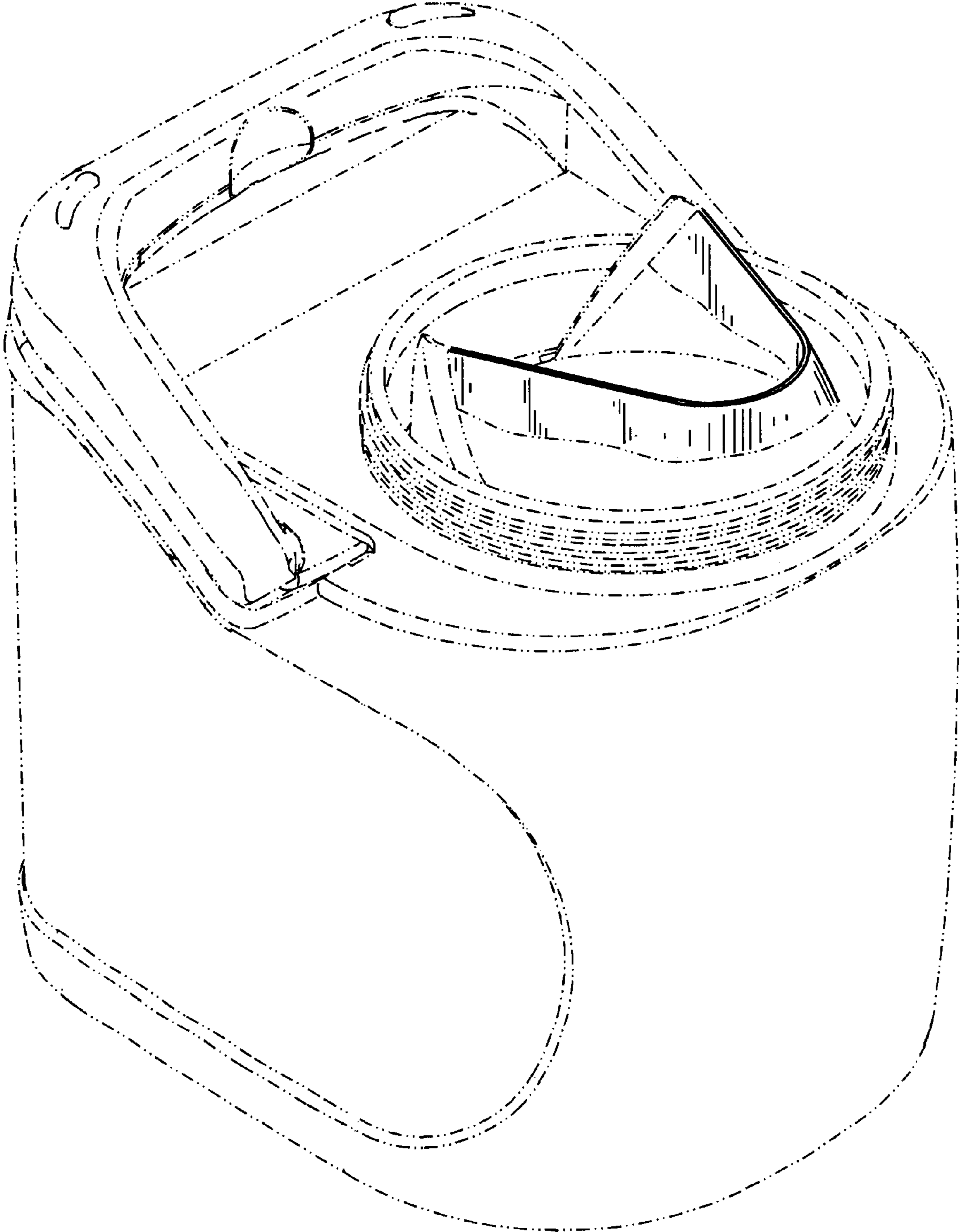


FIG. 1

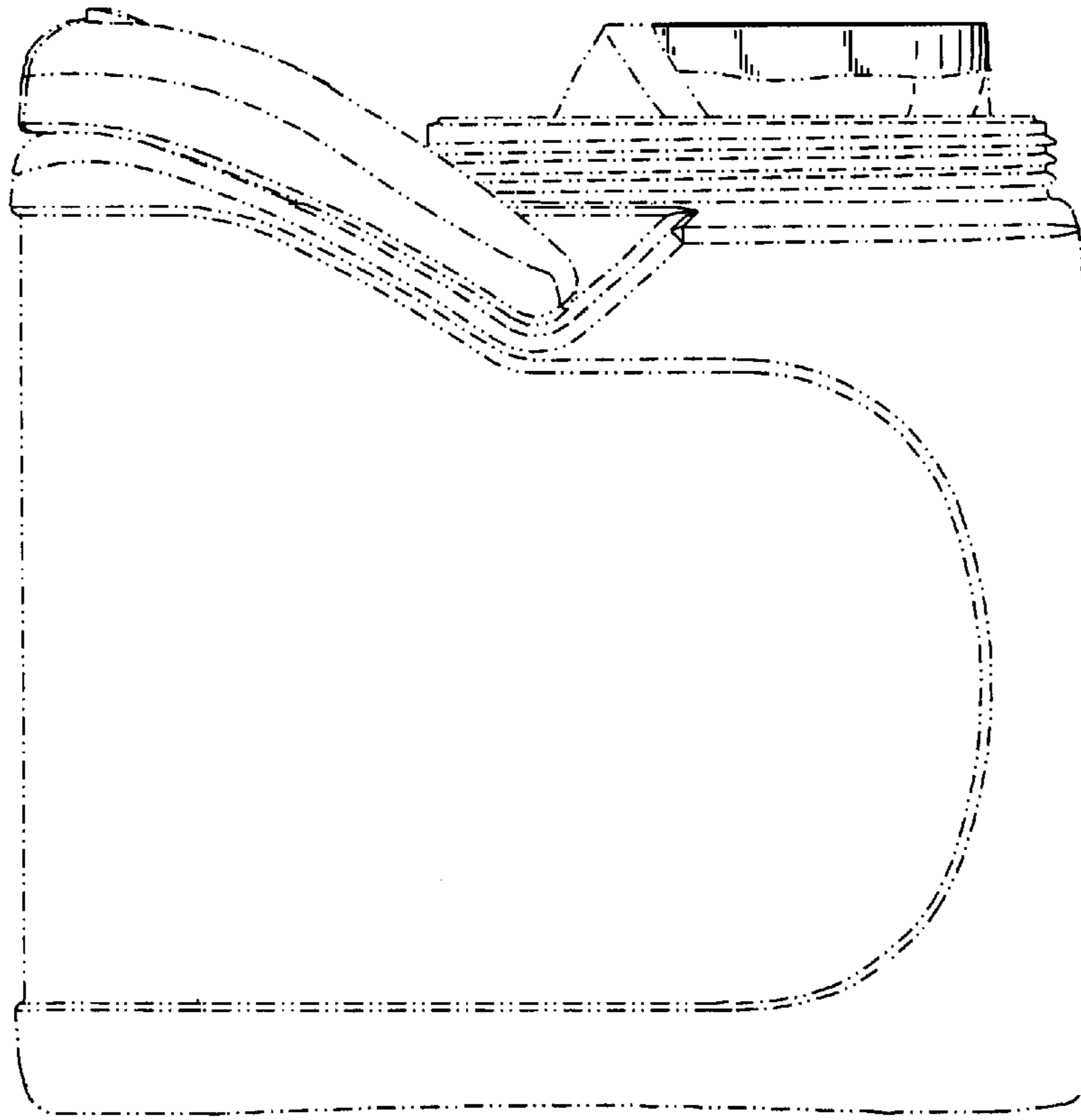


FIG. 2

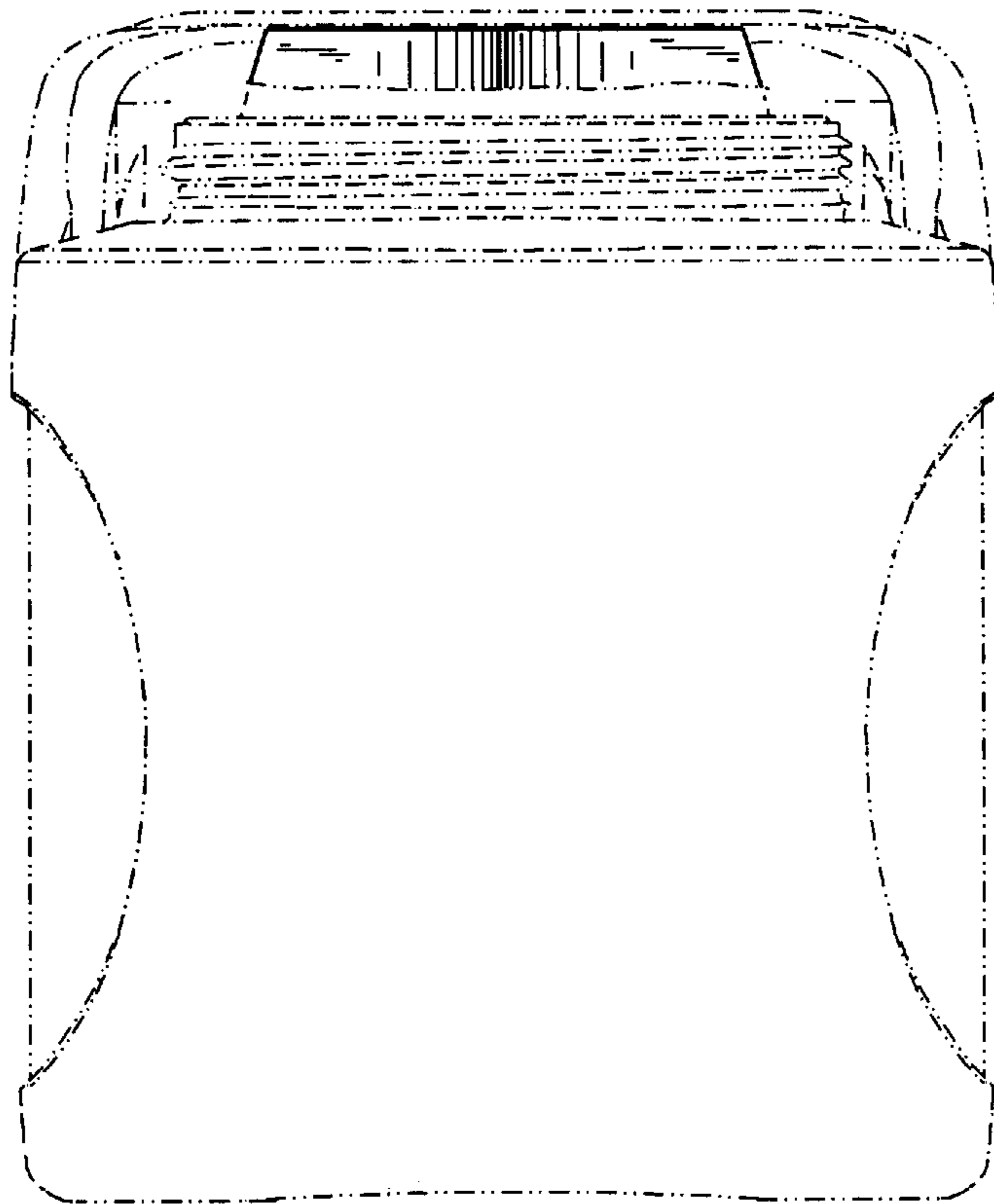


FIG. 3

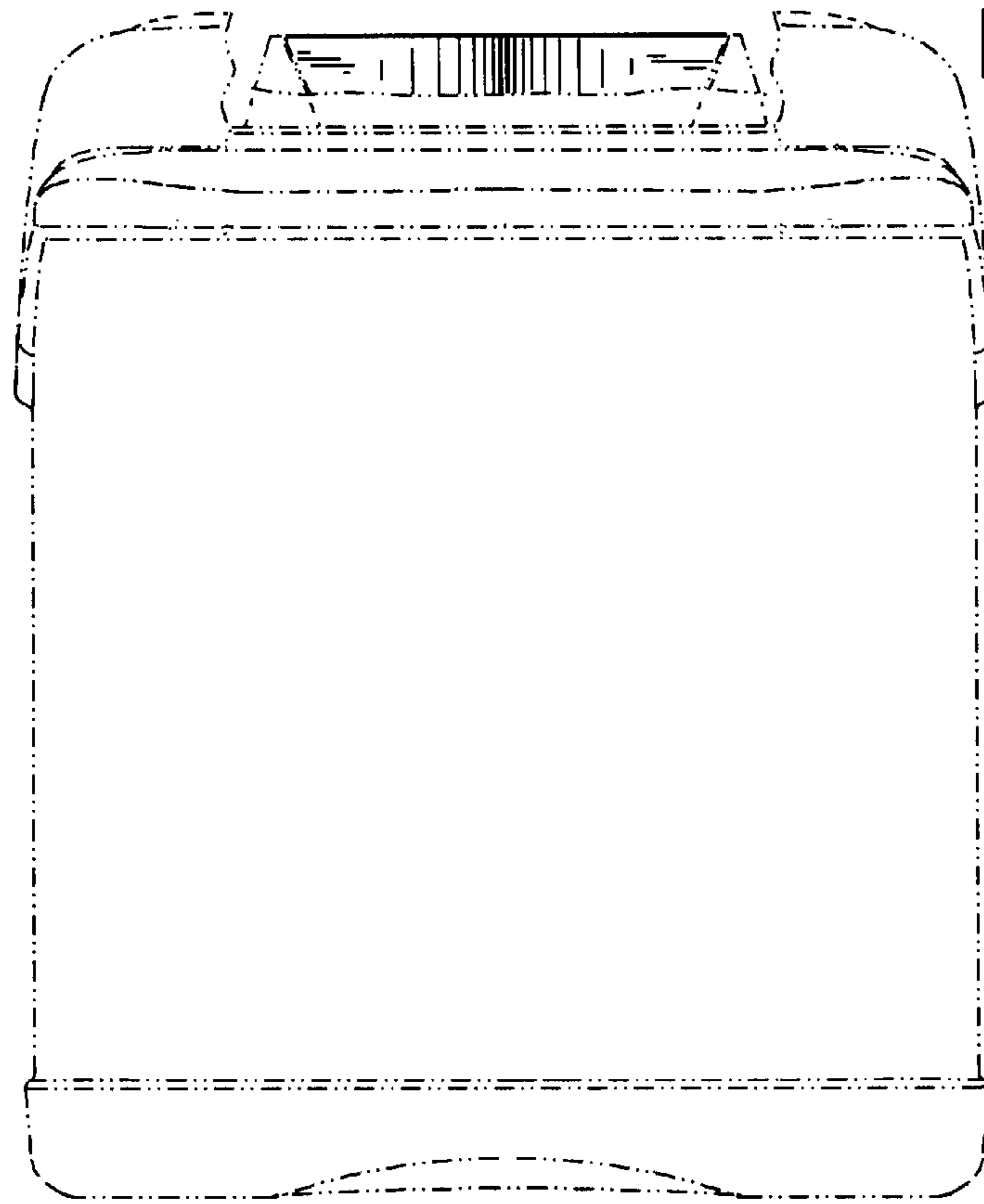


FIG. 4

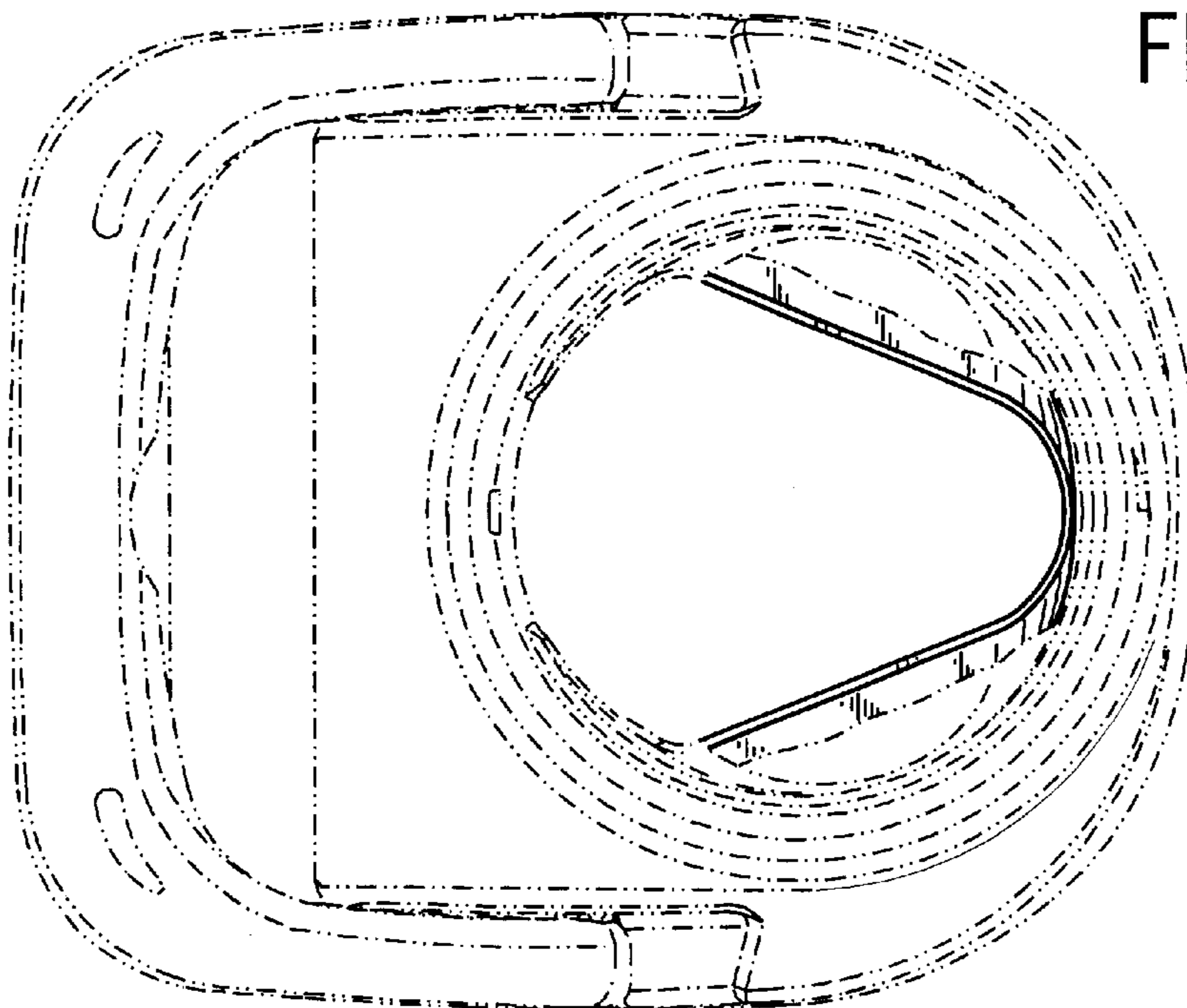


FIG. 5