

US00D494867S1

(12) **United States Design Patent** (10) **Patent No.:** **US D494,867 S**  
**Apps** (45) **Date of Patent:** **\*\* Aug. 24, 2004**

- (54) **STACKABLE LOW DEPTH TRAY**
- (75) Inventor: **William P. Apps**, Alpharetta, GA (US)
- (73) Assignee: **Rehrig Pacific Company**, Los Angeles, CA (US)
- (\*\*) Term: **14 Years**
- (21) Appl. No.: **29/171,391**
- (22) Filed: **Oct. 21, 2002**

3,055,531 A 9/1962 Chelbor  
 3,055,542 A 9/1962 Russo  
 3,092,284 A 6/1963 Stout

(List continued on next page.)

**FOREIGN PATENT DOCUMENTS**

BE 680197 10/1966  
 BE 693216 7/1967  
 CA 965056 3/1975

(List continued on next page.)

**OTHER PUBLICATIONS**

Exhibit 1: Four photos of a prior art case of Rehrig Pacific Company, Model No. PLBC-8-2L-PET-QD (1984).  
 Exhibit 2: Two photos of a prior art case of Rehrig Pacific Company for 3 liter PET bottles (1990).  
 Exhibit 3: Two photos of a prior art case of D.W. Plastics (Date unknown).  
 Exhibit 4: Two photos of a prior art case of International Container Systems, Inc. for 3 liter PET bottles (Date unknown).

**Related U.S. Application Data**

- (63) Continuation of application No. 29/144,081, filed on Jun. 25, 2001, now Pat. No. Des. 466,018.
- (51) **LOC (7) Cl.** ..... **09-07**
- (52) **U.S. Cl.** ..... **D9/456**
- (58) **Field of Search** ..... D9/434, 456, 345;  
D3/312-314; 206/519, 427, 504, 518, 564,  
265

(56) **References Cited**

**U.S. PATENT DOCUMENTS**

820,445 A 5/1906 Speer  
 D103,862 S 3/1937 Randall et al.  
 2,411,673 A 11/1946 Vechey, Jr.  
 D147,981 S 11/1947 Lehman  
 D152,907 S 3/1949 Richards  
 2,512,855 A 6/1950 Erickson  
 2,526,335 A 10/1950 Deichert  
 2,530,481 A 11/1950 Rawn, Jr.  
 2,535,493 A 12/1950 Gerber  
 2,588,805 A 3/1952 Cross  
 2,626,079 A 1/1953 Keller  
 D172,664 S 7/1954 Emery  
 2,743,030 A 4/1956 Read, Jr.  
 2,840,256 A 6/1958 Cobb, Jr.  
 2,928,530 A 3/1960 Sauey  
 2,935,222 A 5/1960 O'Connell  
 2,970,715 A 2/1961 Kappel et al.  
 D189,891 S 3/1961 Schilling  
 2,979,222 A 4/1961 Levine  
 3,009,579 A 11/1961 Ettliger, Jr.

*Primary Examiner*—Dominic Simone

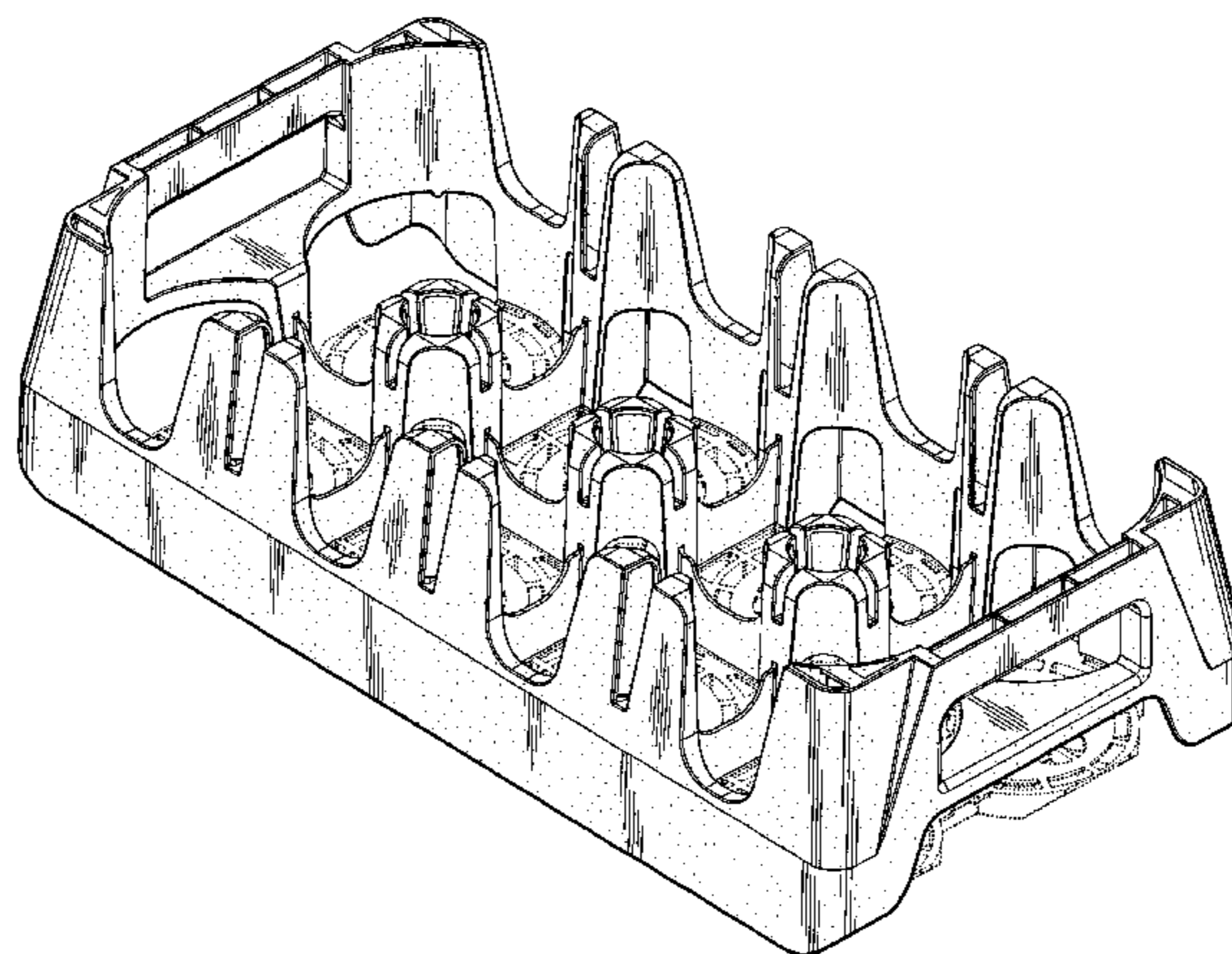
(57) **CLAIM**

The ornamental design for a stackable low depth tray, as shown and described.

**DESCRIPTION**

FIG. 1 is a perspective view of the stackable low depth tray according to the present invention;  
 FIG. 2 is a top plan view of the tray of FIG. 1;  
 FIG. 3 is a bottom plan view of the tray of FIG. 1;  
 FIG. 4 is a front side elevational view of the tray of FIG. 1, the rear side elevational view being a mirror image thereof; and,  
 FIG. 5 is a right side elevational view of the tray of FIG. 1, the left side elevational view being a mirror image thereof.  
 The broken lines shown are for enviornmental purposes only and are not part of the claimed design.

**1 Claim, 5 Drawing Sheets**



US D494,867 S

U.S. PATENT DOCUMENTS

D195,702 S 7/1963 Russo  
3,148,797 A 9/1964 Cloyd  
3,151,762 A 10/1964 Vidal  
3,155,268 A 11/1964 Fogerty et al.  
3,184,148 A 5/1965 Poupitch  
D201,257 S 6/1965 Vidal  
3,247,996 A 4/1966 Garcia  
3,283,947 A 11/1966 Cornelius  
3,297,190 A 1/1967 Cloyd  
D208,111 S 7/1967 Vidal  
3,332,574 A 7/1967 Earp  
3,333,727 A 8/1967 Belcher et al.  
3,333,729 A 8/1967 Rabb  
3,334,767 A 8/1967 Cornelius et al.  
3,349,943 A 10/1967 Box  
D209,864 S 1/1968 Versteeg  
3,376,998 A 4/1968 Cornelius  
3,384,261 A 5/1968 Austin  
3,390,801 A 7/1968 Adomat  
3,391,814 A 7/1968 Box  
3,391,815 A 7/1968 Box  
3,392,869 A 7/1968 Needt  
3,416,694 A 12/1968 Bebb  
3,428,207 A 2/1969 Schoeller  
3,517,852 A 6/1970 Schoeller  
3,638,824 A 2/1972 Sekiguchi et al.  
3,701,449 A 10/1972 Schoeller  
3,759,416 A 9/1973 Constantine  
D229,674 S 12/1973 Quigg  
3,812,996 A 5/1974 Bunnell  
3,865,239 A 2/1975 Herolzer et al.  
3,949,876 A 4/1976 Bridges et al.  
3,998,327 A 12/1976 Box  
4,027,796 A 6/1977 Martin  
4,037,722 A 7/1977 Bremer  
4,040,517 A 8/1977 Torokvei  
4,071,162 A 1/1978 Steinlein et al.  
4,095,720 A 6/1978 Delbrouck et al.  
4,101,049 A 7/1978 Wallace et al.  
4,161,259 A 7/1979 Palafox  
4,162,738 A 7/1979 Wright  
4,202,448 A 5/1980 Jaeger et al.  
4,204,596 A 5/1980 Davis  
4,319,685 A 3/1982 David  
4,344,530 A 8/1982 deLarosiere  
D266,709 S 10/1982 Box  
4,410,099 A 10/1983 deLarosiere  
4,416,373 A 11/1983 deLarosiere  
D275,142 S 8/1984 Torokvei  
4,538,742 A 9/1985 Prodel  
4,548,320 A 10/1985 Box  
D283,103 S 3/1986 Cushing et al.  
D284,841 S 7/1986 Rowland et al.  
D289,938 S 5/1987 Warwick  
D291,178 S 8/1987 Toms  
4,700,836 A 10/1987 Hammett  
4,700,837 A 10/1987 Hammett  
D295,107 S 4/1988 Frost  
4,773,554 A 9/1988 Warwick  
4,789,063 A 12/1988 Hammett  
4,848,580 A 7/1989 Wise  
D304,123 S 10/1989 Warwick  
4,899,874 A 2/1990 Apps et al.  
4,911,303 A 3/1990 Anderson  
4,928,841 A 5/1990 Arthurs  
4,932,532 A 6/1990 Apps et al.  
4,978,002 A 12/1990 Apps et al.  
D313,493 S 1/1991 Apps et al.  
D317,670 S 6/1991 Apps  
D318,552 S 7/1991 Apps

5,031,774 A 7/1991 Morris et al.  
D319,129 S 8/1991 Apps et al.  
D320,298 S 9/1991 Apps et al.  
5,060,819 A 10/1991 Apps  
5,071,026 A 12/1991 Apps  
5,096,085 A 3/1992 Eek et al.  
D325,279 S 4/1992 Apps  
5,105,948 A 4/1992 Morris et al.  
D326,749 S 6/1992 Apps et al.  
D327,357 S 6/1992 Rehrig  
D327,972 S 7/1992 Apps et al.  
D329,931 S 9/1992 Apps  
D329,932 S 9/1992 Apps  
5,184,748 A 2/1993 Apps  
5,305,884 A 4/1994 Apps et al.  
5,316,172 A 5/1994 Apps et al.  
5,335,814 A 8/1994 Hepp  
D350,438 S 9/1994 Apps et al.  
5,421,477 A 6/1995 Hammett  
D360,758 S 8/1995 Umiker  
D361,431 S 8/1995 Koefeld  
5,465,843 A 11/1995 Koefeld  
5,487,487 A 1/1996 Hammett  
5,501,352 A 3/1996 Apps  
5,529,176 A 6/1996 Apps et al.  
D378,249 S 3/1997 Apps et al.  
D379,121 S 5/1997 Apps et al.  
D379,717 S 6/1997 Apps et al.  
D380,613 S 7/1997 Apps et al.  
D380,901 S 7/1997 Apps et al.  
5,651,461 A 7/1997 Apps et al.  
5,660,279 A 8/1997 Apps et al.  
5,704,482 A 1/1998 Apps et al.  
D399,060 S 10/1998 Apps et al.  
D400,012 S 10/1998 Apps  
5,823,376 A 10/1998 McGrath  
5,842,572 A 12/1998 Apps et al.  
D404,204 S 1/1999 Apps  
5,855,277 A 1/1999 Apps et al.  
D410,778 S 6/1999 Apps et al.  
D412,399 S 8/1999 Apps et al.  
5,964,343 A 10/1999 Steiner  
5,979,654 A 11/1999 Apps  
D417,784 S 12/1999 Umiker  
6,006,912 A 12/1999 McGrath  
D420,220 S 2/2000 Apps et al.  
6,047,844 A 4/2000 McGrath  
6,073,793 A 6/2000 Apps et al.  
6,079,554 A 6/2000 Hammett et al.  
D466,018 S \* 11/2002 Apps ..... D9/456

FOREIGN PATENT DOCUMENTS

CA 1109433 9/1981  
DE 1207268 12/1965  
EP 0 099 827 10/1986  
EP 0 210 712 8/1990  
EP 1 008 527 A1 6/2000  
FR 1285689 1/1962  
FR 1350962 12/1963  
FR 1351218 12/1963  
FR 1518610 2/1968  
FR 2302244 9/1976  
GB 943947 12/1963  
GB 1032916 6/1966  
GB 1115343 5/1968  
GB 1120067 7/1968  
GB 1152038 5/1969  
GB 1312701 4/1973  
GB 1319726 6/1973  
GB 1330778 9/1973  
GB 2 079 256 A 1/1982

# US D494,867 S

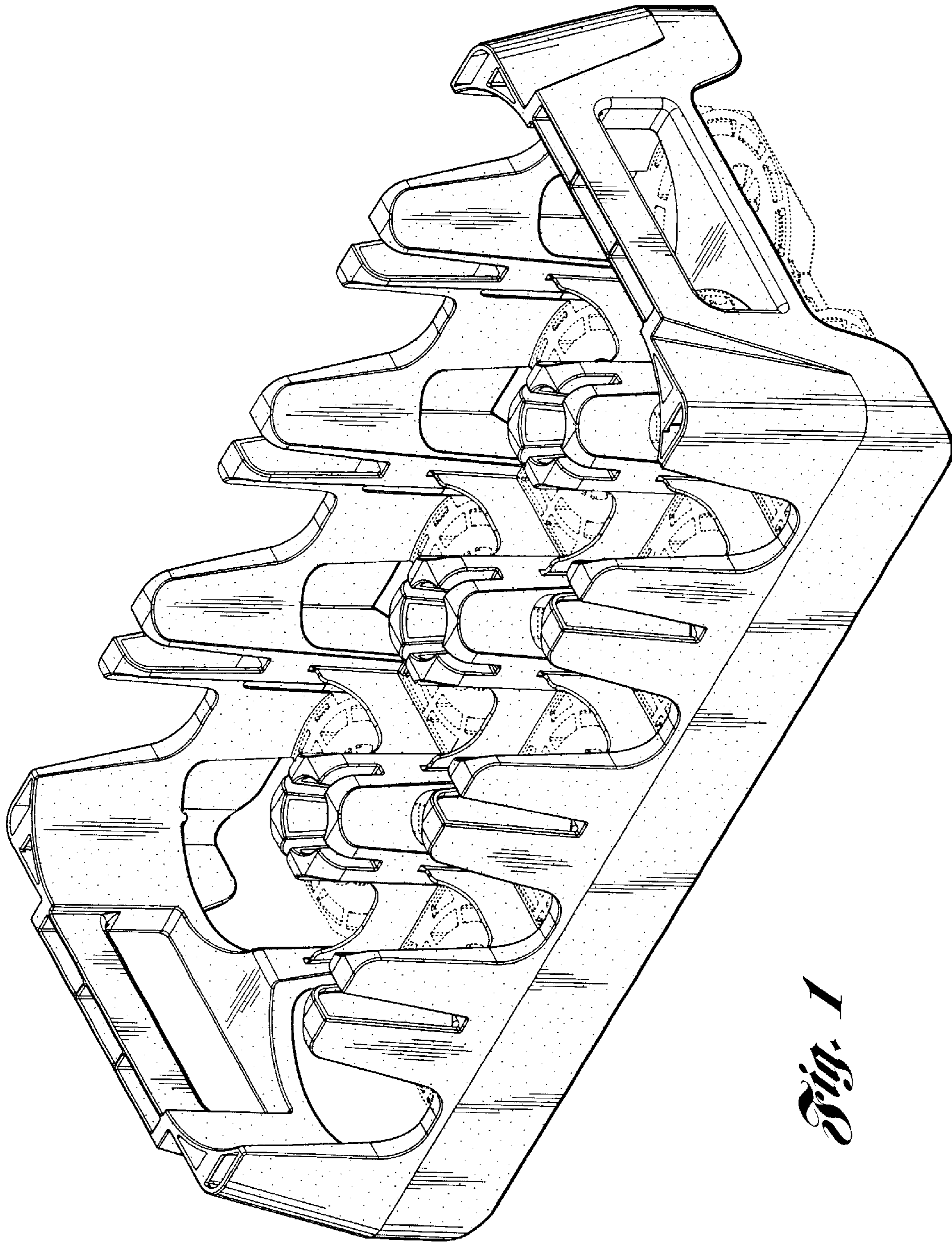
Page 3

---

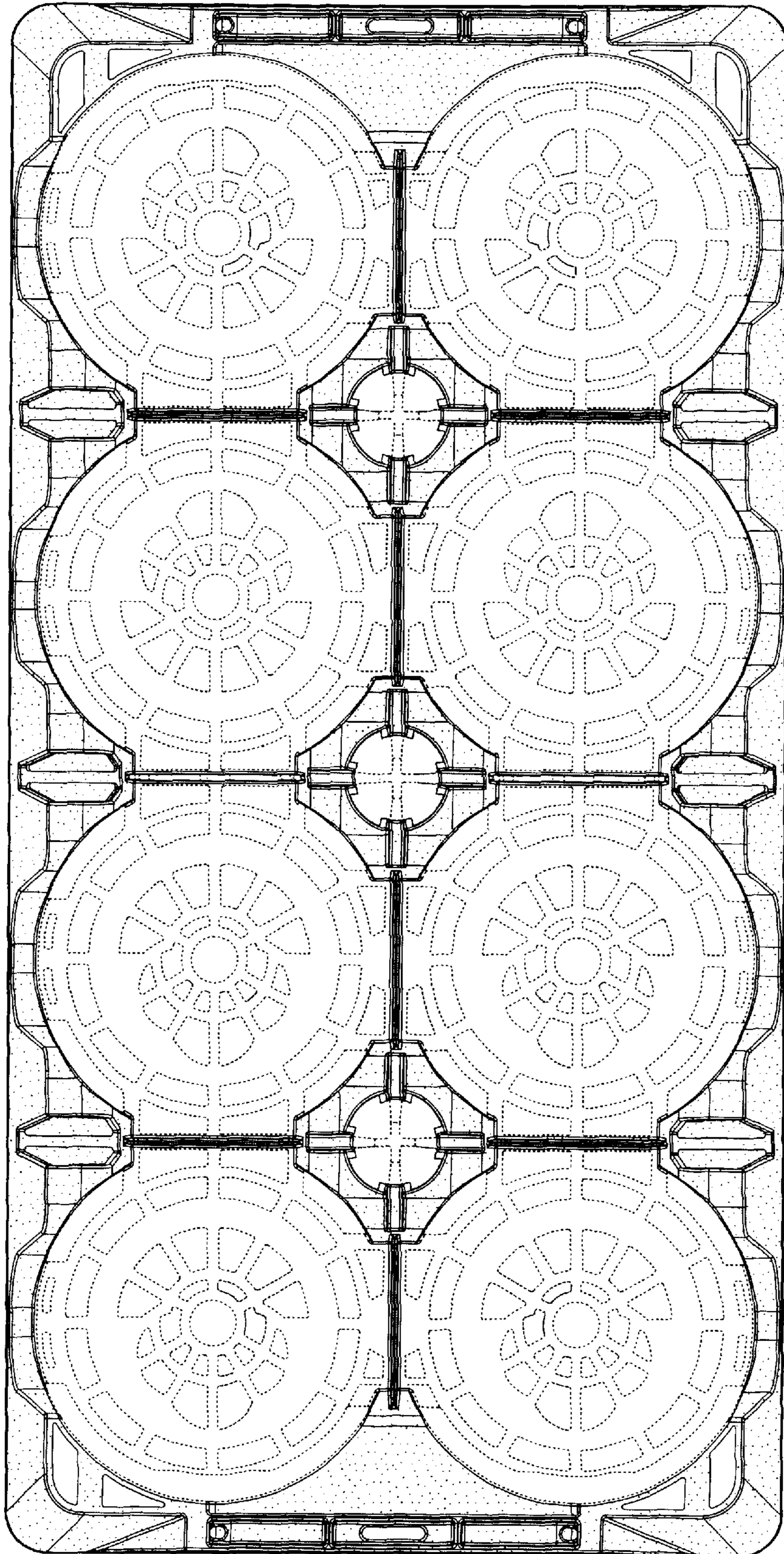
GB	2 135 278 A	8/1984
GB	2158044 A	11/1985
NL	6505562	10/1966
WO	WO 82/01536	5/1982

WO	WO 98/07636	2/1998
WO	WO 00/41937	7/2000

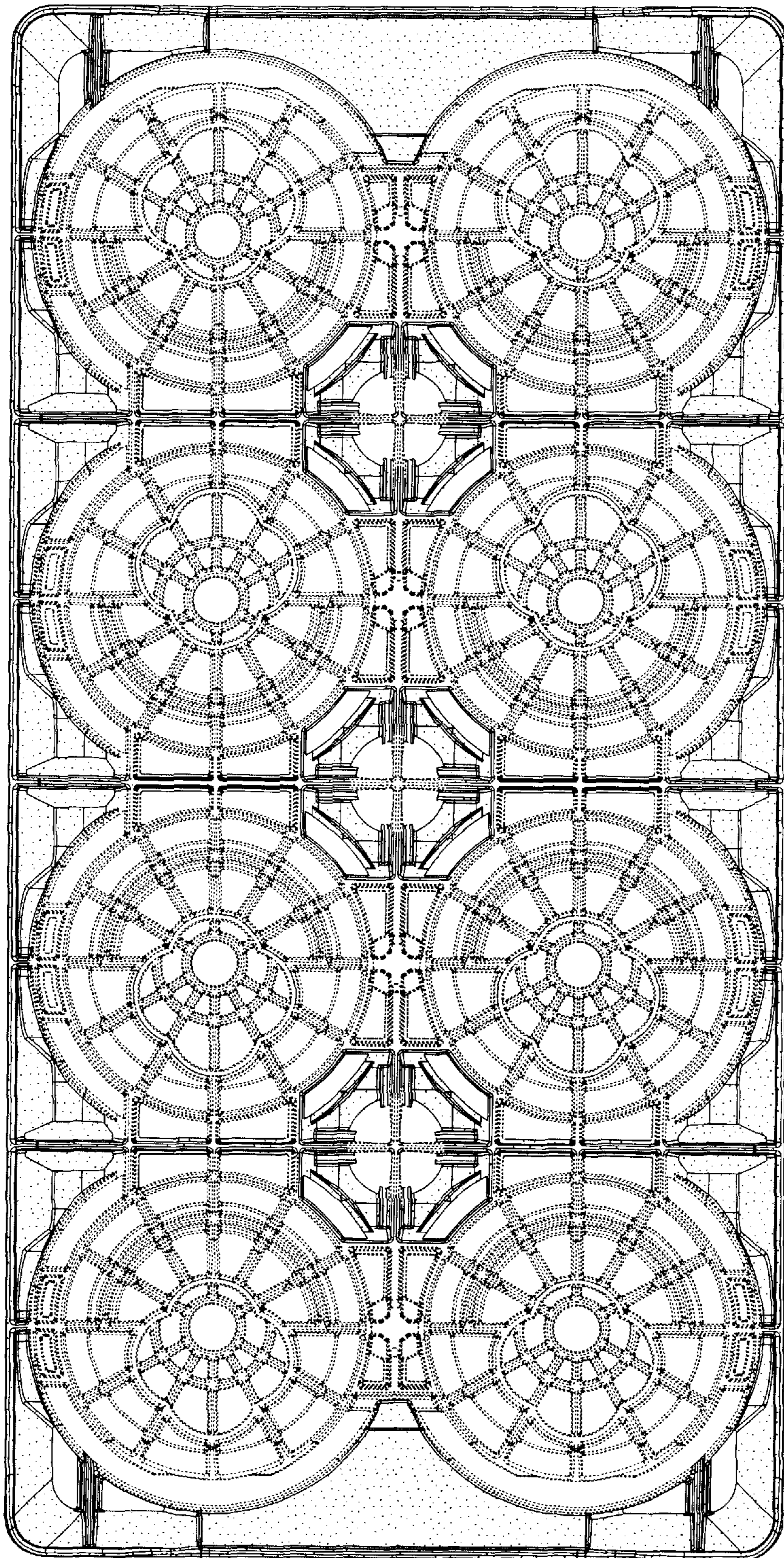
\* cited by examiner



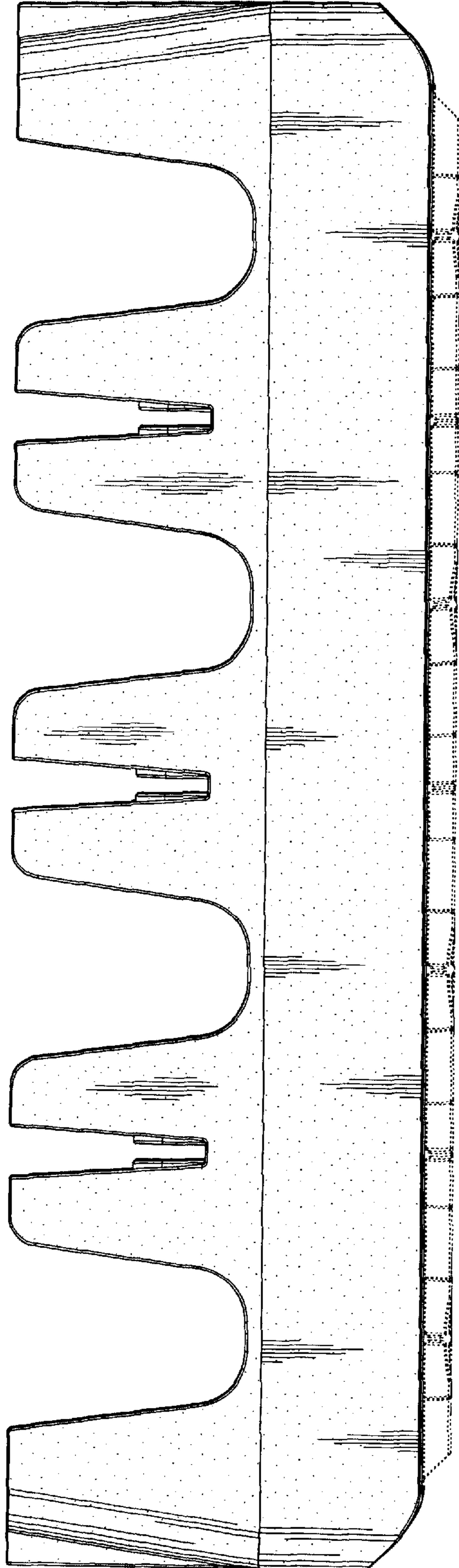
*Fig. 1*



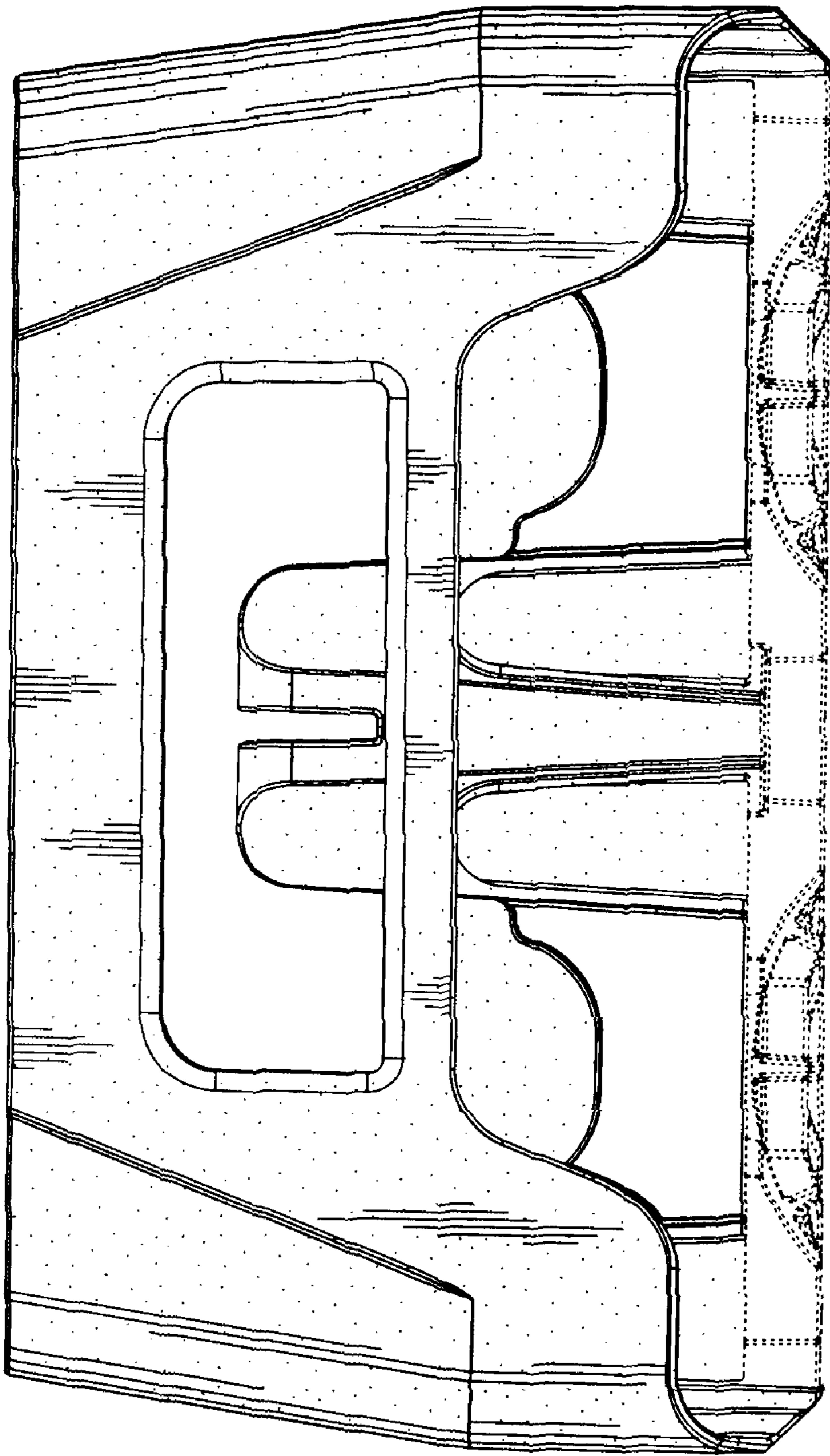
*Fig. 2*



*Fig. 3*



*Fig. 4*



*Fig. 5*