



US00D494866S1

(12) **United States Design Patent**
Guala

(10) **Patent No.:** **US D494,866 S**
(45) **Date of Patent:** **** Aug. 24, 2004**

(54) **SPRAYING HEAD**

(76) Inventor: **Stefano Guala**, Zona Industriale D5
I-15047, Spinetta Marengo (IT)

(**) Term: **14 Years**

(21) Appl. No.: **29/197,254**

(22) Filed: **Jan. 12, 2004**

Related U.S. Application Data

(62) Division of application No. 29/185,181, filed on Jun. 23,
2003.

(51) **LOC (7) Cl.** **09-07**

(52) **U.S. Cl.** **D9/448; D23/225**

(58) **Field of Search** D23/213, 226,
D23/225; D9/300, 448; 239/310, 312, 314,
316

(56) **References Cited**

U.S. PATENT DOCUMENTS

D256,271 S	*	8/1980	Tada	D23/226
D373,312 S	*	9/1996	Lin	D9/448
D400,102 S	*	10/1998	Tada	D9/448
D447,415 S	*	9/2001	Spengler	D9/448

* cited by examiner

Primary Examiner—Robin V. Taylor

(74) *Attorney, Agent, or Firm*—David A. Farah; Sheldon &
Mak PC

(57) **CLAIM**

The ornamental design of a spraying head, as shown and
described.

DESCRIPTION

FIG. 1 is a perspective view of a spraying head according to
my new design;

FIG. 2 is a front view of the spraying head shown in FIG. 1;

FIG. 3 is a right side view of the spraying head shown in
FIG. 1;

FIG. 4 is a back view of the spraying head shown in FIG. 1;
FIG. 5 is a left side view of the spraying head shown in FIG.
1;

FIG. 6 is a top view of the spraying head shown in FIG. 1;
FIG. 7 is a bottom view of a spraying head shown in FIG.
1;

FIG. 8 is a perspective view of a spraying head according to
another embodiment of my new design;

FIG. 9 is a front view of the spraying head shown in FIG. 8;

FIG. 10 is a right side view of the spraying head shown in
FIG. 8;

FIG. 11 is a back view of the spraying head shown in FIG.
8;

FIG. 12 is a left side view of the spraying head shown in
FIG. 8;

FIG. 13 is a top view of the spraying head shown in FIG. 8;

FIG. 14 is a bottom view of a spraying head shown in FIG.
8;

FIG. 15 is a perspective view of a spraying head according
to another embodiment of my new design;

FIG. 16 is a front view of the spraying head shown in FIG.
15;

FIG. 17 is a right side view of the spraying head shown in
FIG. 15;

FIG. 18 is a back view of the spraying head shown in FIG.
15;

FIG. 19 is a left side view of the spraying head shown in
FIG. 15;

FIG. 20 is a top view of the spraying head shown in FIG. 15;
and,

FIG. 21 is a bottom view of a spraying head shown in FIG.
15.

The embodiment shown in FIG. 1 and FIG. 7 is essentially
the same as the embodiment shown in FIG. 8 to FIG. 14, but
with a slightly altered version of the top front. The embodi-
ment shown in FIG. 8 to FIG. 14 is essentially the same as
the embodiment shown in FIG. 15 to FIG. 21, but with a
thinner center back portion as can best be seen comparing
FIGS. 8, 10, 11 and 12 with FIGS. 15, 17, 18 and 19,
respectively.

1 Claim, 12 Drawing Sheets

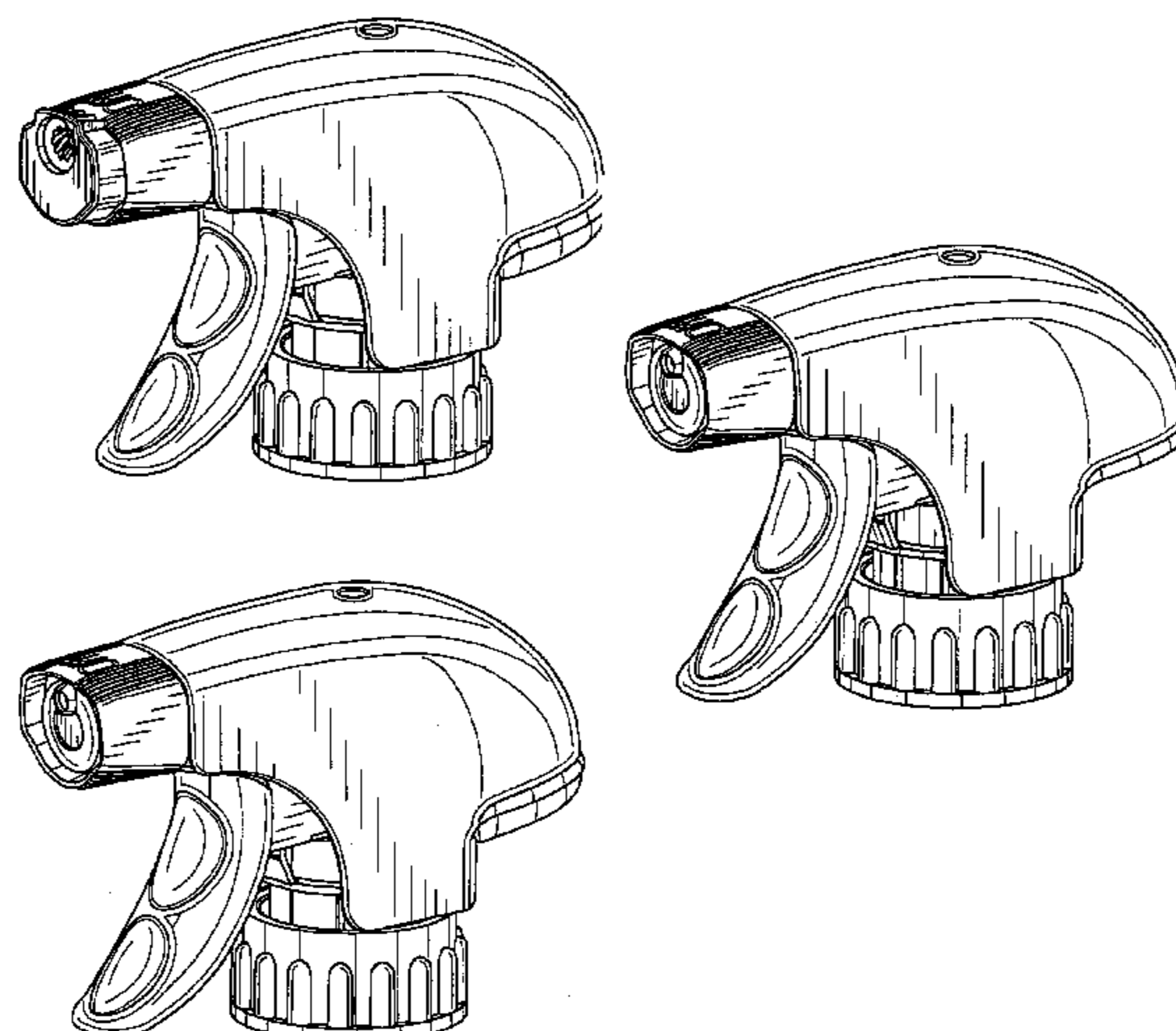


FIG. 1

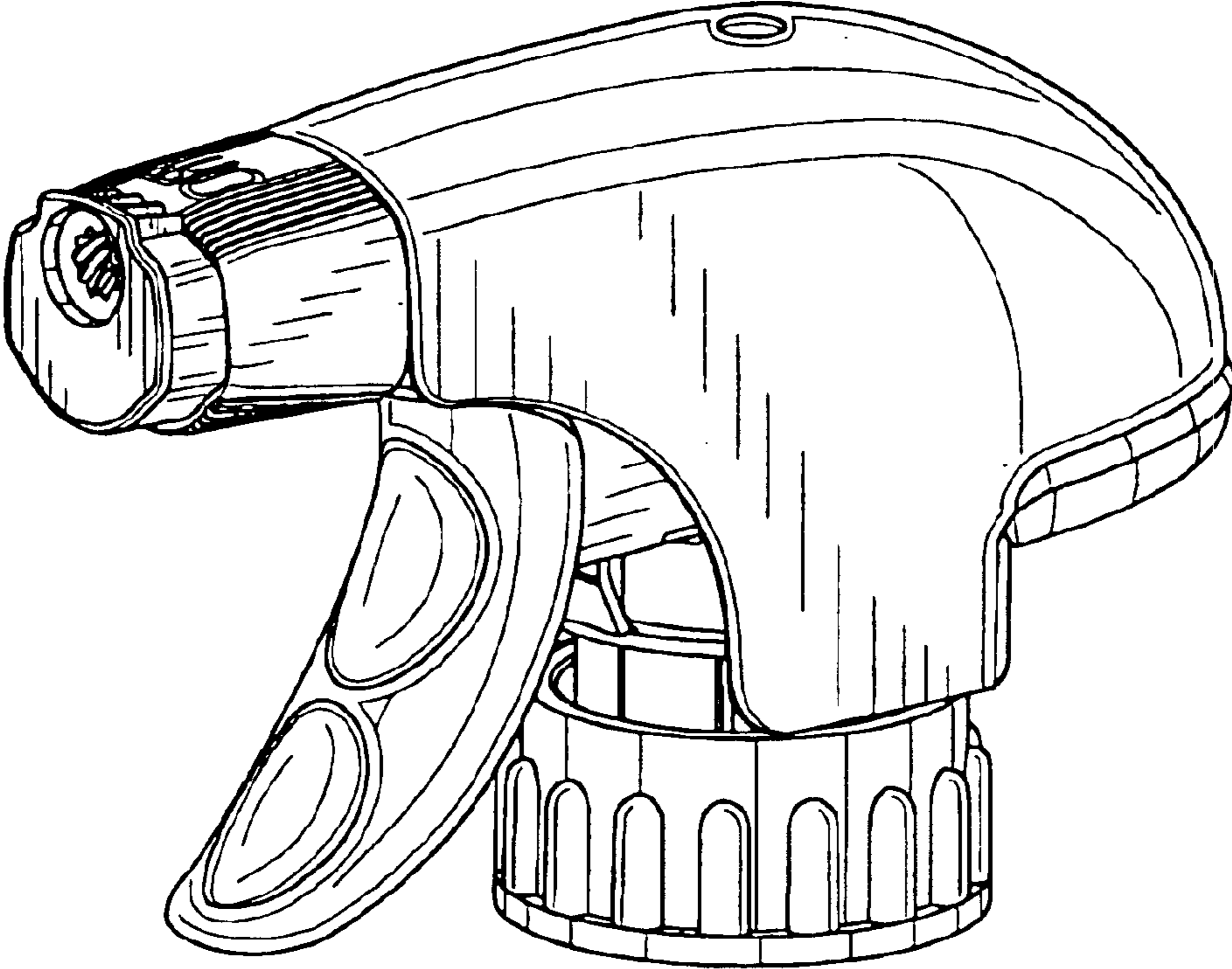


FIG.3

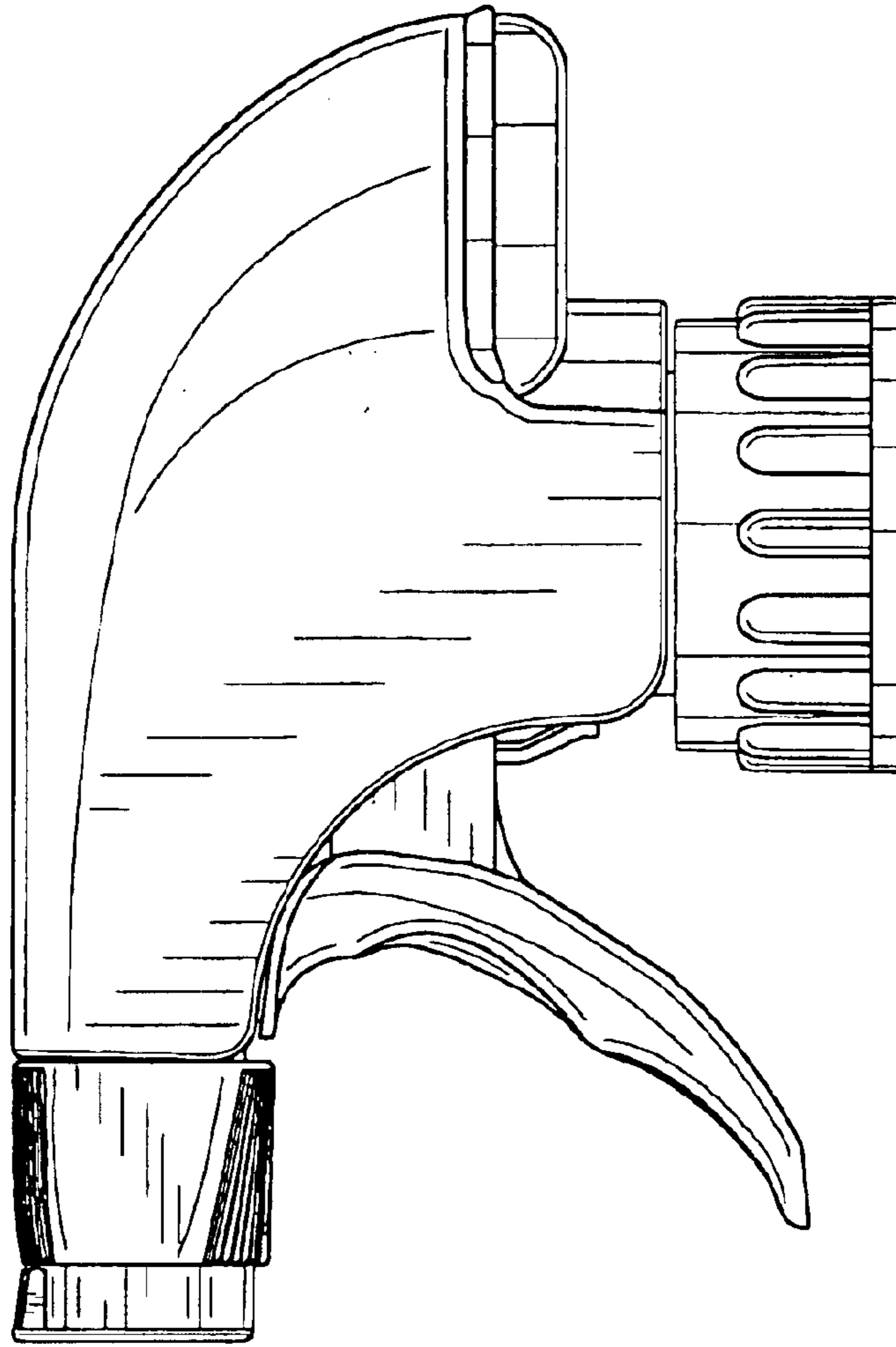


FIG.2

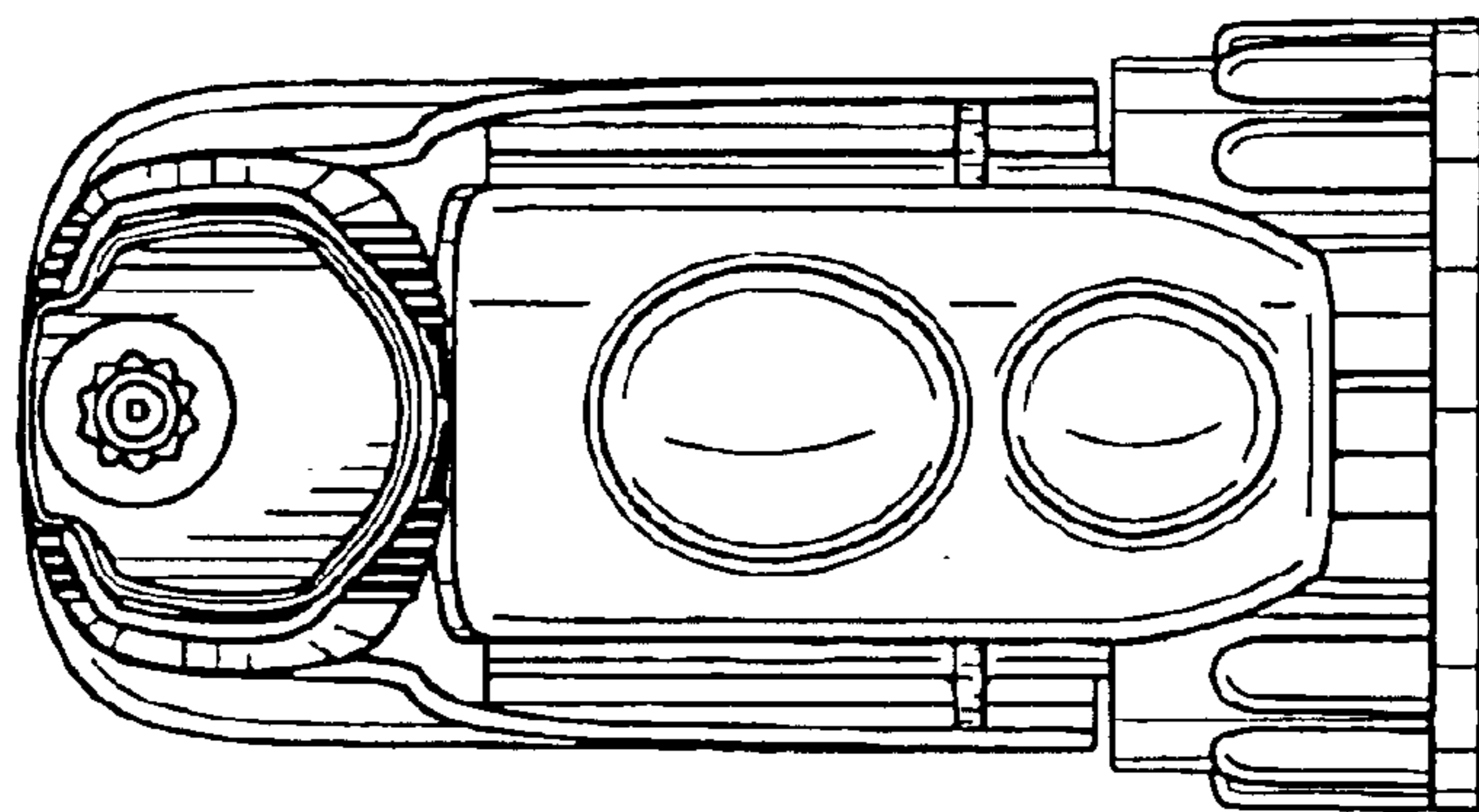


FIG.4

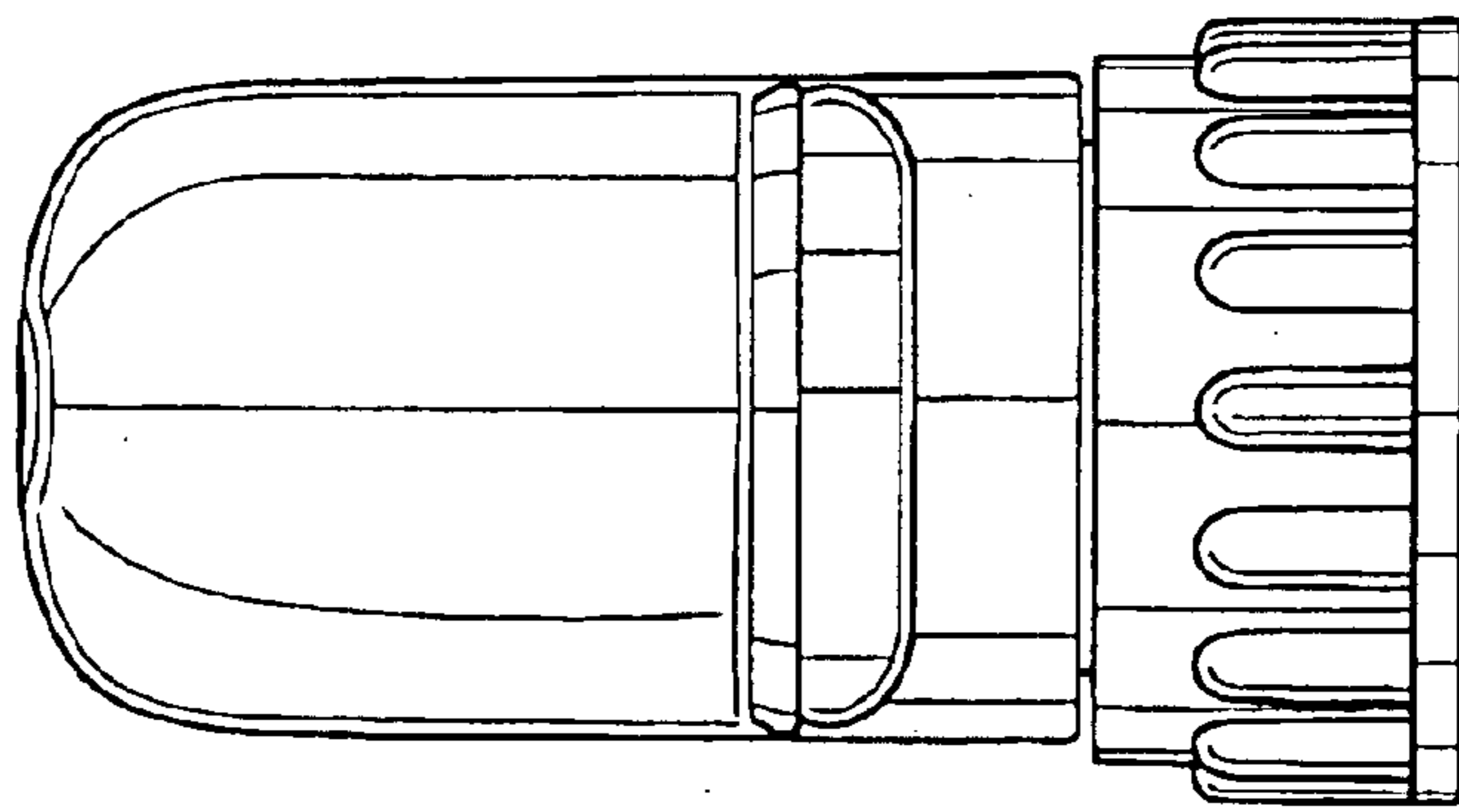


FIG.5

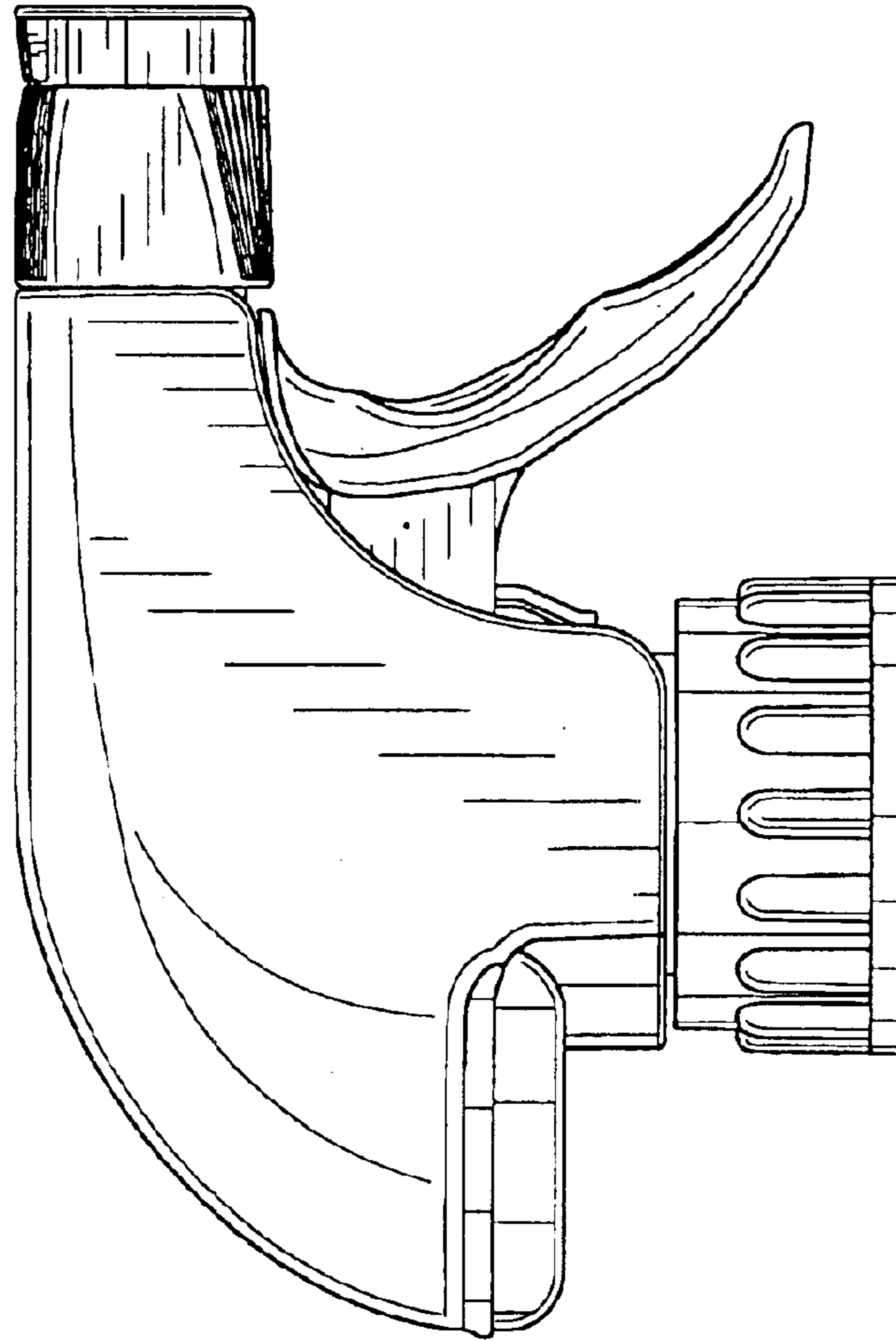


FIG. 7

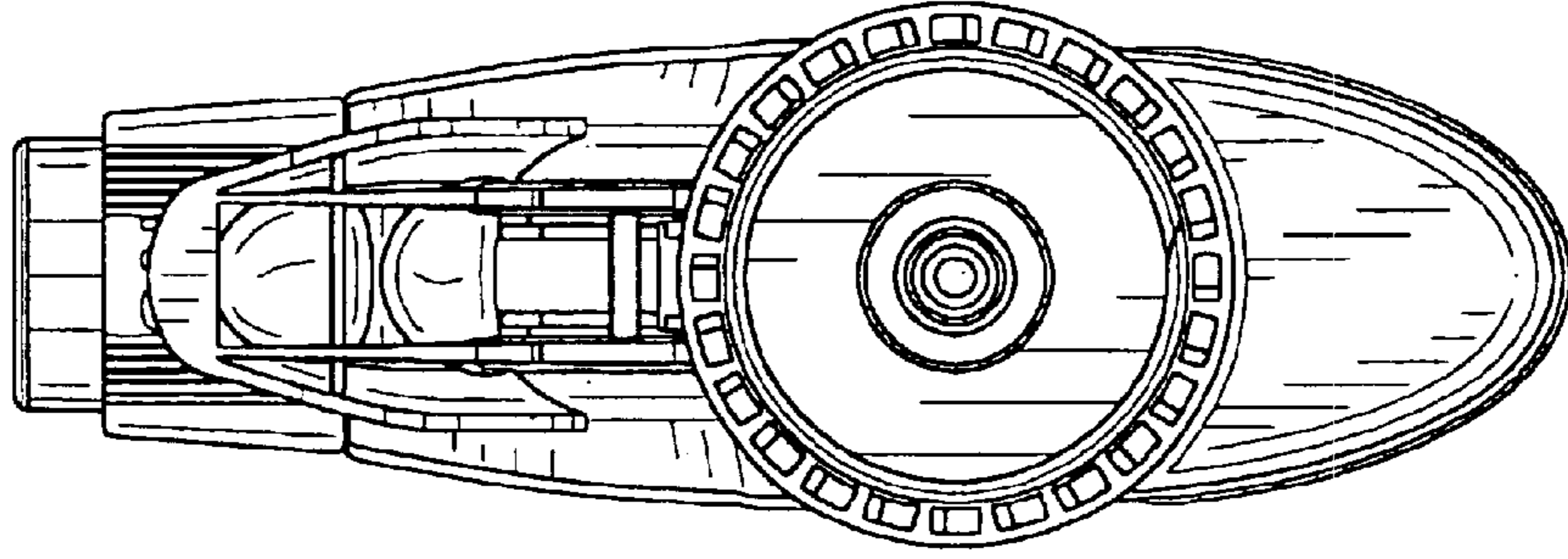


FIG. 6

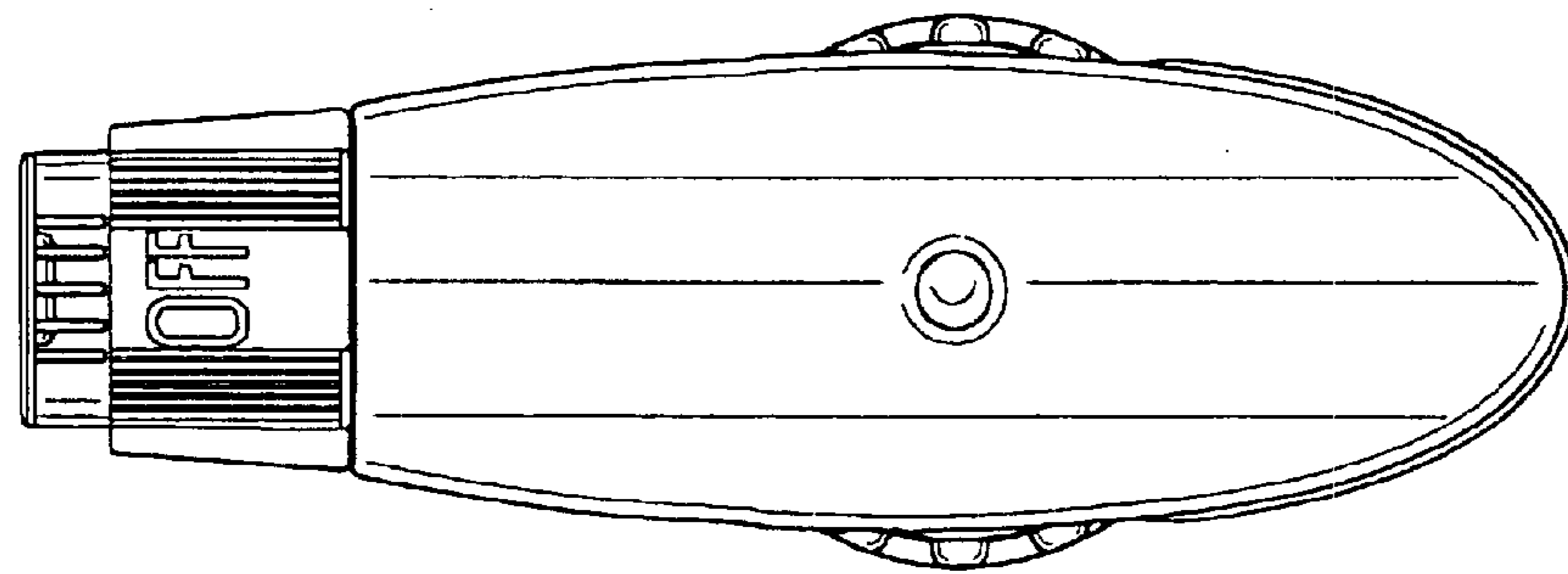


FIG. 8

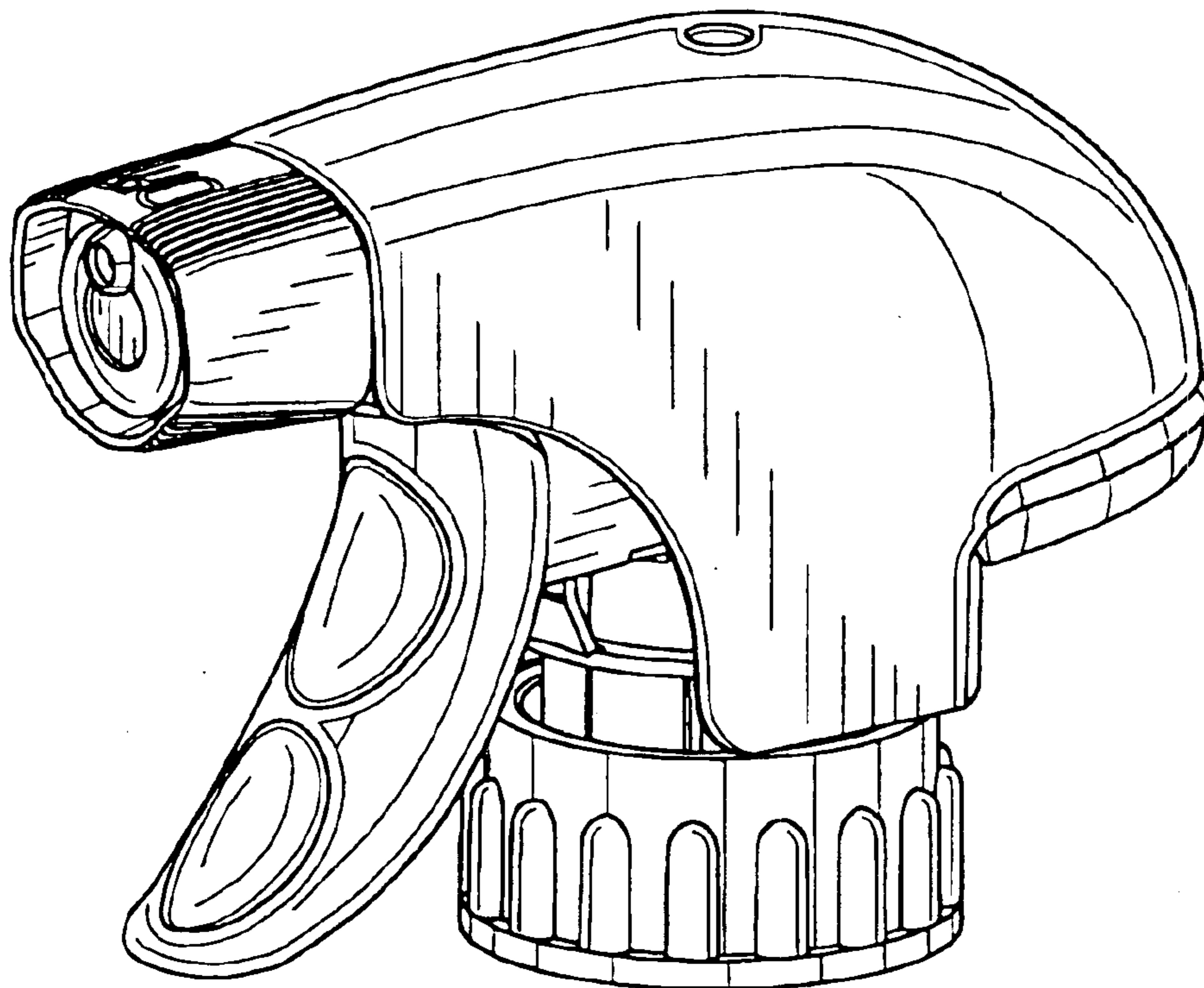


FIG. 10

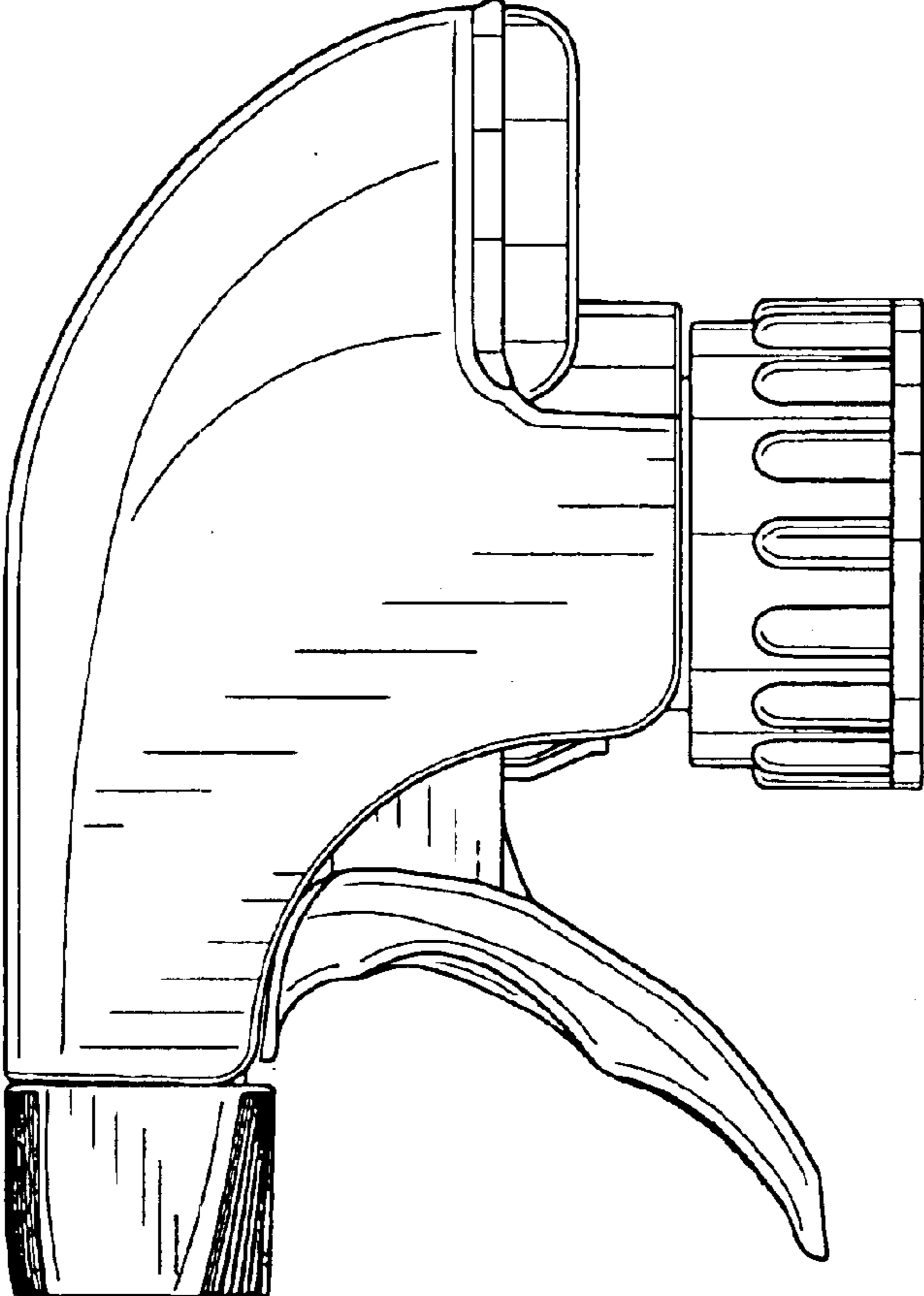


FIG. 9

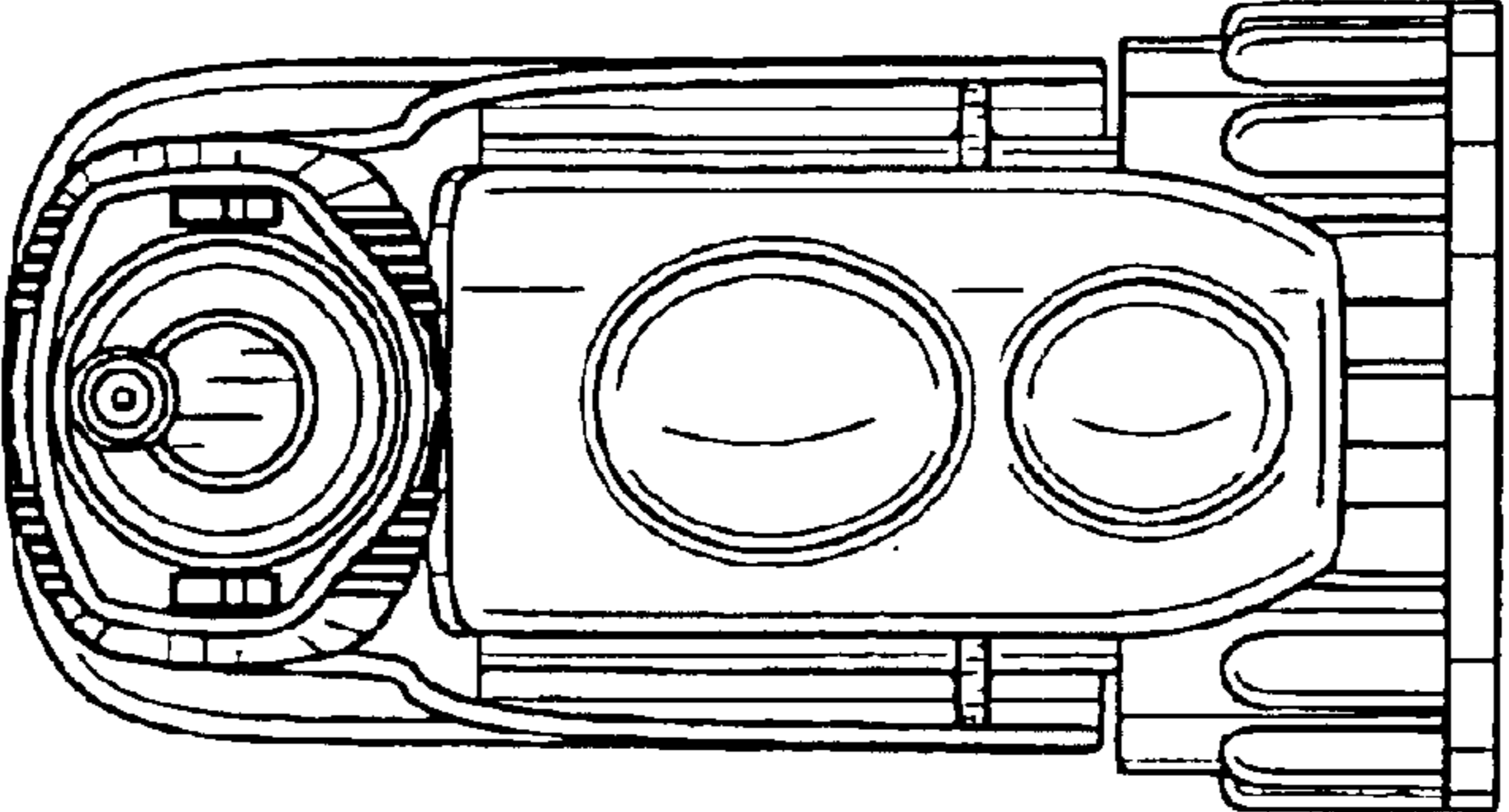


FIG.12

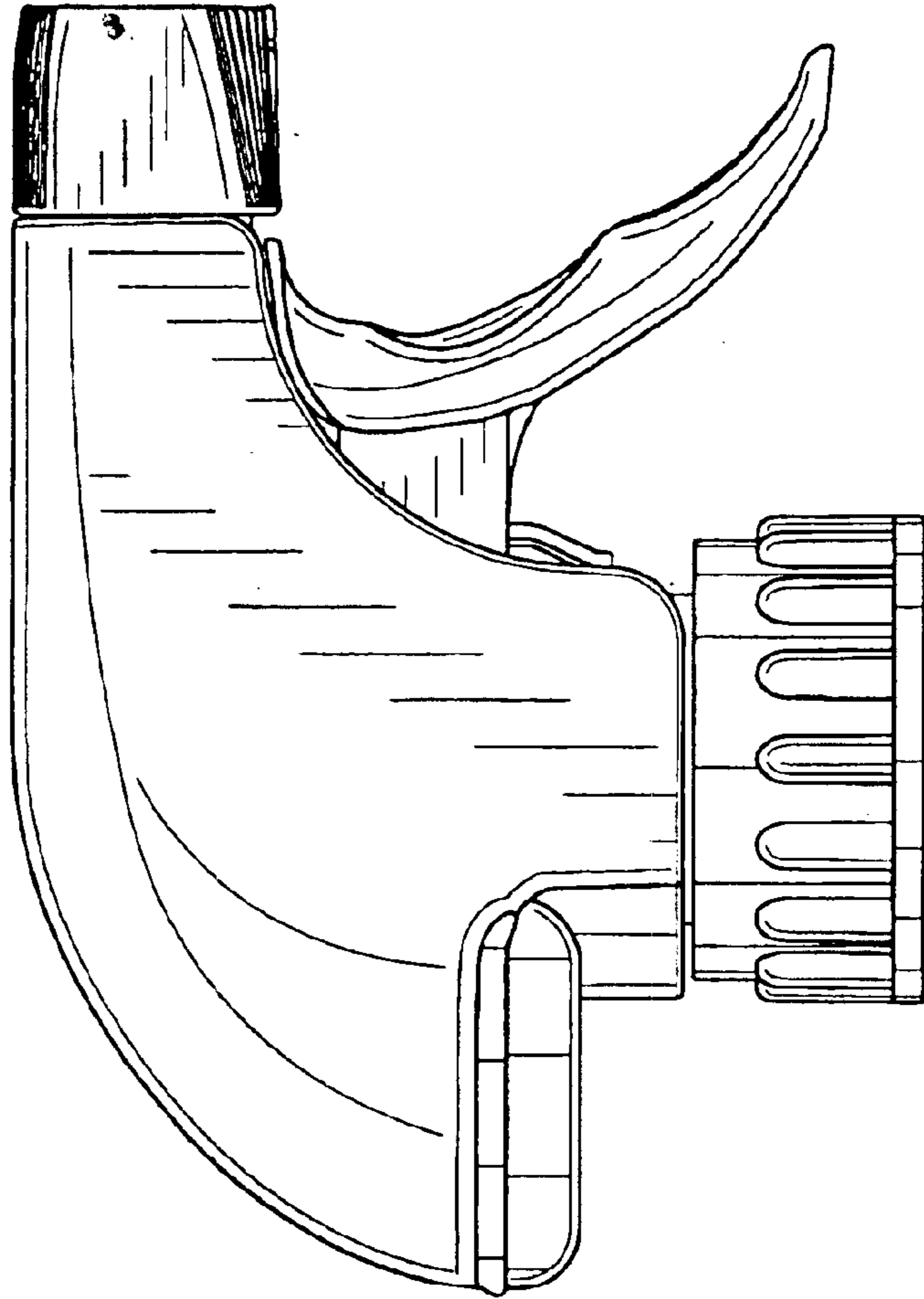


FIG.11

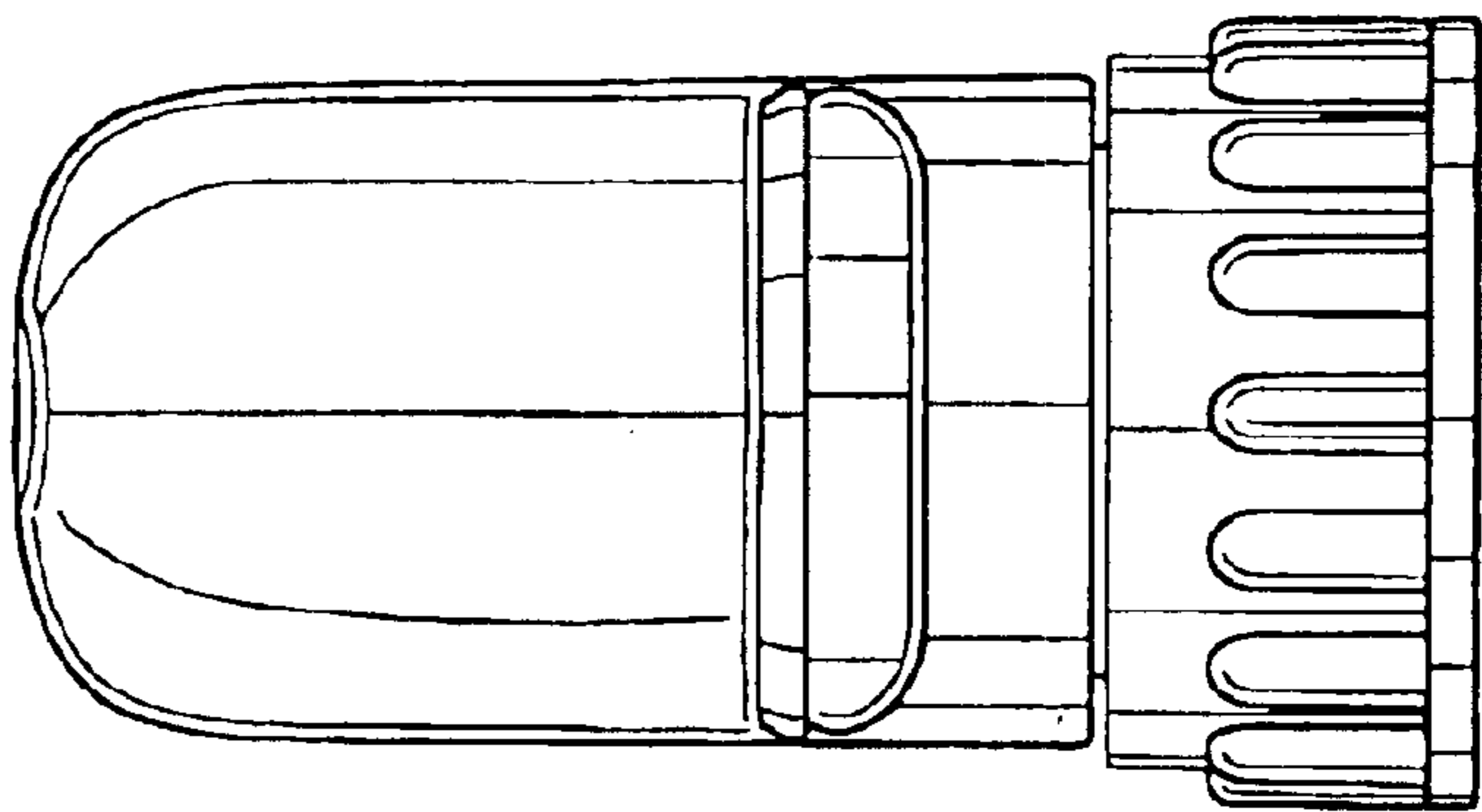


FIG. 14

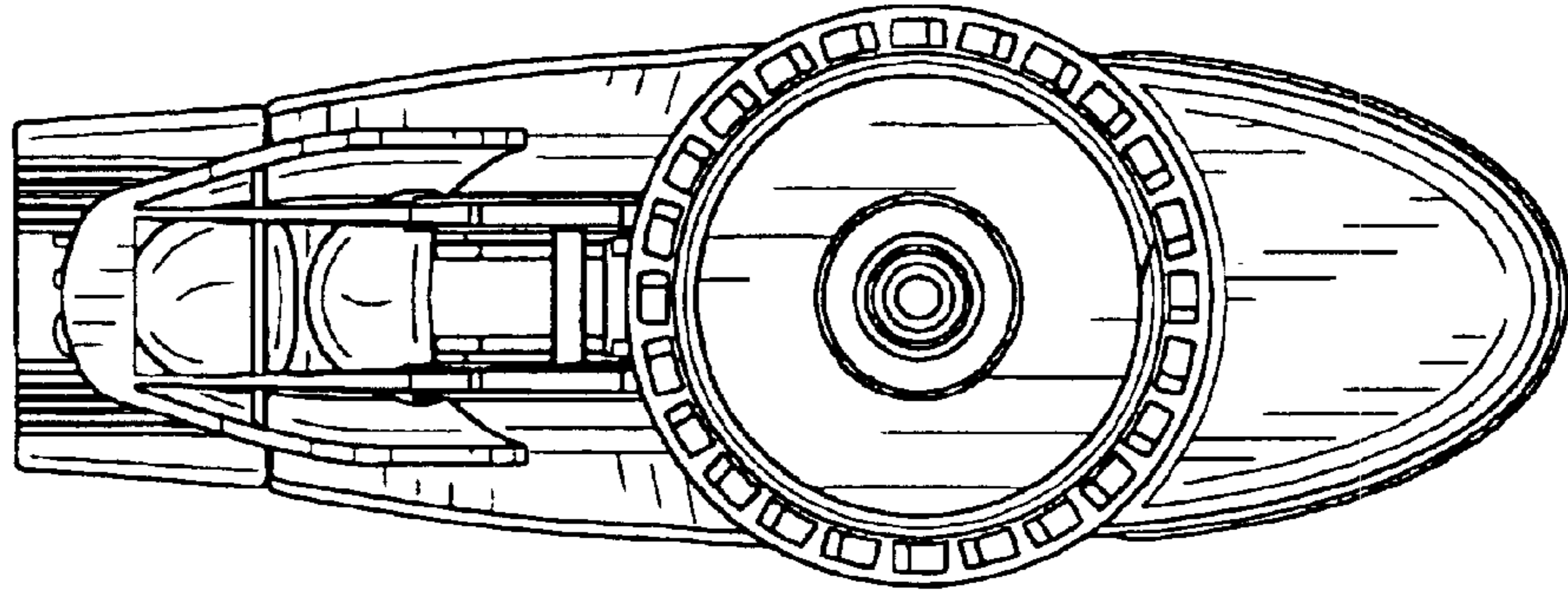


FIG. 13

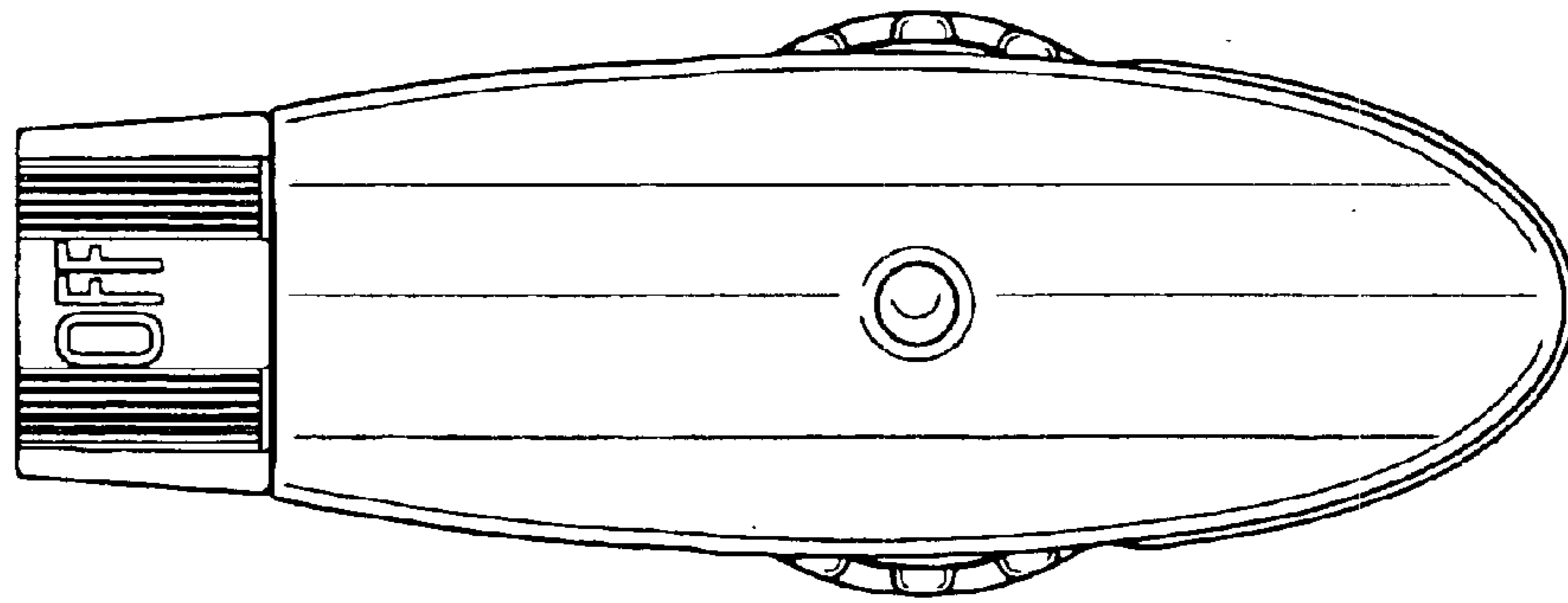


FIG. 15

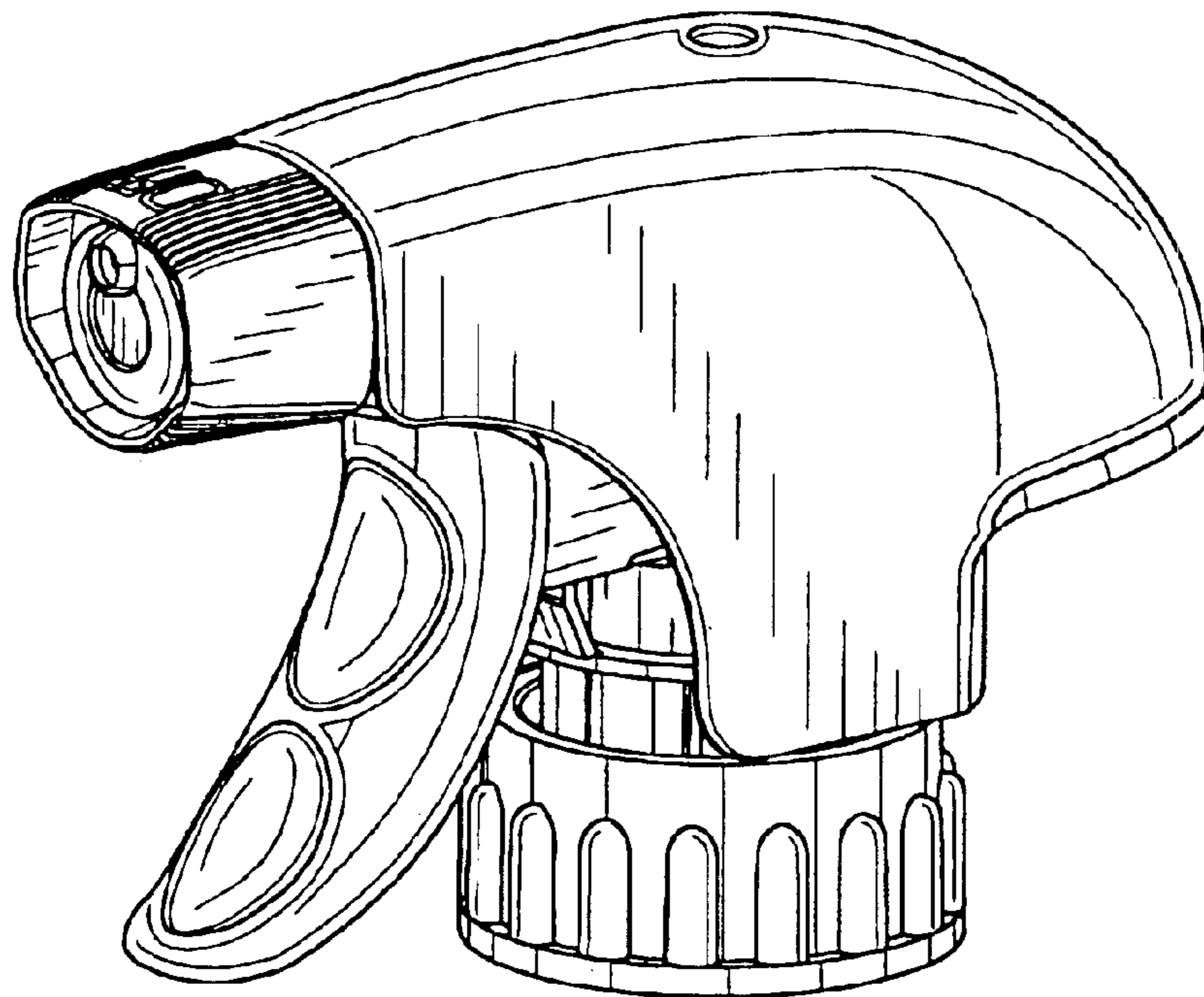


FIG.17

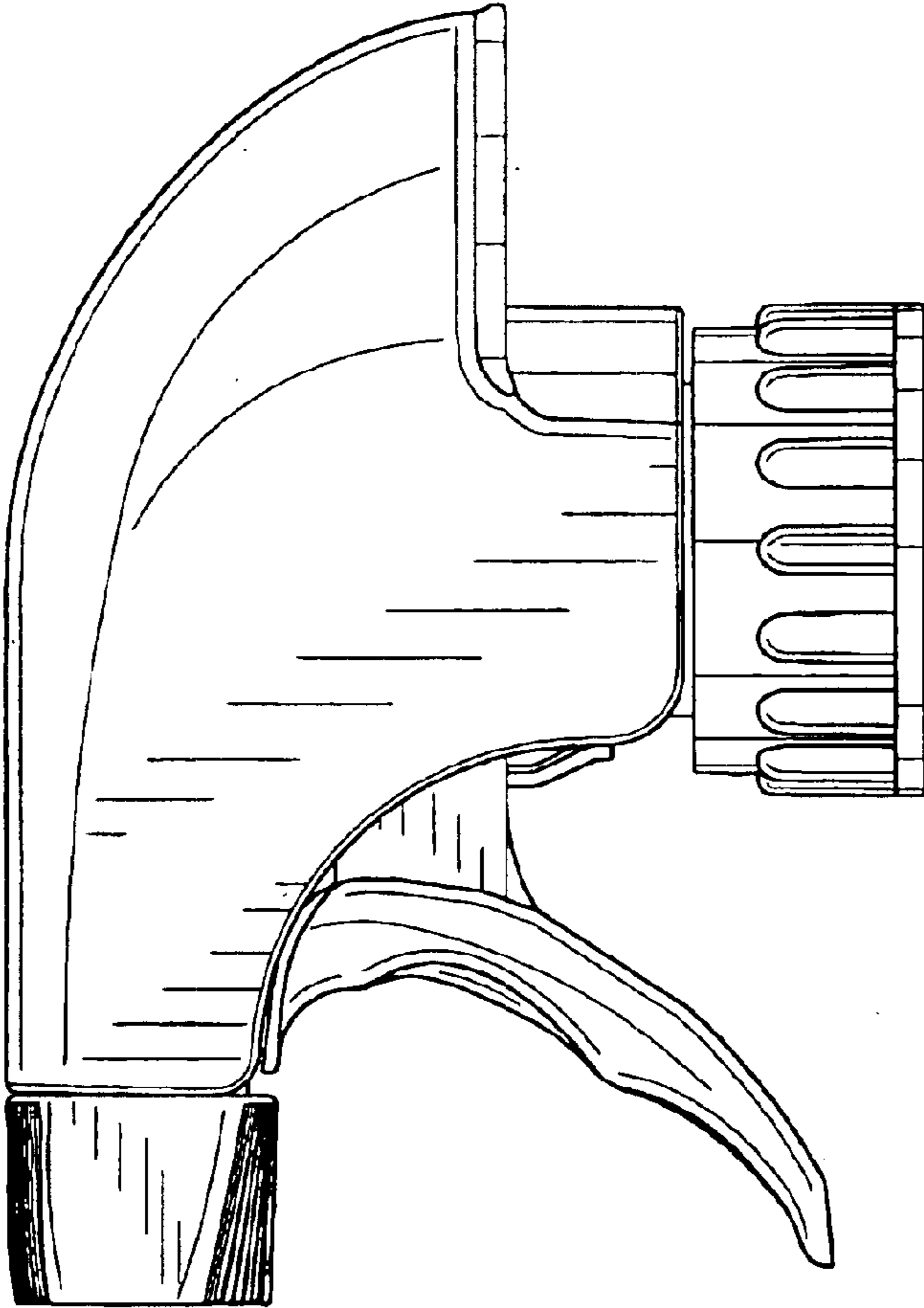


FIG.16

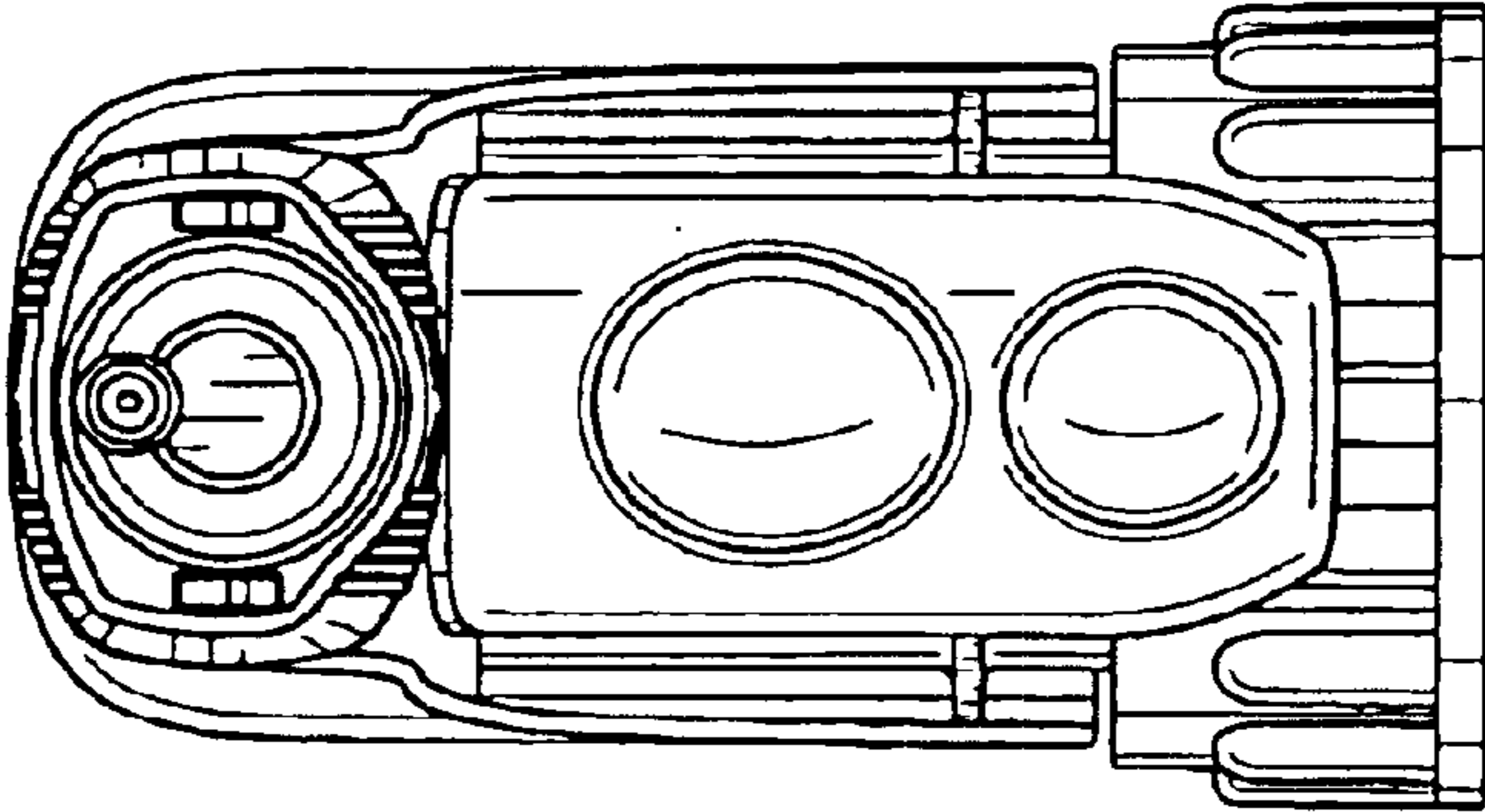


FIG.19

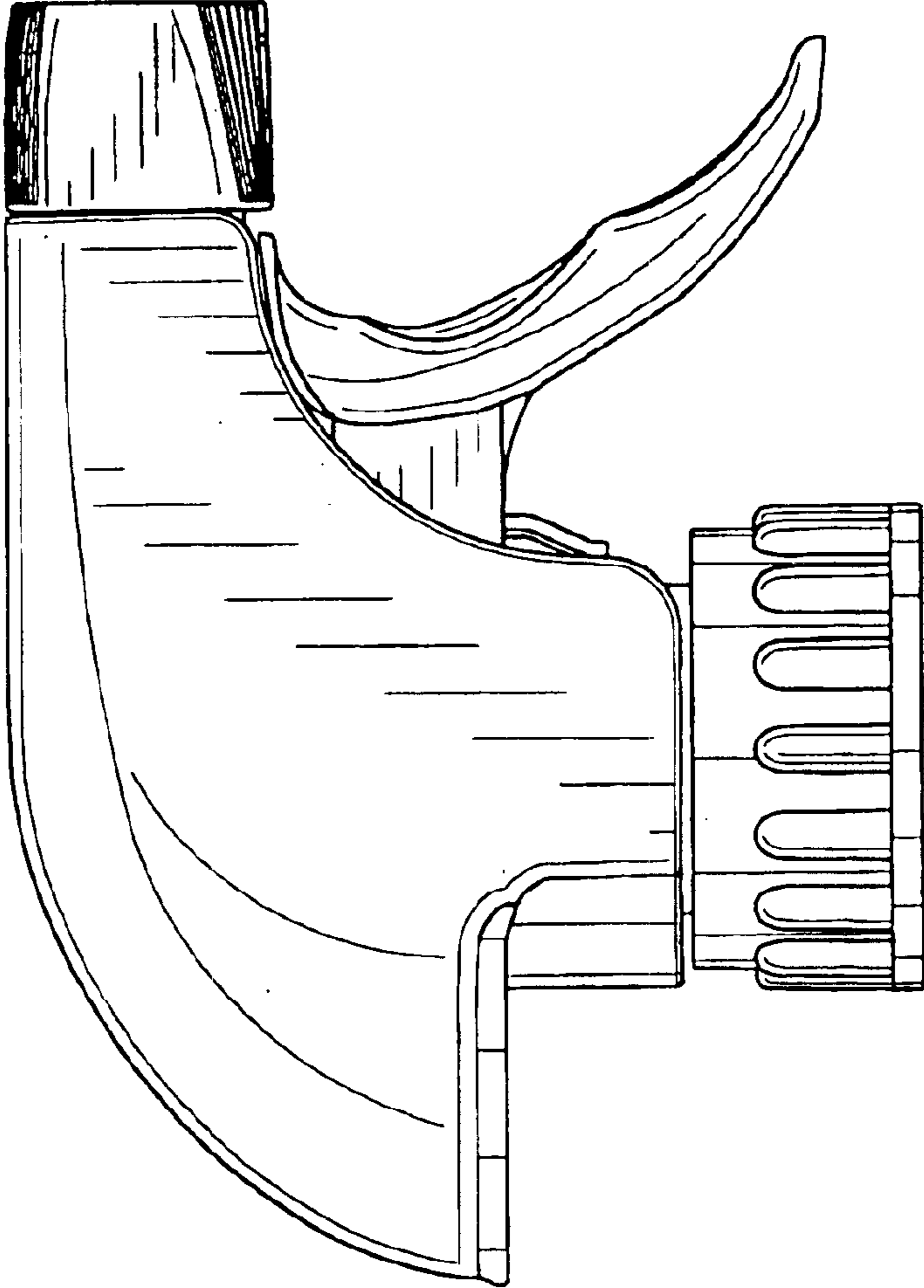


FIG.18

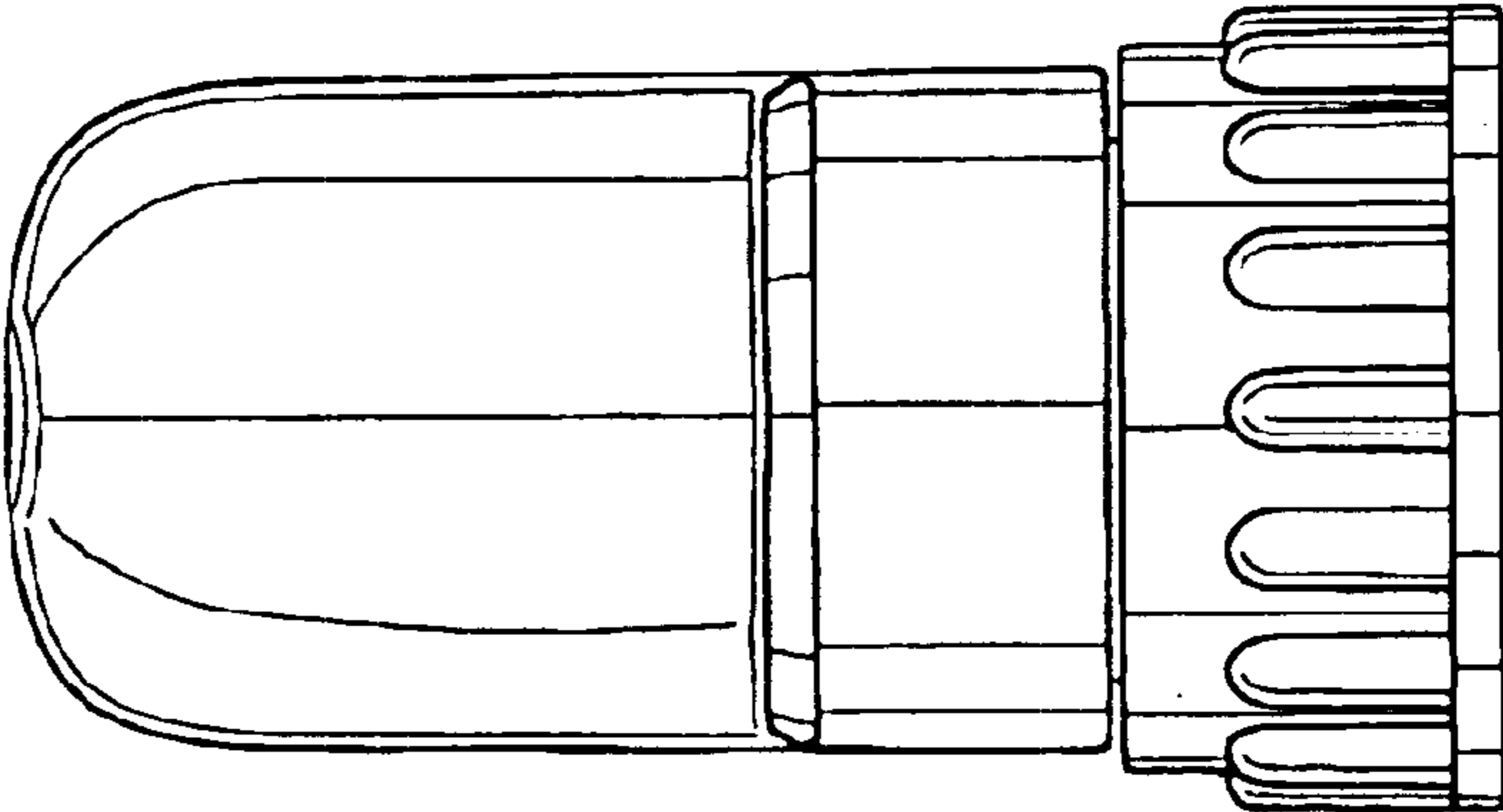


FIG. 21

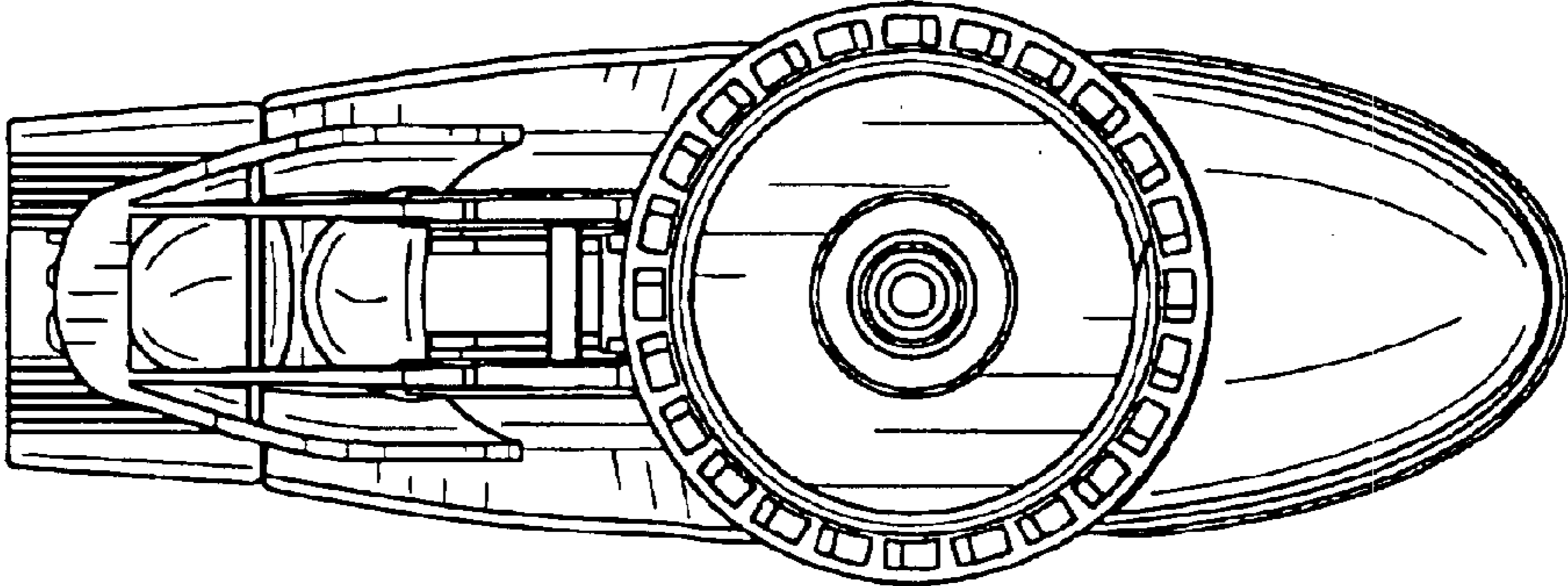


FIG. 20

