



US00D494865S1

(12) **United States Design Patent**  
**Taylor**

(10) **Patent No.:** **US D494,865 S**

(45) **Date of Patent:** **\*\* Aug. 24, 2004**

(54) **ACTUATION ASSISTANCE APPARATUS**

(76) **Inventor:** **Thomas A. Taylor**, 4548 E. County J,  
Beloit, WI (US) 53511

(\*\*) **Term:** **14 Years**

(21) **Appl. No.:** **29/188,874**

(22) **Filed:** **Aug. 26, 2003**

(51) **LOC (7) Cl.** ..... **09-07**

(52) **U.S. Cl.** ..... **D9/434; D9/435; D9/436;**  
**D9/443; D9/447; D9/449; D9/499**

(58) **Field of Search** ..... **D9/434, 435, 436,**  
**D9/443, 447, 449, 499, 448; 222/153.11,**  
**402.11, 402.13, 402.15, 402.21; 215/399;**  
**81/3.27**

(56) **References Cited**

**U.S. PATENT DOCUMENTS**

3,066,838	A	*	12/1962	Lloyd	.....	222/402.13
3,304,039	A	*	2/1967	Edelman et al.	.....	215/399
D209,485	S	*	12/1967	Muller	.....	D8/307
4,712,454	A	*	12/1987	Hull et al.	.....	81/3.27
D349,241	S	*	8/1994	Isaacson	.....	D9/443
6,173,870	B1	*	1/2001	Taylor	.....	222/402.15
D460,669	S	*	7/2002	Cizek	.....	D9/443

\* cited by examiner

*Primary Examiner*—Louis S. Zarfes

*Assistant Examiner*—Gregory Andoll

(74) *Attorney, Agent, or Firm*—Leydig, Voit & Mayer, Ltd.

(57) **CLAIM**

I claim the ornamental design for the actuation assistance apparatus, as shown and described.

**DESCRIPTION**

FIG. 1 is an isometric view, taken from the bottom left, of the actuation assistance apparatus of the present invention; FIG. 2 is an isometric view, taken from the top right, of the actuation assistance apparatus shown in FIG. 1;

FIG. 3 is a top view of the actuation assistance apparatus shown in FIG. 1;

FIG. 4 is a side view, taken from the right, of the actuation assistance apparatus shown in FIG. 1;

FIG. 5 is a side view, taken from the left, of the actuation assistance apparatus shown in FIG. 1 showing the side opposite that shown in FIG. 5;

FIG. 6 is a bottom view of the actuation assistance apparatus shown in FIG. 1.

FIG. 7 is a front view of the actuation assistance apparatus shown in FIG. 1; and,

FIG. 8 is a rear view of the actuation assistance apparatus shown in FIG. 1.

**1 Claim, 5 Drawing Sheets**

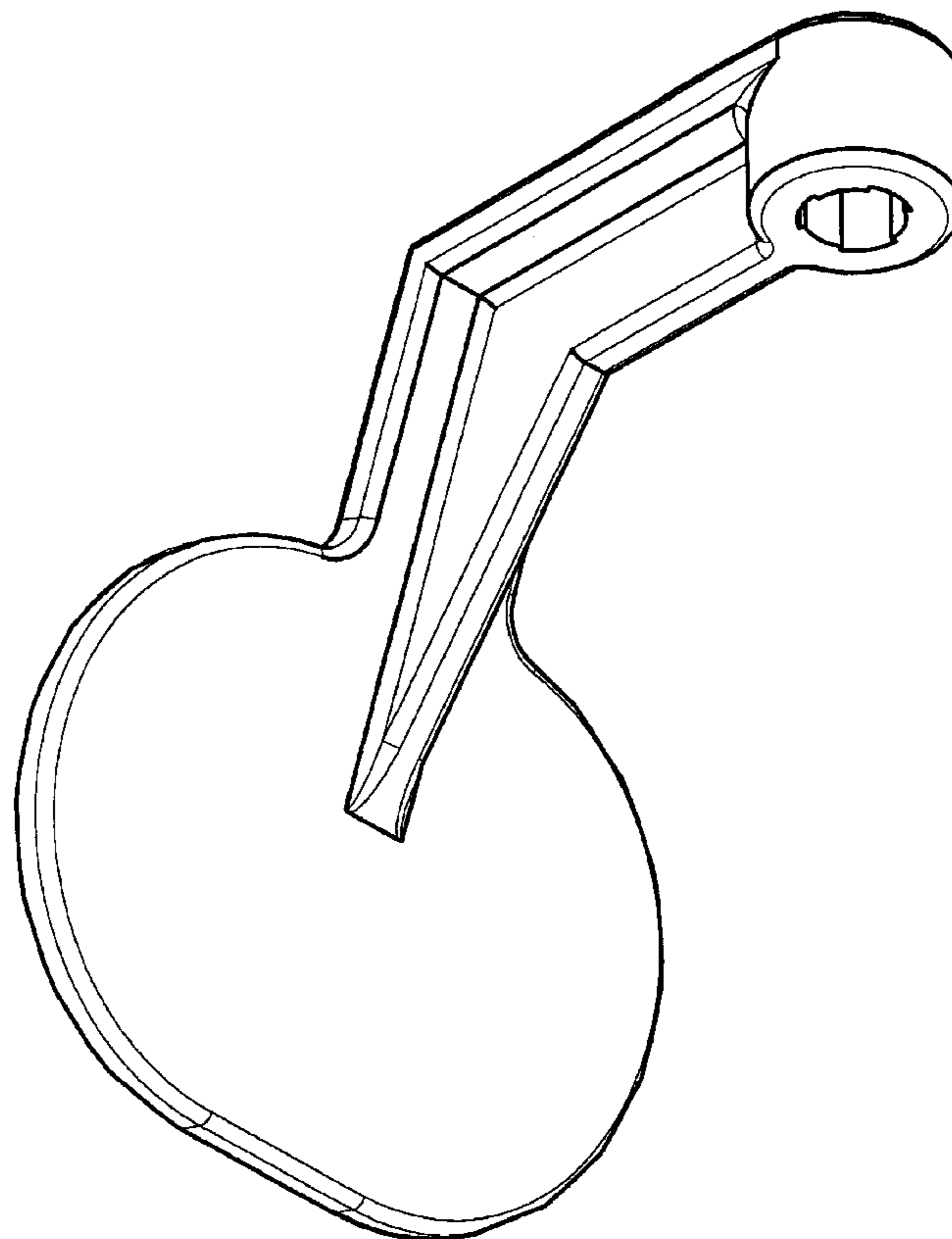


FIG. 1

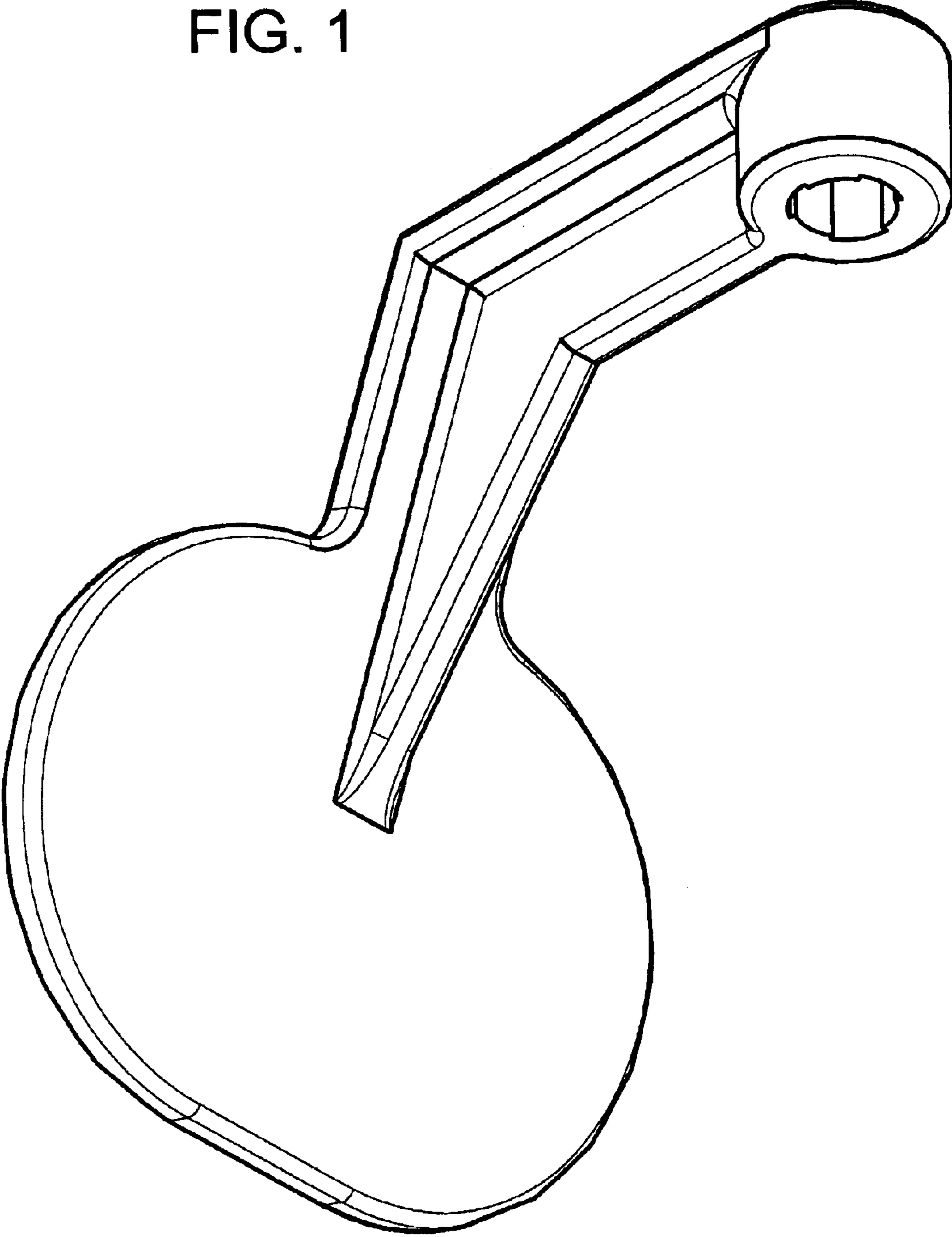


FIG. 2

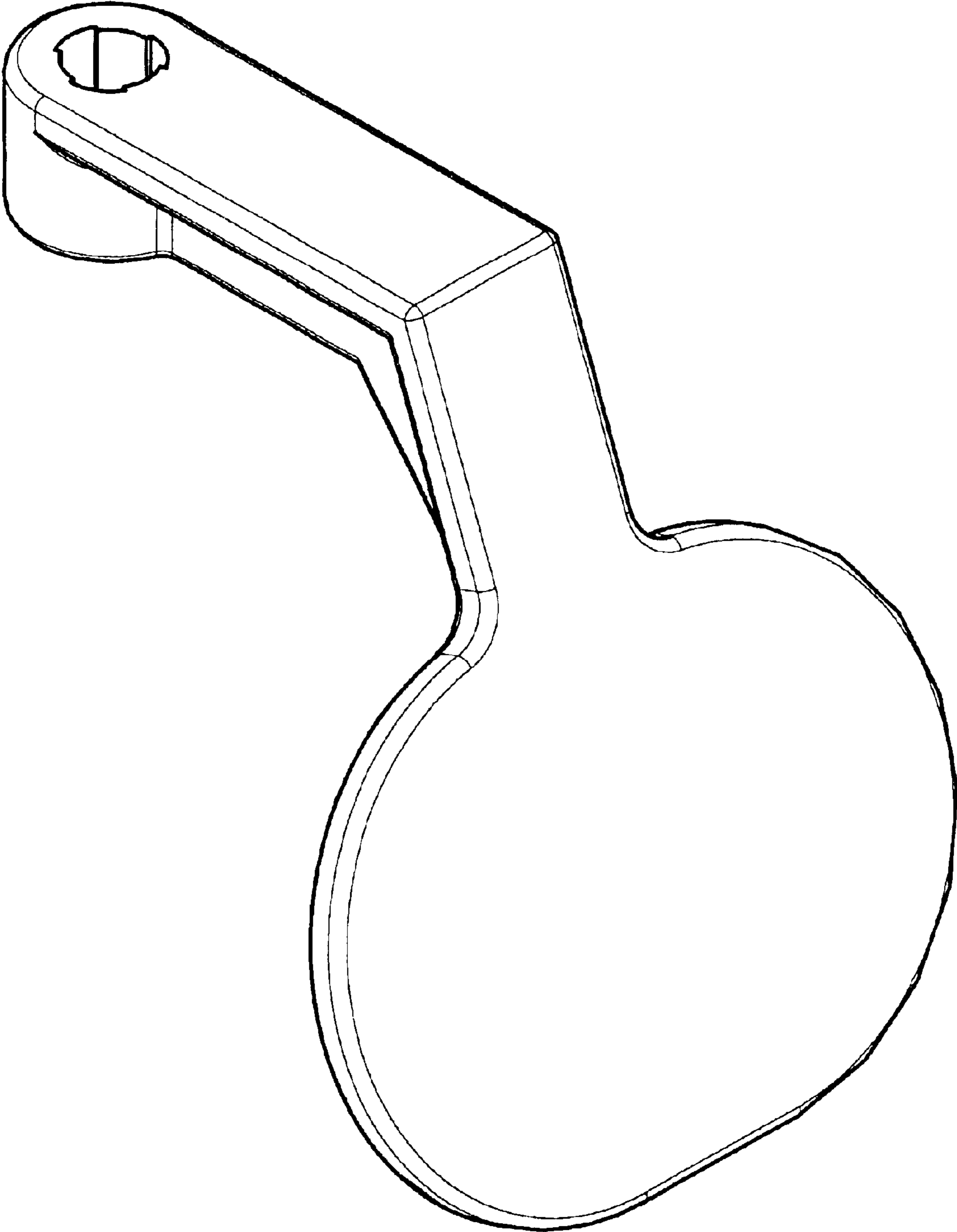


FIG. 3

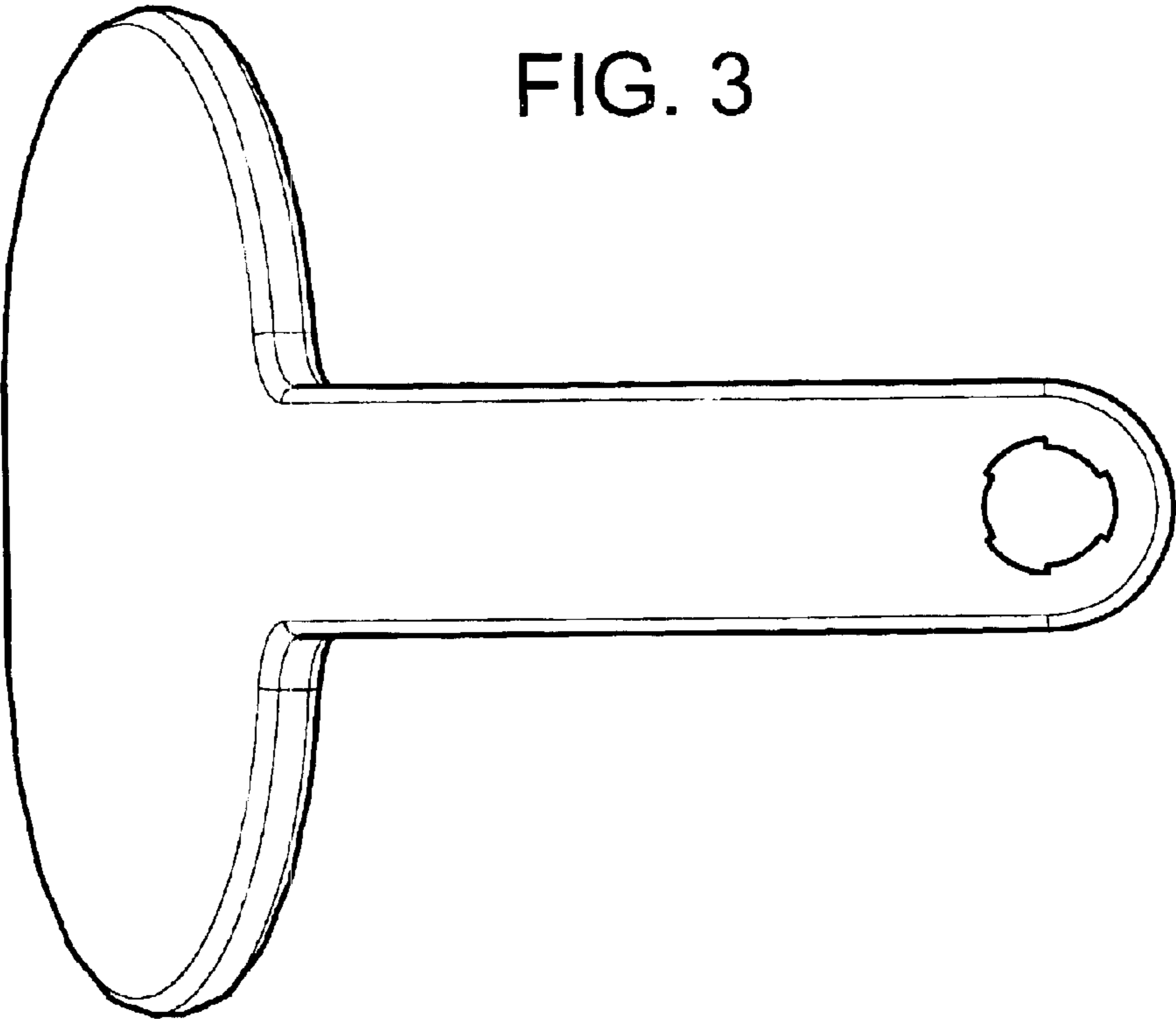
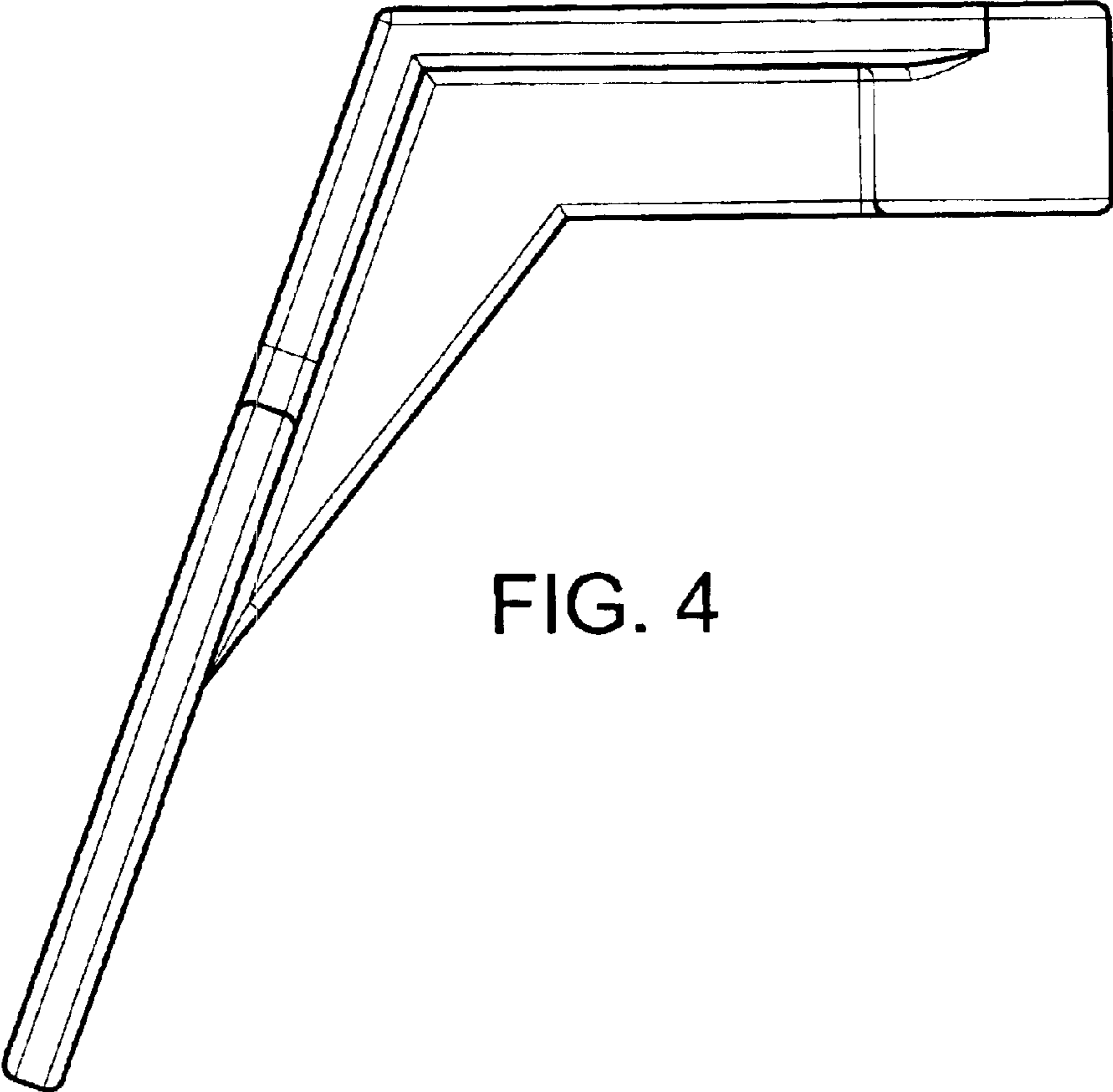


FIG. 4



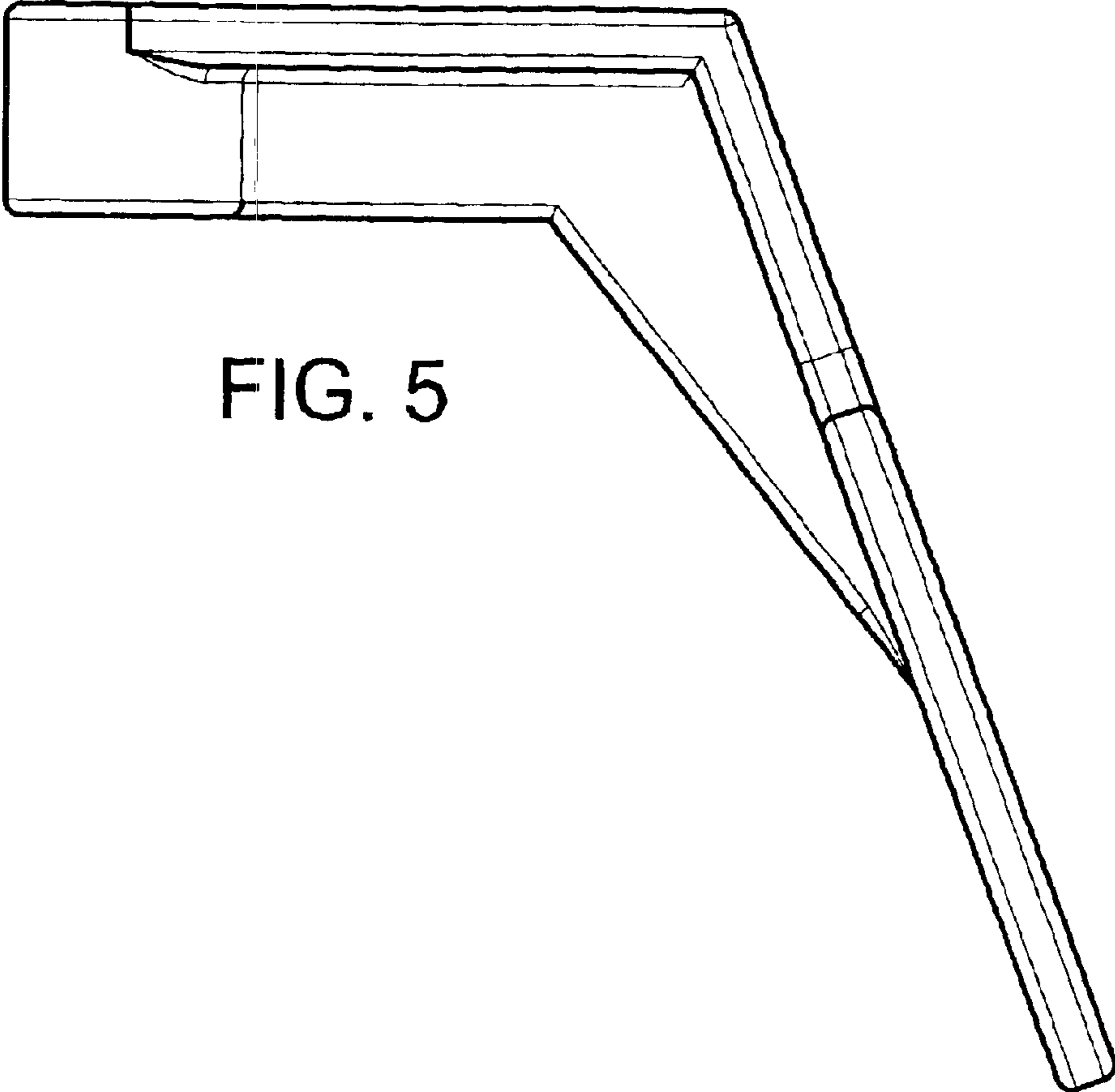


FIG. 5

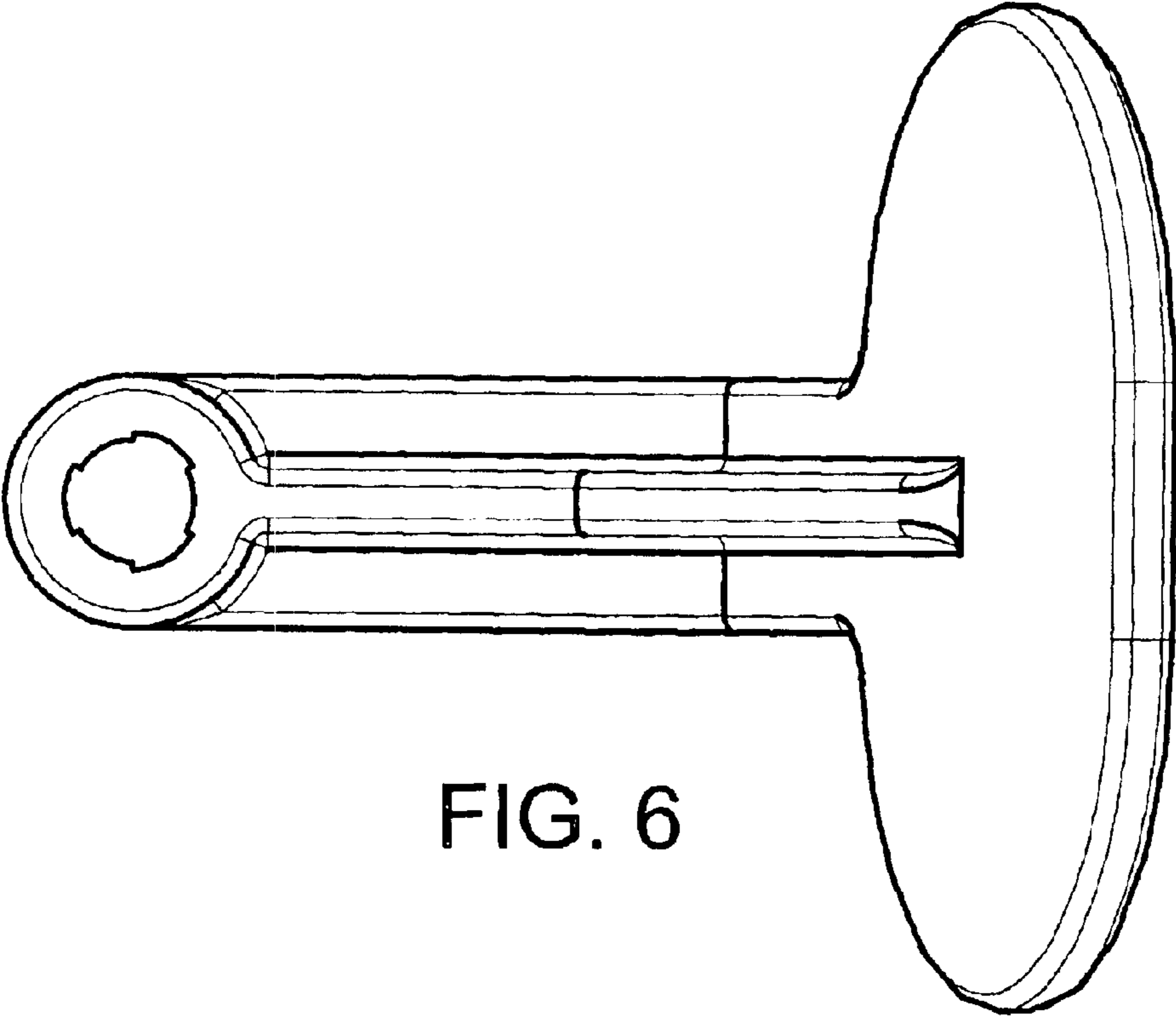


FIG. 6

FIG. 8

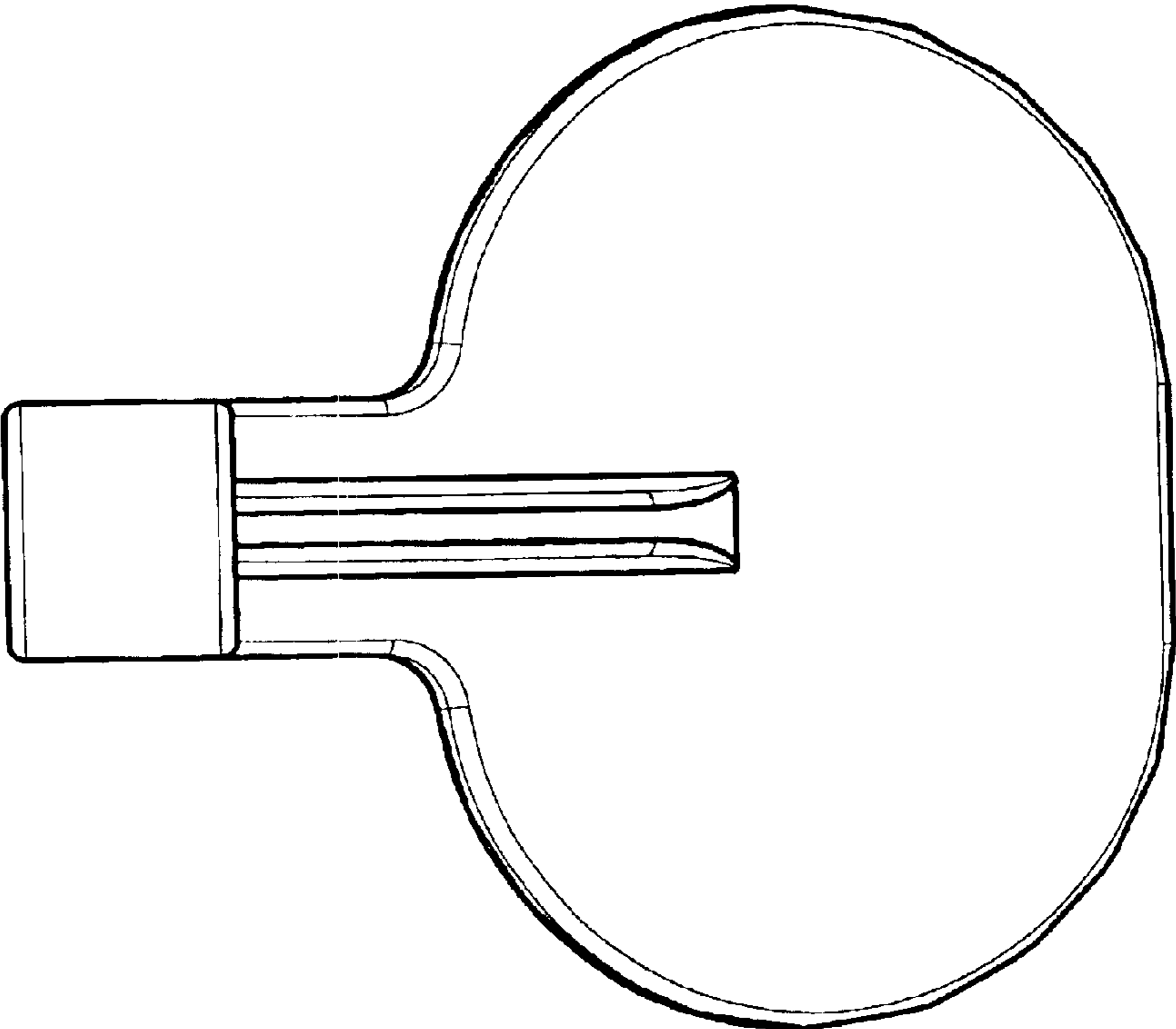


FIG. 7

